



US00D974498S

(12) **United States Design Patent**
Lentine

(10) **Patent No.:** **US D974,498 S**
(45) **Date of Patent:** **** Jan. 3, 2023**

(54) **STATIONARY EXERCISE BIKE**

(71) Applicant: **Lou Lentine**, Chattanooga, TN (US)

(72) Inventor: **Lou Lentine**, Chattanooga, TN (US)

(73) Assignee: **Echelon Fitness Multimedia LLC**,
Chattanooga, TN (US)

(**) Term: **15 Years**

(21) Appl. No.: **29/755,899**

(22) Filed: **Oct. 23, 2020**

(51) **LOC (14) Cl.** **21-02**

(52) **U.S. Cl.**
USPC **D21/663**

(58) **Field of Classification Search**
USPC D21/663, 667, 664, 697; D12/111, 114,
D12/117, 432, 538
See application file for complete search history.

(56) **References Cited**

U.S. PATENT DOCUMENTS

D308,235 S *	5/1990	Meisner	D21/667
D382,925 S *	8/1997	Wu	D21/667
D430,240 S *	8/2000	Chang	D21/663
D586,409 S *	2/2009	Keiser	D21/667
D643,887 S *	8/2011	Keiser	A63B 21/0051
				D21/667
D836,733 S *	12/2018	Curbbun	D21/667
10,799,755 B2 *	10/2020	Cristofori	A63B 23/0476
2010/0248902 A1 *	9/2010	Ge	A63B 22/0089
				482/51
2014/0038781 A1 *	2/2014	Foley	A63F 13/798
				482/9
2014/0221168 A1 *	8/2014	Chen	A63B 22/06
				482/64

FOREIGN PATENT DOCUMENTS

CN	303521828	*	7/2015
CN	304614081	*	1/2018
CN	304913717	*	7/2018

OTHER PUBLICATIONS

Echlon, announced 2019[online], [site visited Feb. 8, 2022]. Available on internet, URL:https://www.amazon.com/Echelon-Connect-EX5-S/dp/B07XGN9G8W/ref (Year: 2019).*

Sunny health fitness, 2018[online], [site visited Feb. 8, 2022]. Available on internet, URL:https://www.amazon.com/Sunny-Health-Fitness-Magnetic-Capacity/dp/B07HL5RHXY/ref (Year: 2018).*

Bluefin fitness, 2020[online], [site visited Feb. 8, 2022]. Available on internet, URL:https://www.amazon.com/Bluefin-Fitness-Equipment-Streaming-Smartphone/dp/B07SPMGDYB/ref (Year: 2020).*

Sunny health fitness, 2017[online], [site visited Feb. 8, 2022]. Available on internet, URL:https://www.amazon.com/Sunny-Health-Fitness-Lancer-Exercise/dp/B074PY8XWK/ref (Year: 2017).*

* cited by examiner

Primary Examiner — Khawaja Anwar

Assistant Examiner — Julice Seung Eun Oum

(74) *Attorney, Agent, or Firm* — Larry D. Johnson

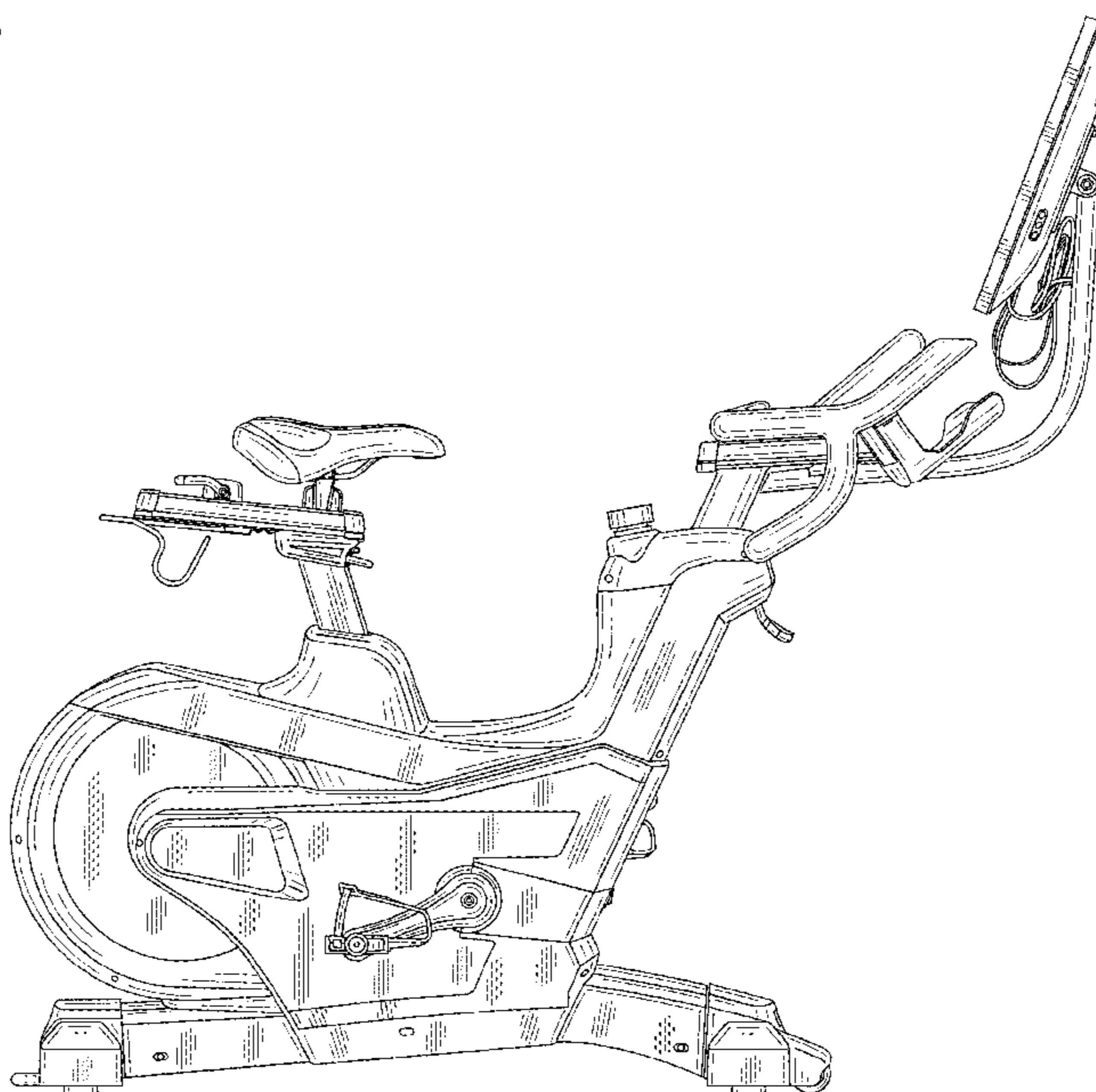
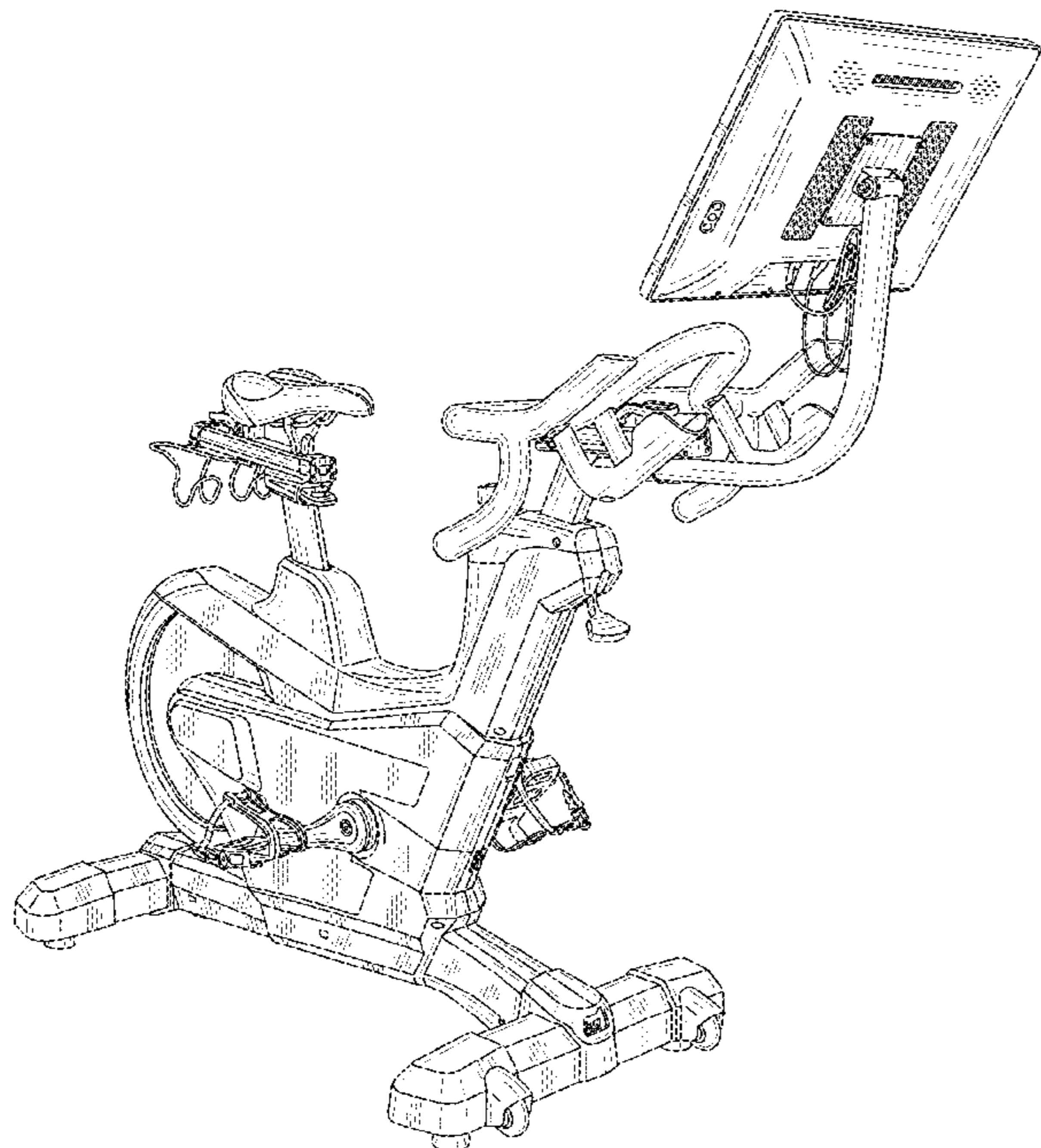
(57) **CLAIM**

The ornamental design for a stationary exercise bike, as shown and described.

DESCRIPTION

FIG. 1 is a perspective view thereof;
 FIG. 2 is a right side elevation view thereof;
 FIG. 3 is a left side elevation view thereof;
 FIG. 4 is a front elevation view thereof; and,
 FIG. 5 is a rear elevation view thereof.

1 Claim, 5 Drawing Sheets



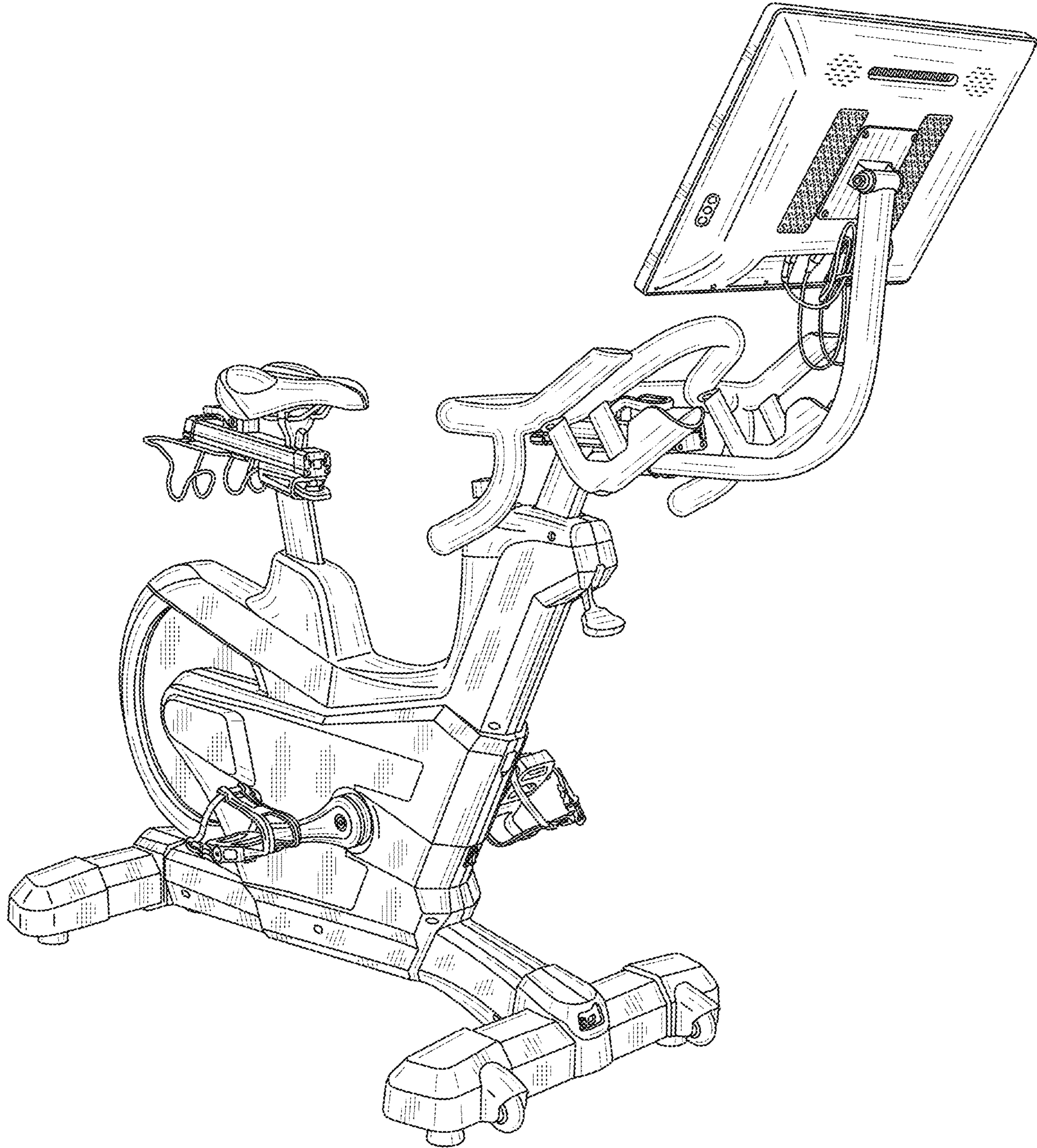


FIG. 1

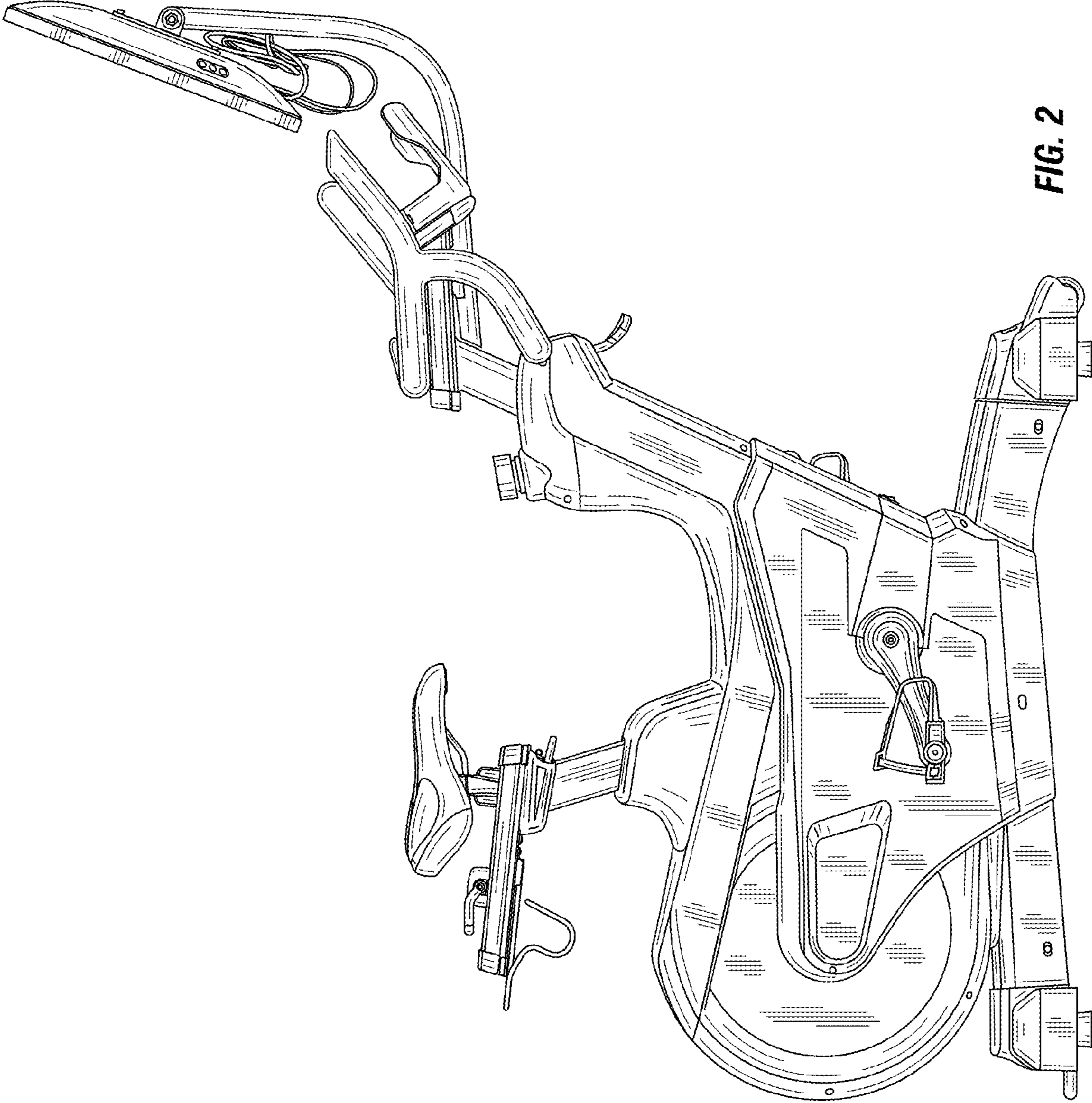


FIG. 2

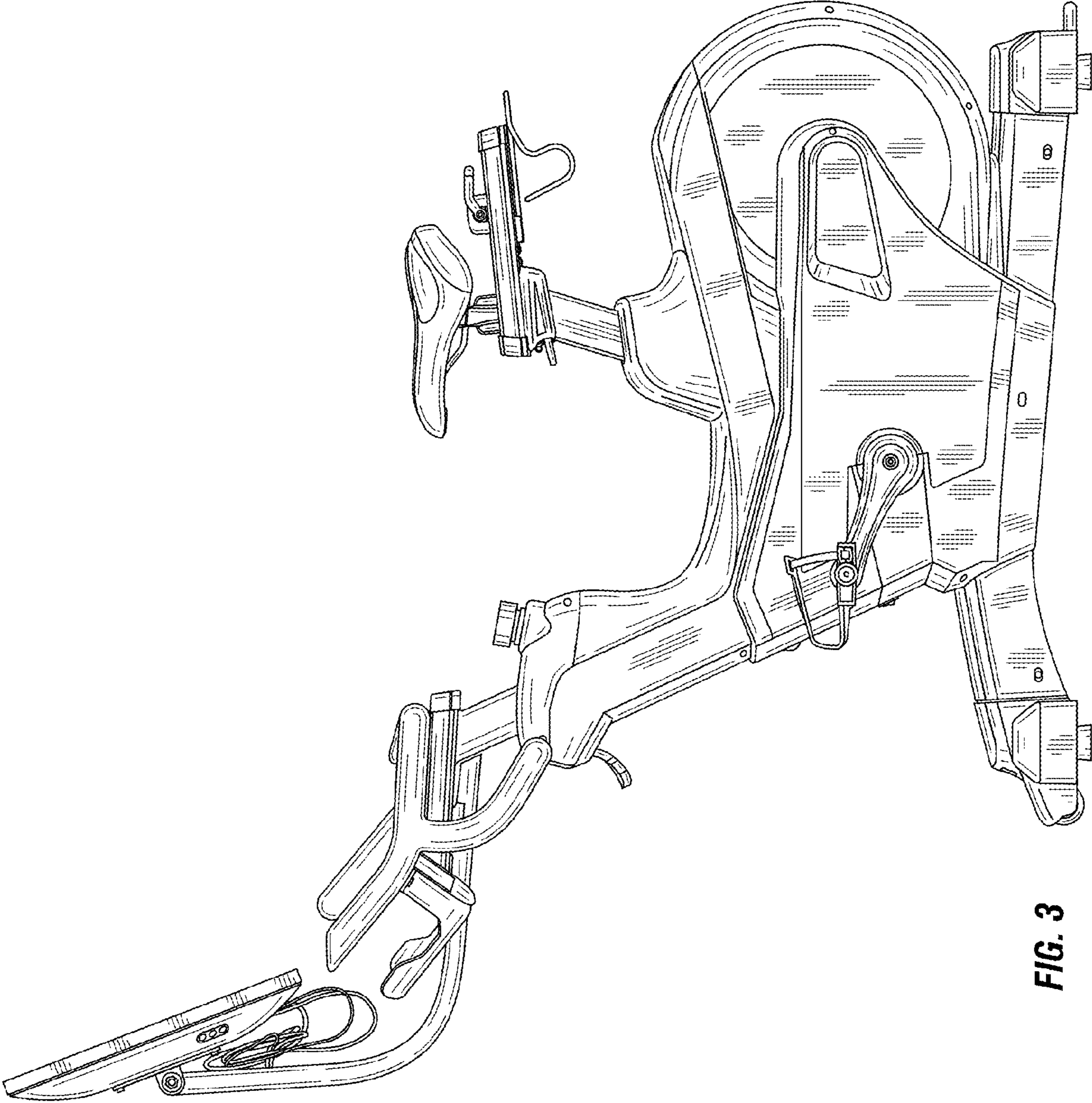


FIG. 3

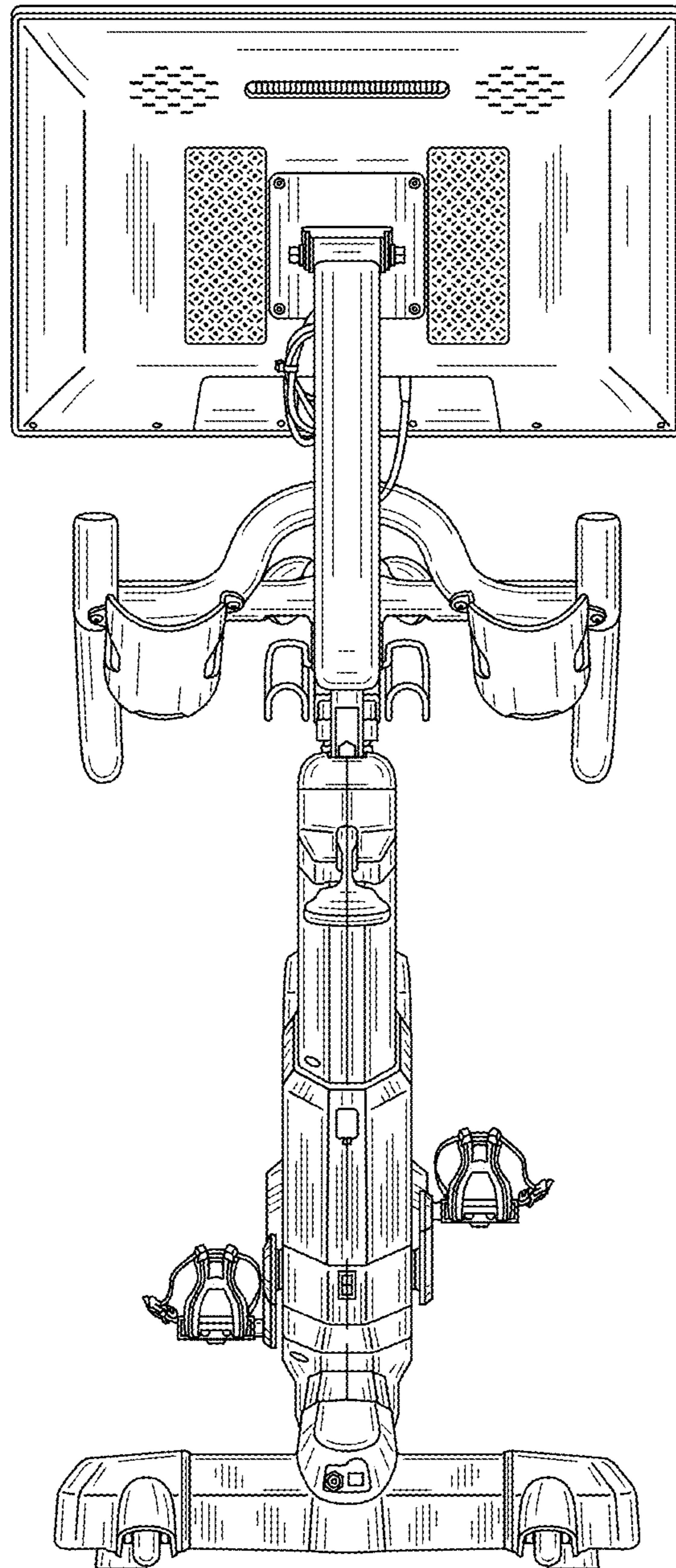


FIG. 4

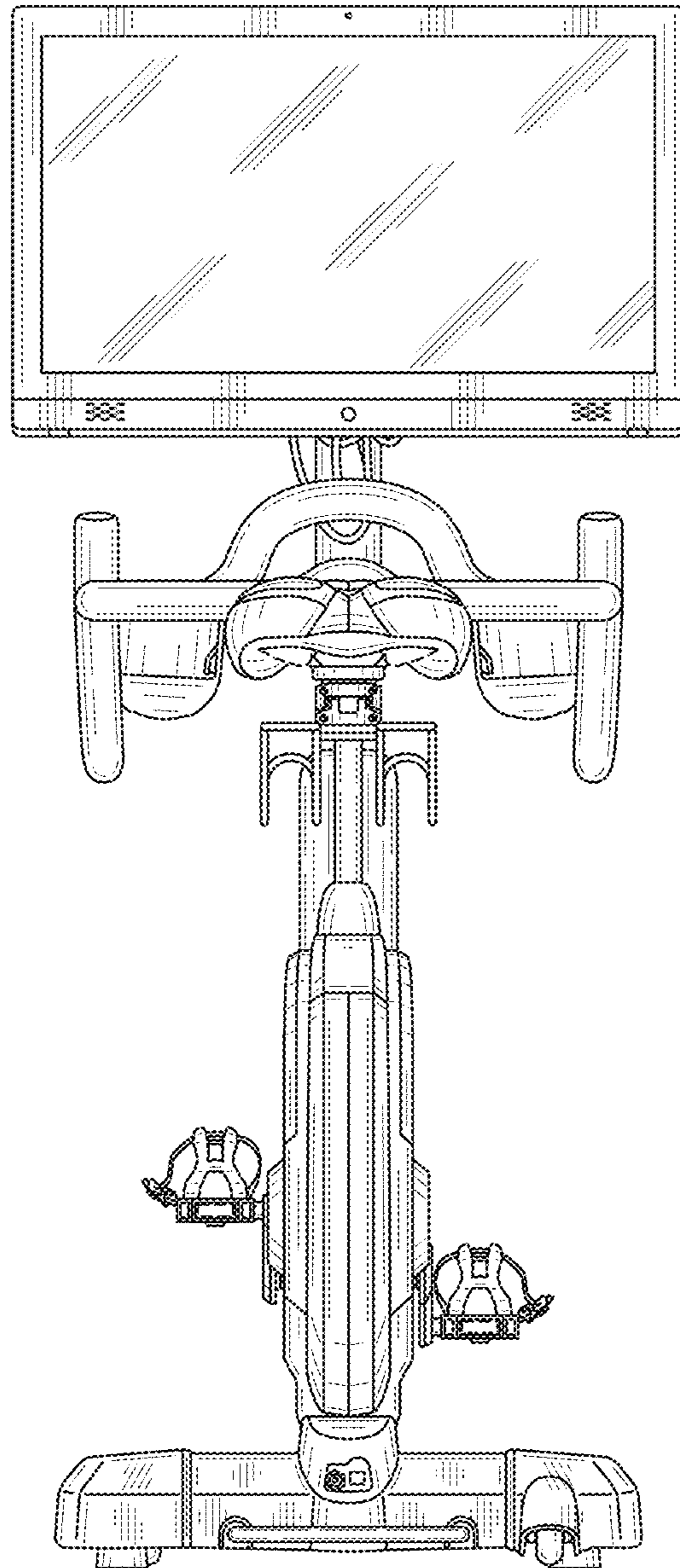


FIG. 5