



US00D974497S

(12) **United States Design Patent**
Park et al.

(10) **Patent No.:** **US D974,497 S**
(45) **Date of Patent:** **** Jan. 3, 2023**

(54) **TOY BLOCK**

(71) Applicant: **GYMWORLD INC.**, Seoul (KR)

(72) Inventors: **Kee Young Park**, Seoul (KR); **Chang Moon Lee**, Gwangmyeong-si (KR); **So Lee Kang**, Seoul (KR); **Jo Un Yi**, Seoul (KR); **Yeong Du Jeon**, Gimpo-si (KR)

(73) Assignee: **GYMWORLD INC.**, Seoul (KR)

(**) Term: **15 Years**

(21) Appl. No.: **29/746,097**

(22) Filed: **Aug. 11, 2020**

(30) **Foreign Application Priority Data**

Jul. 16, 2020 (KR) 30-2020-0032939

(51) **LOC (14) Cl.** **21-01**

(52) **U.S. Cl.**
USPC **D21/658**

(58) **Field of Classification Search**
USPC D11/160; D21/576, 578, 585, 621–623,
D21/630–631, 634, 636–637, 658–661,
D21/645, 649
CPC A63H 3/16; A63H 3/00
See application file for complete search history.

(56) **References Cited**

U.S. PATENT DOCUMENTS

D259,578 S * 6/1981 Carreiro D21/659
D260,791 S * 9/1981 Suda D29/103
D281,984 S * 12/1985 Nakao D21/488
D387,106 S * 12/1997 Johnson D29/102

D391,324 S * 2/1998 Linder D29/106
D392,698 S * 3/1998 Knudsen D21/658
D405,121 S * 2/1999 Pardorf D21/658
D469,134 S * 1/2003 Manville D21/659
D785,102 S * 4/2017 Ruffin, Jr. D21/655
D808,473 S * 1/2018 Finn D21/622
D890,240 S * 7/2020 Wilson D15/199
D926,894 S * 8/2021 Huang D21/658

* cited by examiner

Primary Examiner — Michael C Stout

Assistant Examiner — Melvin L Davis

(74) *Attorney, Agent, or Firm* — Studebaker & Brackett
PC

(57) **CLAIM**

The ornamental design for a toy block, as shown and described.

DESCRIPTION

FIG. 1 is a perspective view illustrating the overall shape of a toy block, showing our new design;
FIG. 2 is a bottom perspective view of the overall shape of the subject design;
FIG. 3 illustrates a front part of the design;
FIG. 4 illustrates a rear part of the design;
FIG. 5 illustrates a left part of the design;
FIG. 6 illustrates a right part of the design;
FIG. 7 illustrates a top part of the design;
FIG. 8 illustrates a bottom part of the design; and,
FIG. 9 illustrates a use state of the subject design.
In FIGS. 2 and 8, areas surrounded by broken lines form no part of the claimed design.
The broken lines in FIG. 9 represent portions of an environmental structure in which the design is embodied, that form no part of the claimed design.

1 Claim, 9 Drawing Sheets

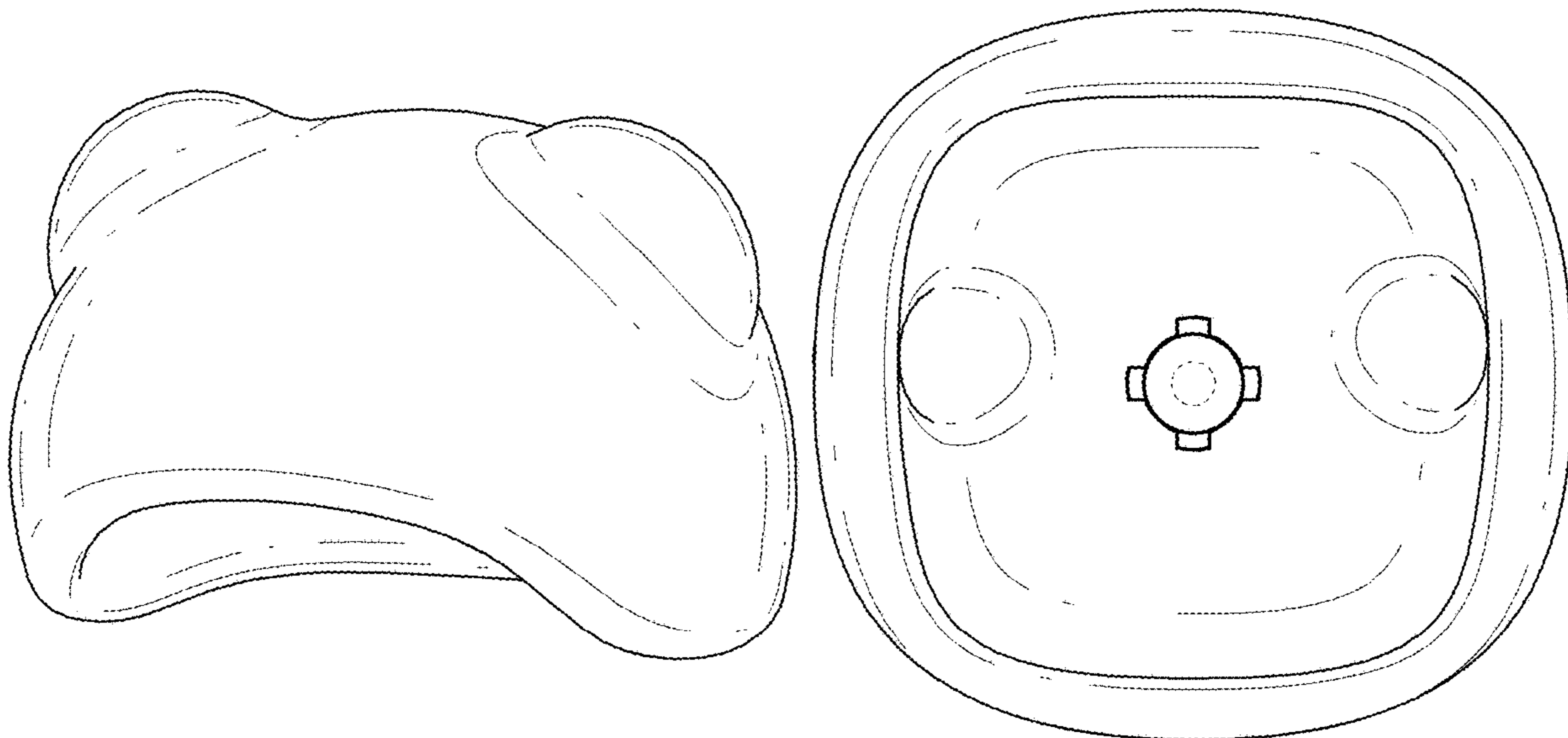


FIG. 1

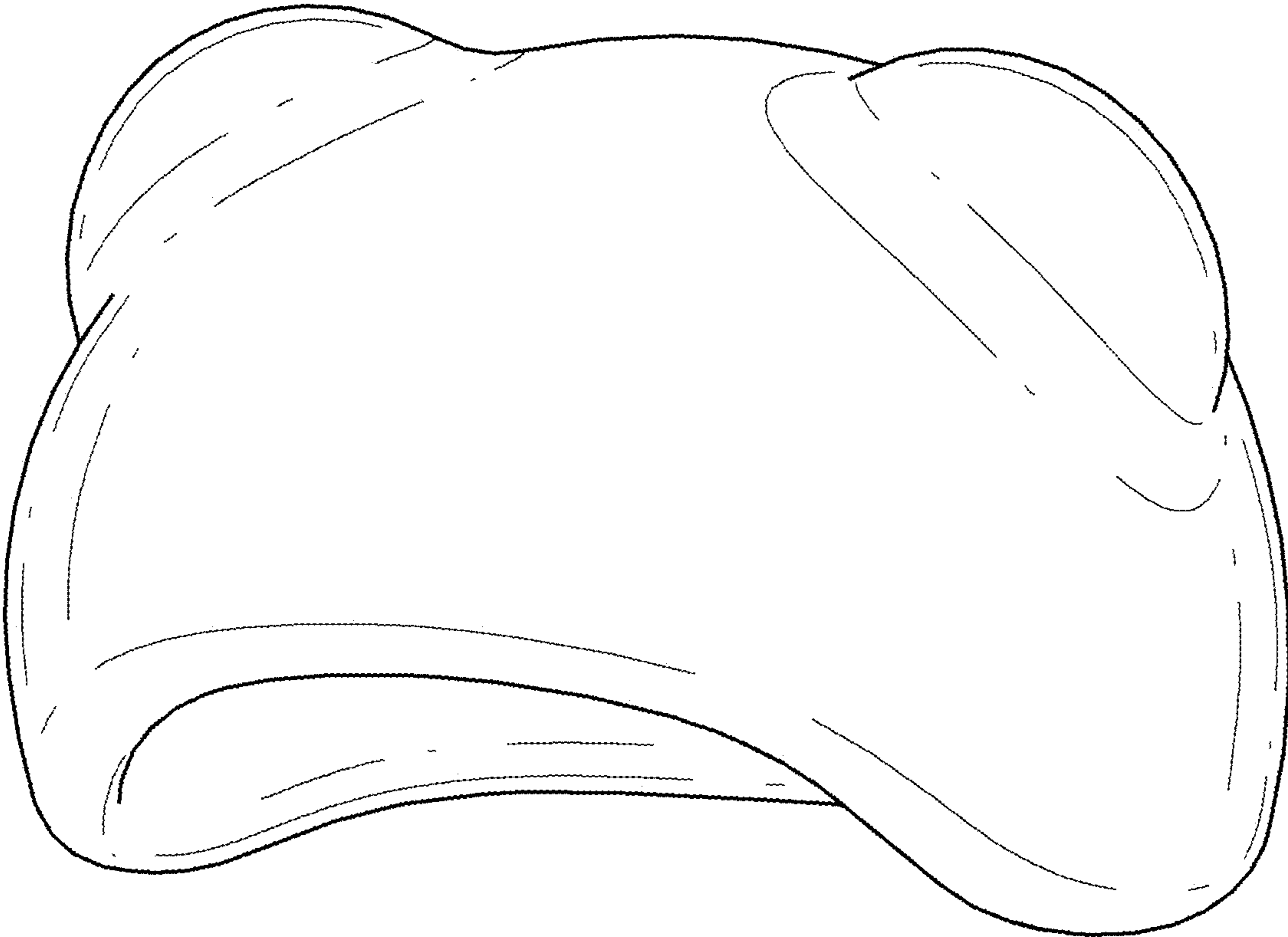


FIG. 2

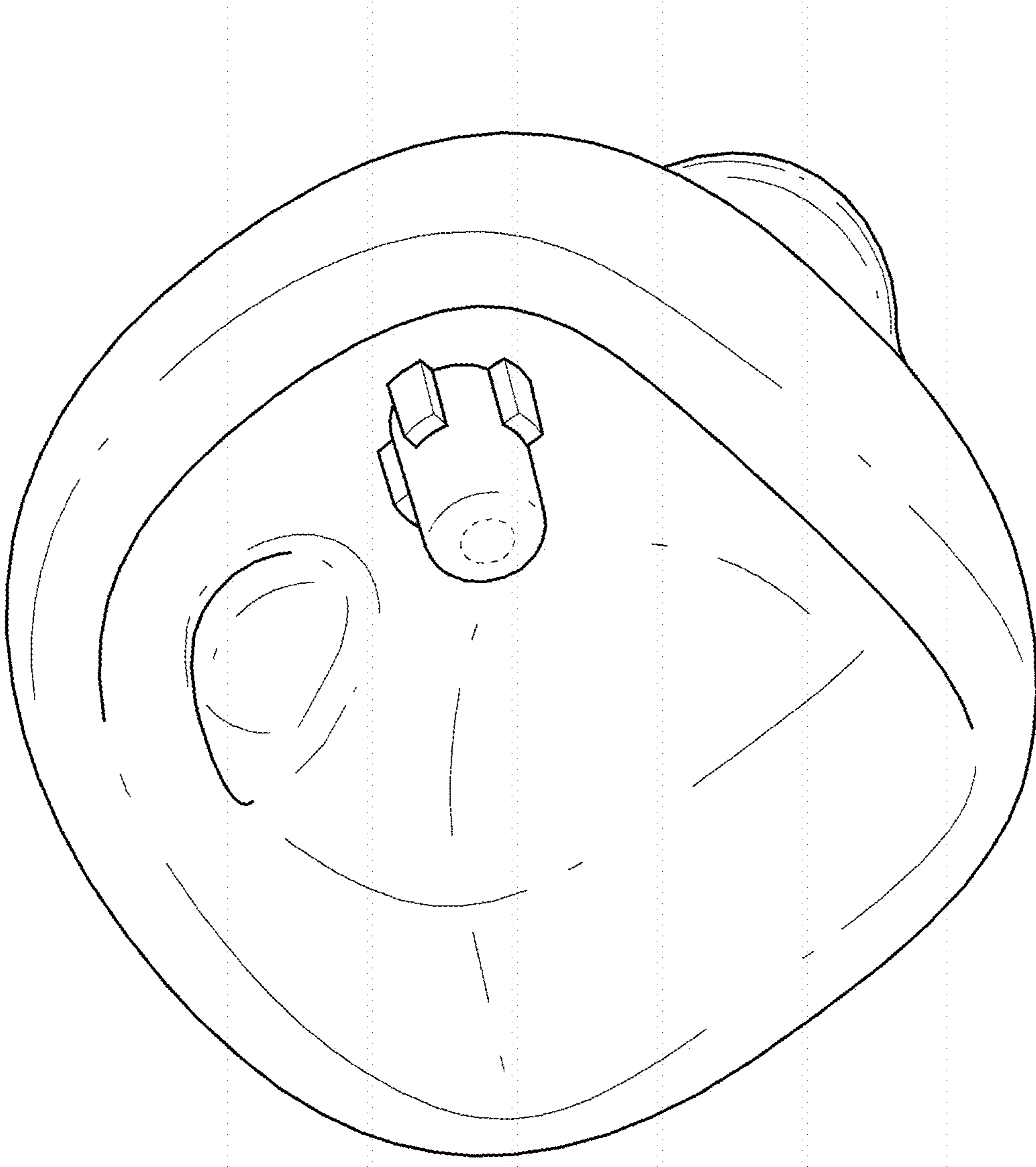


FIG. 3

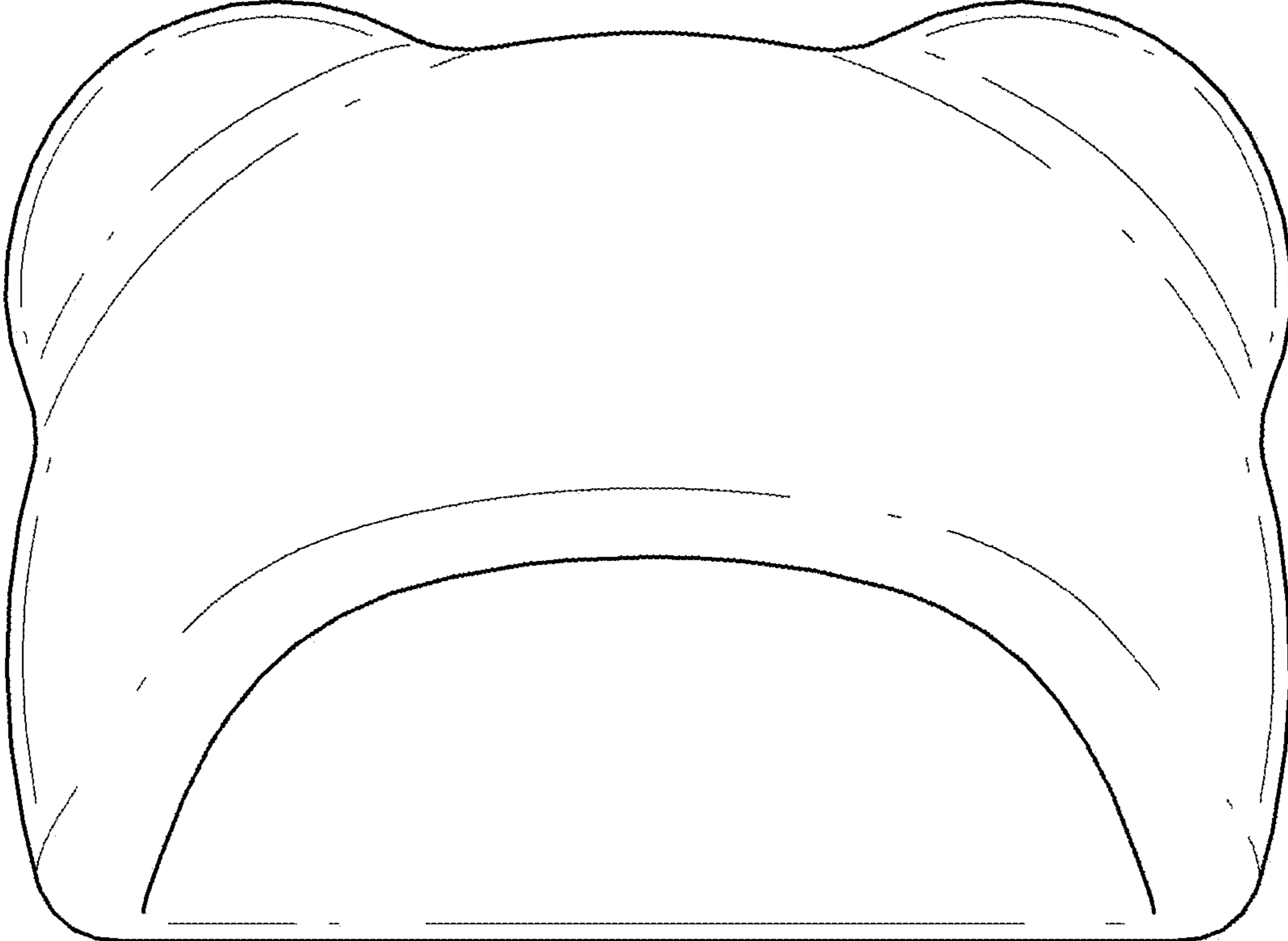


FIG. 4

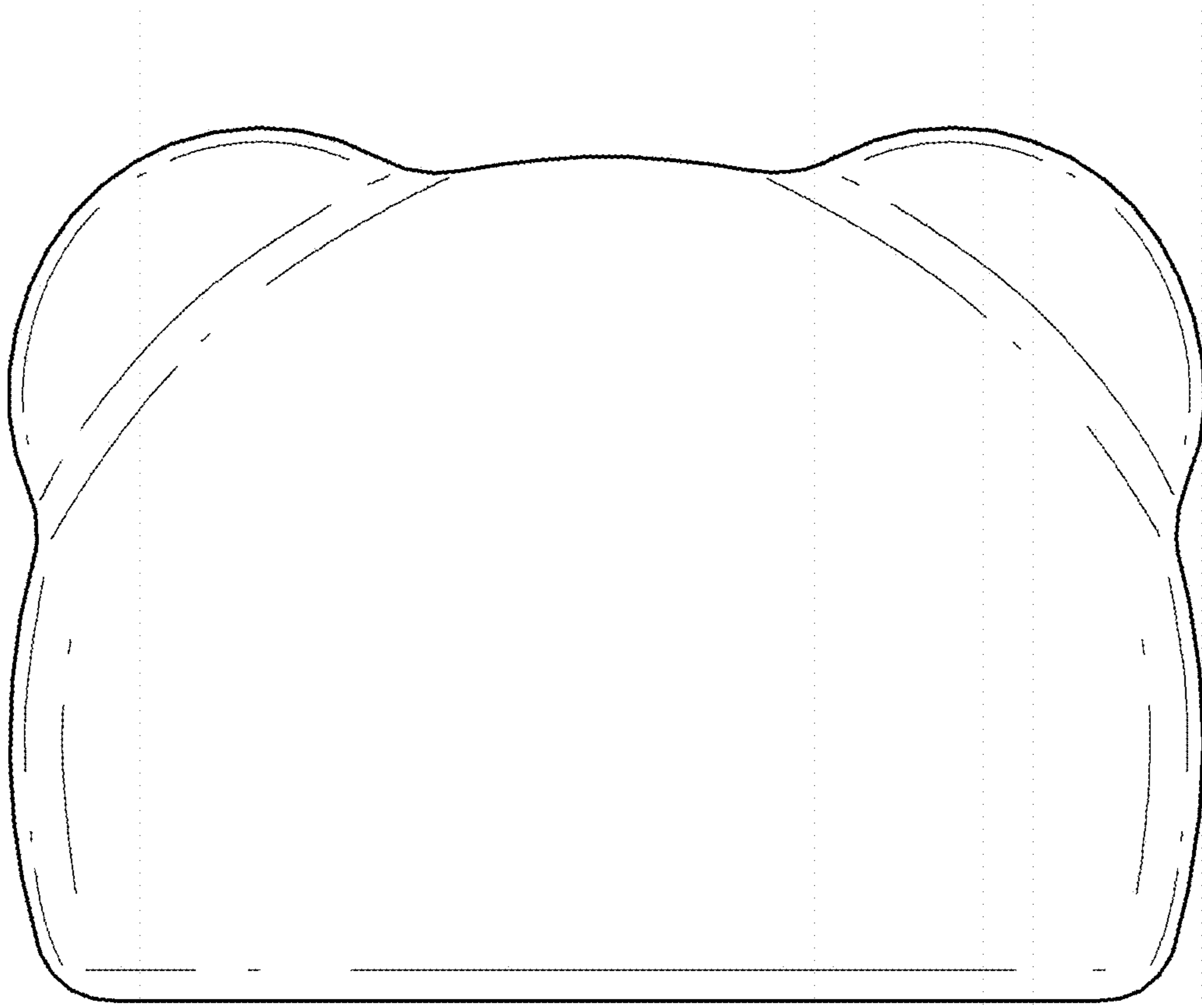


FIG. 5

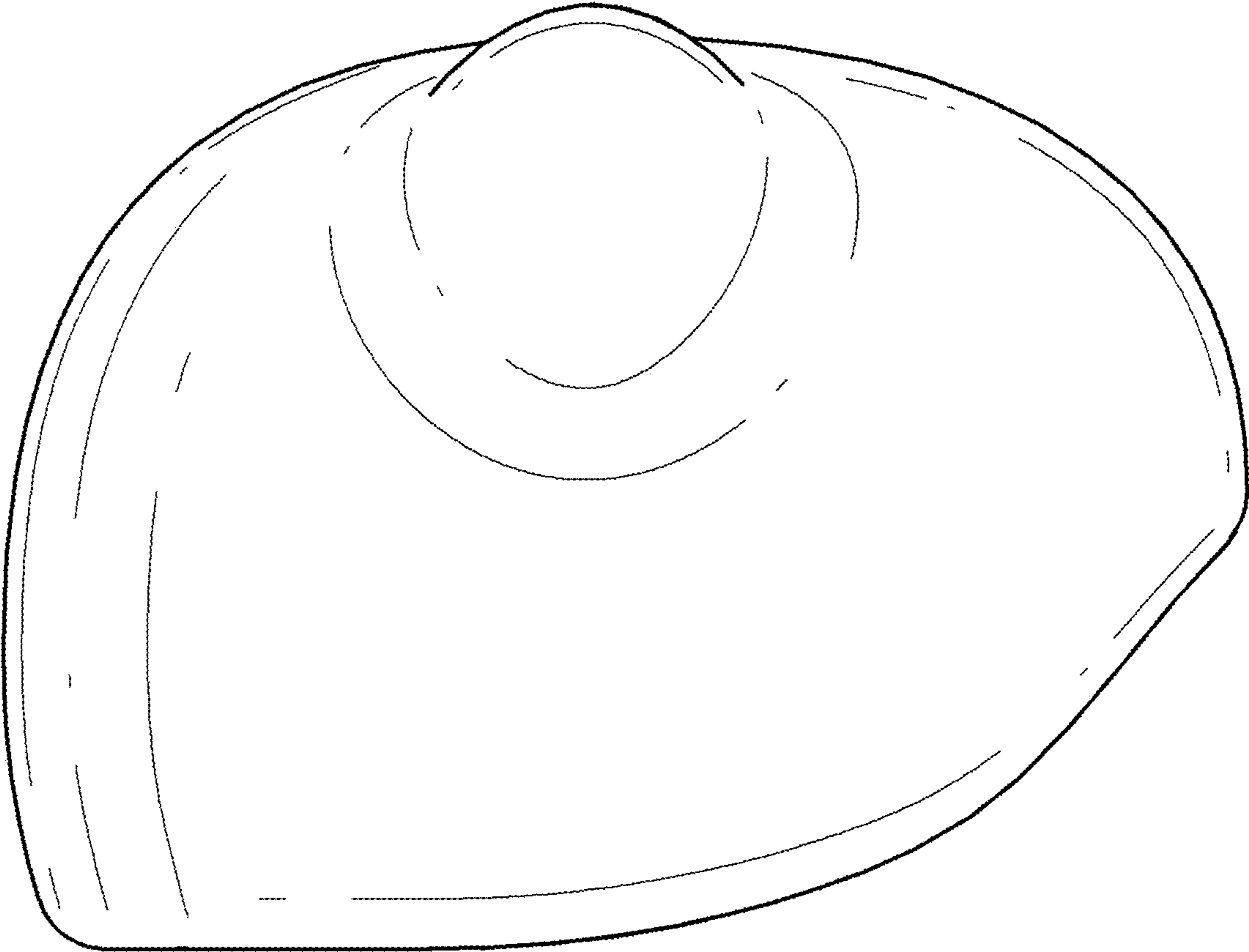


FIG. 6

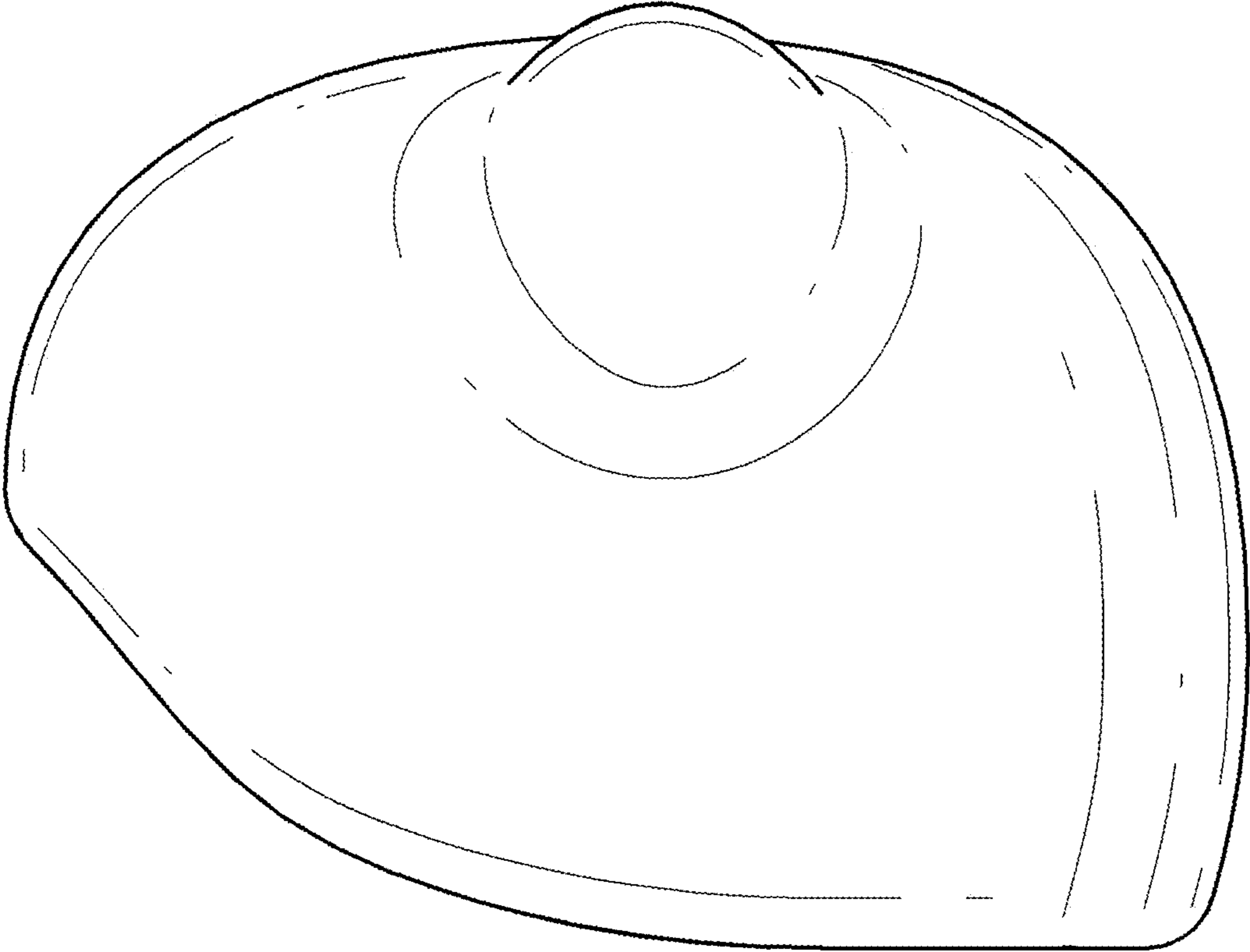


FIG. 7

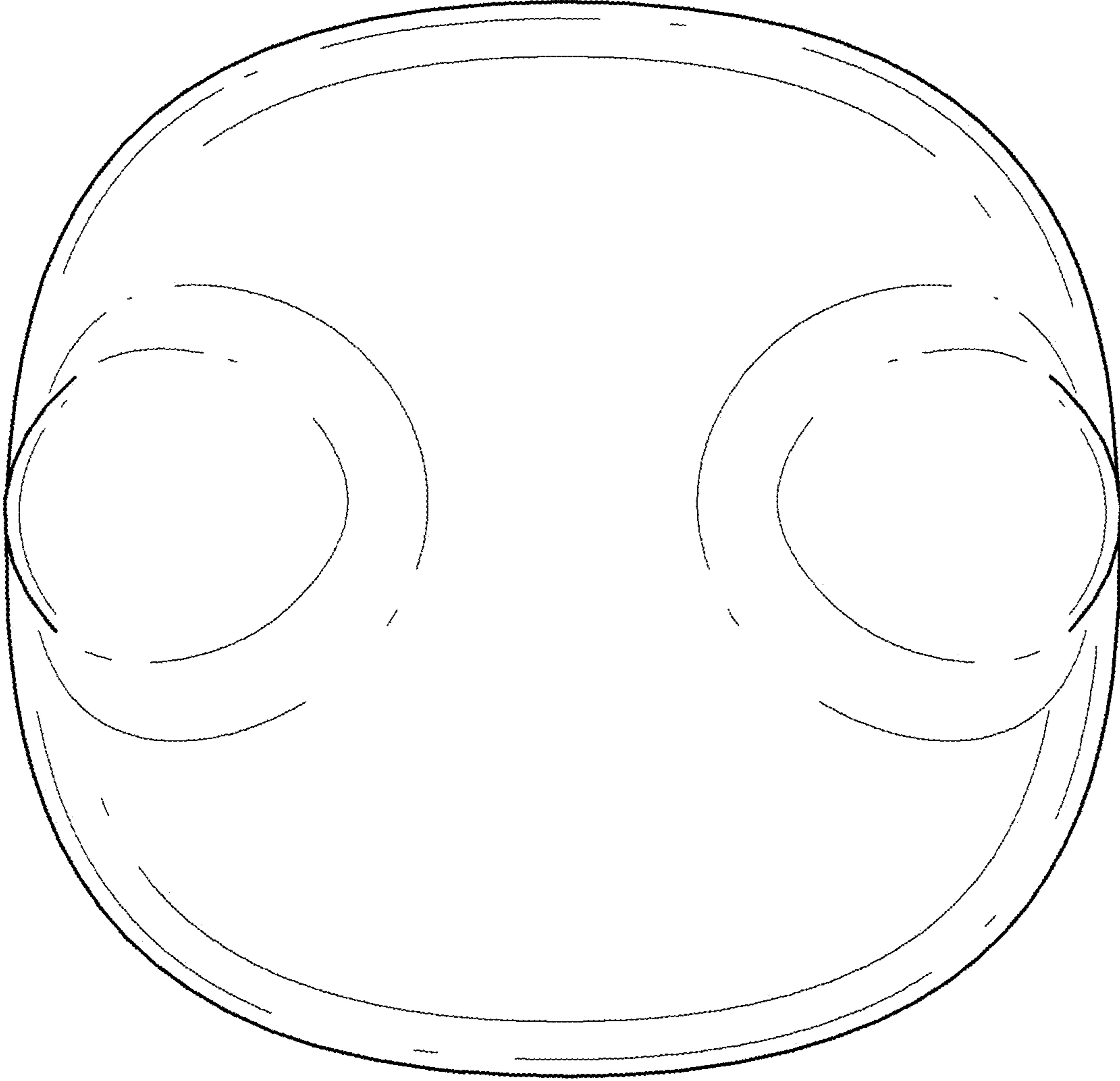


FIG. 8

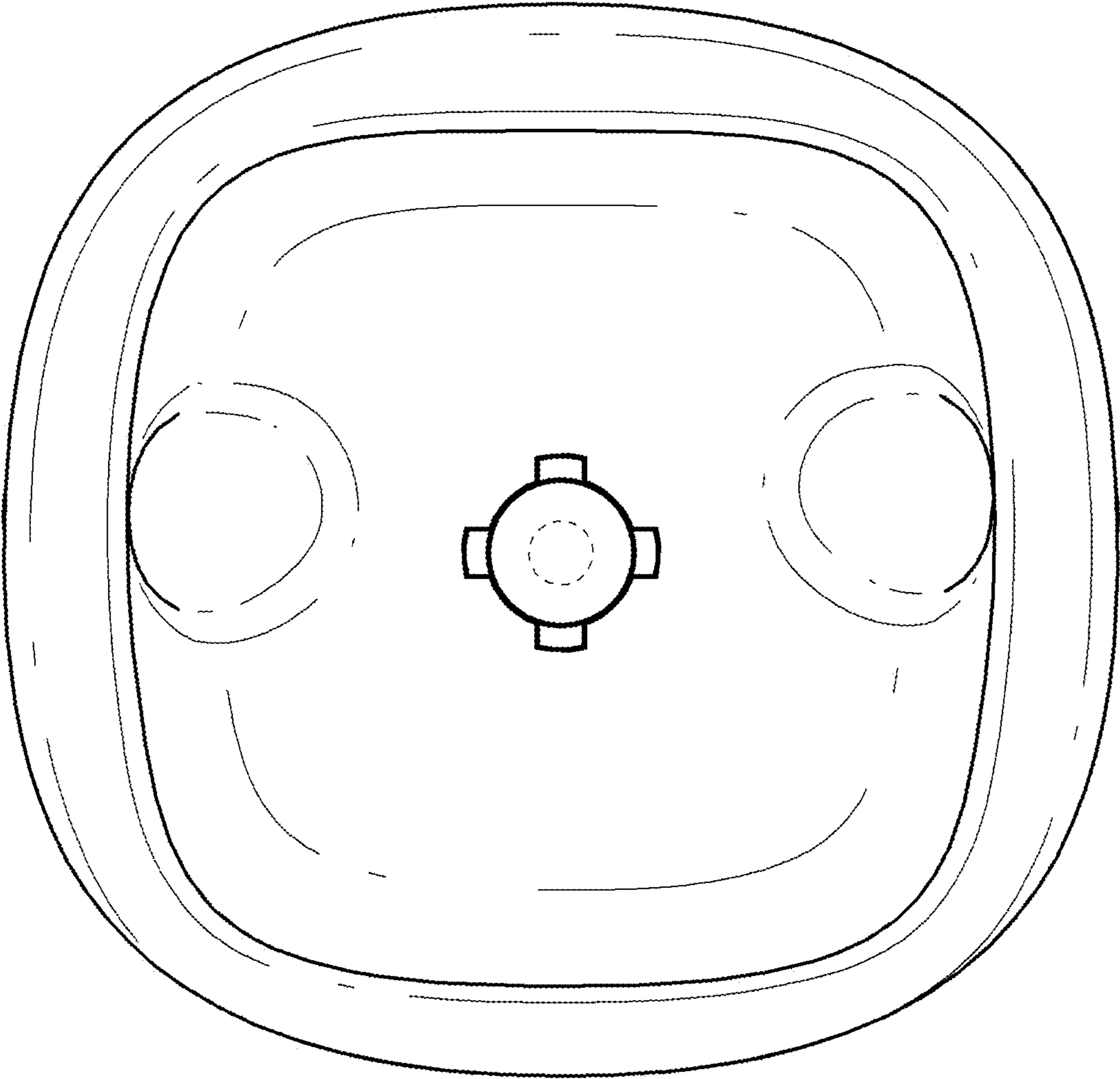


FIG. 9

