



US00D974495S

(12) **United States Design Patent** (10) **Patent No.:** **US D974,495 S**
Wang (45) **Date of Patent:** **** Jan. 3, 2023**

(54) **TOY TRACK SEGMENT**
(71) Applicant: **Yuyang Wang**, Shantou (CN)
(72) Inventor: **Yuyang Wang**, Shantou (CN)

2004/0182947 A1* 9/2004 Wa A63H 18/028
238/10 R
2009/0139424 A1* 6/2009 Norman A63H 19/30
105/1.5
2018/0128477 A1* 5/2018 Balanchi F21V 33/008

(**) Term: **15 Years**

OTHER PUBLICATIONS

(21) Appl. No.: **29/775,720**

Smoby—FleXtreme Discovery Set [No Voice], uploaded on YouTube Oct. 5, 2020 by Smoby TV [online], [site visited May 22, 2022]. Available from Internet: <URL:https://www.youtube.com/watch?v=W6higdkd3cM> (Year: 2020).*

(22) Filed: **Mar. 25, 2021**

(30) **Foreign Application Priority Data**

* cited by examiner

Jan. 29, 2021 (CN) 202130065643.5

Primary Examiner — Cynthia M. Chin

(51) **LOC (14) Cl.** **21-01**

(74) *Attorney, Agent, or Firm* — Rumit Ranjit Kanakia

(52) **U.S. Cl.**
USPC **D21/565**

(57) **CLAIM**

(58) **Field of Classification Search**
USPC D21/564, 565
CPC A63H 18/00; A63H 18/16; A63H 18/02;
A63H 18/021; A63H 18/08; A63H 18/10;
A63H 2018/165
See application file for complete search history.

The ornamental design for a toy track segment, as shown and described.

DESCRIPTION

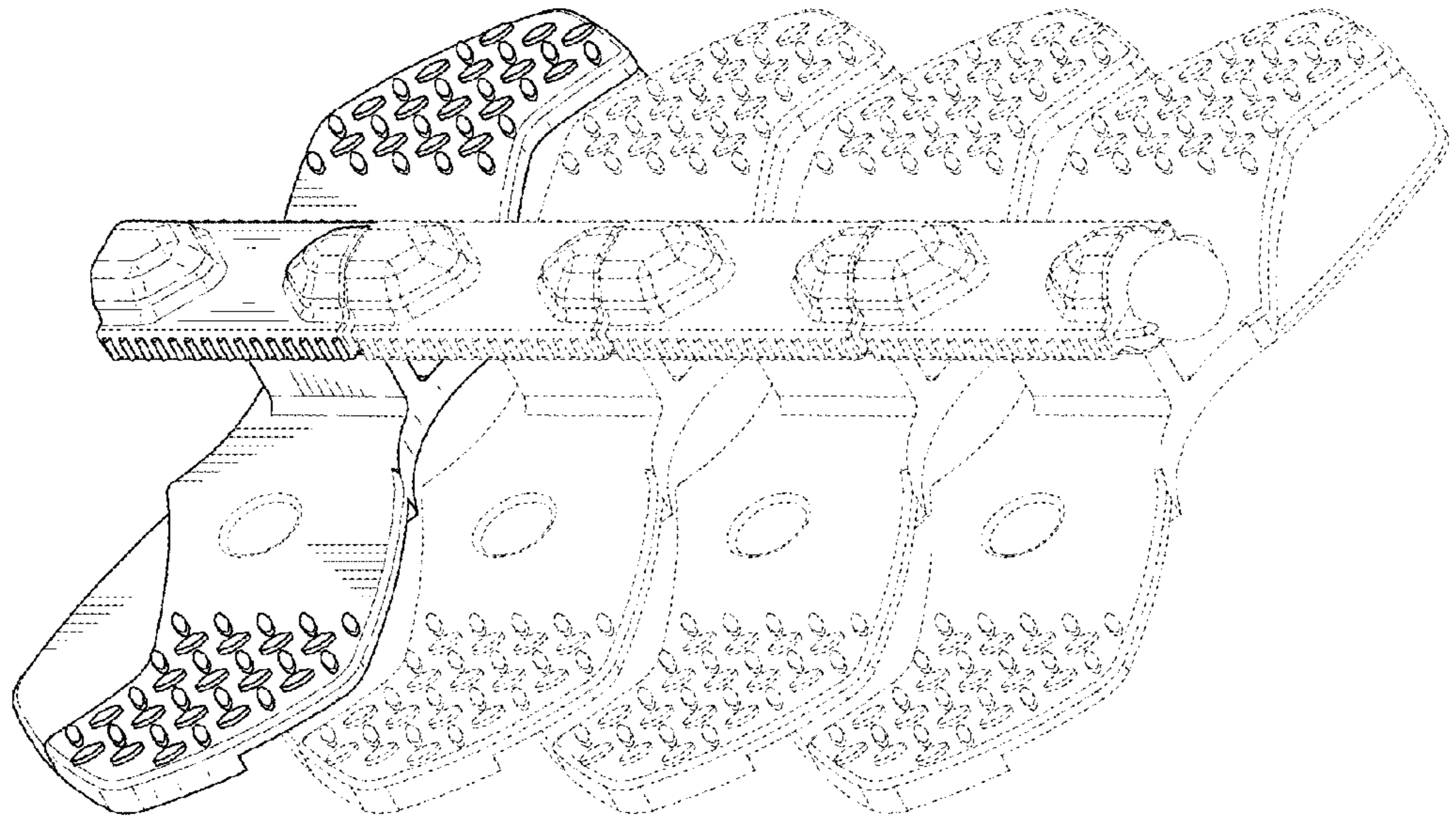
(56) **References Cited**

U.S. PATENT DOCUMENTS

- 6,631,850 B1* 10/2003 Wa A63H 18/021
104/60
- 7,051,948 B2* 5/2006 Wa A63H 18/021
238/10 A
- 7,770,524 B1* 8/2010 Wa A63H 18/16
105/29.2
- 7,922,101 B2* 4/2011 Norman A63H 21/04
238/10 R
- D828,879 S * 9/2018 Tiffin D21/564
- D828,880 S * 9/2018 Tiffin D21/564
- D863,458 S 10/2019 Balanchi
- D878,485 S 3/2020 Balanchi
- D878,486 S 3/2020 Balanchi
- D906,441 S * 12/2020 Balanchi D21/565

FIG. 1 is a perspective view of a toy track segment showing my new design;
FIG. 2 is a front view thereof;
FIG. 3 is a back view thereof;
FIG. 4 is a left side view thereof;
FIG. 5 is a right side view thereof;
FIG. 6 is a top view thereof;
FIG. 7 is a bottom view thereof; and,
FIG. 8 is an enlarged partial view taken from the bottom left side of FIG. 1.
The broken lines are for the purpose of illustrating portions of the toy track segment that form no part of the claimed design and the environment in which it resides. The dash-dot broken lines represent the boundaries of the enlarged partial views of FIG. 8 and form no part of the claimed design. None of the broken lines form a part of the claimed design.

1 Claim, 8 Drawing Sheets



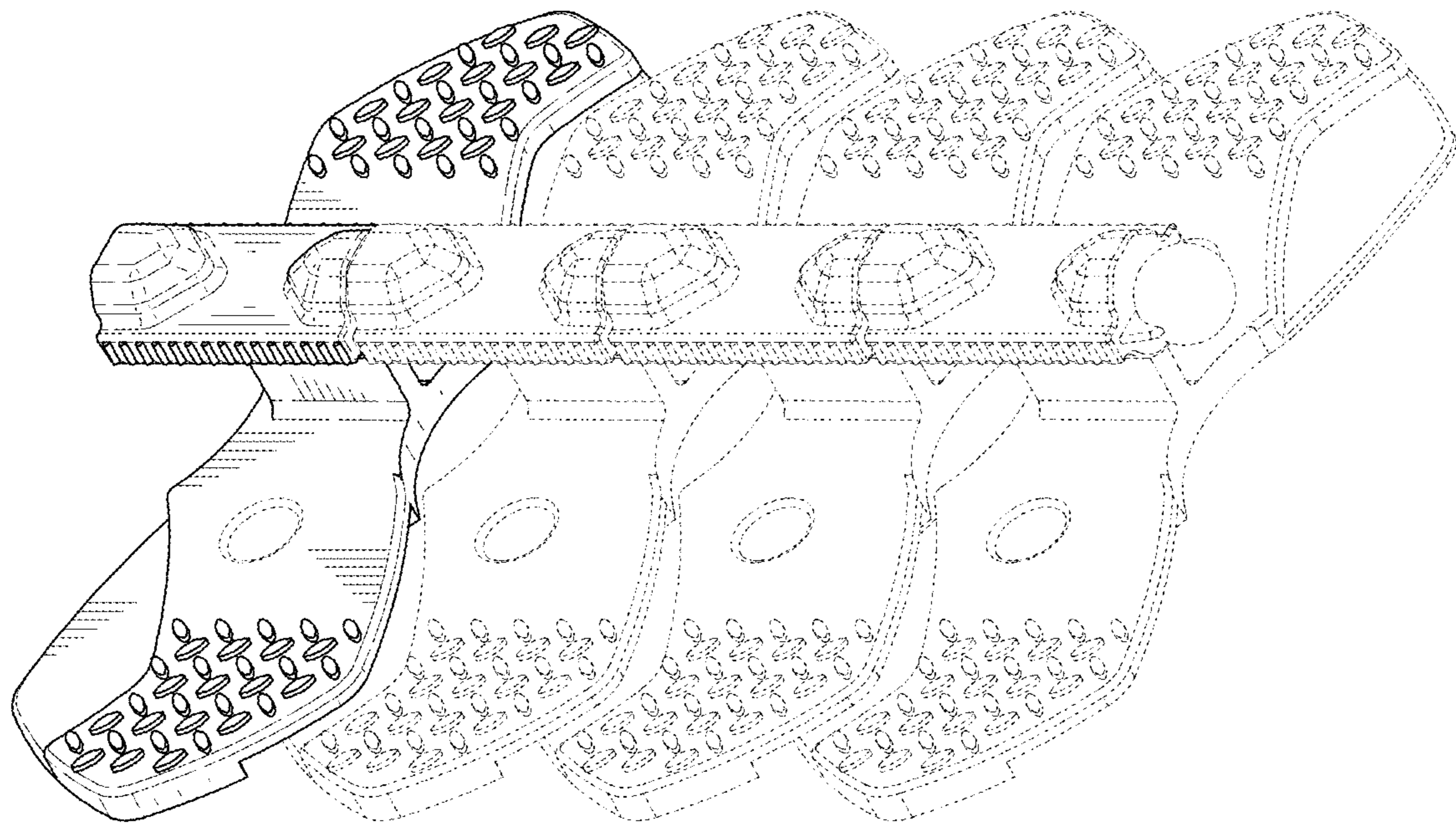


FIG. 1

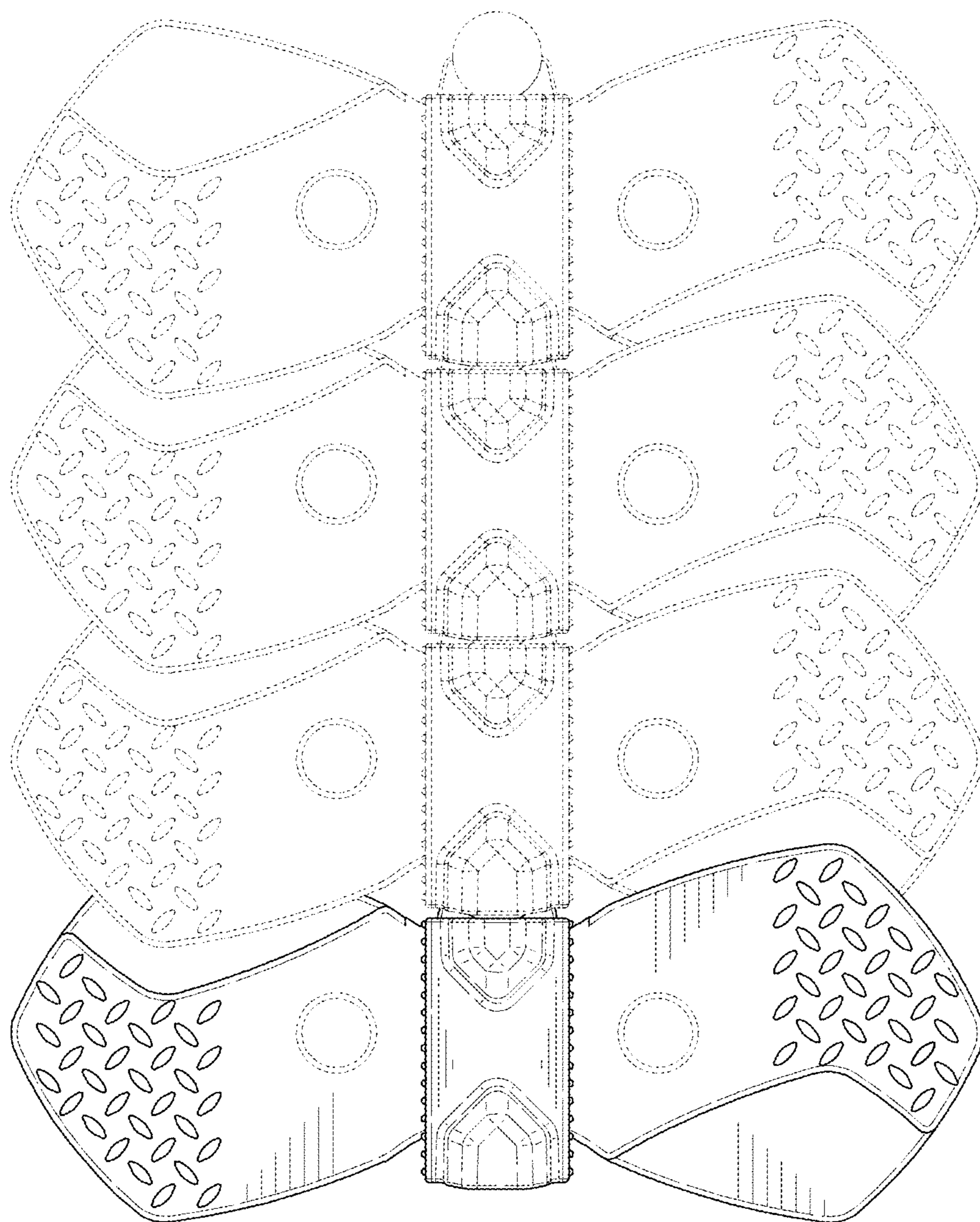


FIG. 2

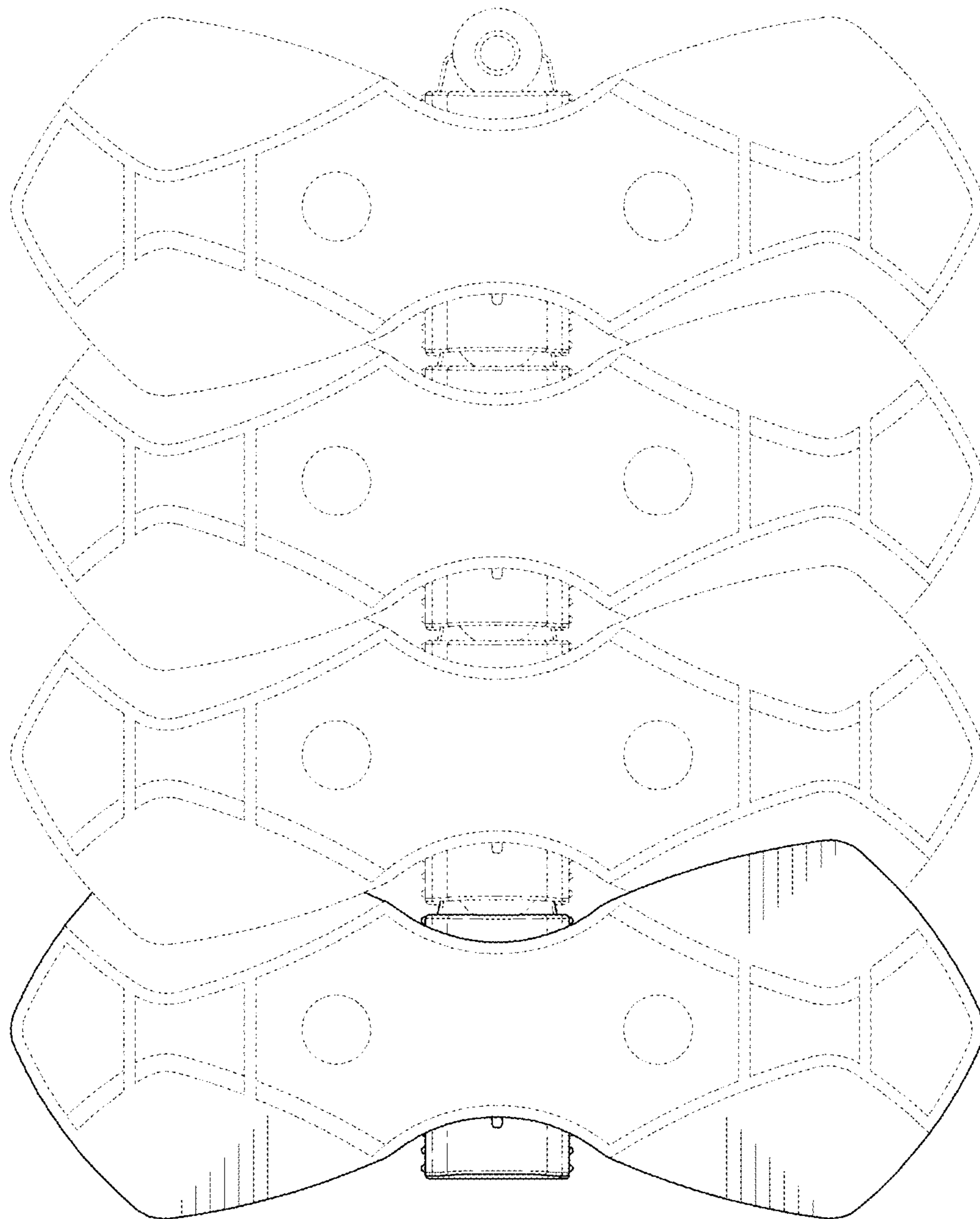


FIG. 3

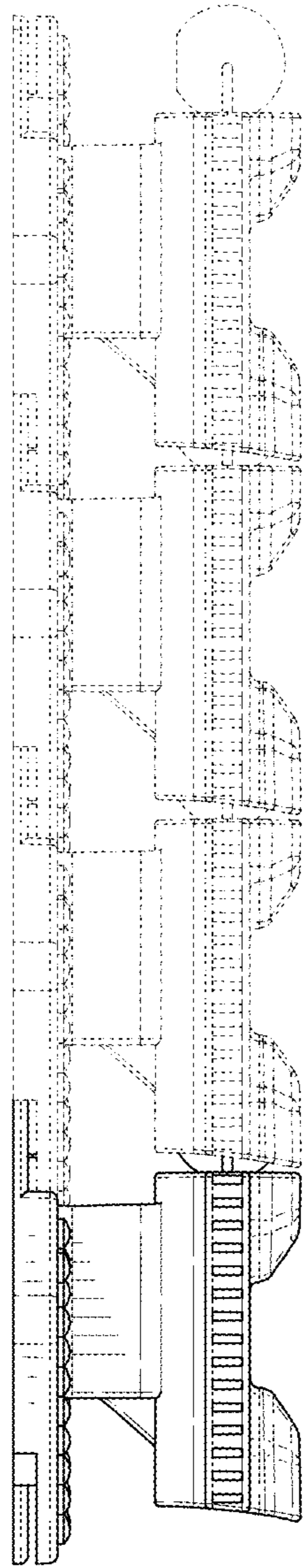


FIG. 4

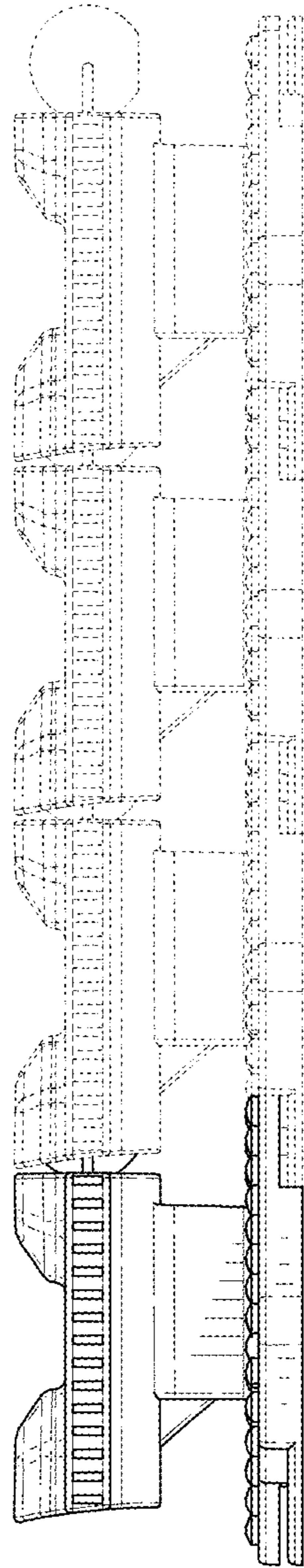


FIG. 5

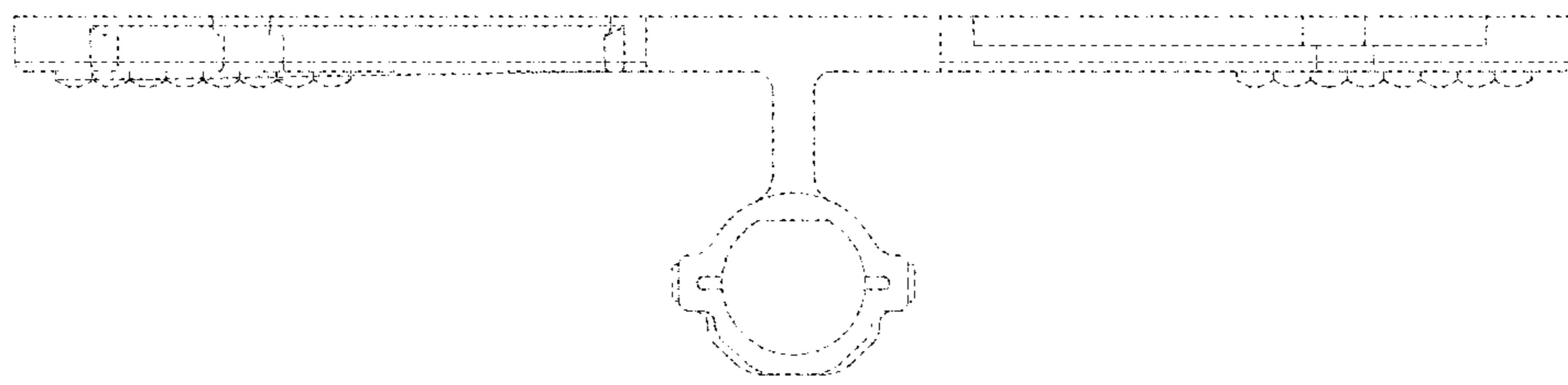


FIG. 6

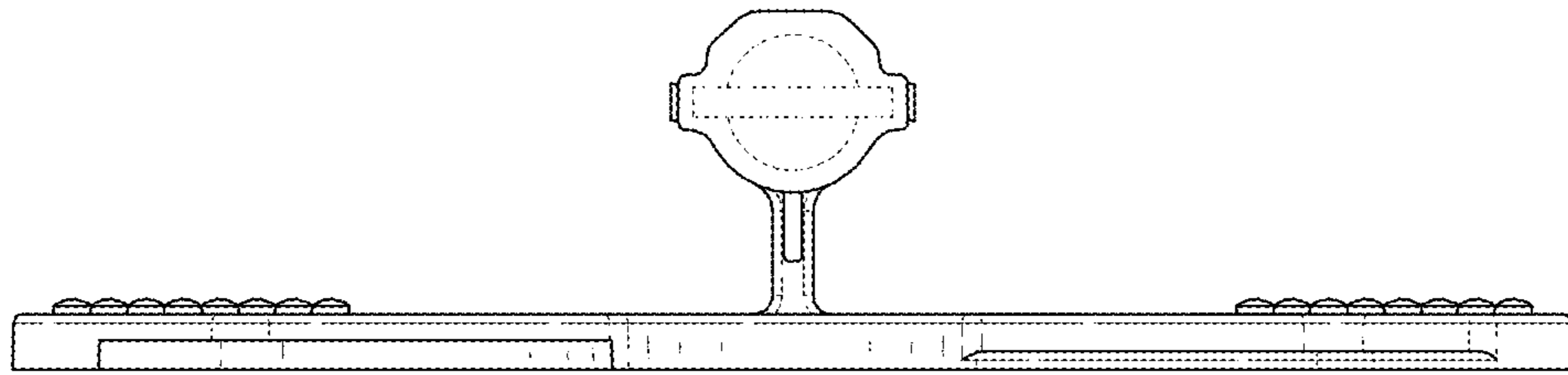


FIG. 7

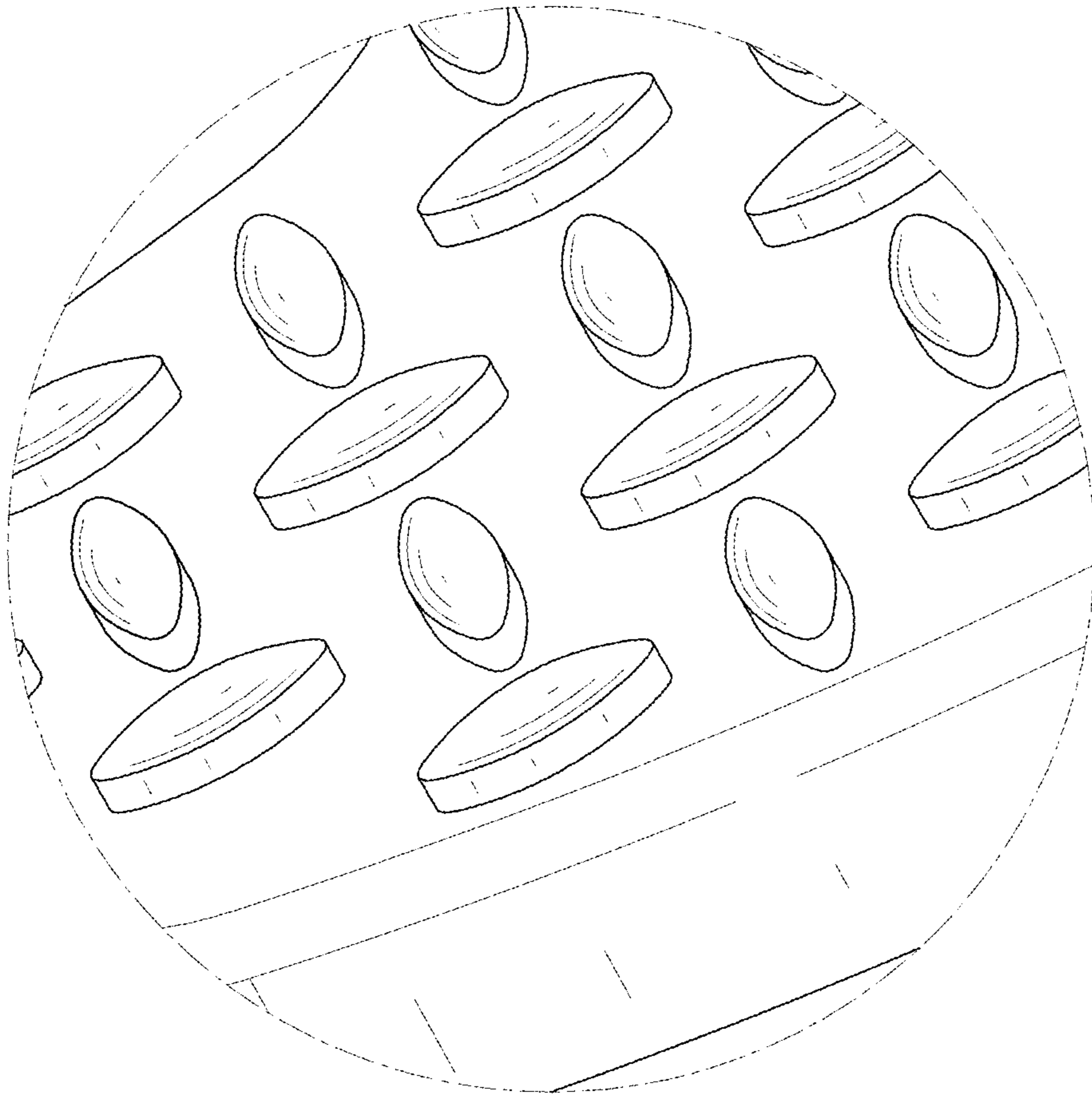


FIG. 8