



US00D974490S

(12) **United States Design Patent**
Zhang

(10) **Patent No.:** **US D974,490 S**
(45) **Date of Patent:** **** Jan. 3, 2023**

(54) **TOY DRAWING BOARD**
(71) Applicant: **Jianhong Zhang**, Shantou (CN)
(72) Inventor: **Jianhong Zhang**, Shantou (CN)
(**) Term: **15 Years**

D710,441 S * 8/2014 Soler D19/59
D723,551 S * 3/2015 Fu D14/341
D735,189 S * 7/2015 Ji D14/371
D744,997 S * 12/2015 Fujioka D14/341
D753,102 S * 4/2016 Chen D14/341
(Continued)

(21) Appl. No.: **29/766,768**
(22) Filed: **Jan. 19, 2021**
(51) **LOC (14) Cl.** **21-01**
(52) **U.S. Cl.**
USPC **D21/469**
(58) **Field of Classification Search**
USPC D21/398, 468, 469, 470, 474, 475, 476,
D21/405, 406, 407, 409, 410, 411;
D19/59, 60, 62; D14/341
CPC A63F 9/06; A63F 9/08; A63H 5/00; G09B
1/00; G09B 1/02; G09B 1/06; G09B
1/14; G09B 1/18; G09B 11/00
See application file for complete search history.

FOREIGN PATENT DOCUMENTS

CN 3157805 * 8/2000
CN 303289075 * 7/2015
(Continued)

OTHER PUBLICATIONS

Peradix Kids Magnetic Drawing Board, available on YouTube.com, date posted Feb. 25, 2019, [site visited Mar. 8, 2022], URL: <https://www.youtube.com/watch?v=yBTgdHKHNkk> (Year: 2019).
(Continued)

Primary Examiner — Dana K Weiland
Assistant Examiner — Emily Anna Saunders

(56) **References Cited**

U.S. PATENT DOCUMENTS

D338,045 S * 8/1993 Rosen A63F 13/2145
D21/329
D345,177 S * 3/1994 Mak D21/469
D356,336 S * 3/1995 Mak D19/113
D356,824 S * 3/1995 Mak D19/113
D369,831 S * 5/1996 Chow D19/60
D370,942 S * 6/1996 Arad D21/475
D419,599 S * 1/2000 Mak D21/469
D435,273 S * 12/2000 Tong D21/475
D443,304 S * 6/2001 Mak D21/469
D467,971 S * 12/2002 Mak D21/469
D469,433 S * 1/2003 Liao D14/375
D469,434 S * 1/2003 Lin D14/375
D498,269 S * 11/2004 Shirai D21/469
D591,801 S * 5/2009 Mak D21/469
D606,763 S * 12/2009 Chiu D14/371
D623,186 S * 9/2010 Ludlum D14/371
D674,386 S * 1/2013 Mak D14/341

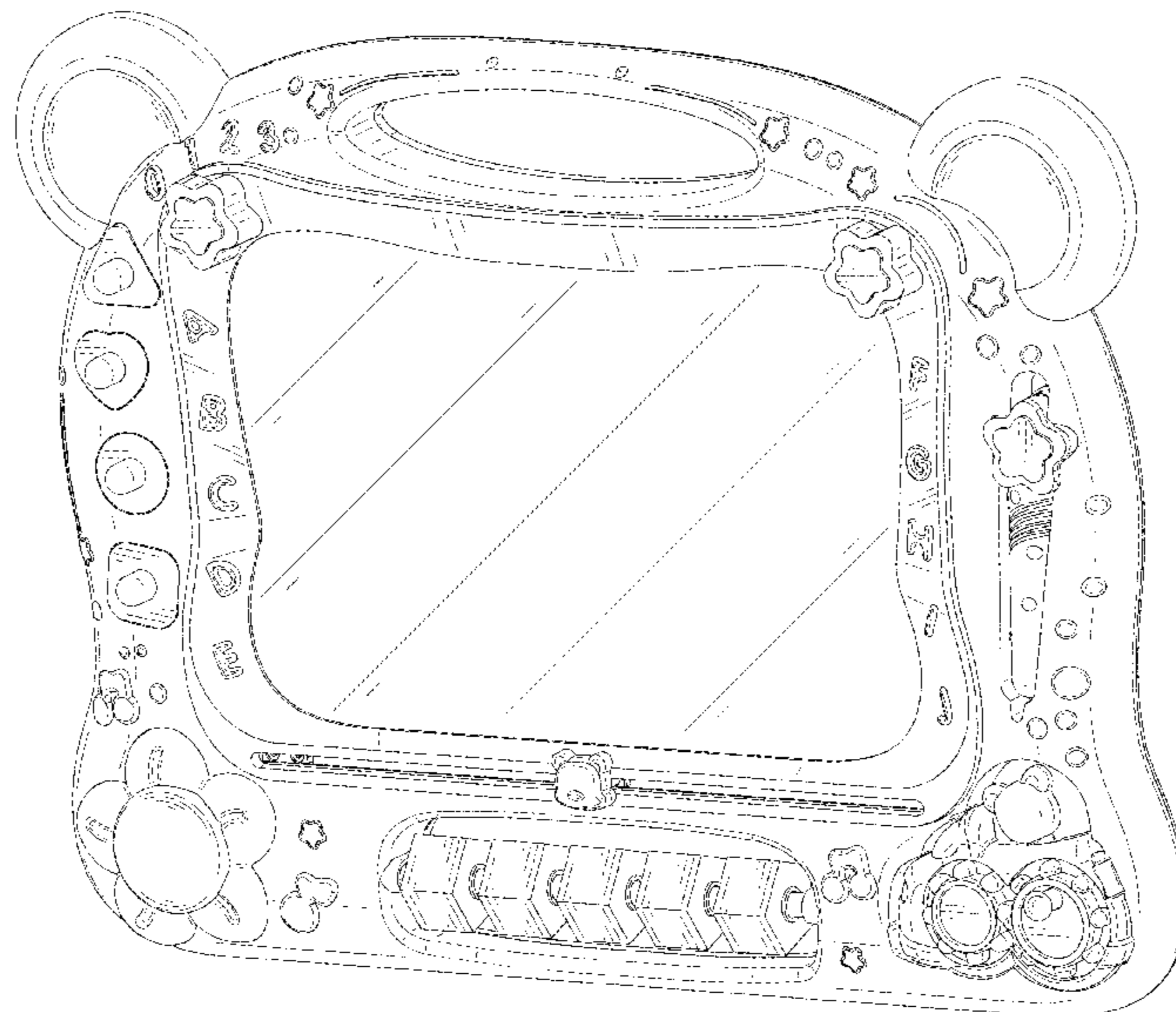
(57) **CLAIM**

The ornamental design for a toy drawing board, as shown and described.

DESCRIPTION

FIG. 1 is a perspective view of a toy drawing board showing my new design;
FIG. 2 is another perspective view thereof;
FIG. 3 is a front elevational view thereof;
FIG. 4 is a rear elevational view thereof;
FIG. 5 is a left side elevational view thereof;
FIG. 6 is a right side elevational view thereof;
FIG. 7 is a top plan view thereof; and,
FIG. 8 is a bottom plan view thereof.
The broken lines in the drawings depict portions of the toy drawing board that form no part of the claimed design.

1 Claim, 8 Drawing Sheets



(56)

References Cited

U.S. PATENT DOCUMENTS

D901,907 S	*	11/2020	Sakai	D6/303
D928,230 S	*	8/2021	Li	D19/113
D944,326 S	*	2/2022	Peng	D19/114
2005/0048457 A1	*	3/2005	Ferrigno	A63F 13/2145 434/308

FOREIGN PATENT DOCUMENTS

CN	304727491	*	7/2018
CN	305011034	*	1/2019
CN	305011201	*	1/2019
CN	305597511	*	2/2020
CN	305982560	*	8/2020
CN	306523140	*	5/2021
GB	6087624	*	4/2020

OTHER PUBLICATIONS

SLHFPX Kids Toys Magna Drawing Board, available on Amazon.com, date first available Mar. 20, 2021, [site visited Mar. 8, 2022], URL: <https://www.amazon.com/SLHFPX-Drawing-Educational-Learning-Birthday/dp/B08YY8CZYV/> (Year: 2021).*

HCFJEH Magnetic Drawing Board, available on Amazon.com, oldest customer review Oct. 19, 2021, [site visited Mar. 8, 2022], URL: <https://www.amazon.com/dp/B09FFM3M44/> (Year: 2021).*

Magnetic Drawing Board, available on Amazon.com, date first available Jul. 12, 2021, [site visited Mar. 8, 2022], URL: <https://www.amazon.com/dp/B0994L9SWK/> (Year: 2021).*

Toddler Toys Magnetic Drawing Doodle Board Gifts, available on Amazon.com, date first available Jul. 13, 2021, [site visited Mar. 8, 2022], URL: <https://www.amazon.com/dp/B09985K59S/> (Year: 2021).*

Kids Magnetic Drawing Board Educational Toys, available on shopee.ph, oldest customer review Jul. 17, 2021, [site visited Mar. 8, 2022], URL: <https://shopee.ph/Kids-Magnetic-Drawing-Board-Educational-Toys-Cartoon-Cat-Doodle-Writing-Board-Baby-Early-Learning-Toy-Gift-i.147477290.6035350680> (Year: 2021).*

Cuter Mates Magnetic Drawing Board, available on Amazon.com, [site visited Mar. 8, 2022], URL: <https://www.amazon.com/dp/B09P1JL3F3/> (Year: 2022).*

Smasiagon Toddler Toys Magnetic Drawing Board, available on Amazon.com, oldest customer review Feb. 2, 2022, [site visited Mar. 8, 2022], URL: <https://www.amazon.com/Smasiagon-Magnetic-Educational-Learning-Birthday/dp/B09MRXKDWJ/> (Year: 2022).*

* cited by examiner

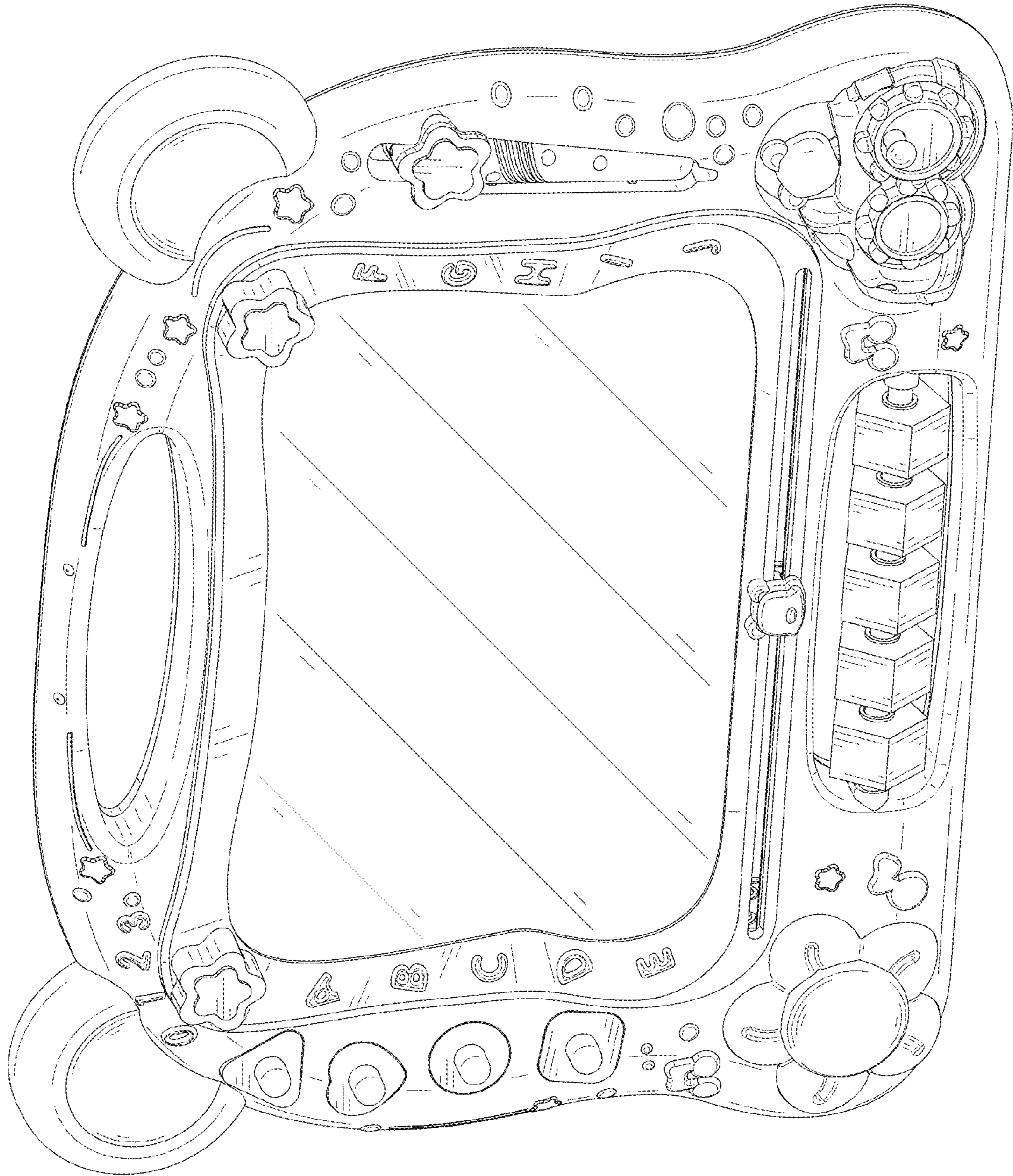


FIG. 1

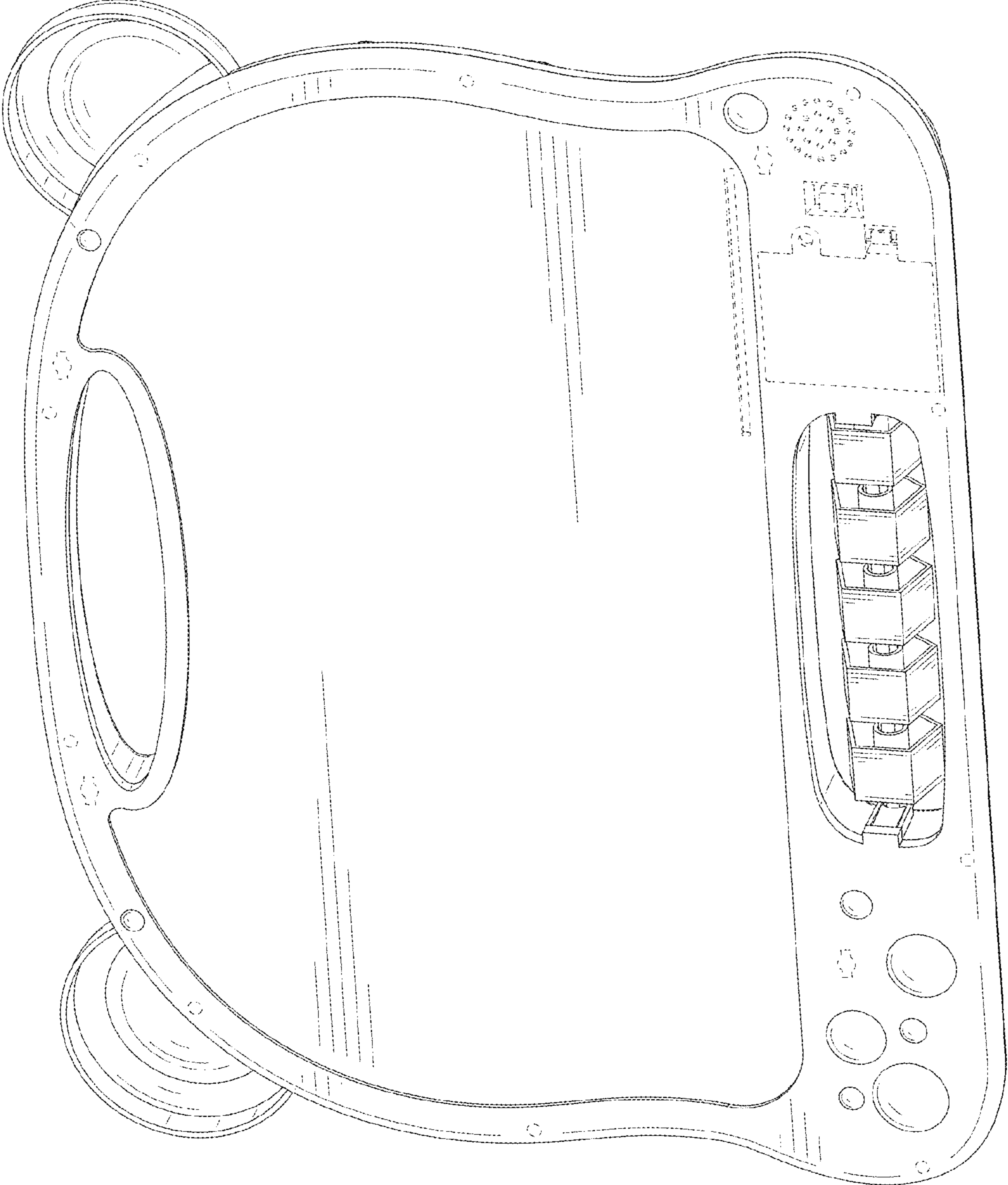


FIG. 2

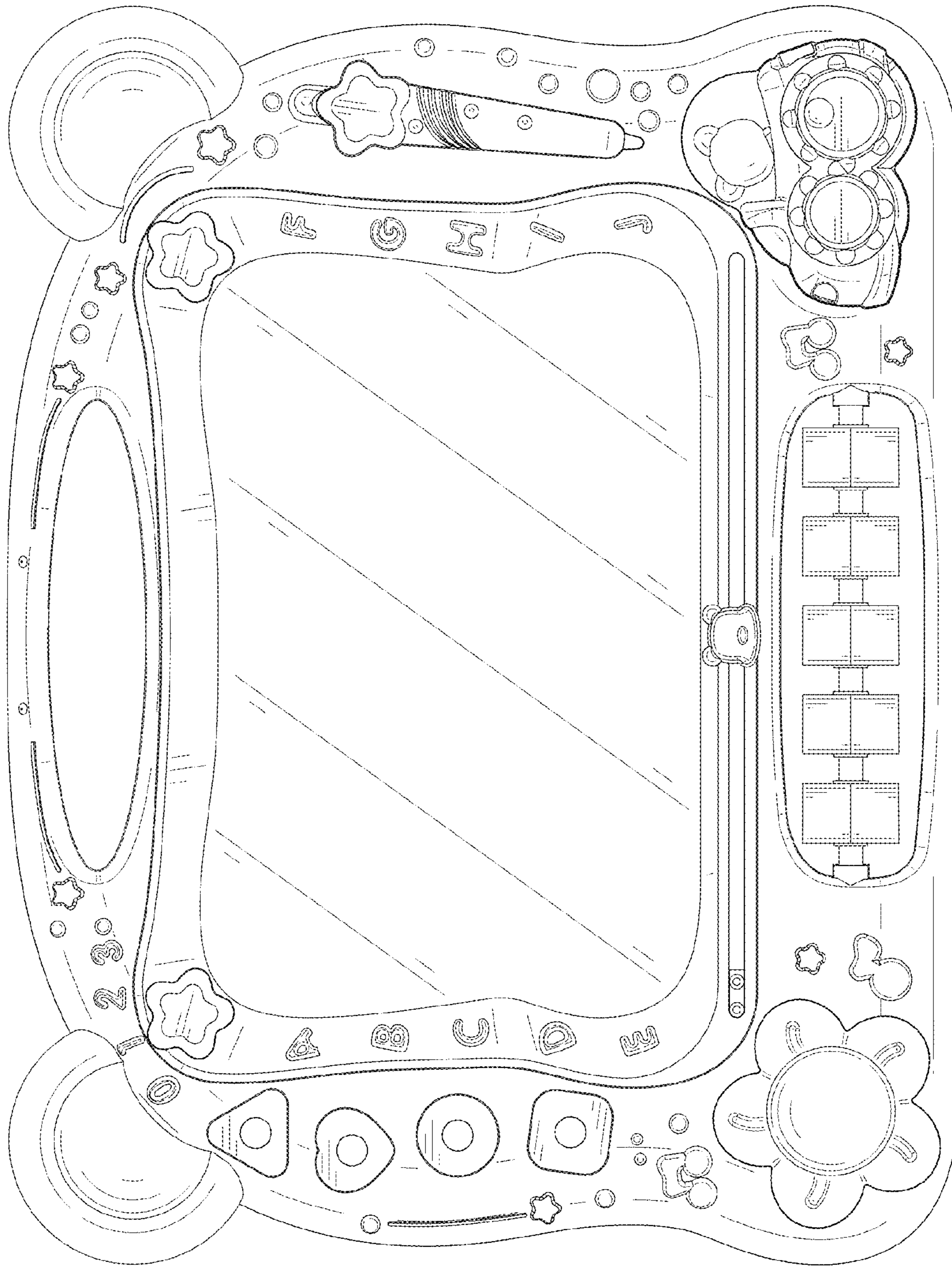


FIG. 3

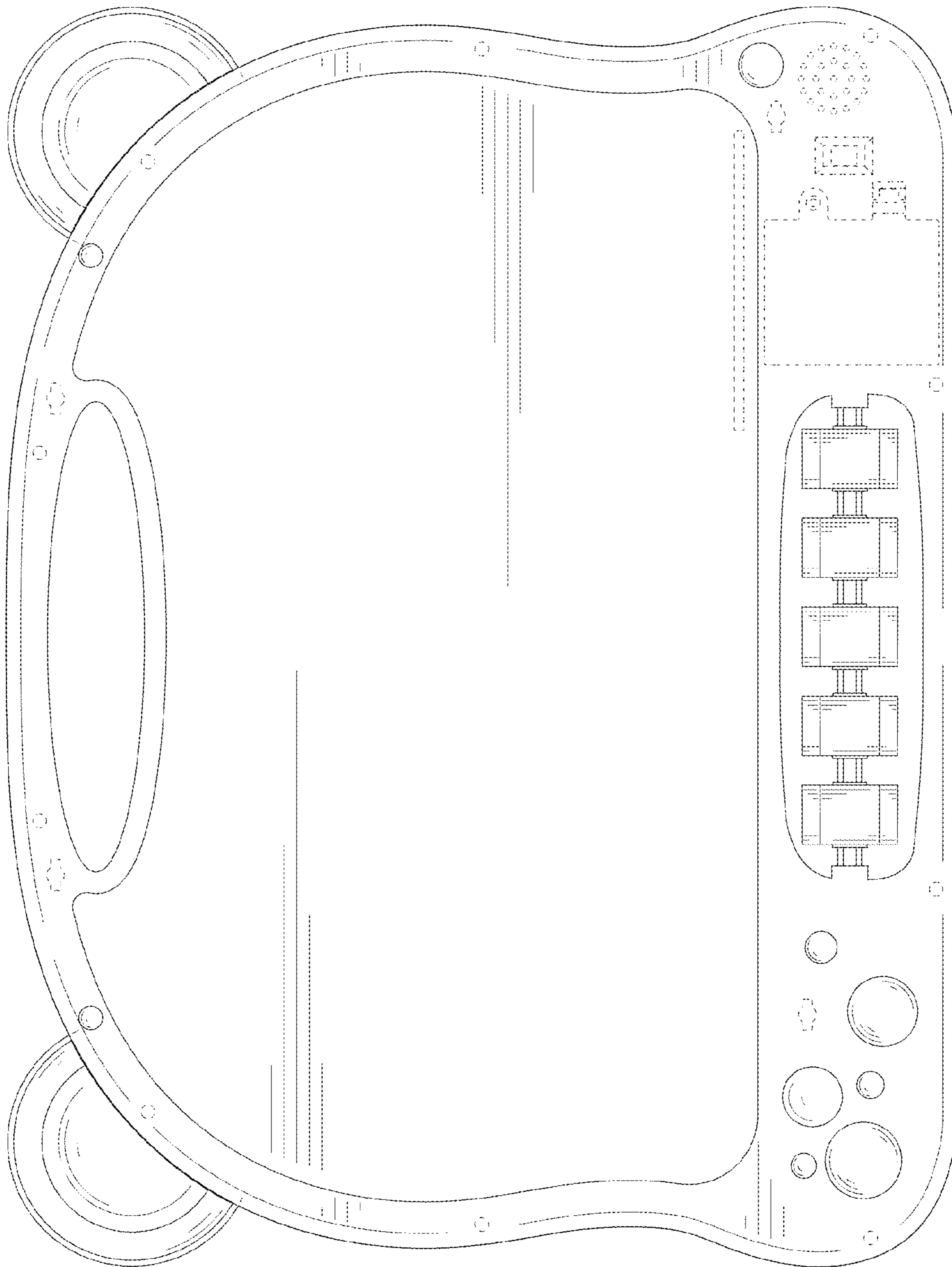


FIG. 4

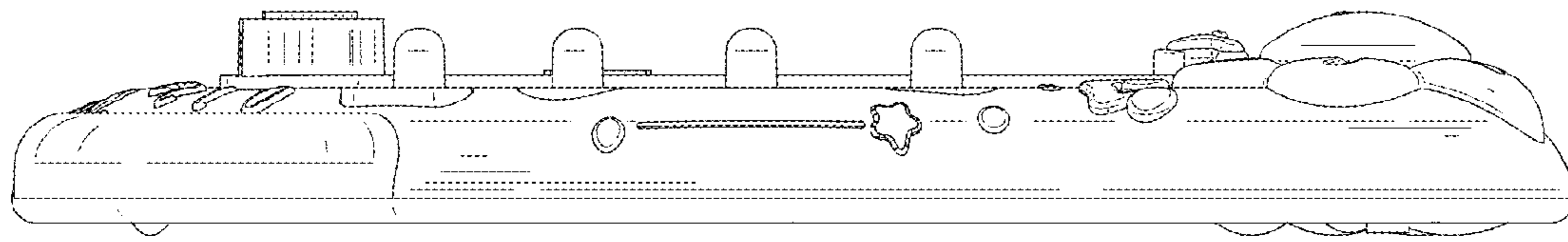


FIG. 5

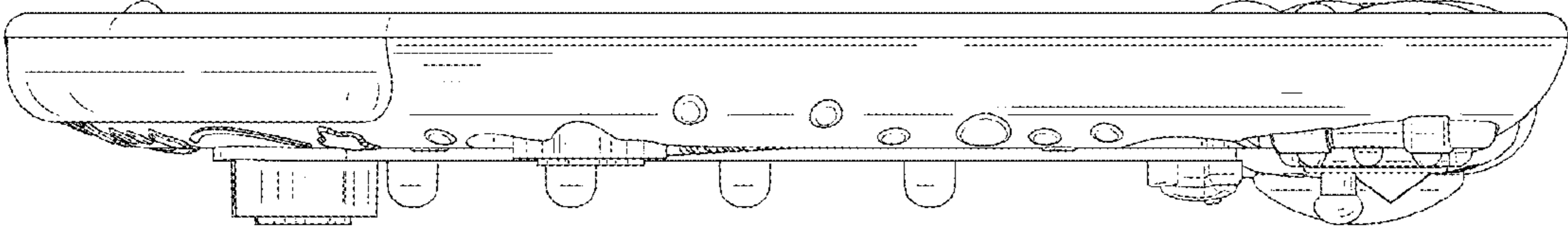


FIG. 6

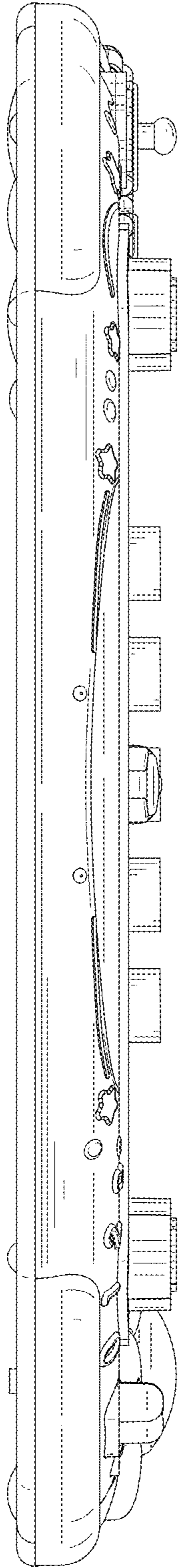


FIG. 7

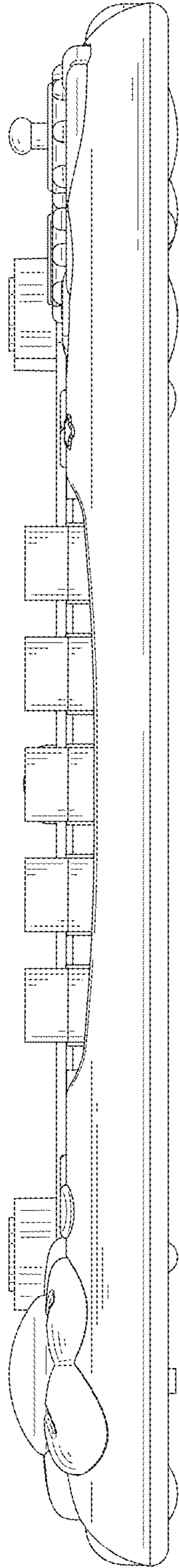


FIG. 8