

US00D974488S

(12) **United States Design Patent**
Yin

(10) **Patent No.:** **US D974,488 S**
(45) **Date of Patent:** **** Jan. 3, 2023**

(54) **EDUCATIONAL TOY**
(71) Applicant: **DONGGUAN BLUE OCEAN GIFTS LIMITED**, Dongguan (CN)
(72) Inventor: **Jun Yin**, Taiyuan (CN)

D872,799 S 1/2020 Royace
D921,118 S * 6/2021 Yu D21/350
D924,336 S * 7/2021 Yu D21/341
D924,980 S * 7/2021 Yu D21/341
D930,084 S * 9/2021 Ye D21/468
D937,359 S * 11/2021 Chen D21/360

(Continued)

(**) Term: **15 Years**

FOREIGN PATENT DOCUMENTS

(21) Appl. No.: **29/791,464**

CN 307151780 * 11/2021

(22) Filed: **Jan. 12, 2022**

OTHER PUBLICATIONS

(30) **Foreign Application Priority Data**

“Pop It Notebook”, Nov. 7, 2021, Youtube, site visited Sep. 13, 2022: https://www.youtube.com/watch?v=_8XdNe_ktdA (Year: 2021).*

Aug. 17, 2021 (CN) 202130533239.6

(Continued)

(51) **LOC (14) Cl.** **21-01**

(52) **U.S. Cl.**
USPC **D21/468**

Primary Examiner — Jack Reickel

Assistant Examiner — Salamah Jordan

(58) **Field of Classification Search**
USPC D21/334, 338–346, 350, 377, 385, 473, D21/475, 478, 491, 512, 406, 444; D19/686, 687, 662, 797, 688, 484, 671, D19/690, 792, 780, 698, 500, 501, 499; D7/550.1, 553.4, 553.5, 553.7, 553.8, D7/555–557, 611, 701, 702, 708, 624.1, D7/357, 359, 672, 675, 677, 388, 409, D7/410; D9/758

(74) *Attorney, Agent, or Firm* — Rumit Ranjit Kanakia

CPC A63B 21/078; A63H 5/00; A63H 33/00; A63H 33/001; A63F 3/00214; A63F 3/00533; A63F 3/00574; A63F 3/00697; A63F 3/0415; A63F 3/06; A63F 3/062; A63F 3/0625; A63F 3/0635; A63F 3/0695; A63F 2003/00258; A63F 2003/00394; A63F 2003/00397; A63F 2003/004; A63F 2003/00457; A63F 2003/00504; A63F 2003/0418

(57) **CLAIM**

The ornamental design for an educational toy, as shown and described.

See application file for complete search history.

DESCRIPTION

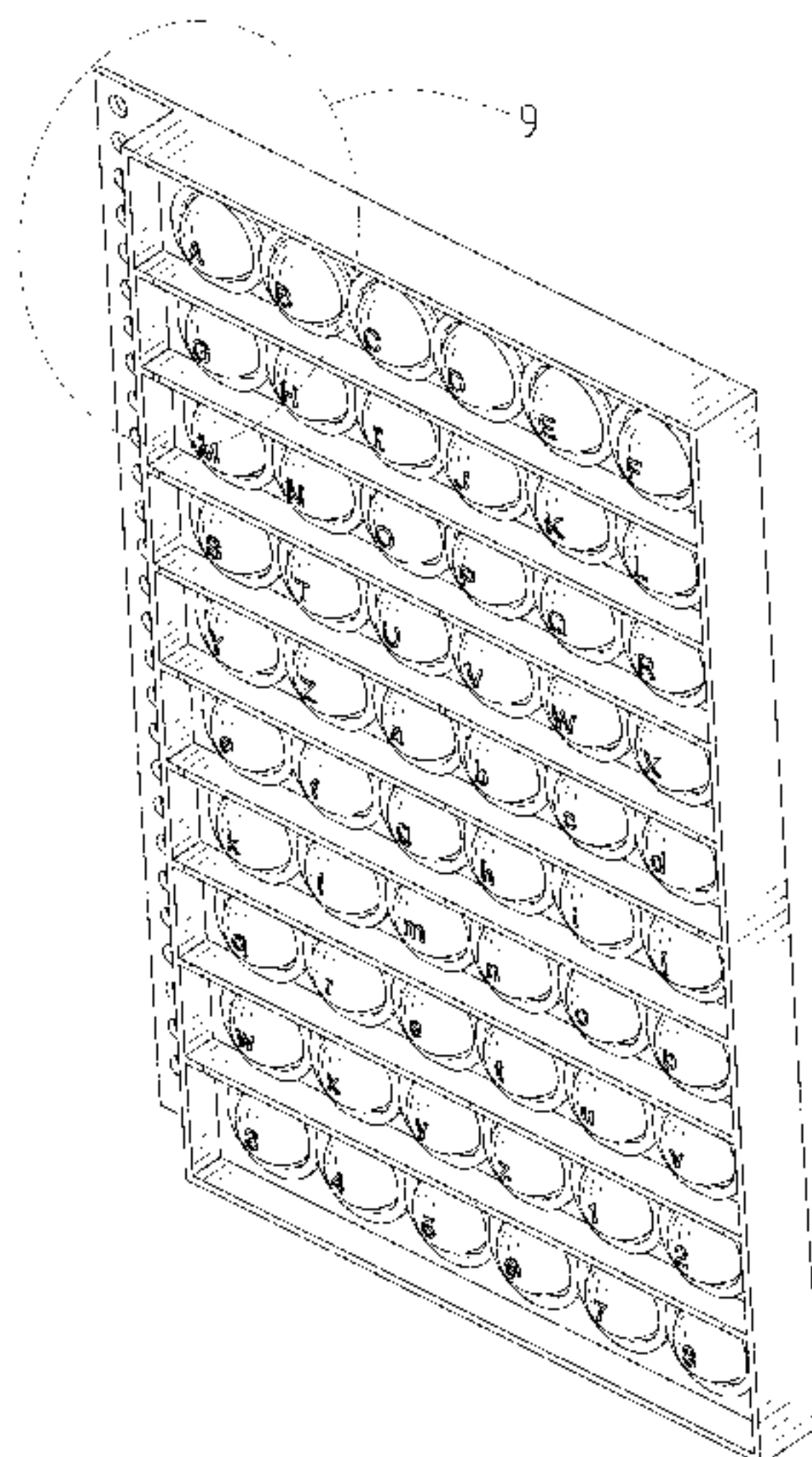
FIG. 1 is a first perspective view of an educational toy showing my new design;
FIG. 2 is a second perspective view thereof;
FIG. 3 is a front view thereof;
FIG. 4 is a back view thereof;
FIG. 5 is a left side view thereof;
FIG. 6 is a right side view thereof;
FIG. 7 is a top view thereof;
FIG. 8 is a bottom view thereof;
FIG. 9 is an enlarged view of the selected portion in FIG. 1; and,
FIG. 10 is an enlarged view of the selected portion in FIG. 2.

(56) **References Cited**

U.S. PATENT DOCUMENTS

D538,346 S 3/2007 Ronan
D700,653 S 3/2014 Mahar

1 Claim, 10 Drawing Sheets



(56)

References Cited

U.S. PATENT DOCUMENTS

D939,635	S	*	12/2021	Chen	D21/468
D941,398	S	*	1/2022	Zhang	D21/468
D943,026	S	*	2/2022	Yu	D21/350
D944,332	S	*	2/2022	Yu	D21/468
D946,660	S	*	3/2022	Deng	D21/350
D947,953	S	*	4/2022	Cui	D21/468
D948,630	S	*	4/2022	Yu	D21/468
D950,649	S	*	5/2022	Deng	D21/468
D952,748	S	*	5/2022	Li	D21/350
D953,440	S	*	5/2022	Li	D21/468
D955,485	S	*	6/2022	Huang	D21/303
D955,499	S	*	6/2022	Li	D21/468
2019/0299088	A1	*	10/2019	Nevgi	A63F 9/1208

OTHER PUBLICATIONS

“Pop Push Bubble Fidget Line Spiral Notebook” Youtube, site visited Sep. 13, 2022: <https://www.youtube.com/watch?v=WvKkSRncnFc> (Year: 2022).*

* cited by examiner

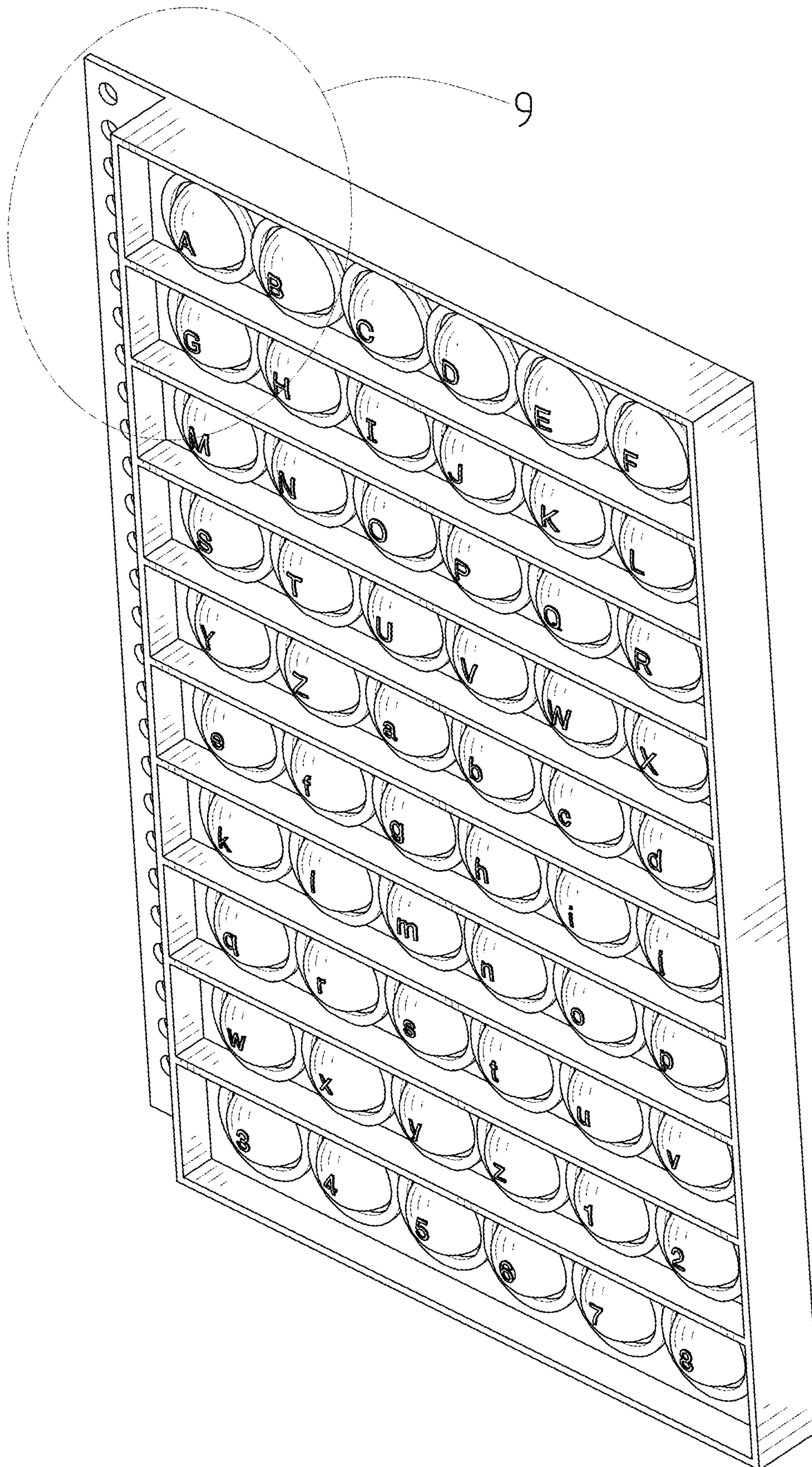


FIG. 1

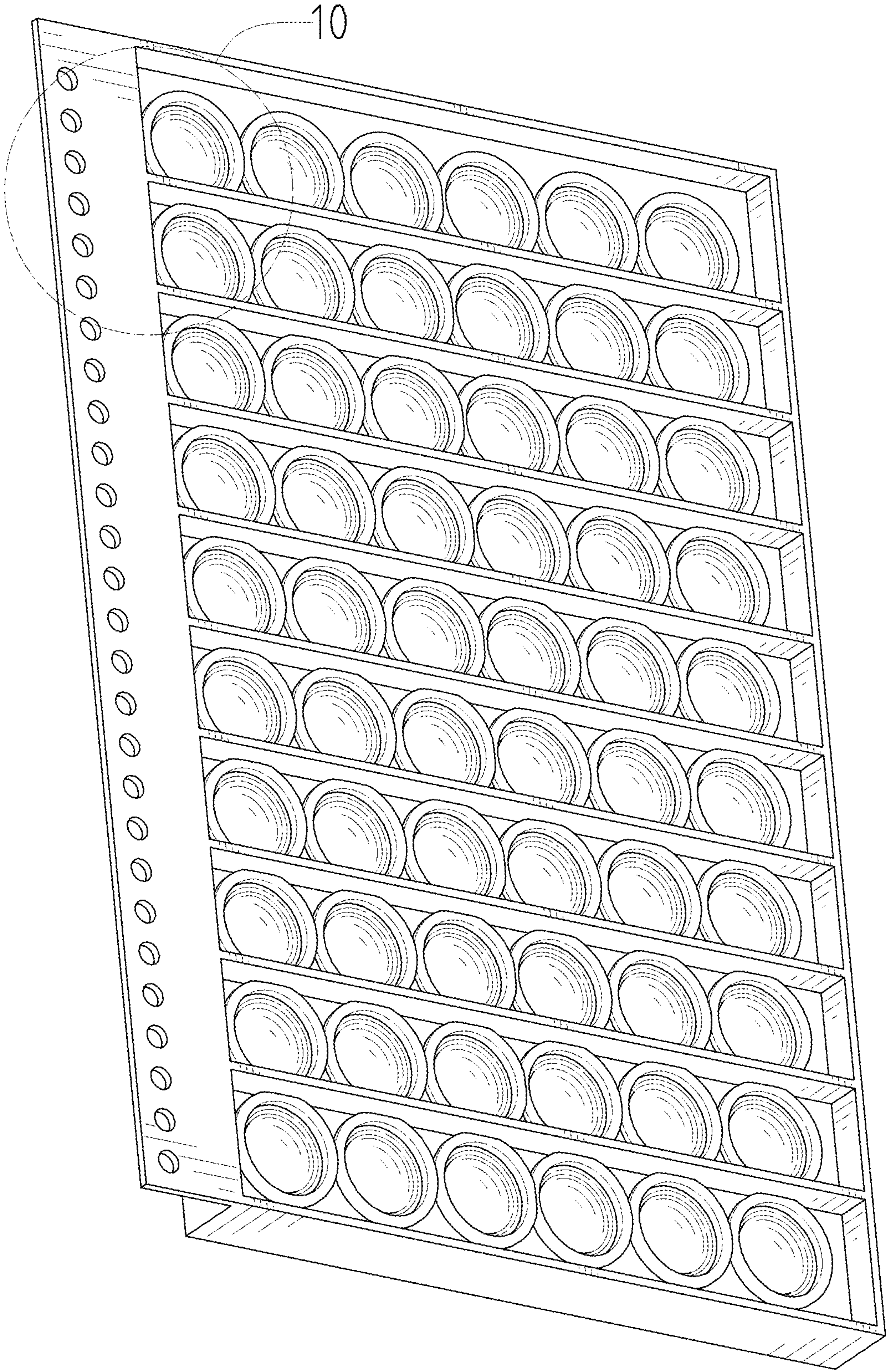


FIG. 2

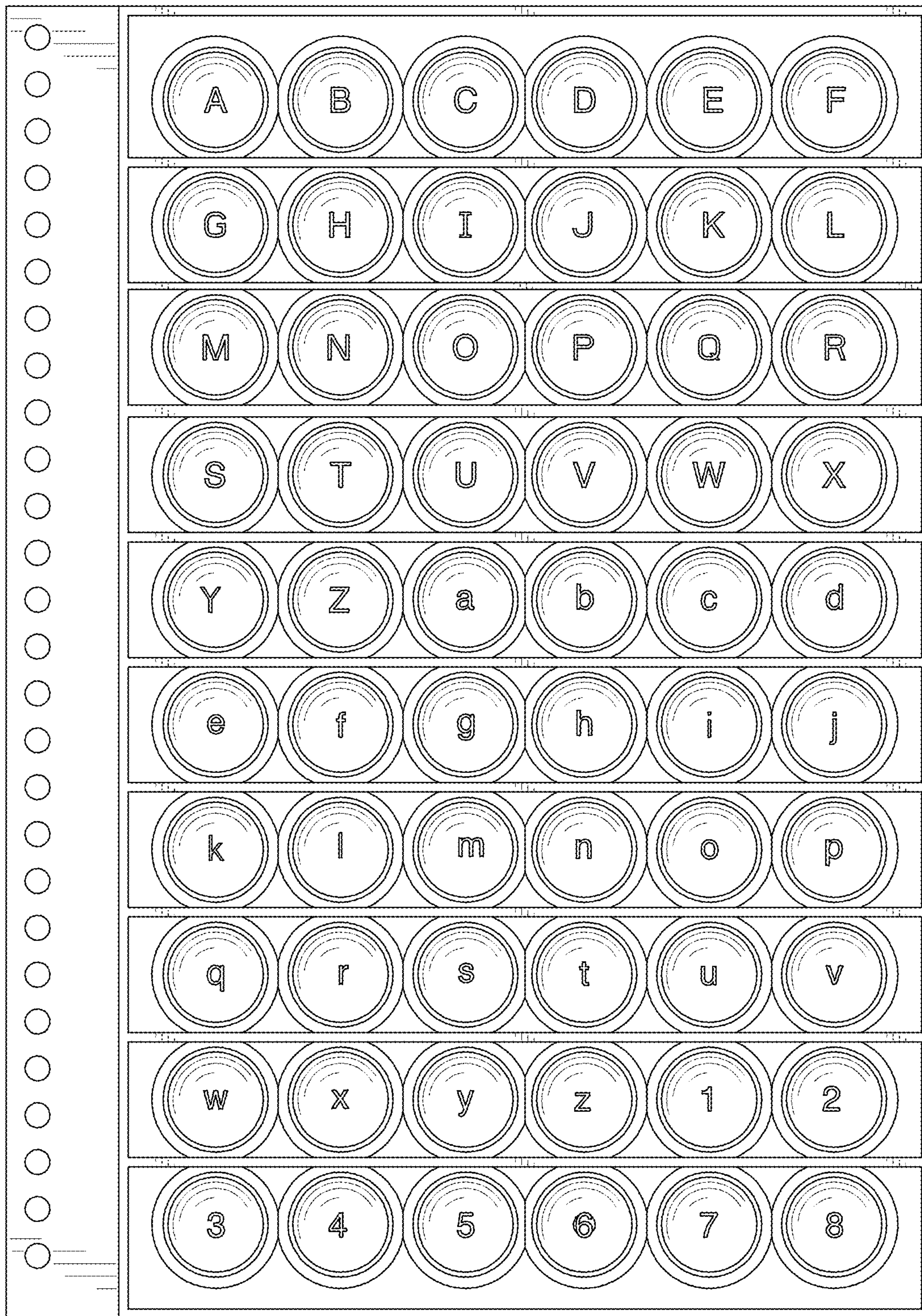


FIG. 3

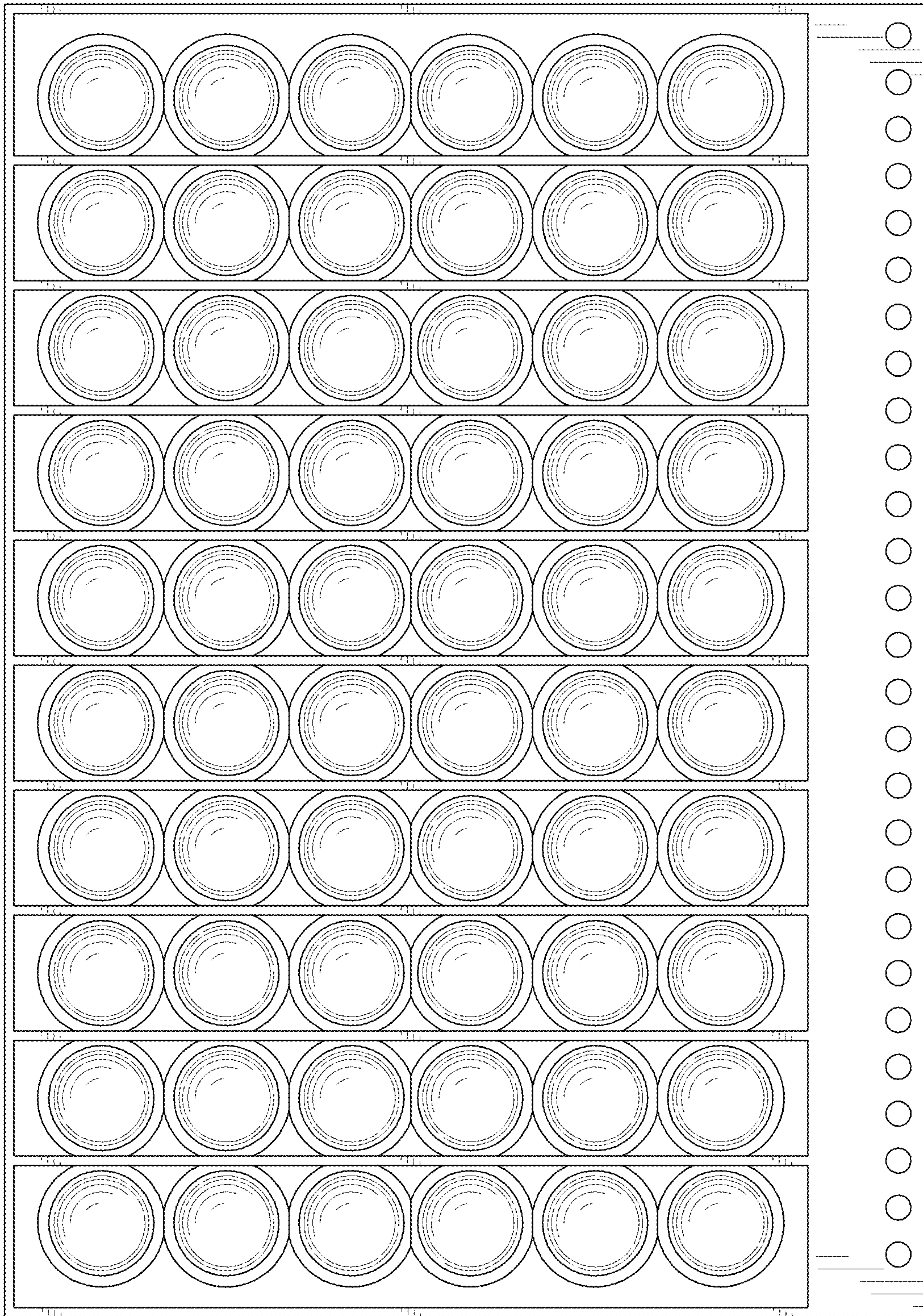


FIG. 4

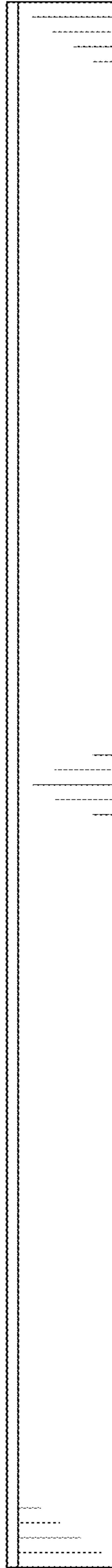


FIG. 5

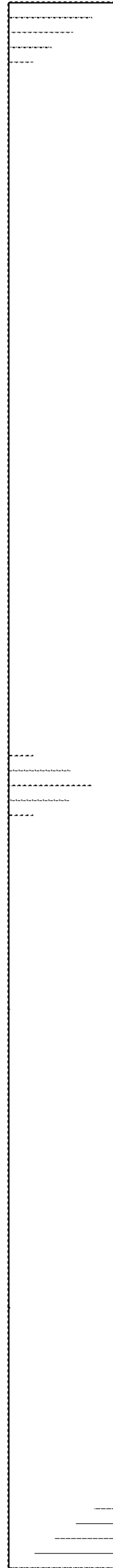


FIG. 6

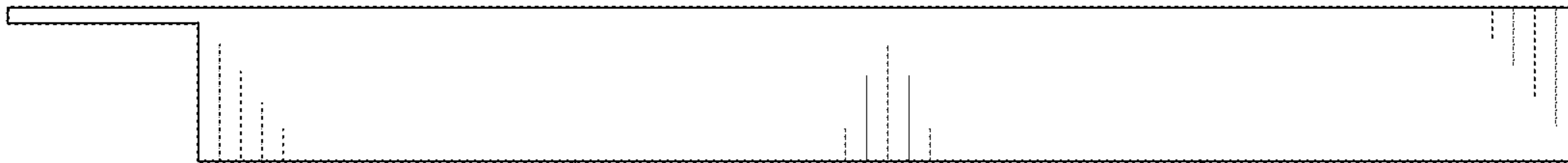


FIG. 7

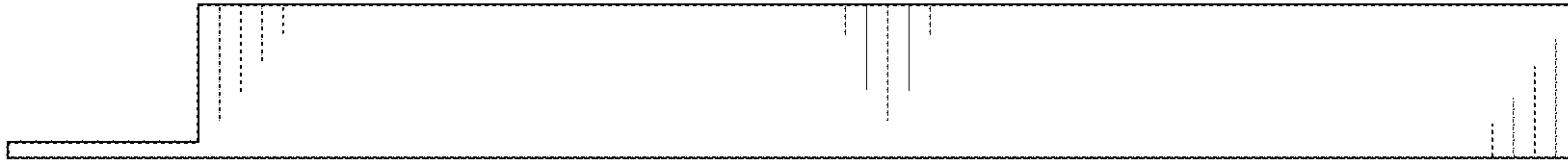


FIG. 8

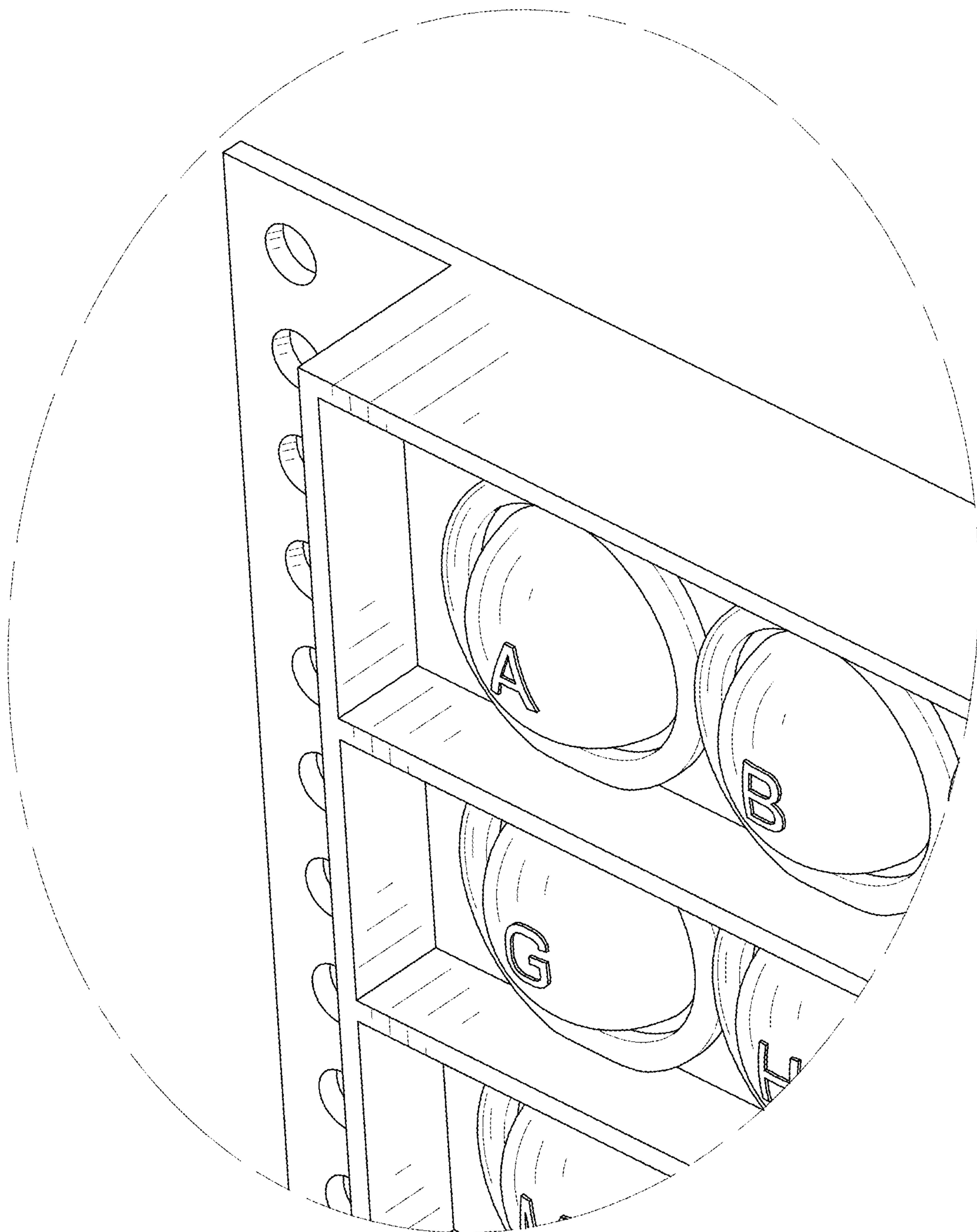


FIG. 9

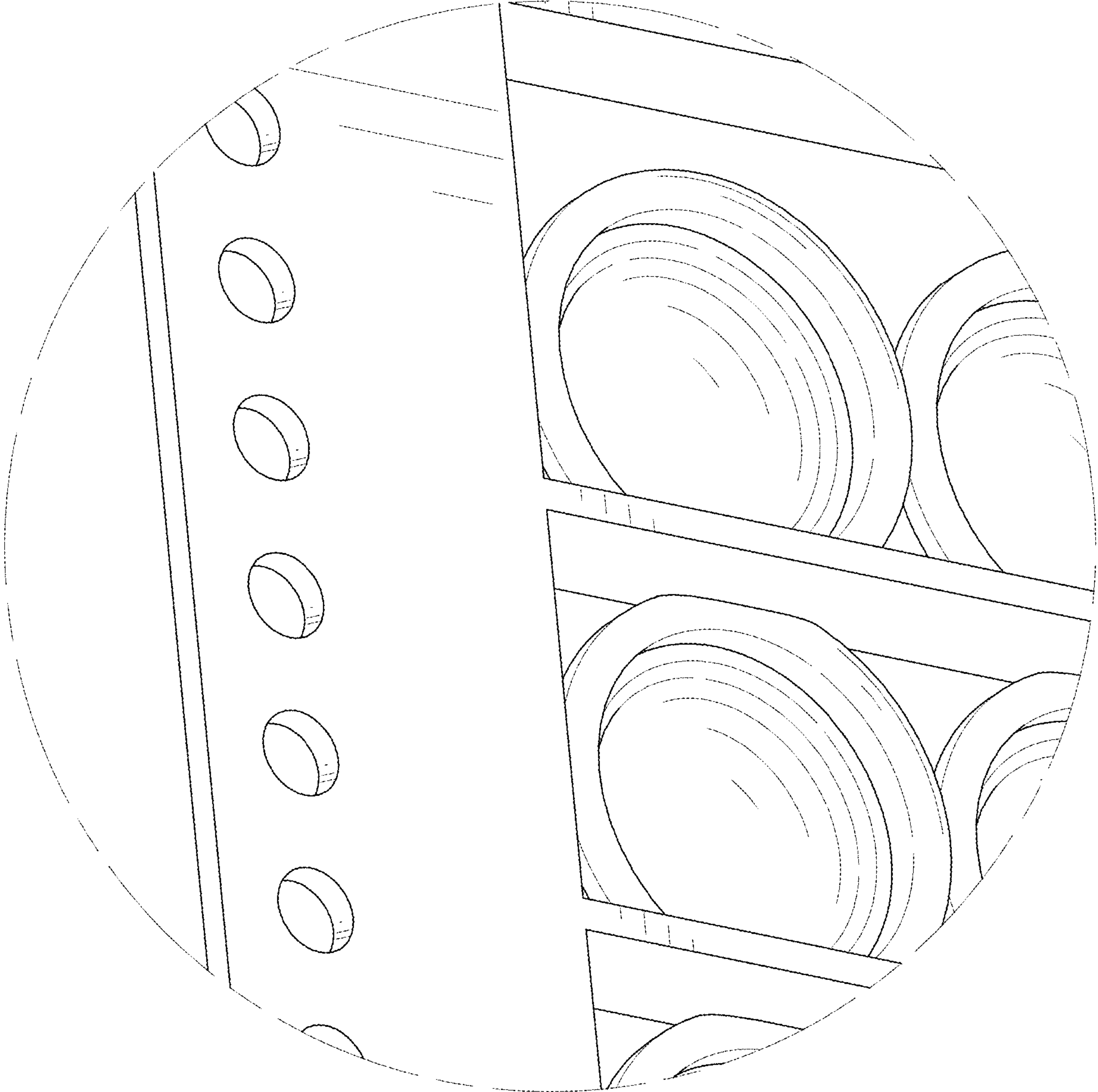


FIG. 10