



US00D974486S

(12) **United States Design Patent**  
**Chen et al.**

(10) **Patent No.:** **US D974,486 S**  
(45) **Date of Patent:** **\*\* Jan. 3, 2023**

(54) **COMPONENT FOR LAUNCH TOY**

(71) Applicants: **Minxuan Chen**, Chaozhou (CN);  
**Mengye Yu**, Shantou (CN)

(72) Inventors: **Minxuan Chen**, Chaozhou (CN);  
**Mengye Yu**, Shantou (CN)

(\*\*) Term: **15 Years**

(21) Appl. No.: **29/849,179**

(22) Filed: **Aug. 9, 2022**

(51) **LOC (14) Cl.** ..... **21-01**

(52) **U.S. Cl.**  
USPC ..... **D21/454**

(58) **Field of Classification Search**  
USPC ..... D21/454, 484, 490, 493, 509, 564, 565,  
D21/802, 818, 821  
CPC ..... A63H 19/24; A63H 19/28; A63H 19/30;  
A63H 19/32; A63H 19/36; A63H 21/00;  
A63H 21/02; A63H 21/04; A63H 18/00;  
A63H 18/02; A63H 18/021; A63H  
18/025; A63H 18/028; A63H 18/04;  
A63H 18/06; A63H 18/16; E01B 23/00;  
E01B 23/02; E01B 23/04; E01B 23/06  
See application file for complete search history.

(56) **References Cited**

**U.S. PATENT DOCUMENTS**

D203,937 S *	3/1966	Dunbar	.....	D21/564
D246,196 S *	10/1977	Suzuki	.....	D21/564
D248,887 S *	8/1978	Tanaka	.....	D21/564
D351,432 S *	10/1994	Dudeck	.....	D21/454
D412,949 S *	8/1999	Nielsen	.....	D21/493
D421,281 S *	2/2000	Riley	.....	D21/564
6,926,579 B2 *	8/2005	Rappaport	.....	F41B 11/66 446/212
D663,787 S	7/2012	Mimlitch, III et al.		

(Continued)

**OTHER PUBLICATIONS**

Foot Pneumatic Racer, 1 Toy Car Launcher, Jan. 27, 2022, amazon.ca, Nov. 3, 2022, URL: <https://www.amazon.ca/Pneumatic-Launcher-Sticker-Finish-Outdoor/dp/B09Q36JV4Z/> (Year: 2022).\*

*Primary Examiner* — Keith J Wilson

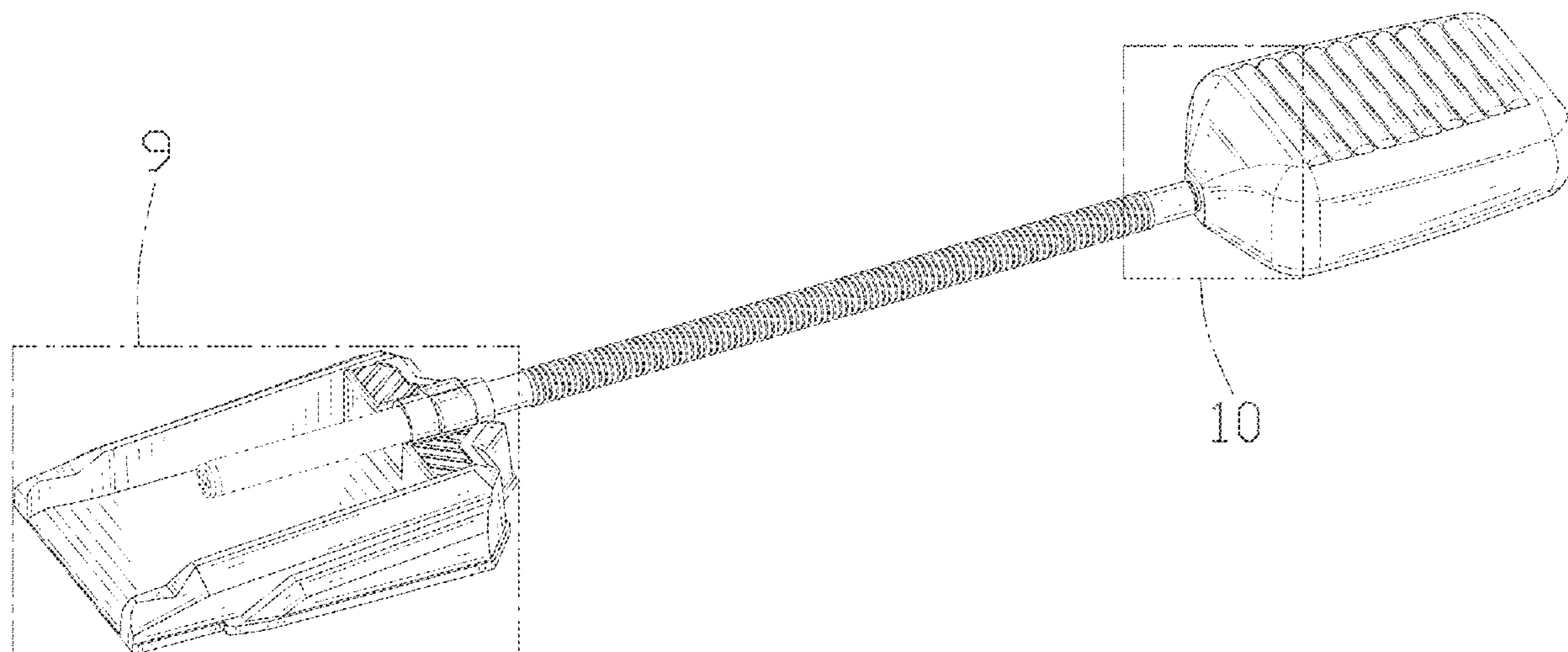
(57) **CLAIM**

The ornamental design for a component for launch toy, as shown and described.

**DESCRIPTION**

FIG. 1 is a front and top perspective view of a component for launch toy, showing our new design;  
FIG. 2 is a rear and bottom perspective view thereof;  
FIG. 3 is a front elevation view thereof;  
FIG. 4 is a rear elevation view thereof;  
FIG. 5 is a left side elevation view thereof;  
FIG. 6 is a right side elevation view thereof;  
FIG. 7 is an enlarged top plan view thereof;  
FIG. 8 is an enlarged bottom plan view thereof;  
FIG. 9 is an enlarged perspective view of detail “9” identified in FIG. 1;  
FIG. 10 is an enlarged perspective view of detail “10” identified in FIG. 1;  
FIG. 11 is an enlarged perspective view of detail “11” identified in FIG. 2;  
FIG. 12 is another perspective, view thereof, shown in a using position; and,  
FIG. 13 is another perspective view thereof, shown in a using position.  
The dashed lines in the figures illustrate portions of the component for launch toy that form no part of the claimed design. The dash dot dash lines in FIGS. 1, 2, 9, 10 and 11 are for the purpose of depicting the boundary lines of the enlarged views and form no part of the claimed design. The broken lines showing of a toy car, flags and a ski jump in FIG. 12 and FIG. 13 depict environmental structure that form no part of the claimed design.

**1 Claim, 13 Drawing Sheets**



(56)

**References Cited**

U.S. PATENT DOCUMENTS

D692,070	S	*	10/2013	Mimlitch, III	.....	D21/565
D707,757	S	*	6/2014	Mimlitch, III	.....	D21/565
D717,887	S	*	11/2014	Edwards	.....	D21/565
D725,718	S	*	3/2015	Feit	.....	D21/564
9,086,251	B2	*	7/2015	Cummings	.....	F41B 11/50
D741,957	S	*	10/2015	Beauregard	.....	D21/565
D828,880	S	*	9/2018	Tiffin	.....	D21/564
D832,369	S	*	10/2018	Johnson	.....	D21/564
D908,175	S	*	1/2021	Tang	.....	D21/454
D958,259	S	*	7/2022	Xu	.....	D21/454
2008/0265049	A1	*	10/2008	Stadlbauer	.....	A63H 18/02 238/10 F

\* cited by examiner

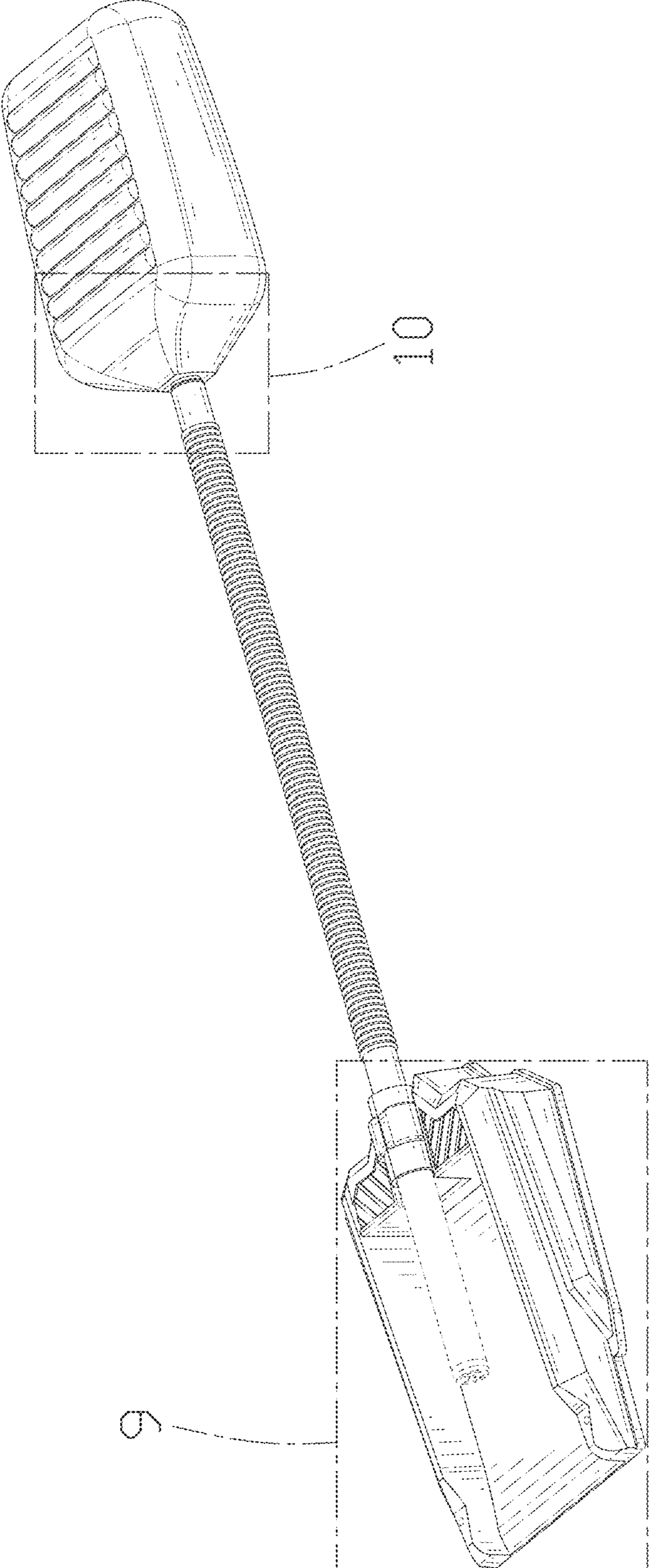


FIG. 1

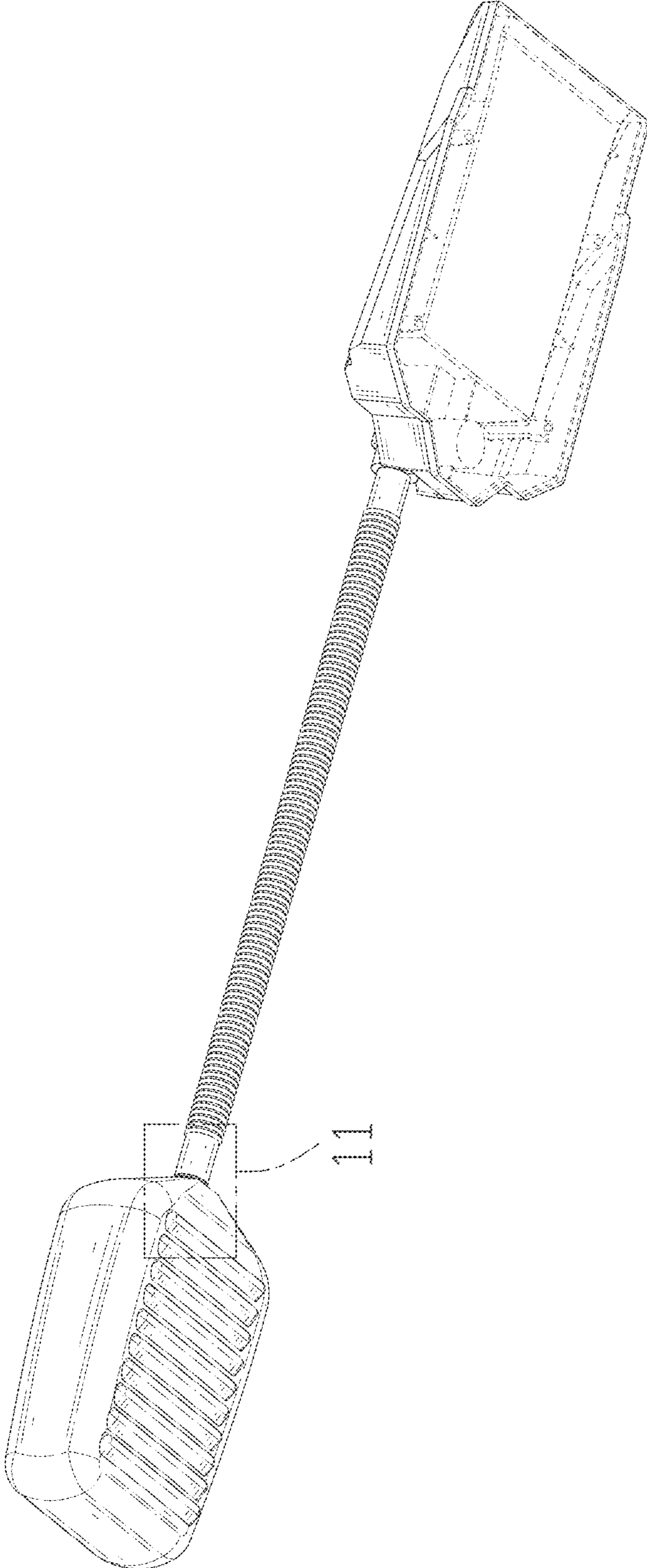


FIG. 2

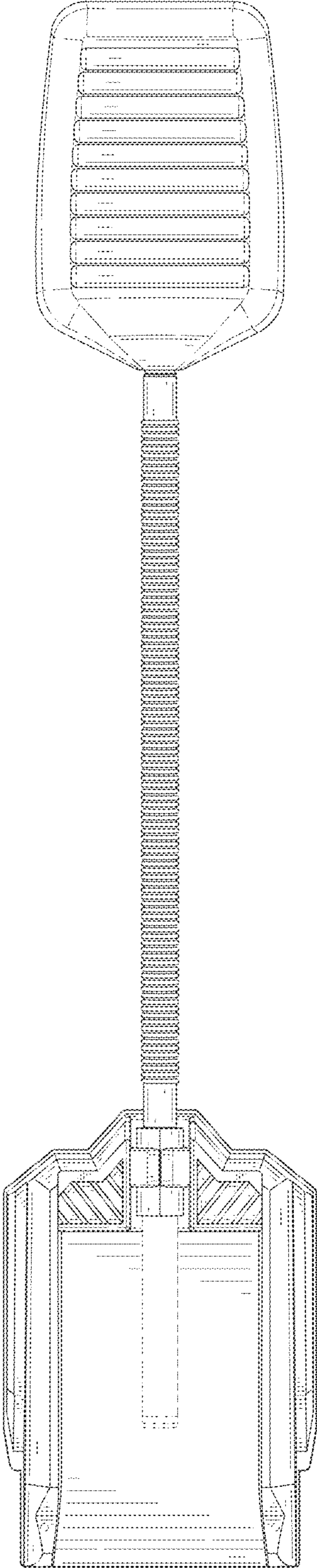


FIG. 3

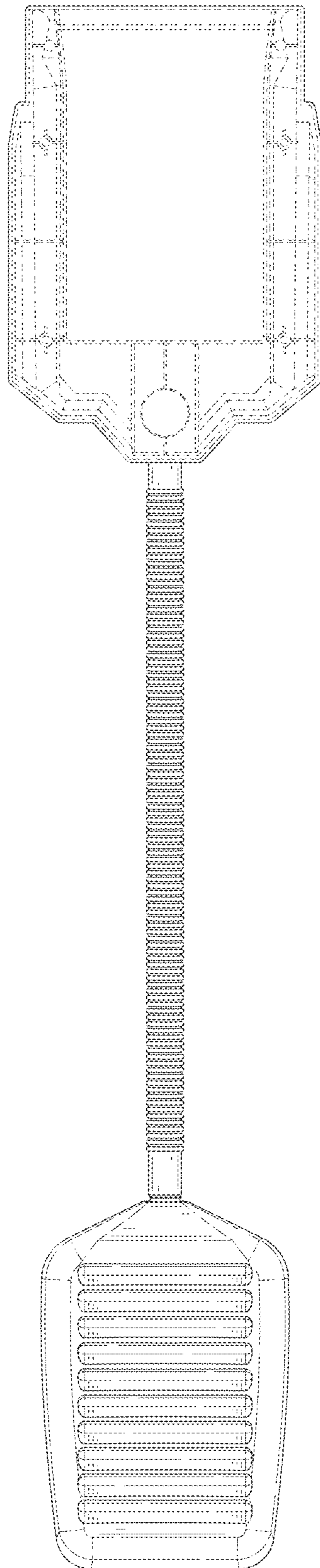


FIG. 4

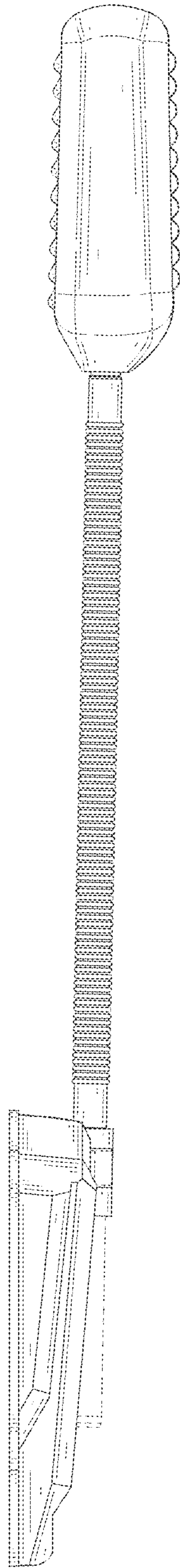


FIG. 5

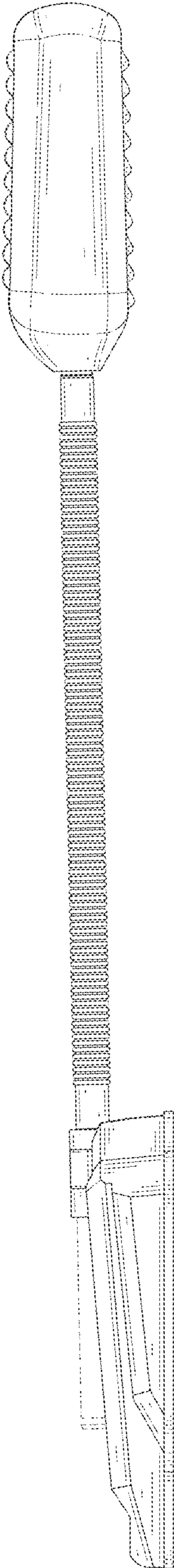


FIG. 6



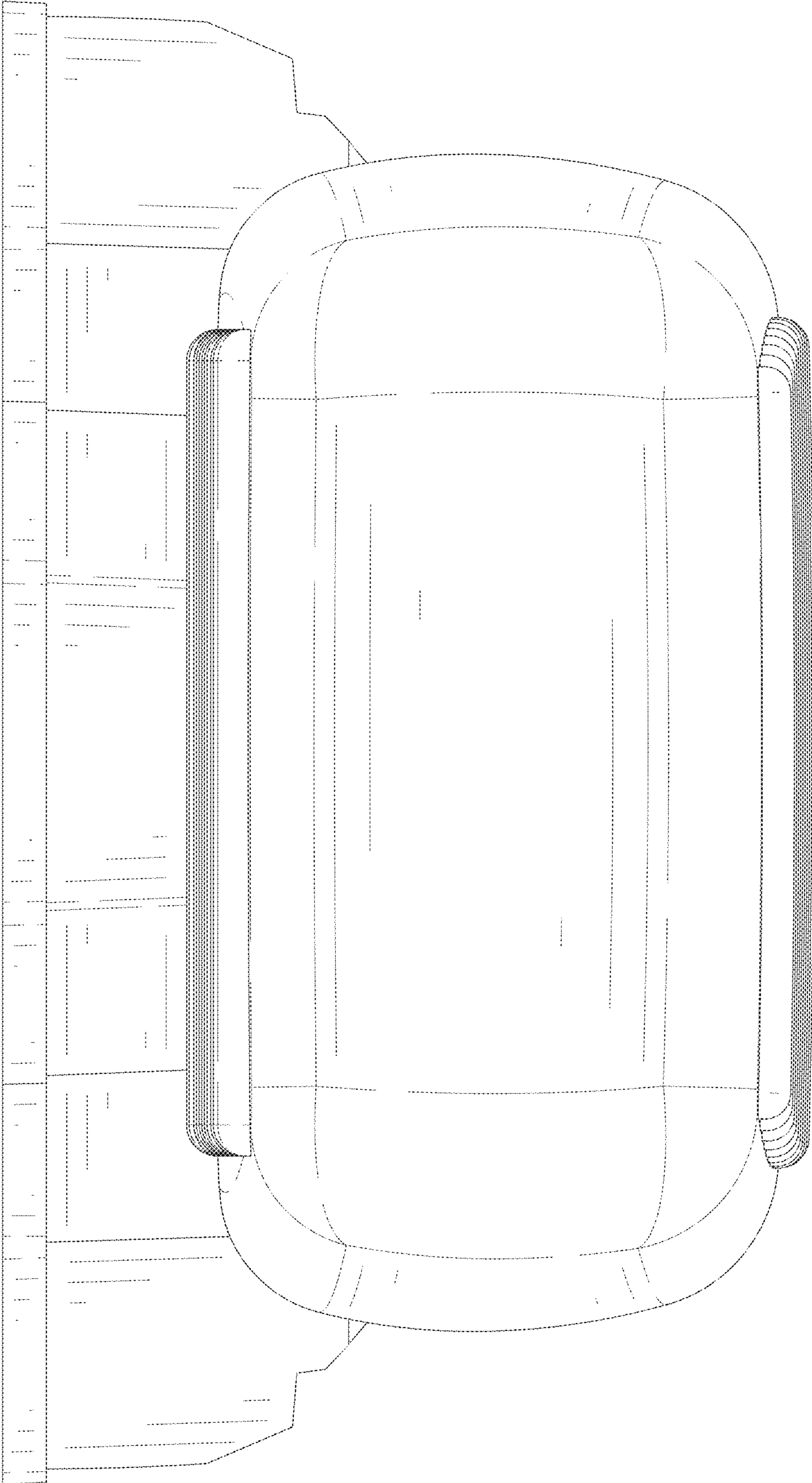


FIG. 7

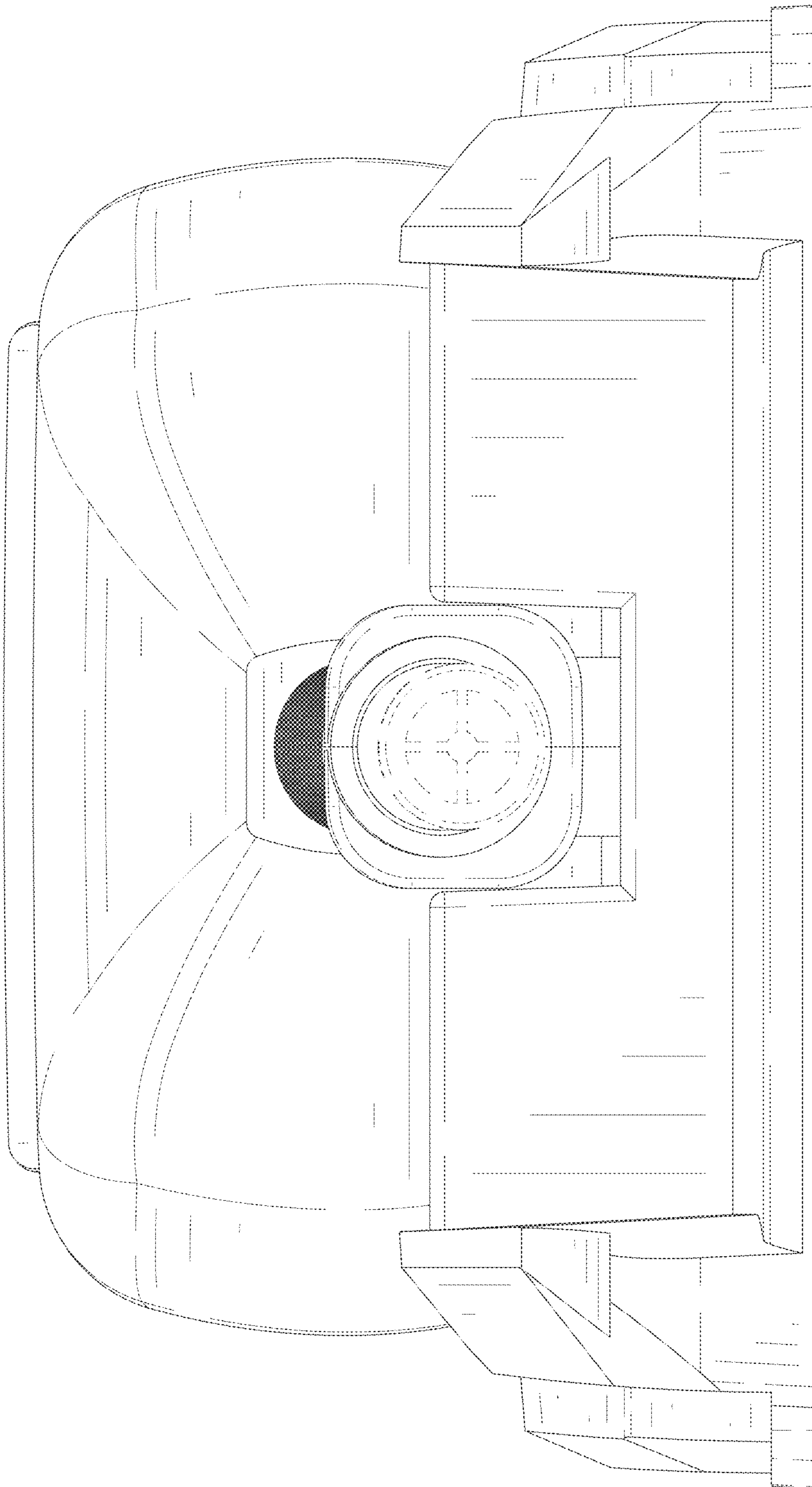


FIG. 8

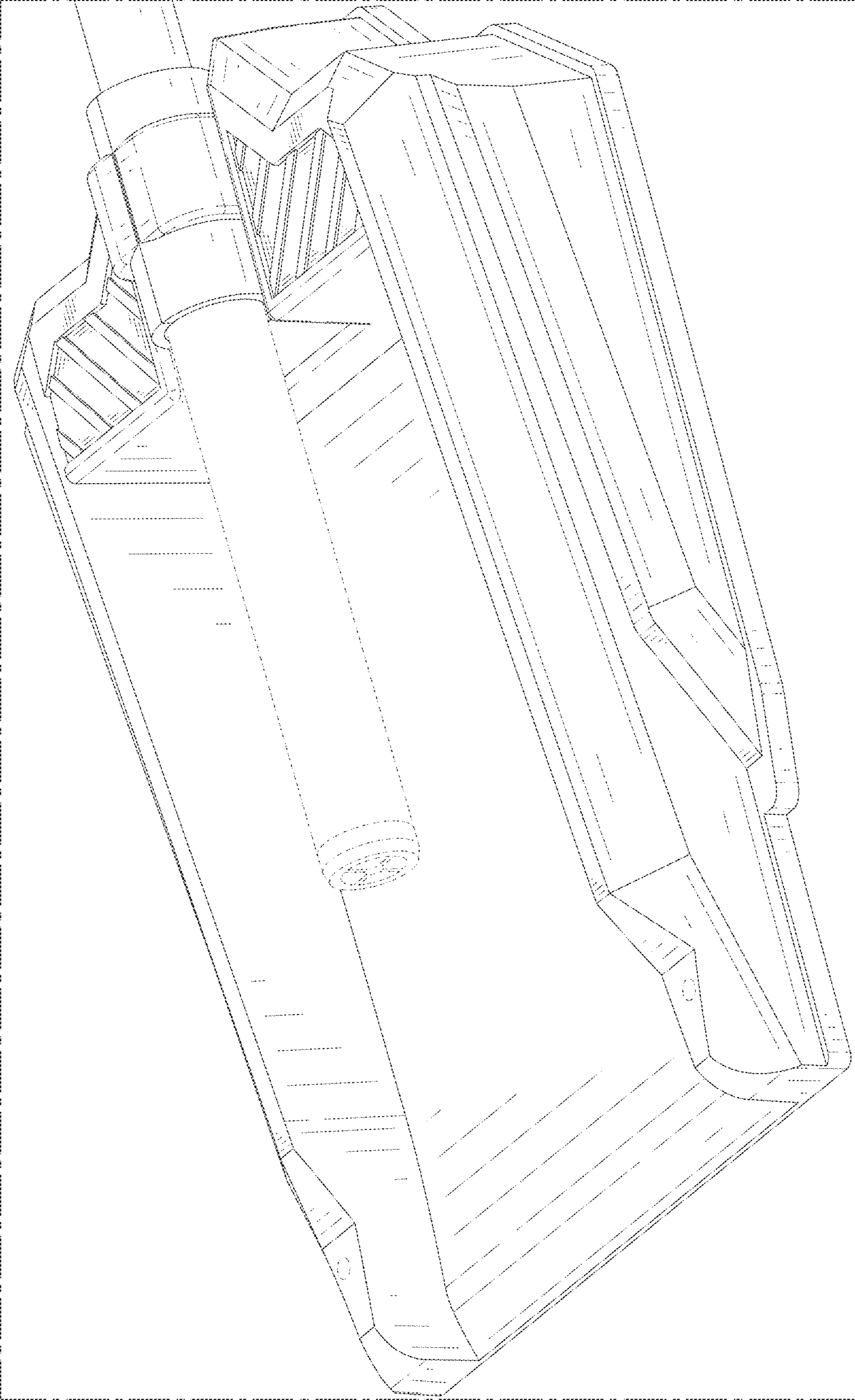


FIG. 9

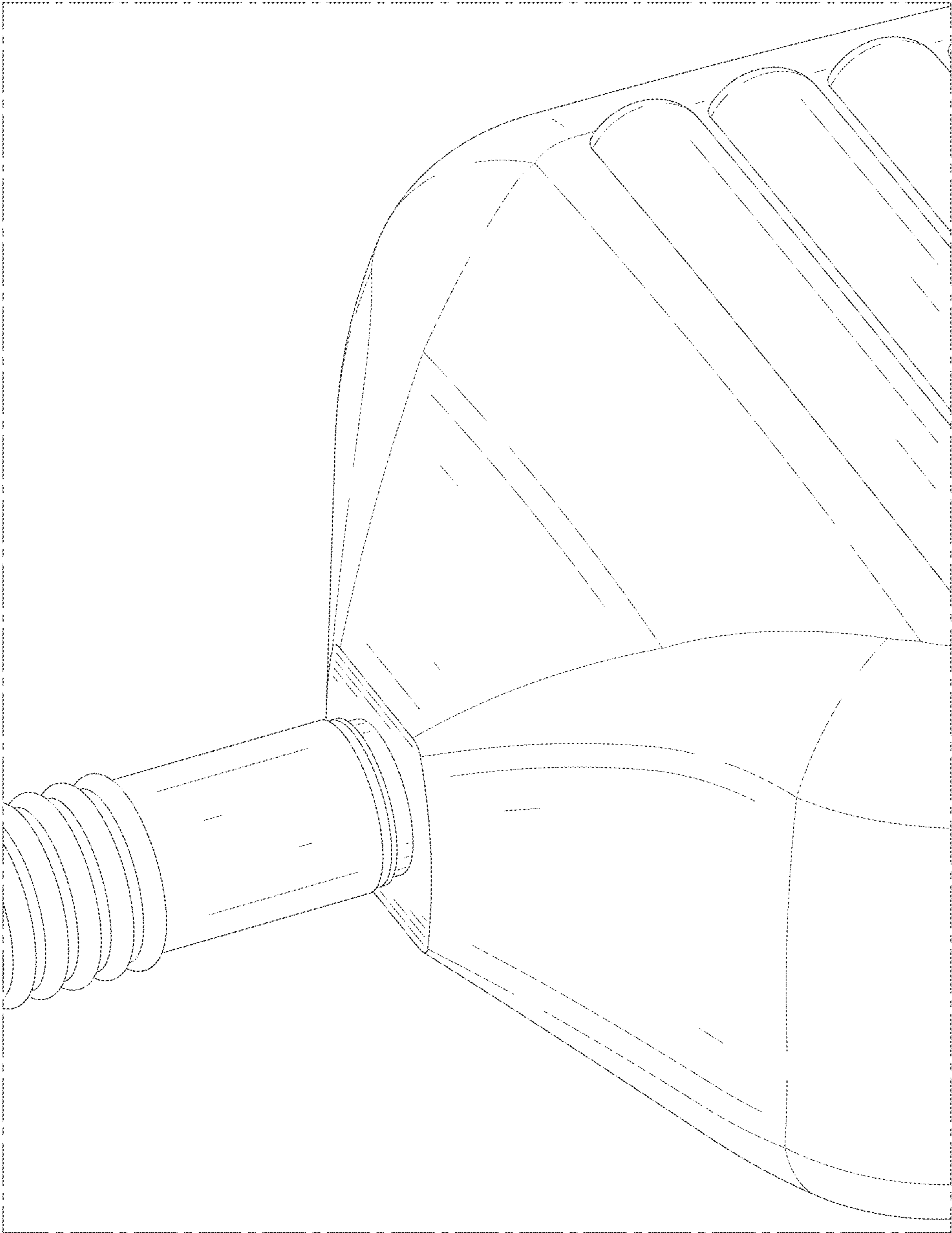


FIG. 10

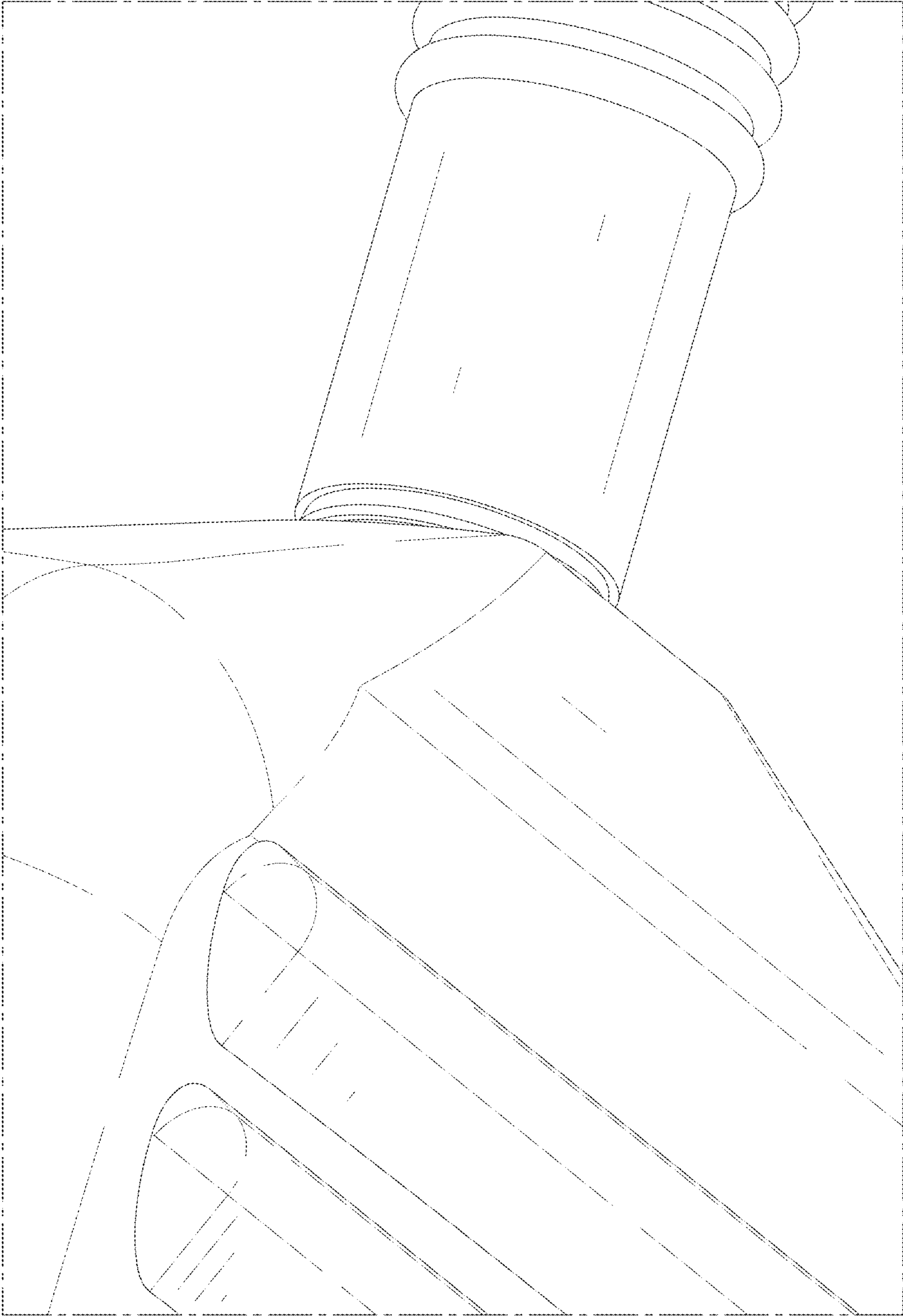


FIG. 11

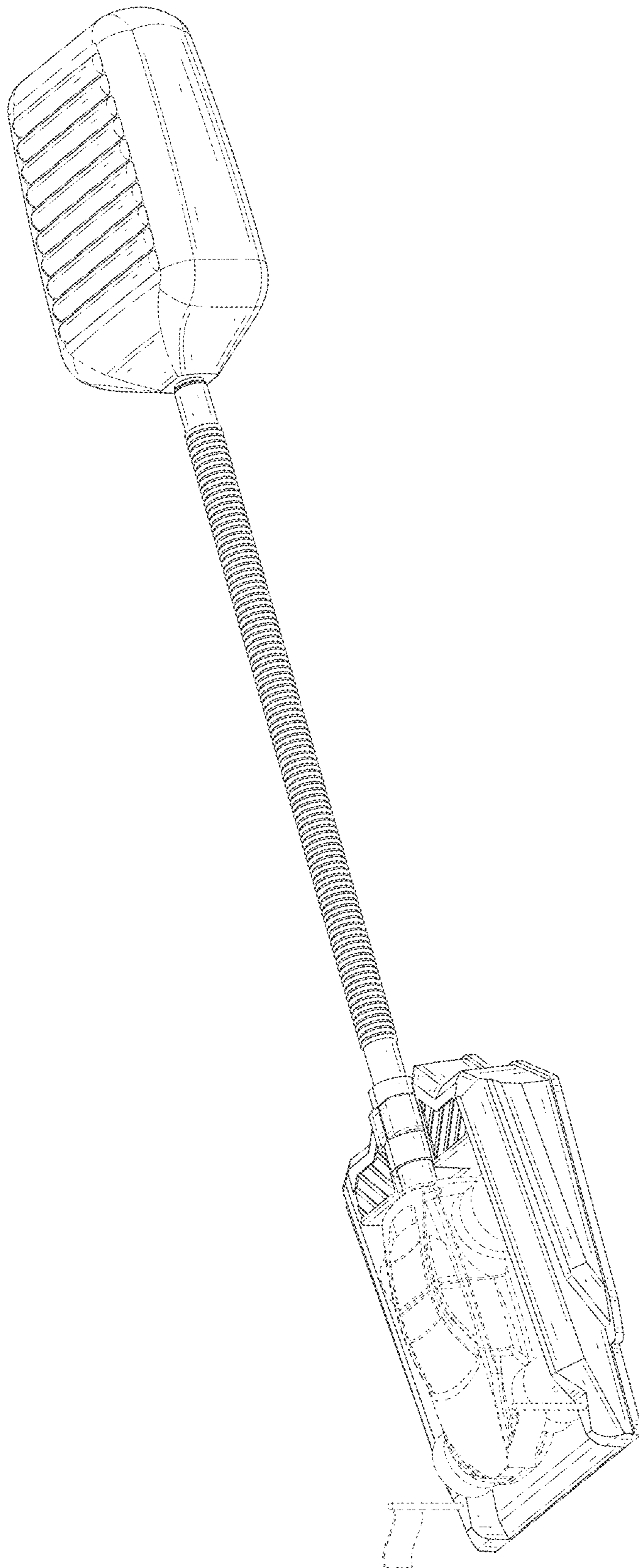


FIG. 12

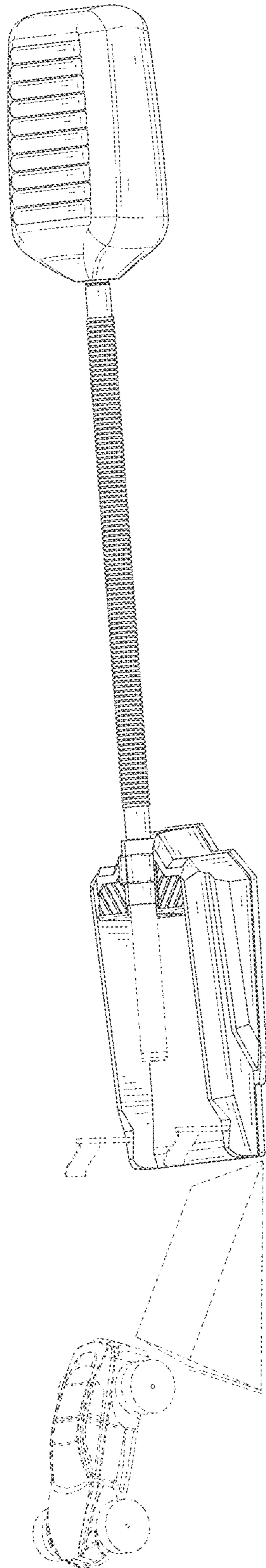


FIG. 13