



US00D974485S

(12) **United States Design Patent** (10) **Patent No.:** **US D974,485 S**
Xu (45) **Date of Patent:** **** Jan. 3, 2023**

(54) **SCOOTER**
(71) Applicant: **Century Hanmei (Tianjin) E-commerce Co., Ltd., Tianjin (CN)**
(72) Inventor: **Mei Xu, Tianjin (CN)**
(73) Assignee: **Century Hanmei (Tianjin) E-commerce Co., Ltd., Tianjin (CN)**

(**) Term: **15 Years**

(21) Appl. No.: **29/804,528**

(22) Filed: **Aug. 20, 2021**

(51) **LOC (14) Cl.** **21-01**

(52) **U.S. Cl.**
USPC **D21/423**

(58) **Field of Classification Search**
USPC D21/419, 421, 423, 432, 435, 760, 763, D21/771; D12/1, 110
CPC B62K 3/002; B62K 9/00; B62K 2202/00; B62K 15/00; B62K 2015/001; B62K 2015/003; B60Y 2200/126
See application file for complete search history.

(56) **References Cited**

U.S. PATENT DOCUMENTS

D698,868 S *	2/2014	Chan	D21/423
8,696,000 B1 *	4/2014	Chen	B62K 3/002
				280/87.041
D728,033 S *	4/2015	O'connell	D21/423
D736,861 S *	8/2015	Eckert	D21/423
D738,435 S *	9/2015	O'Connell	D21/423
9,227,688 B1 *	1/2016	Owen	B62K 3/002
9,809,271 B2 *	11/2017	Mazoyer	B62K 3/002
10,137,955 B1 *	11/2018	Wu	B62K 3/002
D884,085 S *	5/2020	Li	D21/423
D898,833 S *	10/2020	Mazoyer	D21/423
D908,807 S *	1/2021	Wang	D21/423
10,926,829 B2 *	2/2021	McGowan	B62K 5/05

D914,105 S *	3/2021	Mazoyer	D21/423
D921,767 S	6/2021	Singh		
D923,716 S	6/2021	Liu et al.		
11,440,608 B2 *	9/2022	Mazoyer	B62K 21/24
2014/0042717 A1 *	2/2014	Chan	B62K 3/002
				280/5.509
2016/0129965 A1 *	5/2016	Baron	B62K 3/002
				280/87.041
2018/0162476 A1 *	6/2018	Yan	B62K 15/006

(Continued)

Primary Examiner — Cynthia M. Chin

(74) *Attorney, Agent, or Firm* — ScienBiziP, P.C.

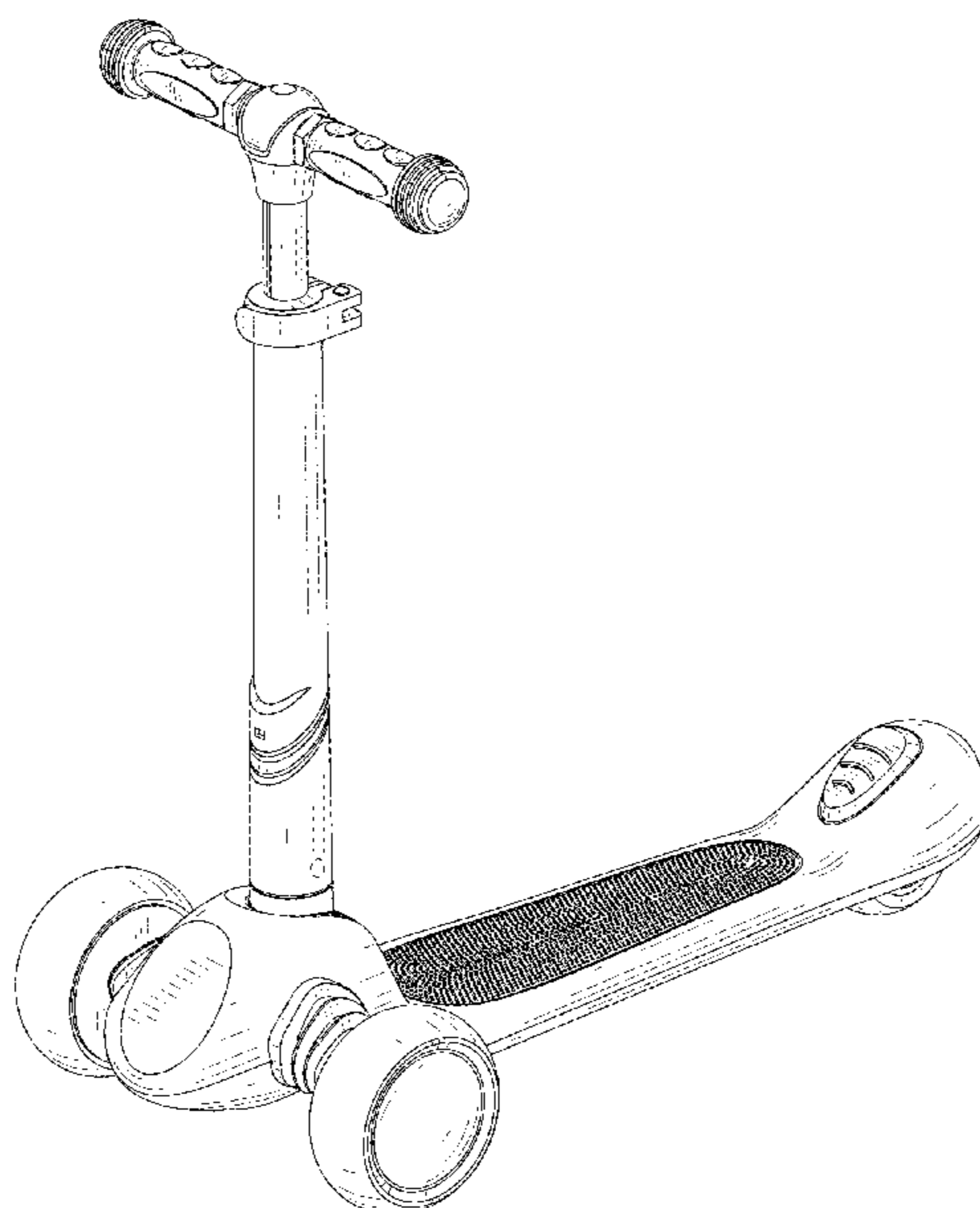
(57) **CLAIM**

The ornamental design for a scooter, as shown and described.

DESCRIPTION

FIG. 1 is a front, right, and top perspective view of a scooter, showing my design.
 FIG. 2 is a rear, left, and bottom perspective view thereof.
 FIG. 3 is a front elevation view thereof.
 FIG. 4 is a rear elevation view thereof.
 FIG. 5 is a left side elevation view thereof.
 FIG. 6 is a right side elevation view thereof.
 FIG. 7 is a top plan view thereof.
 FIG. 8 is a bottom plan view thereof.
 FIG. 9 is a partial enlarged view of a part of a handle in FIG. 1.
 FIG. 10 is a partial enlarged view of an area comprising a wheel in FIG. 1; and,
 FIG. 11 is another front, right, and top perspective view of the scooter, wherein the scooter is in a folded state.
 The dash-dot broken lines represent the boundaries of the enlarged partial views of FIGS. 9 & 10. All other broken lines represent portions of the scooter that form no part of the claimed design. None of the broken lines form a part of the claim.

1 Claim, 11 Drawing Sheets



(56)

References Cited

U.S. PATENT DOCUMENTS

2020/0156728 A1* 5/2020 Mazoyer B62K 21/16
2022/0119072 A1* 4/2022 Chen B62K 21/10

* cited by examiner

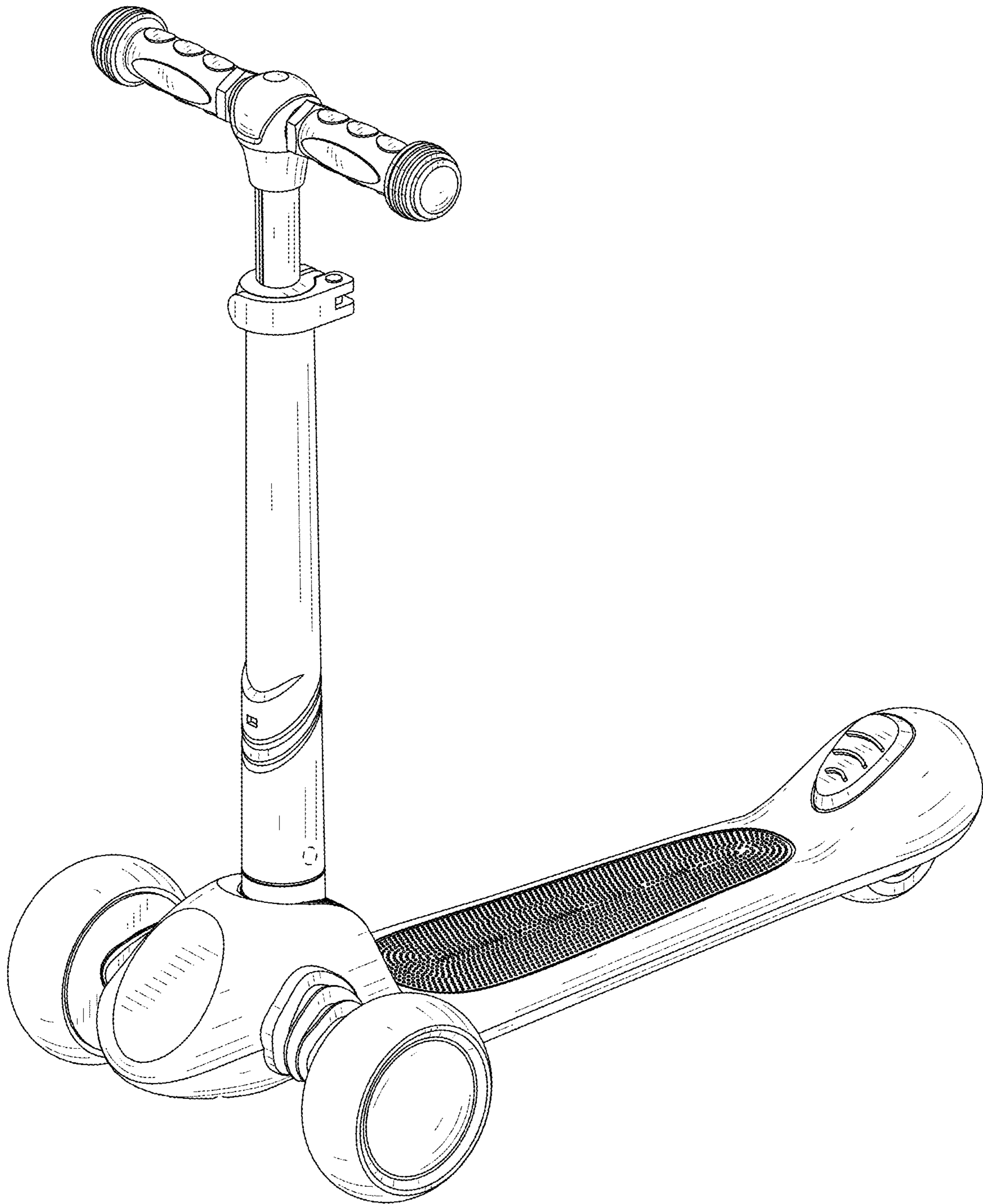


FIG. 1

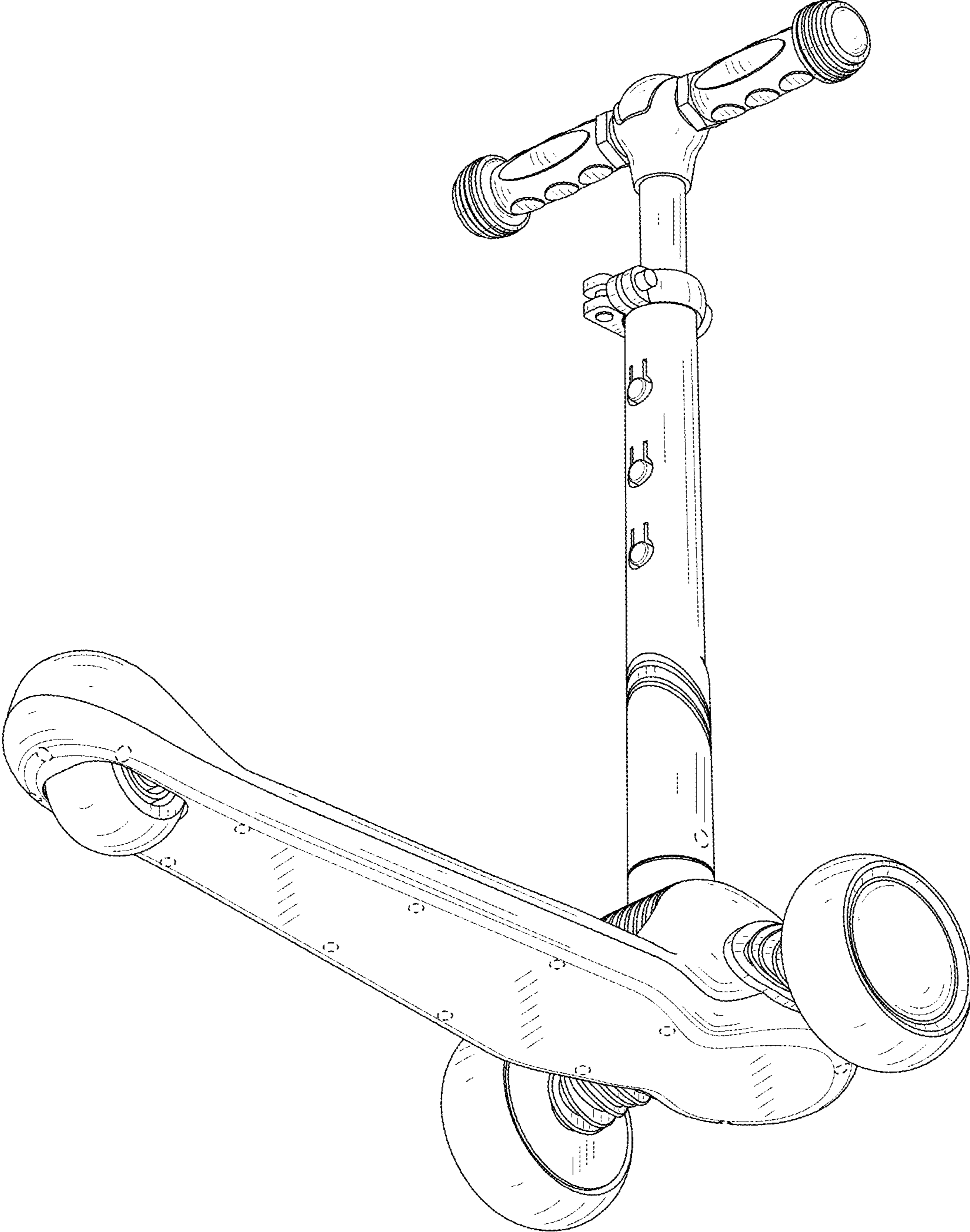


FIG. 2

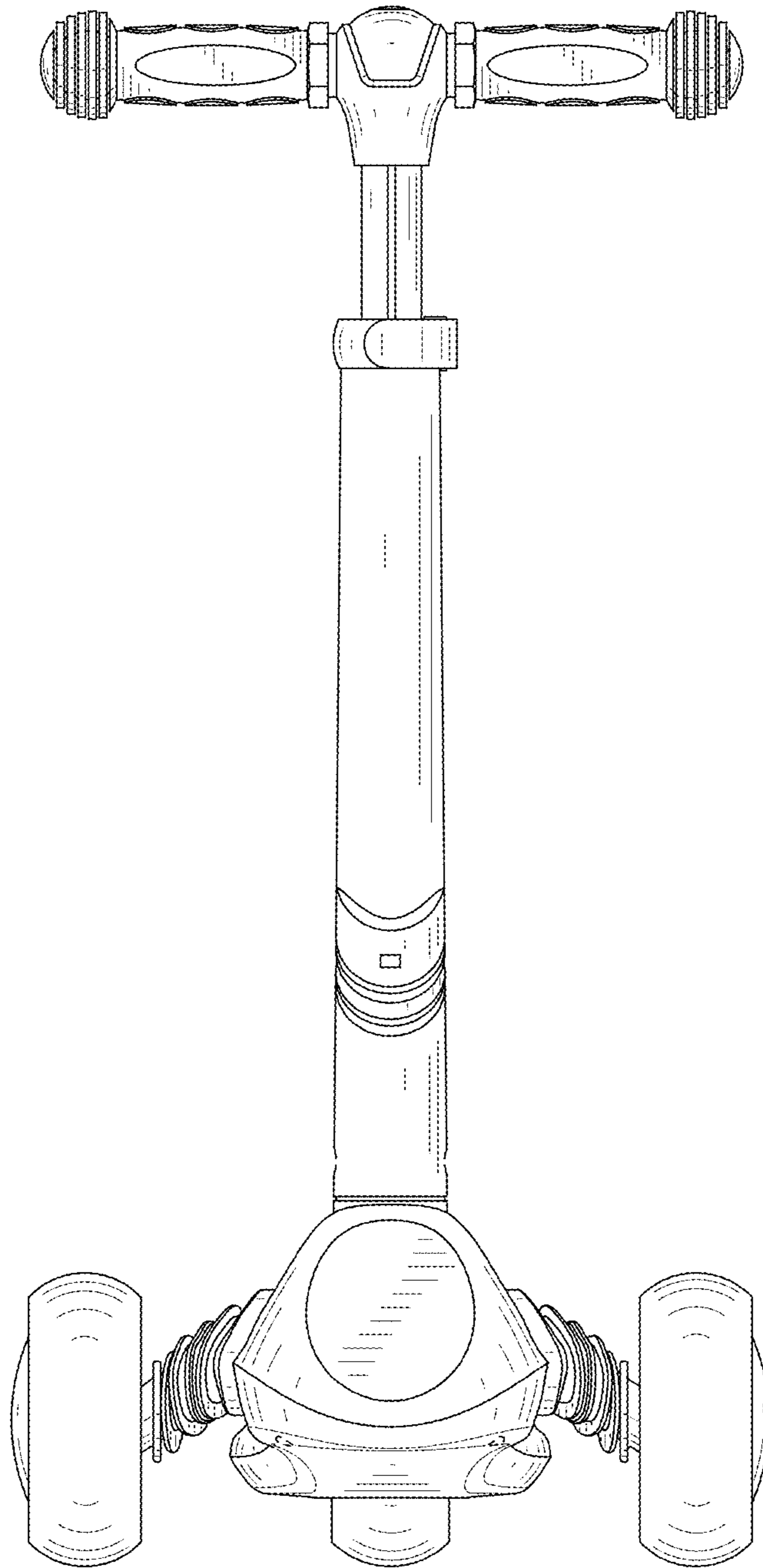


FIG. 3

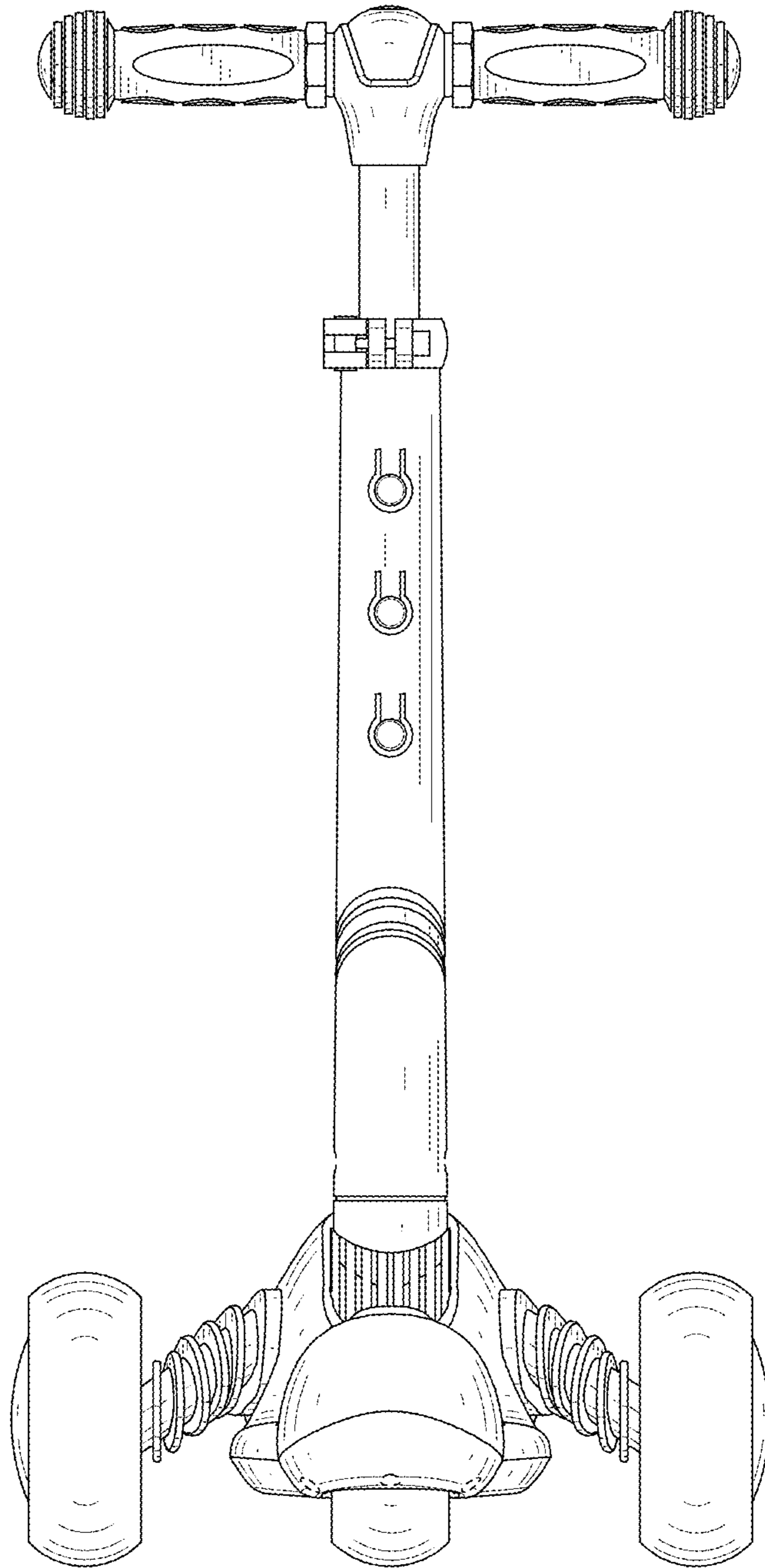


FIG. 4

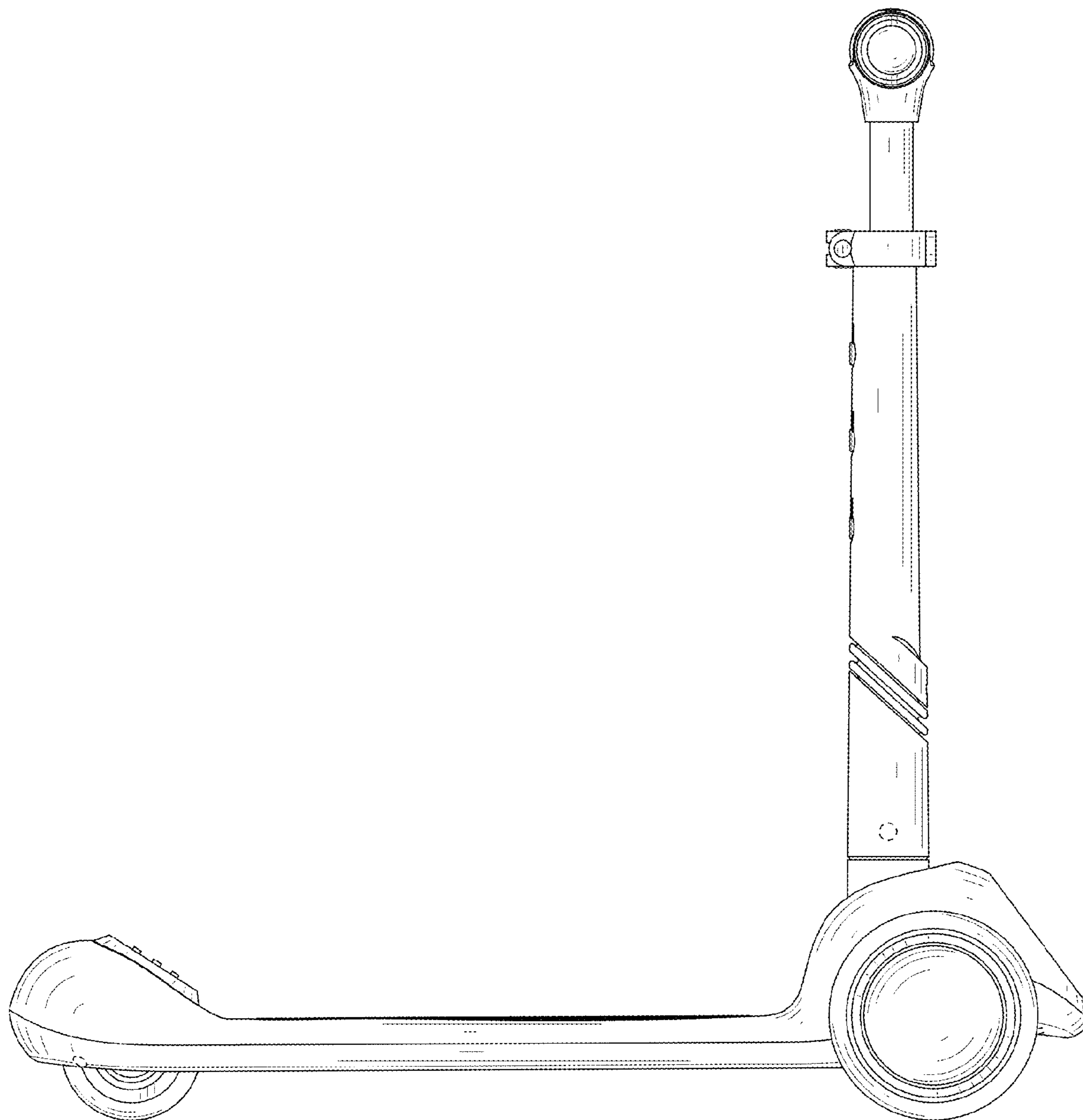


FIG. 5

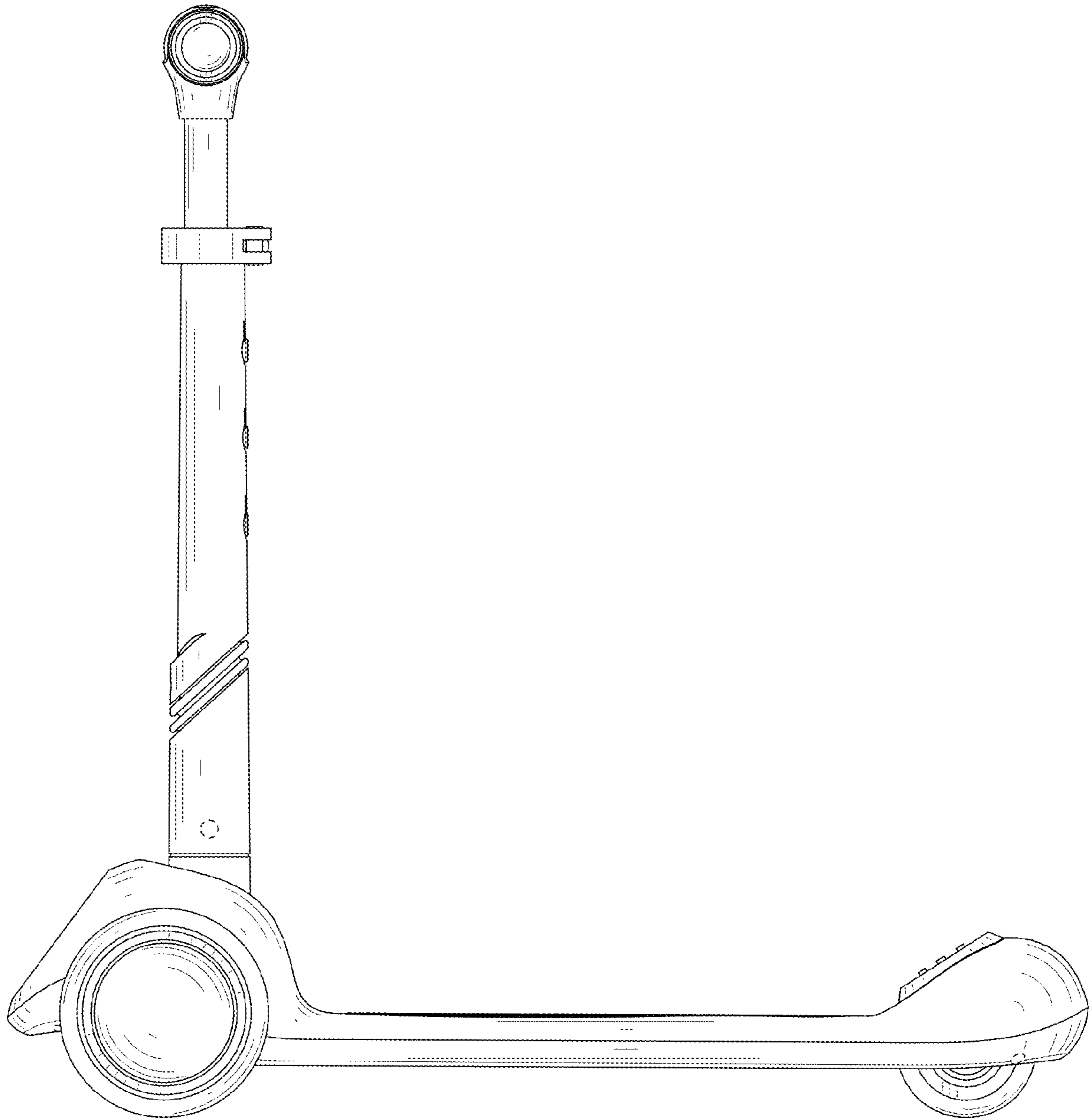


FIG. 6

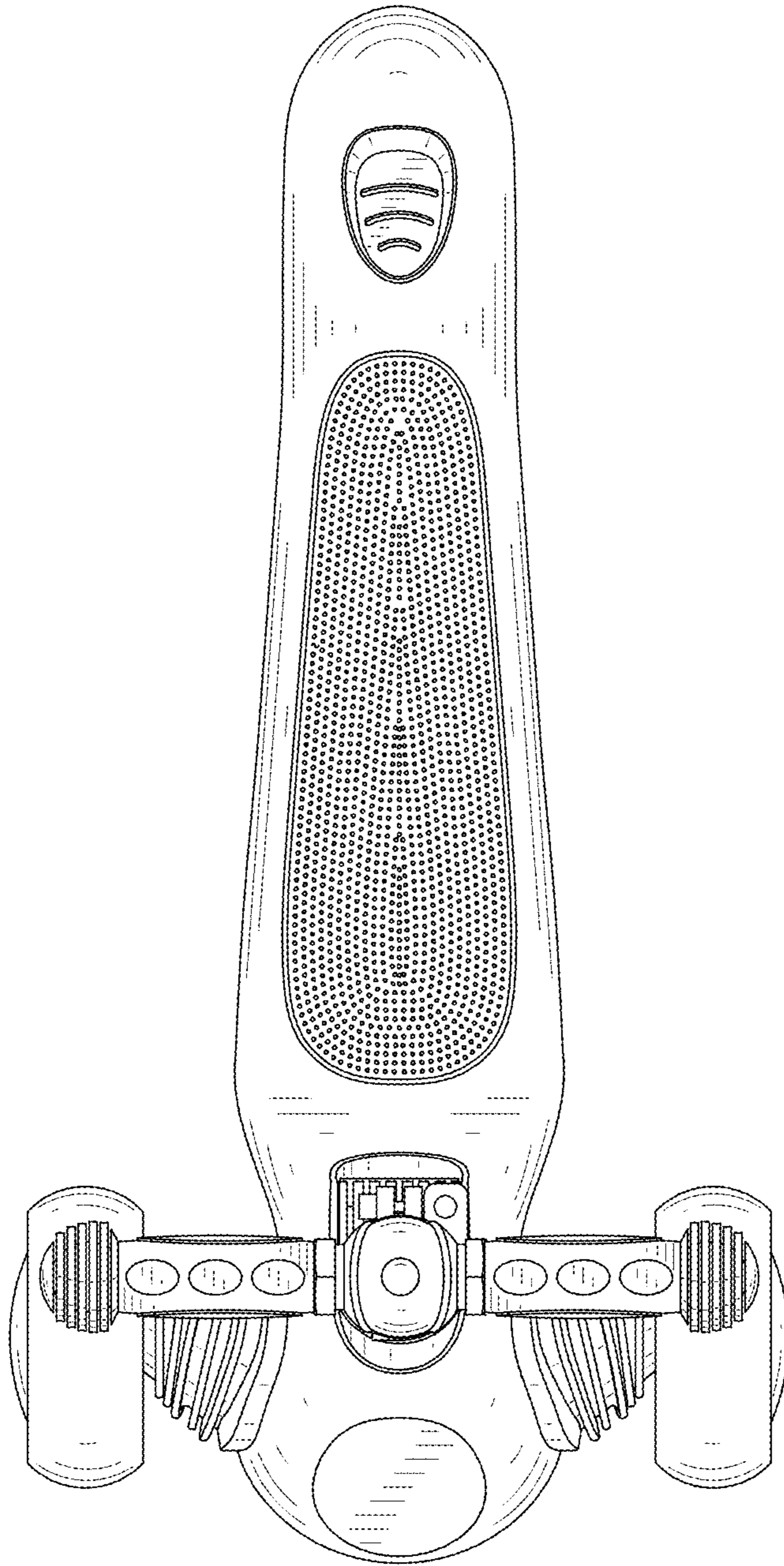


FIG. 7

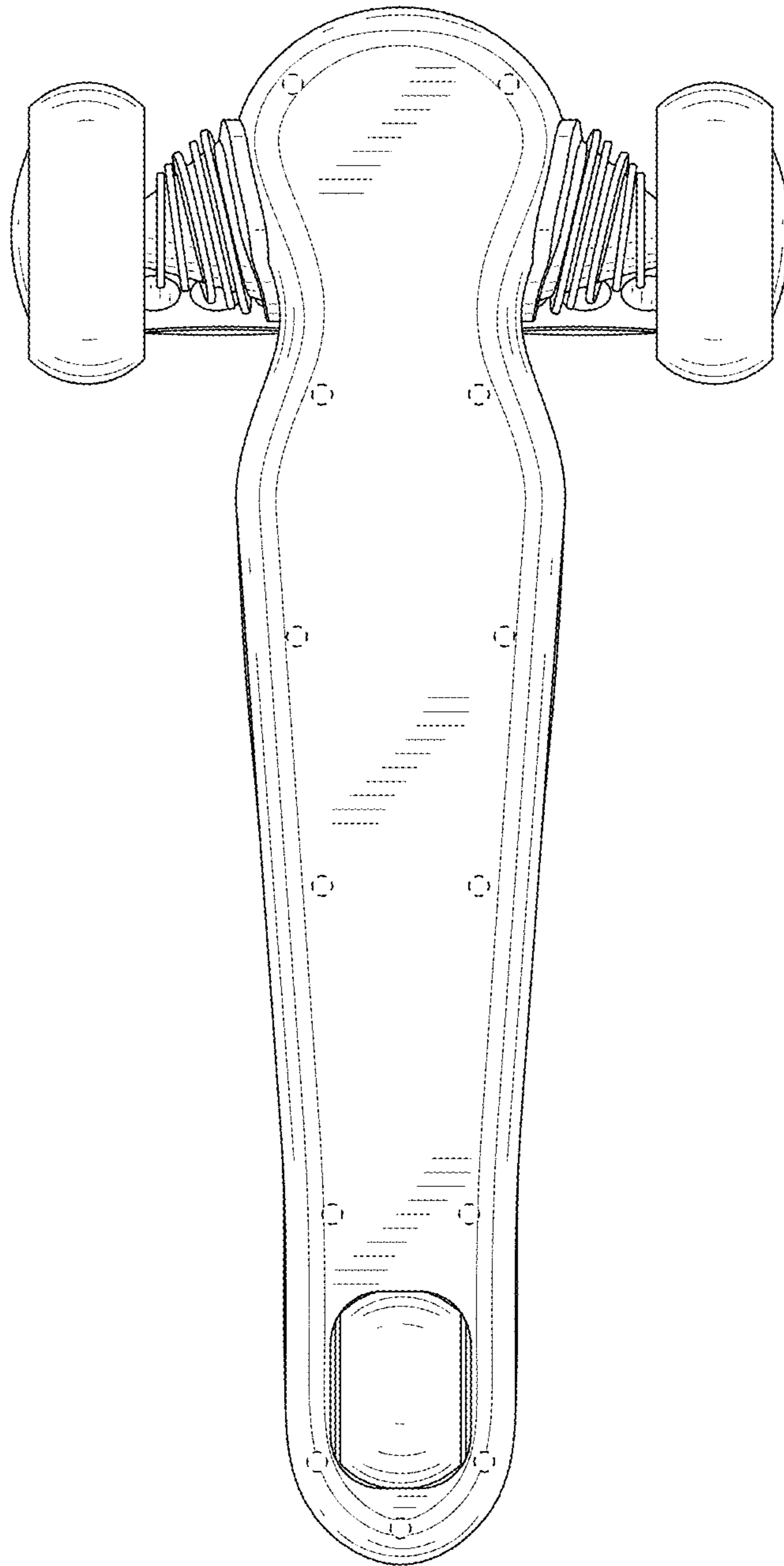


FIG. 8

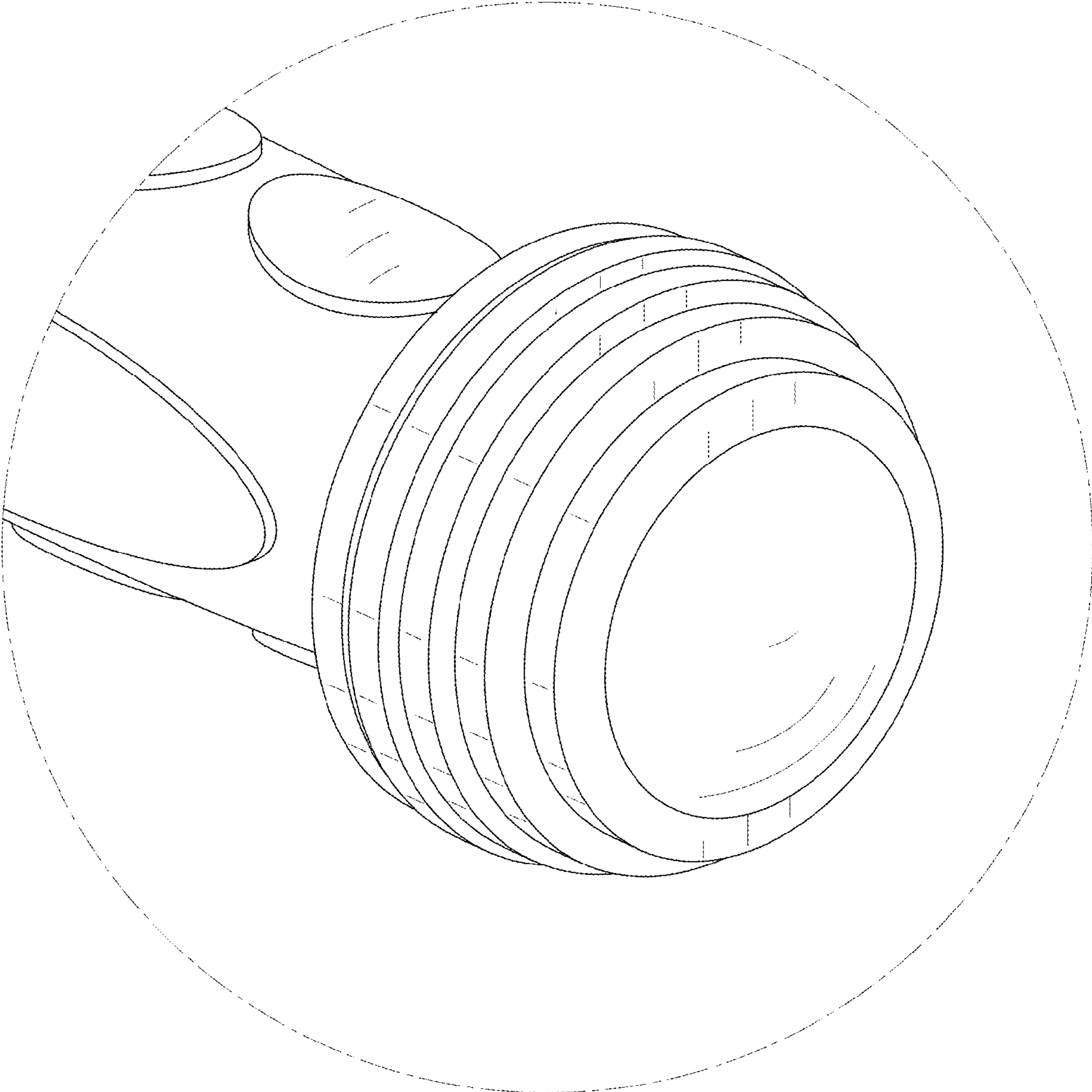


FIG. 9

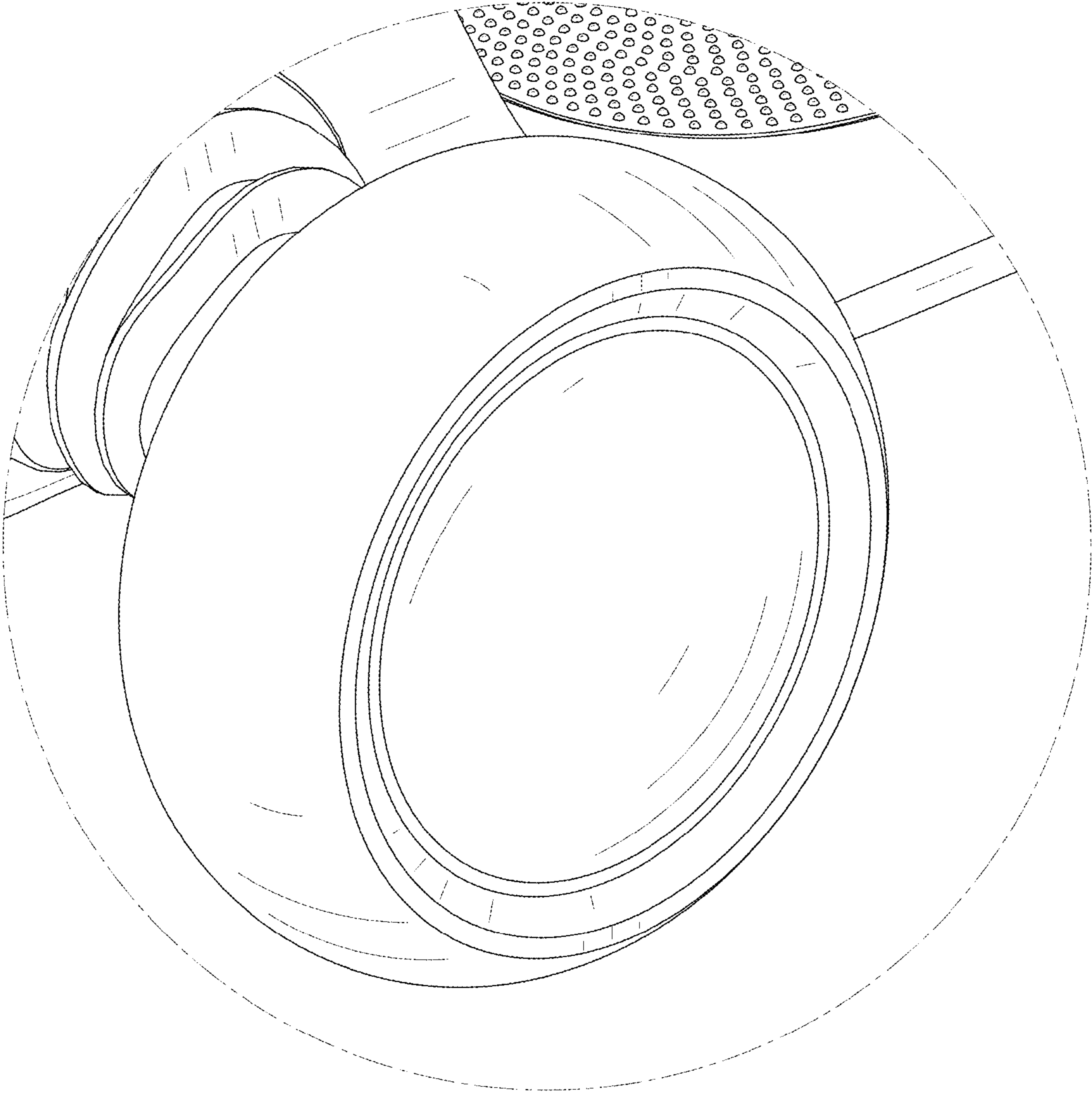


FIG. 10

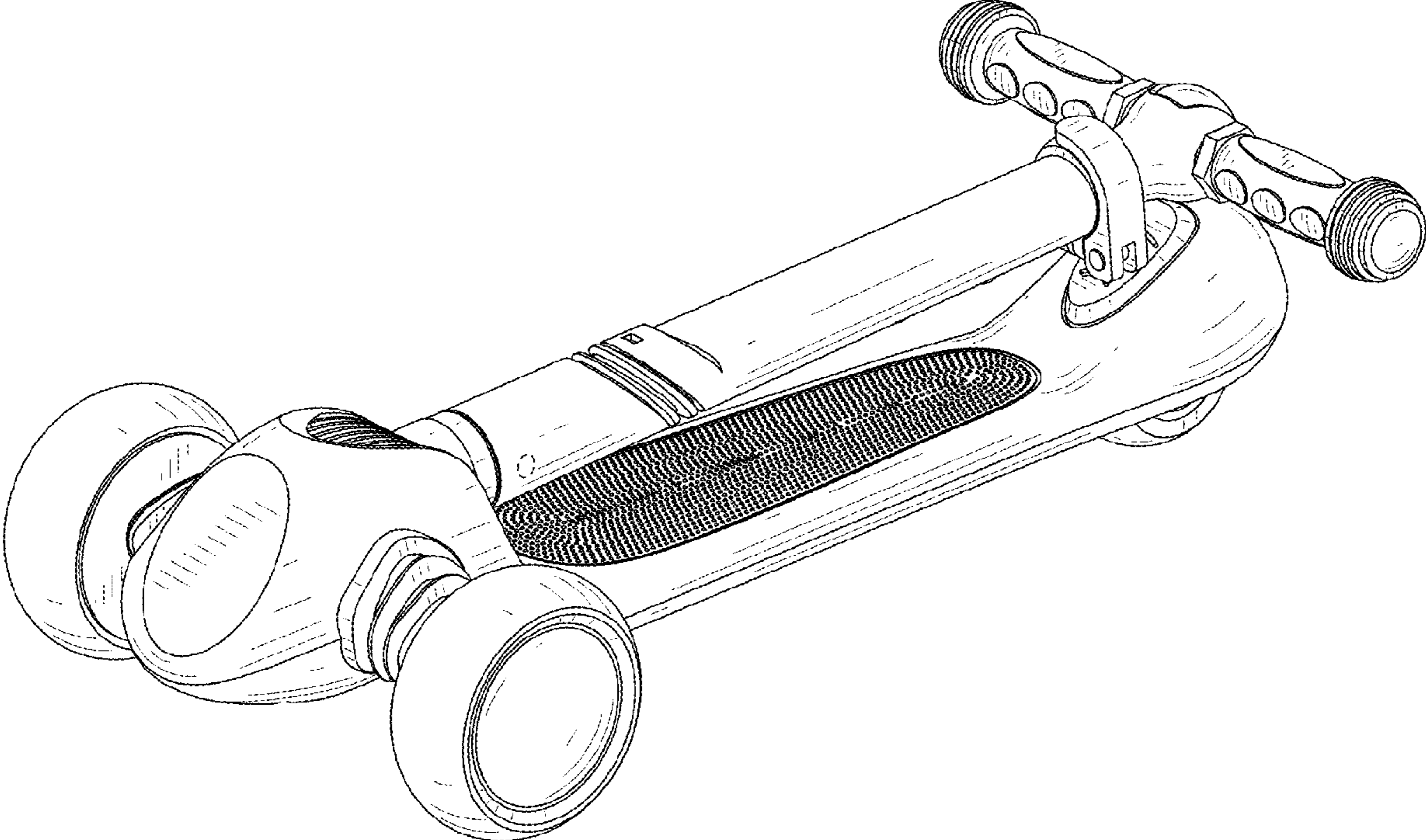


FIG. 11