



US00D974484S

(12) **United States Design Patent**
Ying

(10) **Patent No.:** **US D974,484 S**

(45) **Date of Patent:** **** Jan. 3, 2023**

(54) **ELECTRIC SCOOTER**

(71) Applicants: **Hao Jin**, Zhejiang (CN); **Zhaogui Li**, Zhejiang (CN)

(72) Inventor: **Gang Ying**, Zhejiang (CN)

(73) Assignees: **Hao Jin**, Yongkang Zhejiang (CN); **Zhaogui Li**, Yongkang Zhejiang (CN)

(**) Term: **15 Years**

(21) Appl. No.: **29/726,451**

(22) Filed: **Mar. 3, 2020**

(30) **Foreign Application Priority Data**

Sep. 3, 2019 (CN) 201930483342.7

(51) **LOC (14) Cl.** **21-01**

(52) **U.S. Cl.**
USPC **D21/423**

(58) **Field of Classification Search**
USPC D21/419, 421, 423, 432, 435, 760, 763,
D21/771; D12/1, 110

CPC B62K 3/002; B62K 9/00; B62K 2202/00;
B62K 15/00; B62K 2015/001; B62K
2015/003; B60Y 2200/126

See application file for complete search history.

(56) **References Cited**

U.S. PATENT DOCUMENTS

D654,963 S * 2/2012 Powers D21/423
D877,258 S * 3/2020 Cao D21/423

D889,557 S * 7/2020 Cao D21/423
D911,454 S * 2/2021 Yang D21/423
D914,103 S * 3/2021 Cao D21/423
D918,306 S * 5/2021 Horne D21/423
D923,104 S * 6/2021 Zheng D21/423
2019/0300093 A1* 10/2019 Degn B62K 3/002
2021/0053648 A1* 2/2021 Cordero B62K 11/10

* cited by examiner

Primary Examiner — Cynthia M. Chin

(74) *Attorney, Agent, or Firm* — Muncy, Geissler, Olds & Lowe, P.C.

(57) **CLAIM**

The ornamental design for an electric scooter, as shown and described.

DESCRIPTION

FIG. 1 is a perspective view of an electric scooter showing my new design;

FIG. 2 is a front elevational view thereof;

FIG. 3 is a rear elevational view thereof;

FIG. 4 is a left side view thereof;

FIG. 5 is a right side view thereof;

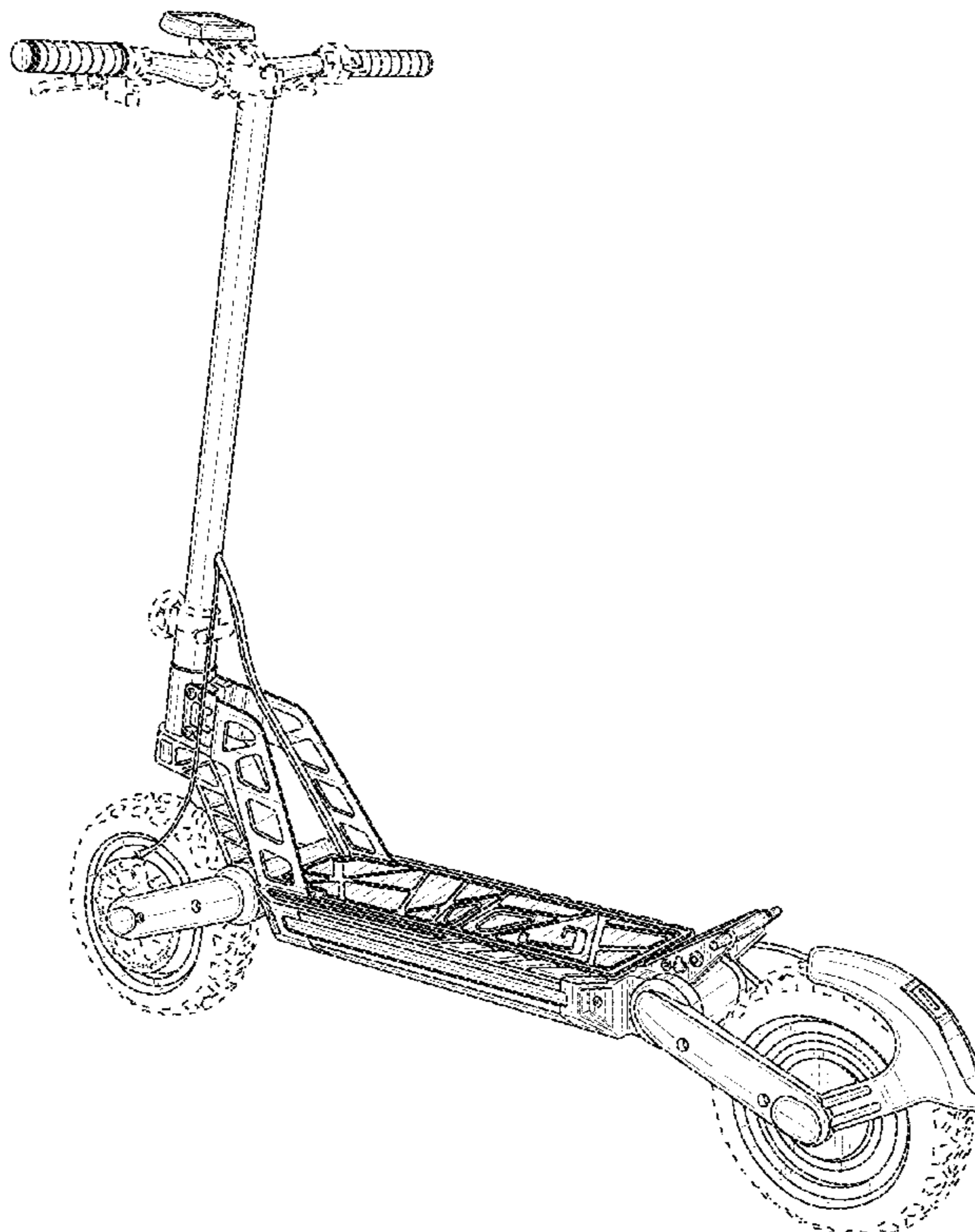
FIG. 6 is a top plan view thereof;

FIG. 7 is a bottom plan view thereof; and,

FIG. 8 is another perspective view thereof.

The portions of the electric scooter depicted in broken lines form no part of the design.

1 Claim, 8 Drawing Sheets



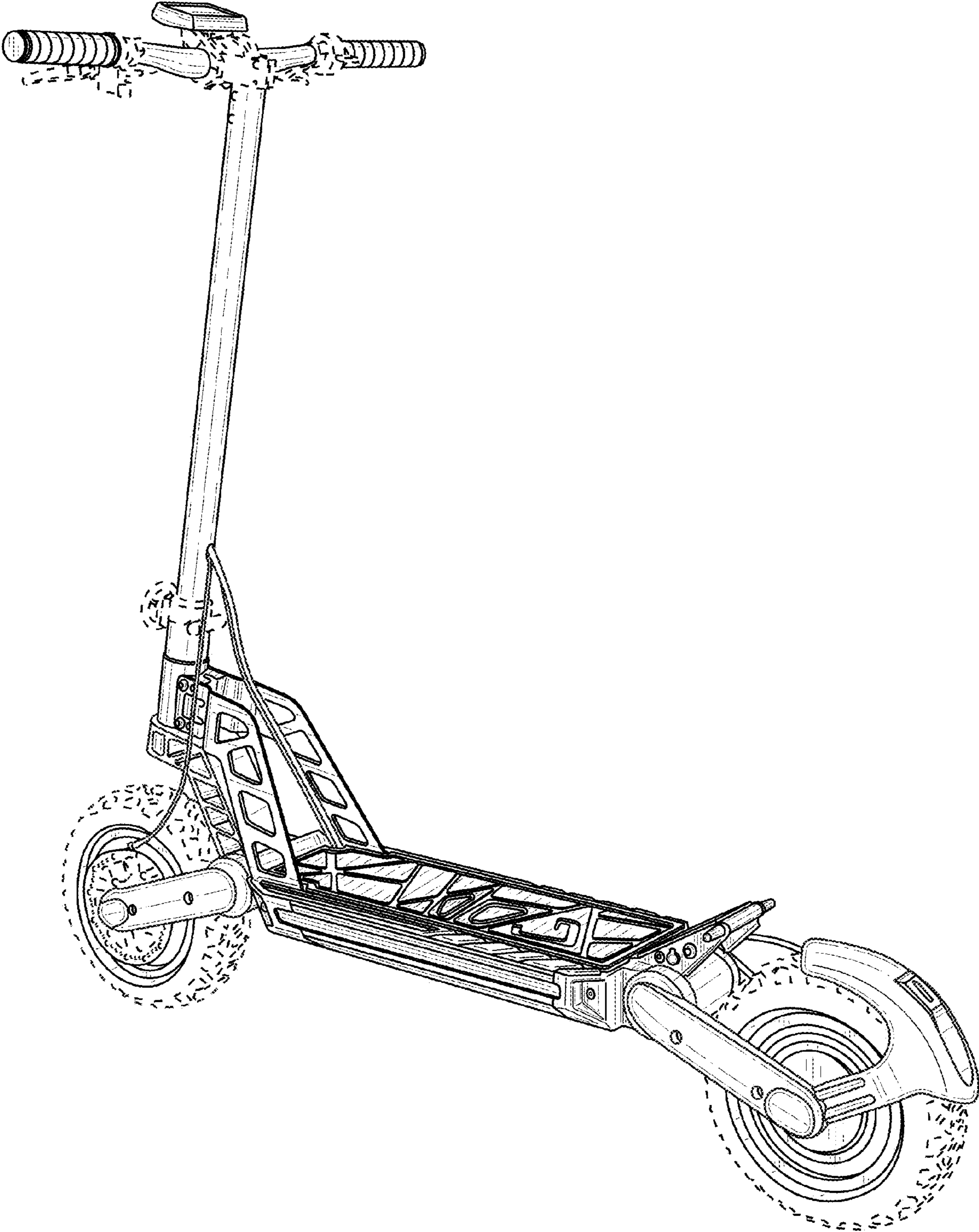


FIG. 1

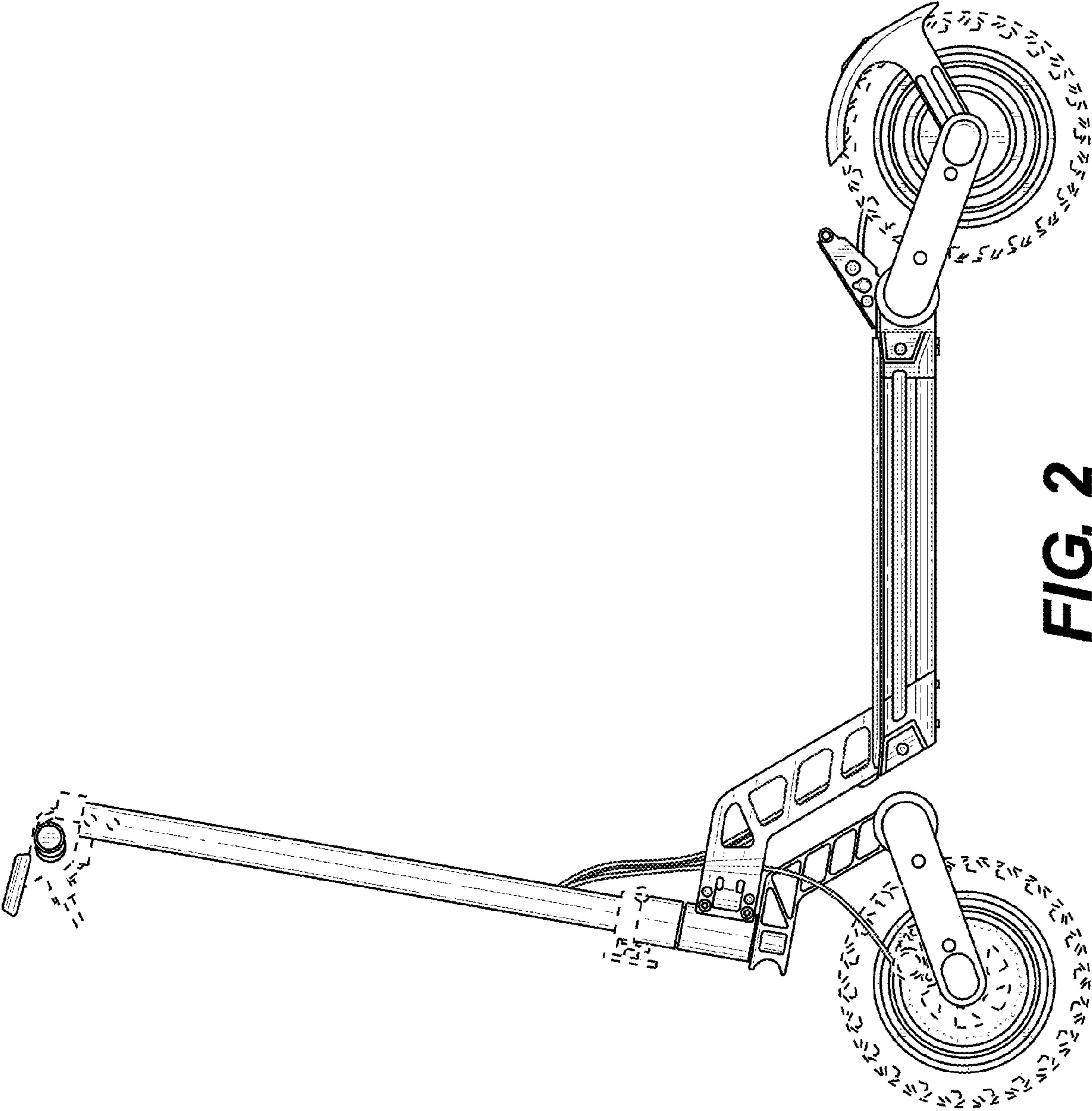


FIG. 2

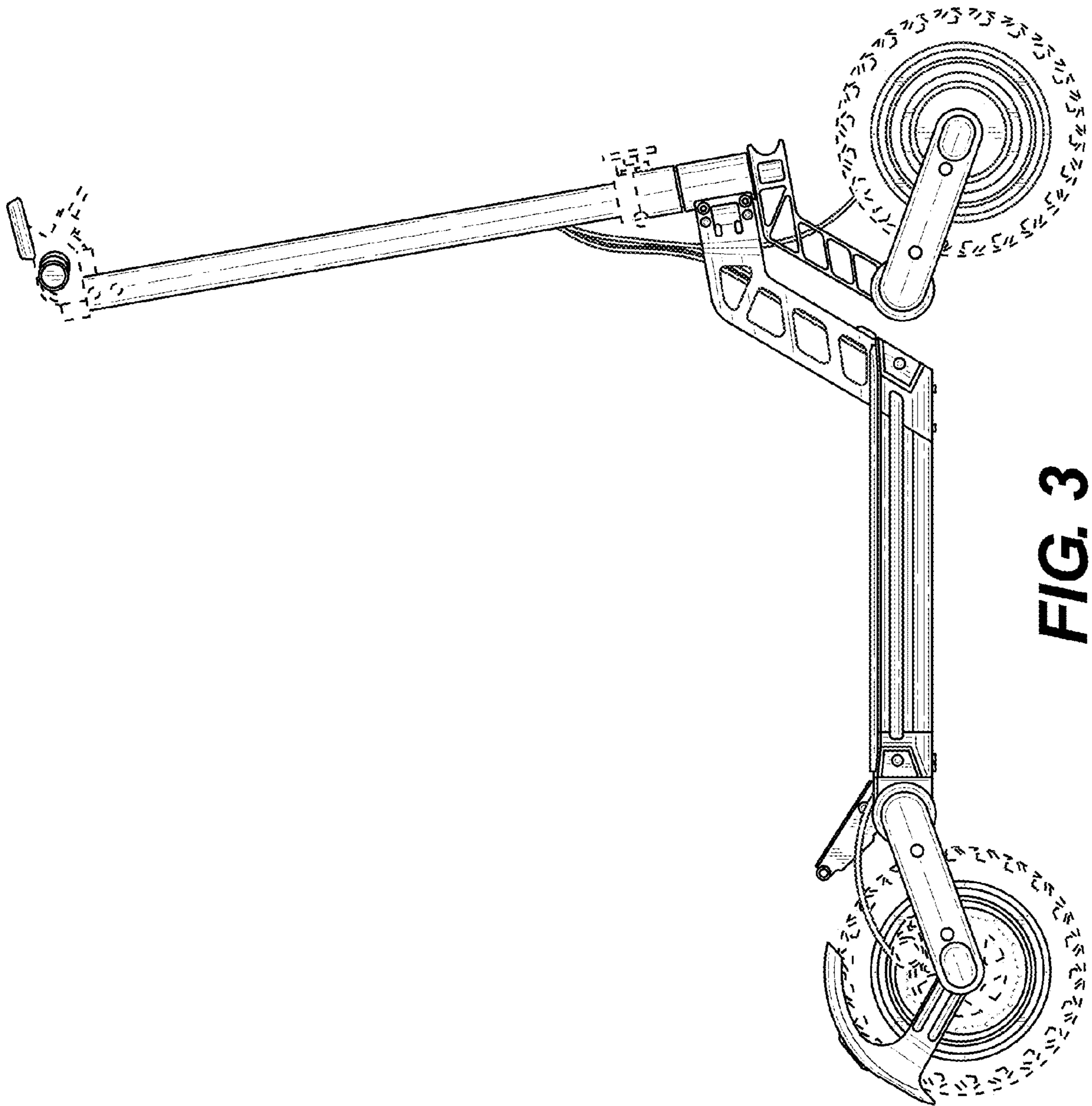


FIG. 3

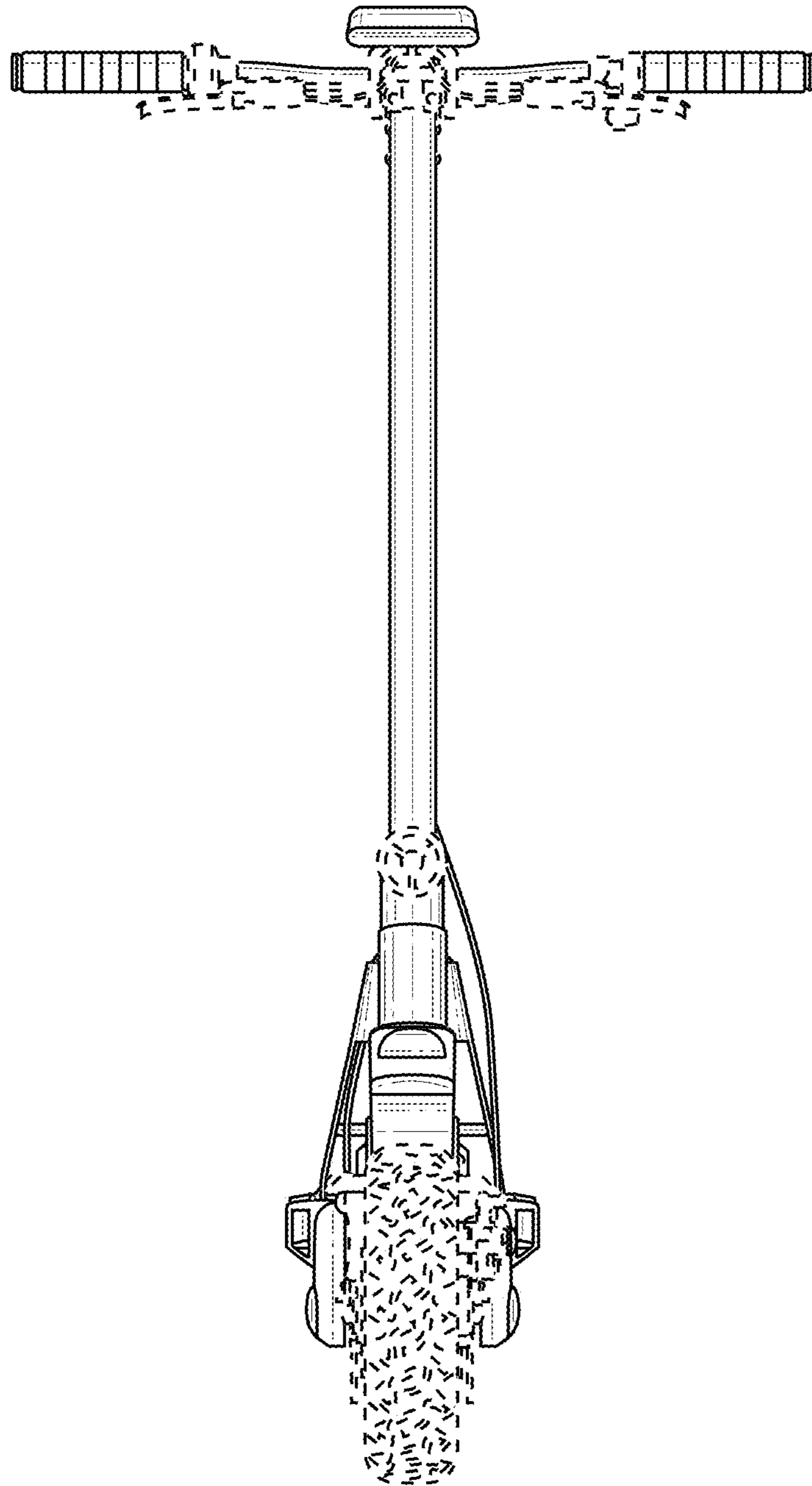


FIG. 4

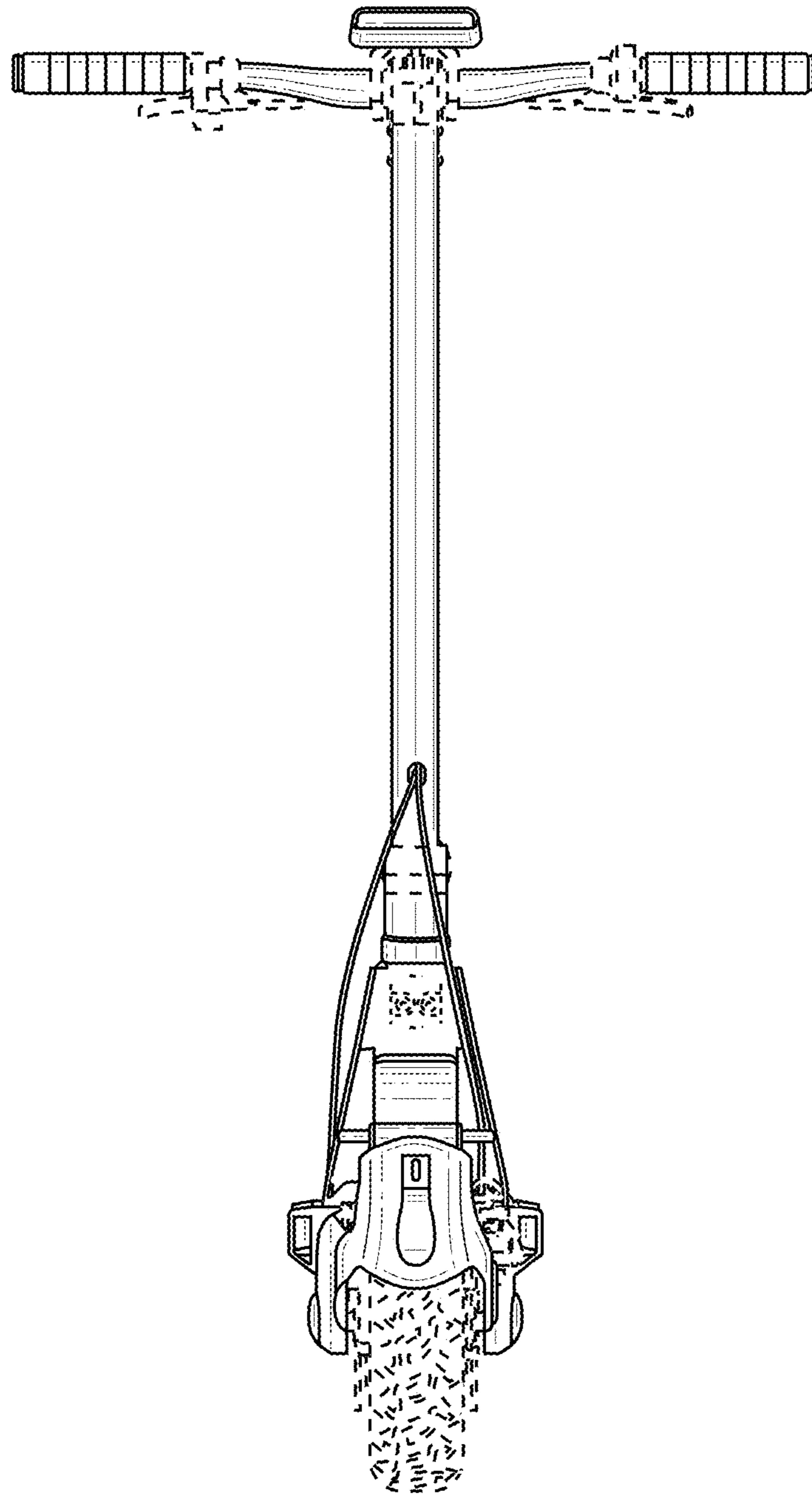


FIG. 5

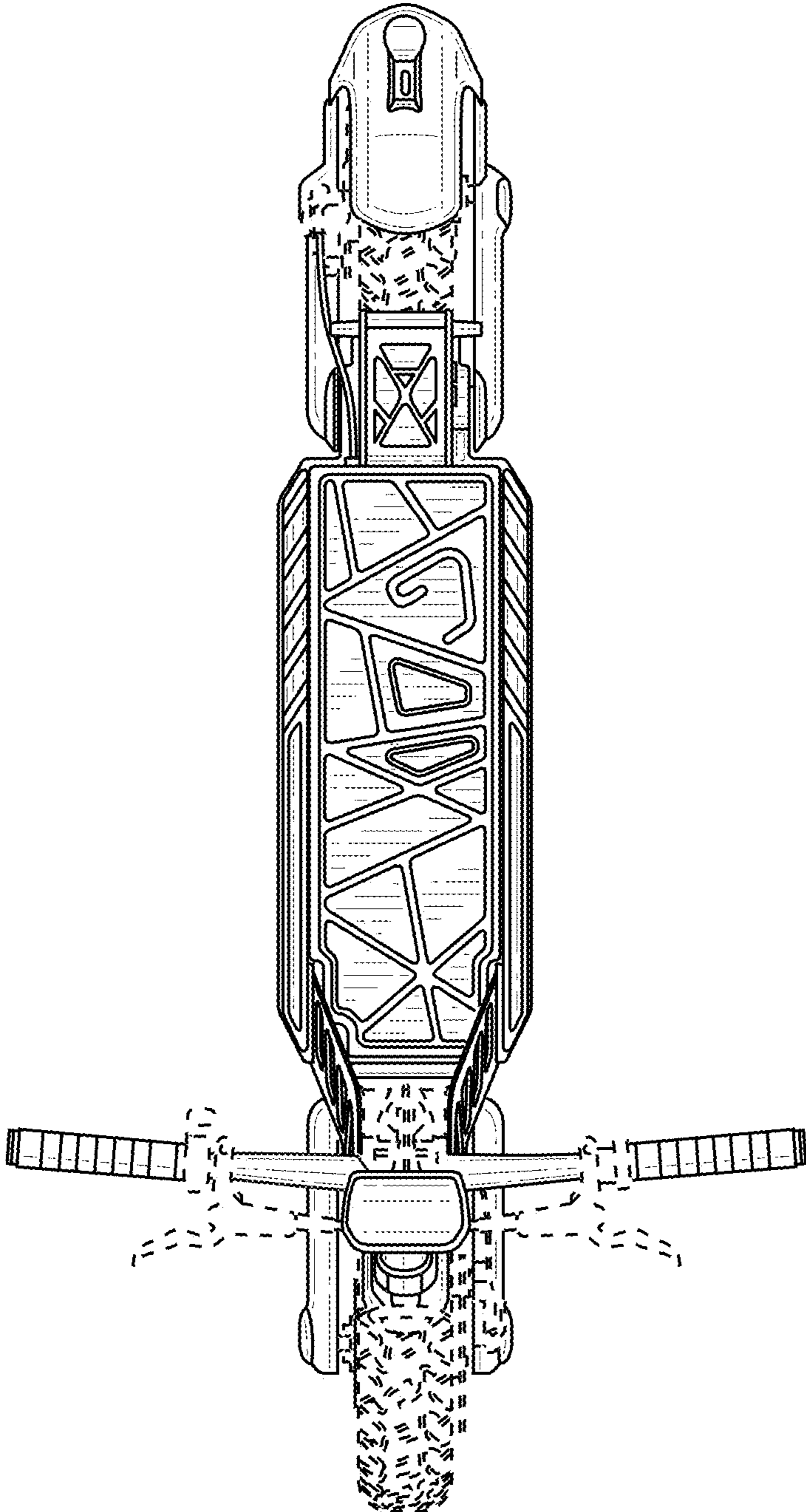


FIG. 6

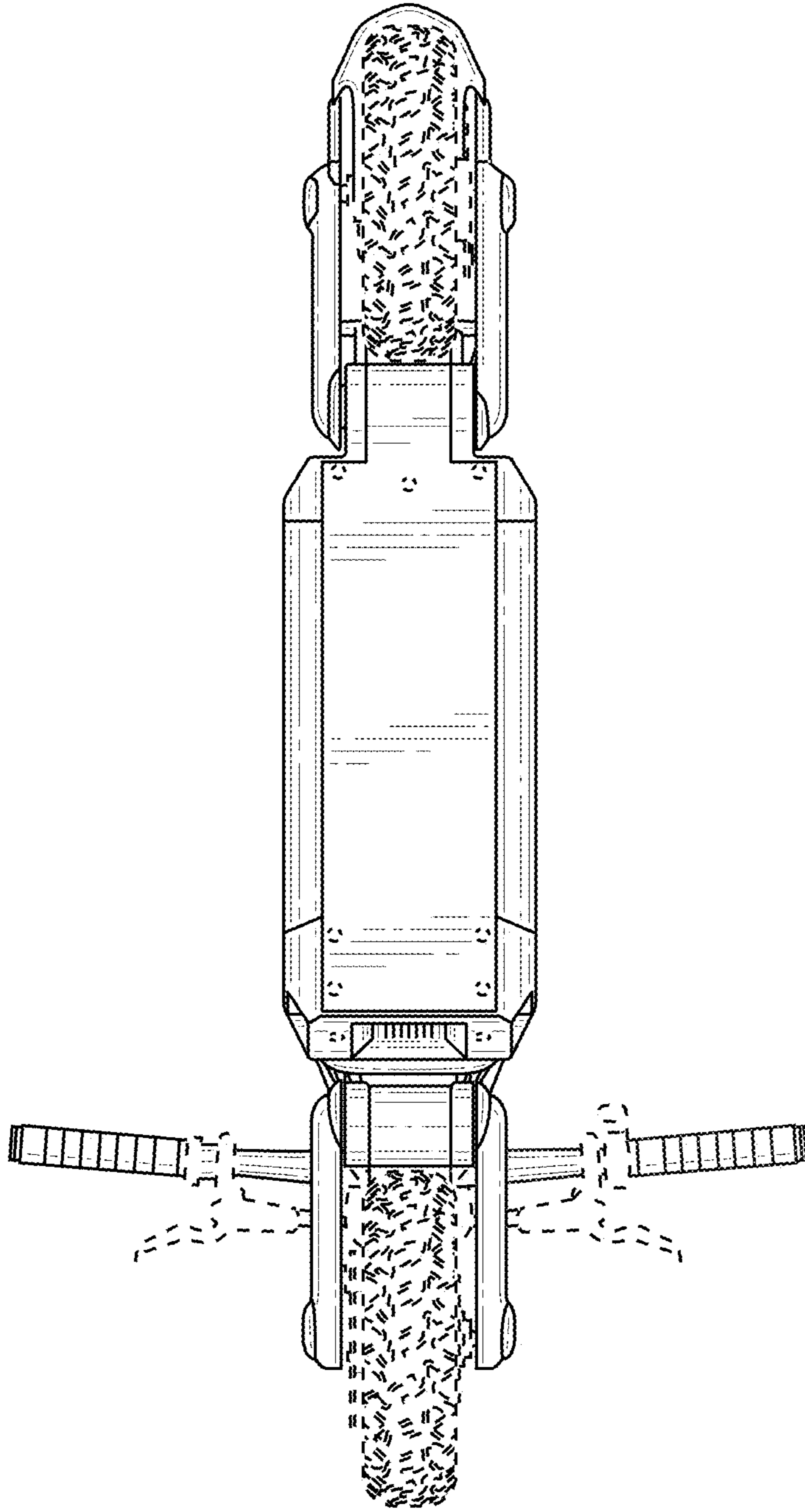


FIG. 7

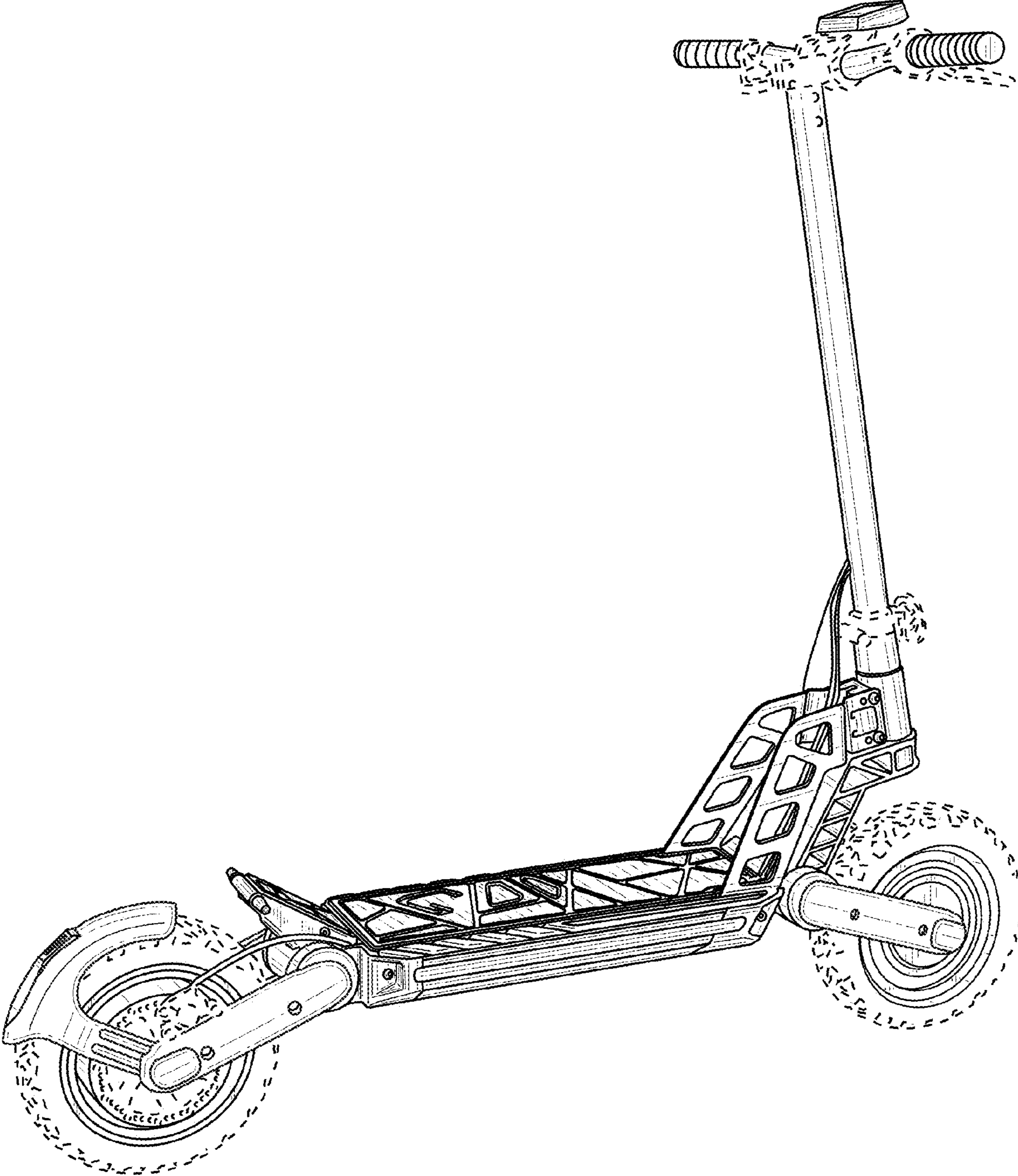


FIG. 8