



US00D974482S

(12) **United States Design Patent**
Lloyd

(10) **Patent No.:** **US D974,482 S**

(45) **Date of Patent:** **** Jan. 3, 2023**

- (54) **MAGNETIC LEVITATION DIE WITH BASE**
- (71) Applicant: **Nor Height LTD**, Great Yarmouth (GB)
- (72) Inventor: **Landan Hale Jachin Lloyd**, Great Yarmouth (GB)
- (**) Term: **15 Years**
- (21) Appl. No.: **29/823,792**
- (22) Filed: **Jan. 20, 2022**
- (51) **LOC (14) Cl.** **21-03**
- (52) **U.S. Cl.**
USPC **D21/373**
- (58) **Field of Classification Search**
USPC D21/372, 373; 273/292, 146, 272
CPC A63F 9/04; A63F 9/0415; A63F 9/0406;
A63F 2009/0446; A63F 2250/0457; A63F
9/0495
See application file for complete search history.

D634,370 S	3/2011	Gebhart	
D696,354 S	12/2013	Barry	
D748,737 S *	2/2016	Au-Yeung	D21/373
D799,100 S *	10/2017	Morris	D26/110
D836,022 S *	12/2018	Morris	D11/131
D862,776 S *	10/2019	Bie	D26/110
D885,252 S *	5/2020	Zhang	D11/157
D886,906 S	6/2020	Tchapandze et al.	
D943,801 S *	2/2022	Bie	D26/94
D950,524 S *	5/2022	Liu	D14/216
D960,762 S *	8/2022	Morris	D11/131
2005/0285338 A1 *	12/2005	Cusolito	A63F 3/0423 273/272
2019/0349658 A1 *	11/2019	Baek	H04R 9/06

* cited by examiner

Primary Examiner — Ryan Harvey

(74) *Attorney, Agent, or Firm* — Rumit R. Kanakia

(57) **CLAIM**

The ornamental design for a magnetic levitation die with base, as shown and described.

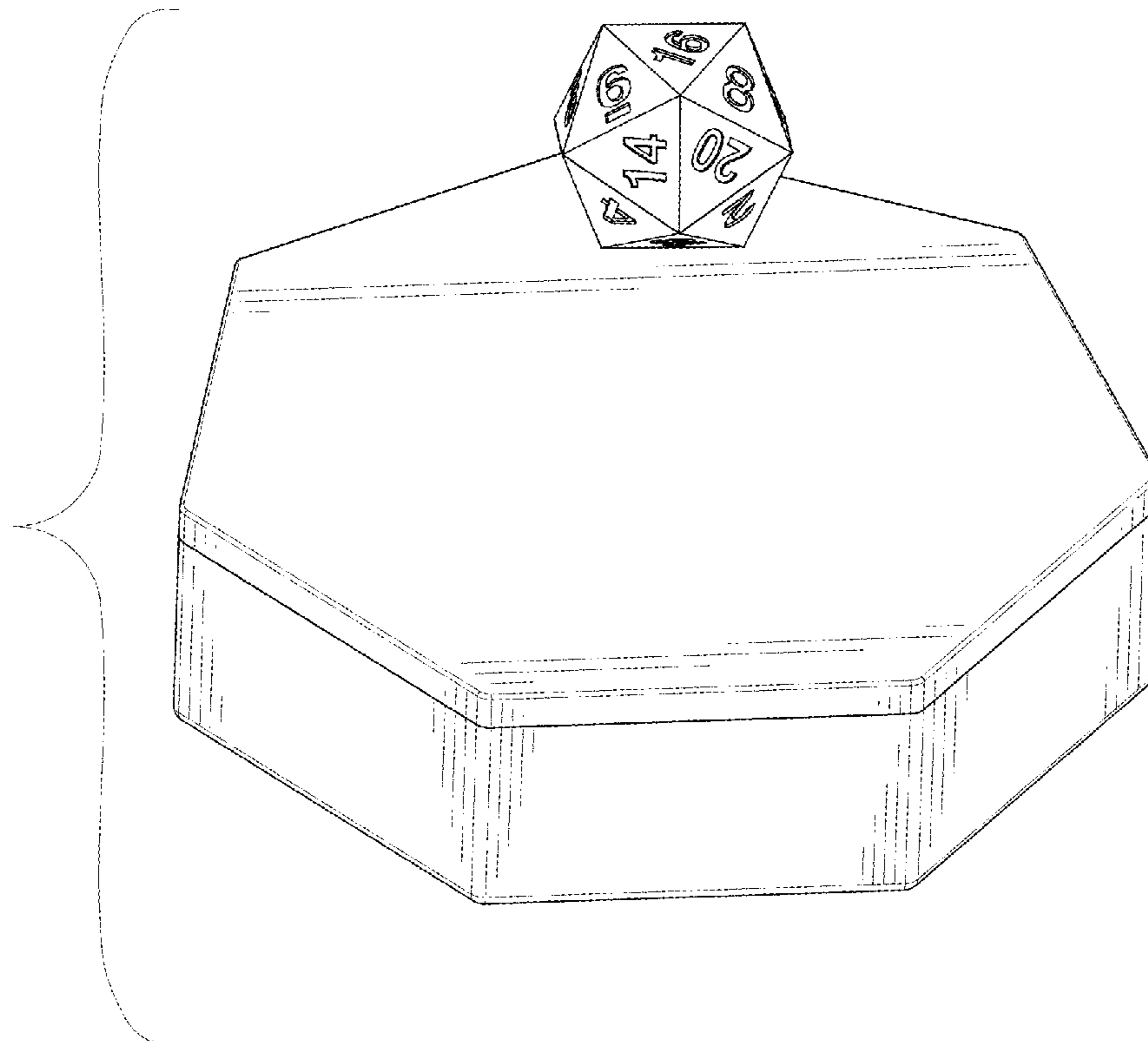
DESCRIPTION

FIG. 1 is a first perspective view of a magnetic levitation die with base showing my new design;
 FIG. 2 is a second perspective view thereof;
 FIG. 3 is a front view thereof;
 FIG. 4 is a back view thereof;
 FIG. 5 is a left side view thereof;
 FIG. 6 is a right side view thereof;
 FIG. 7 is a top view thereof; and,
 FIG. 8 is a bottom view thereof.

1 Claim, 8 Drawing Sheets

(56) **References Cited**
 U.S. PATENT DOCUMENTS

1,555,447 A *	9/1925	Bernstein	A63F 9/0415 D21/373
1,586,429 A *	5/1926	Kiesling	A63F 3/0423 273/272
D209,297 S *	11/1967	Hulser	D21/373
4,735,419 A *	4/1988	Koca	A63F 9/0098 273/146
5,909,874 A *	6/1999	Daniel	A63F 9/0415 D21/373



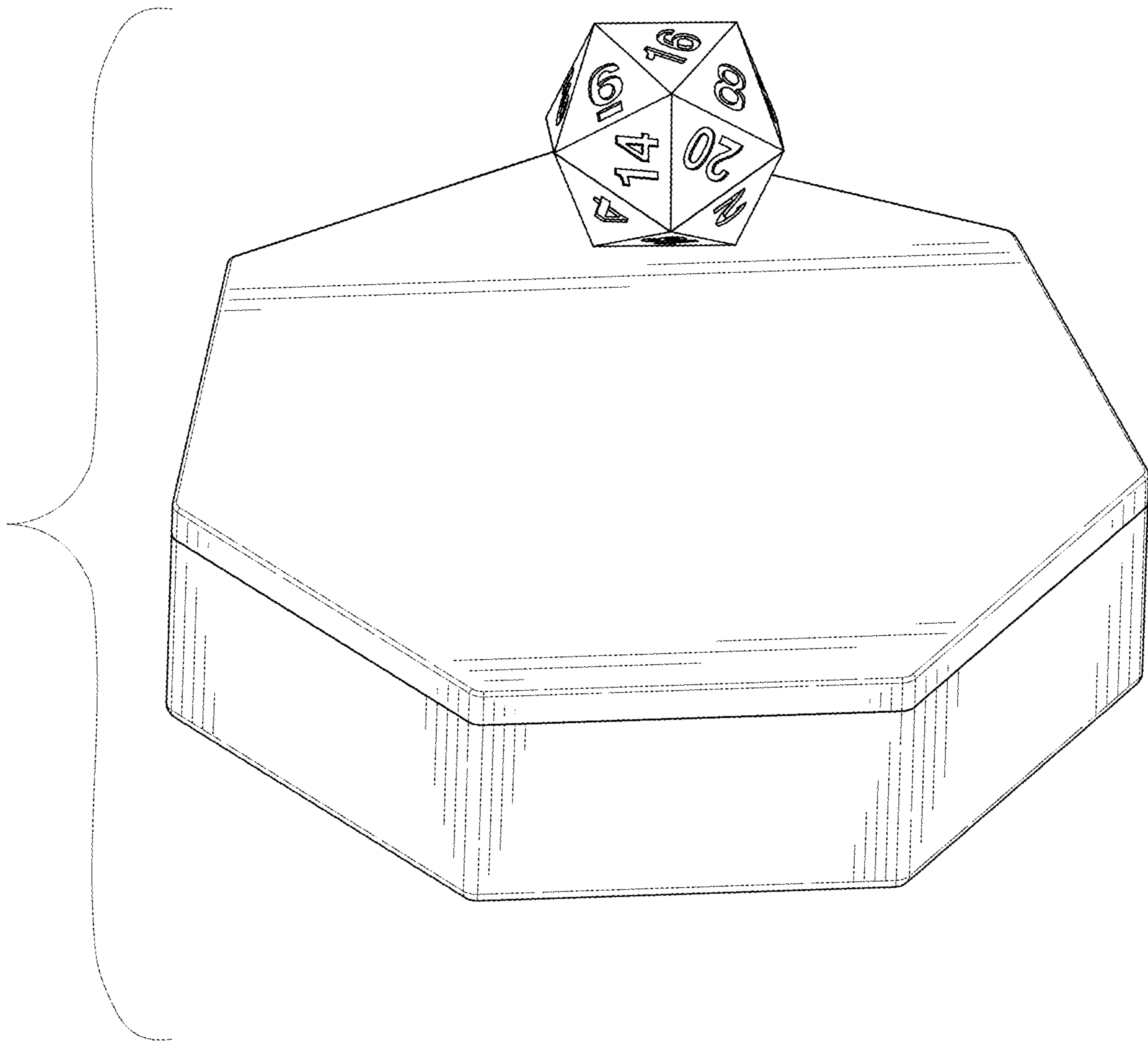


FIG. 1

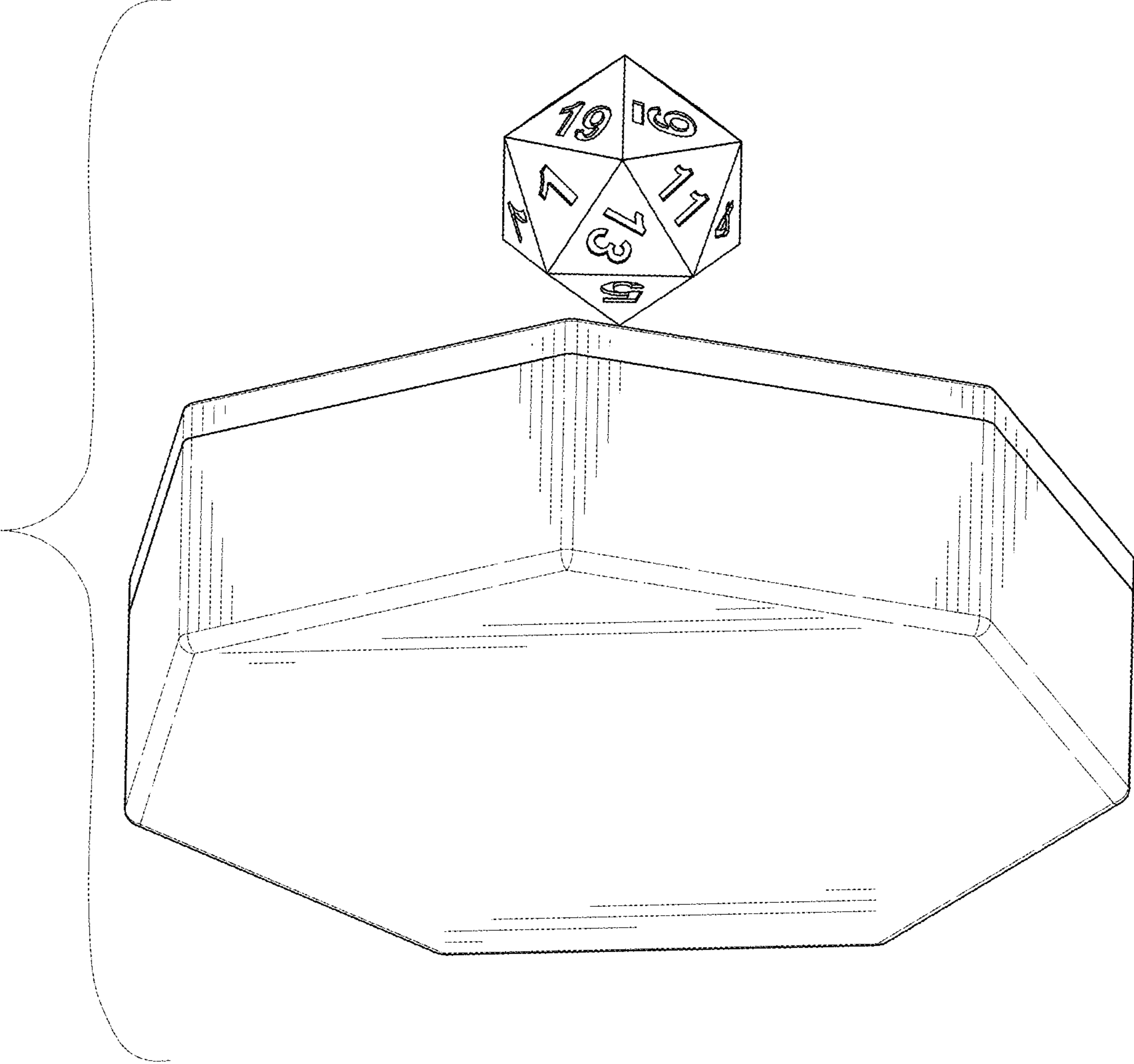


FIG. 2

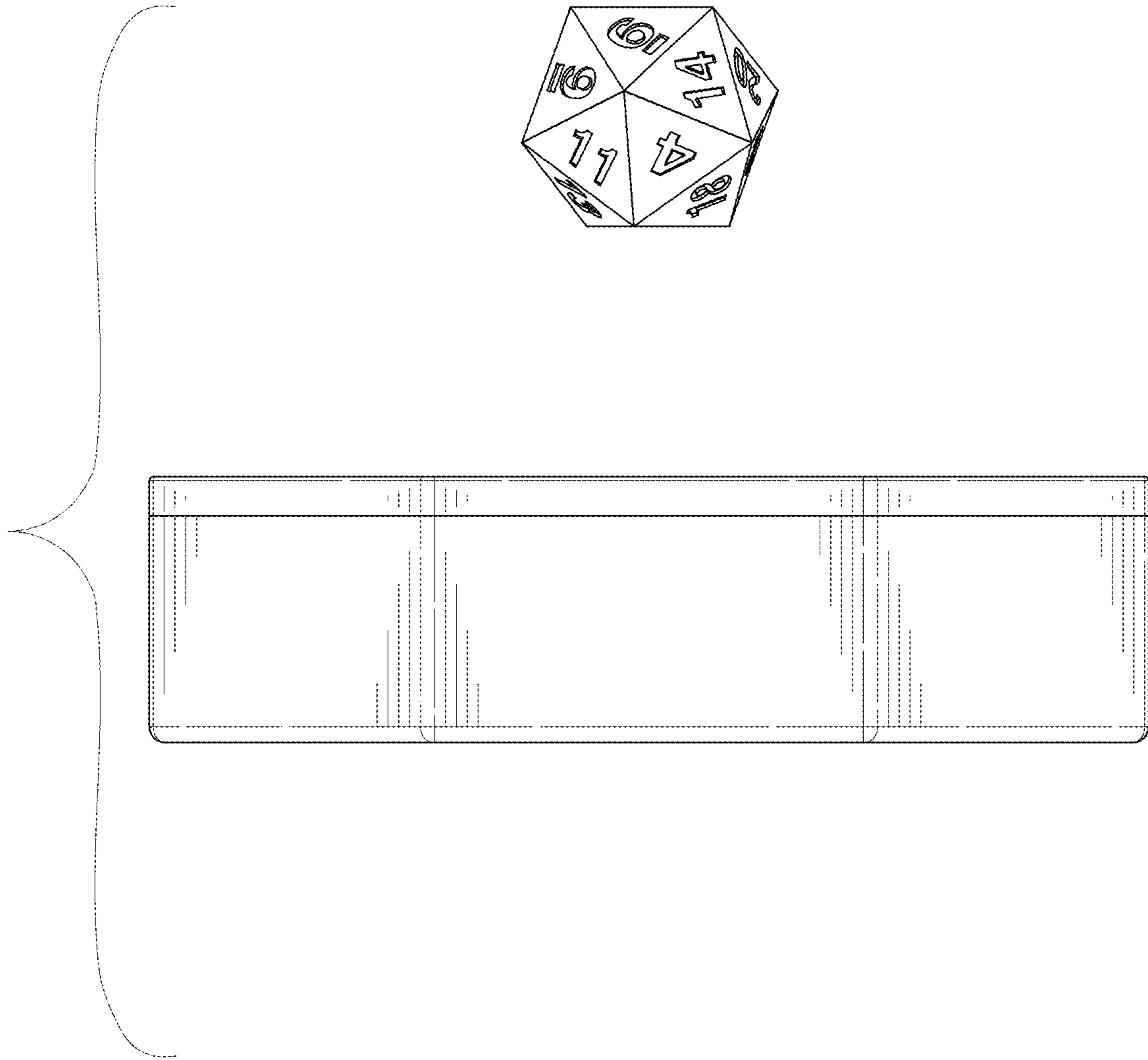


FIG. 3

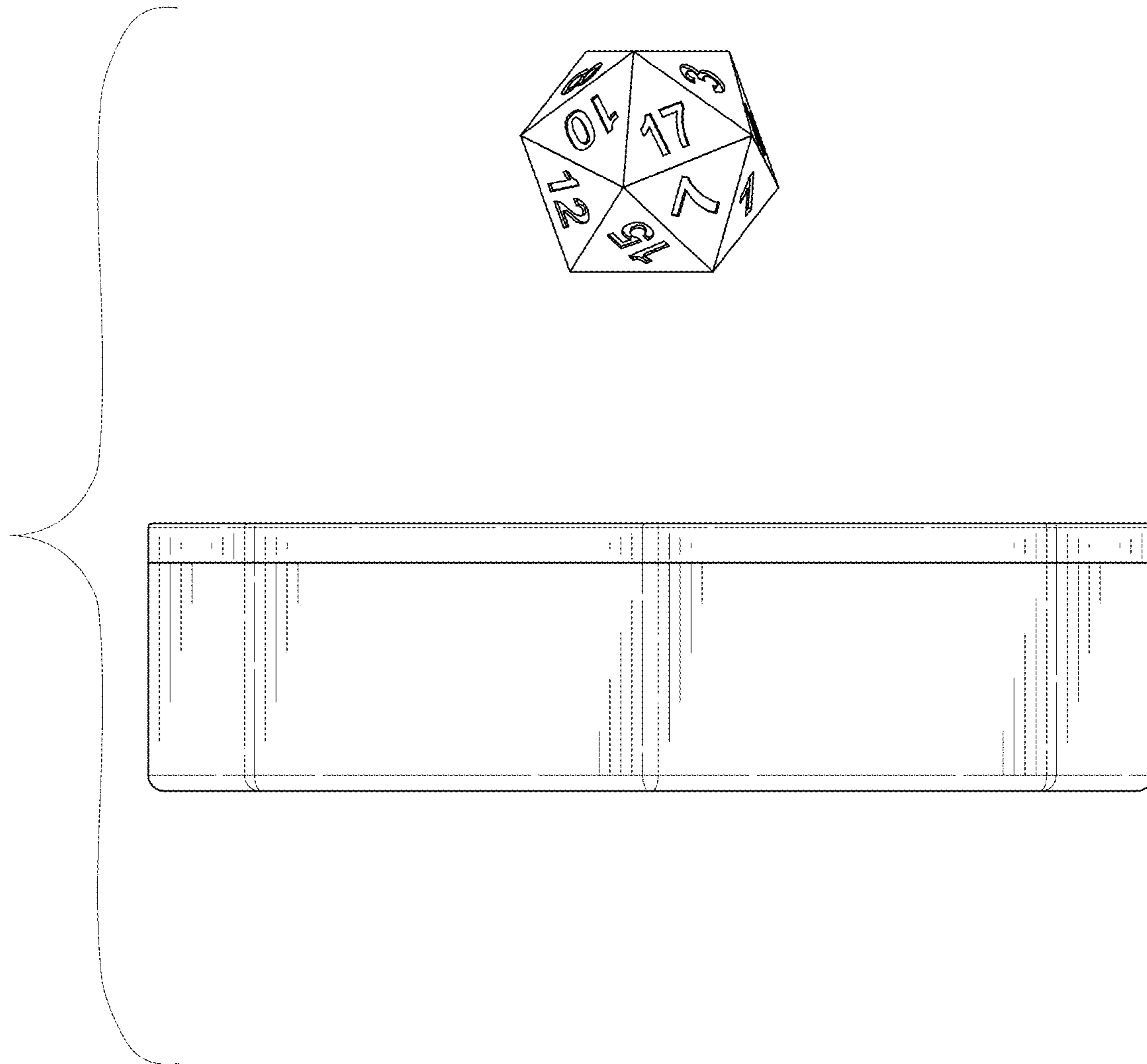


FIG. 4

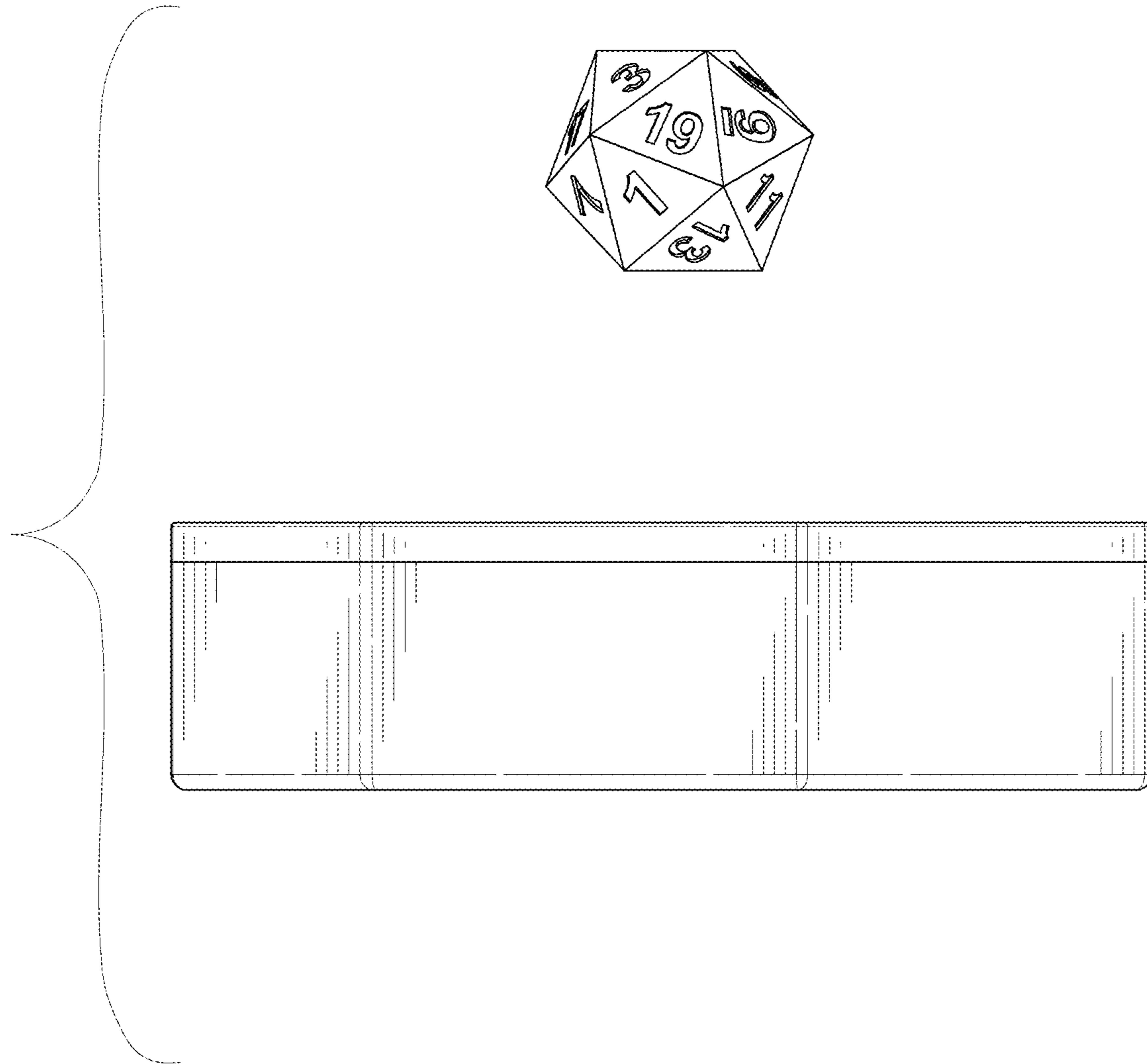


FIG. 5

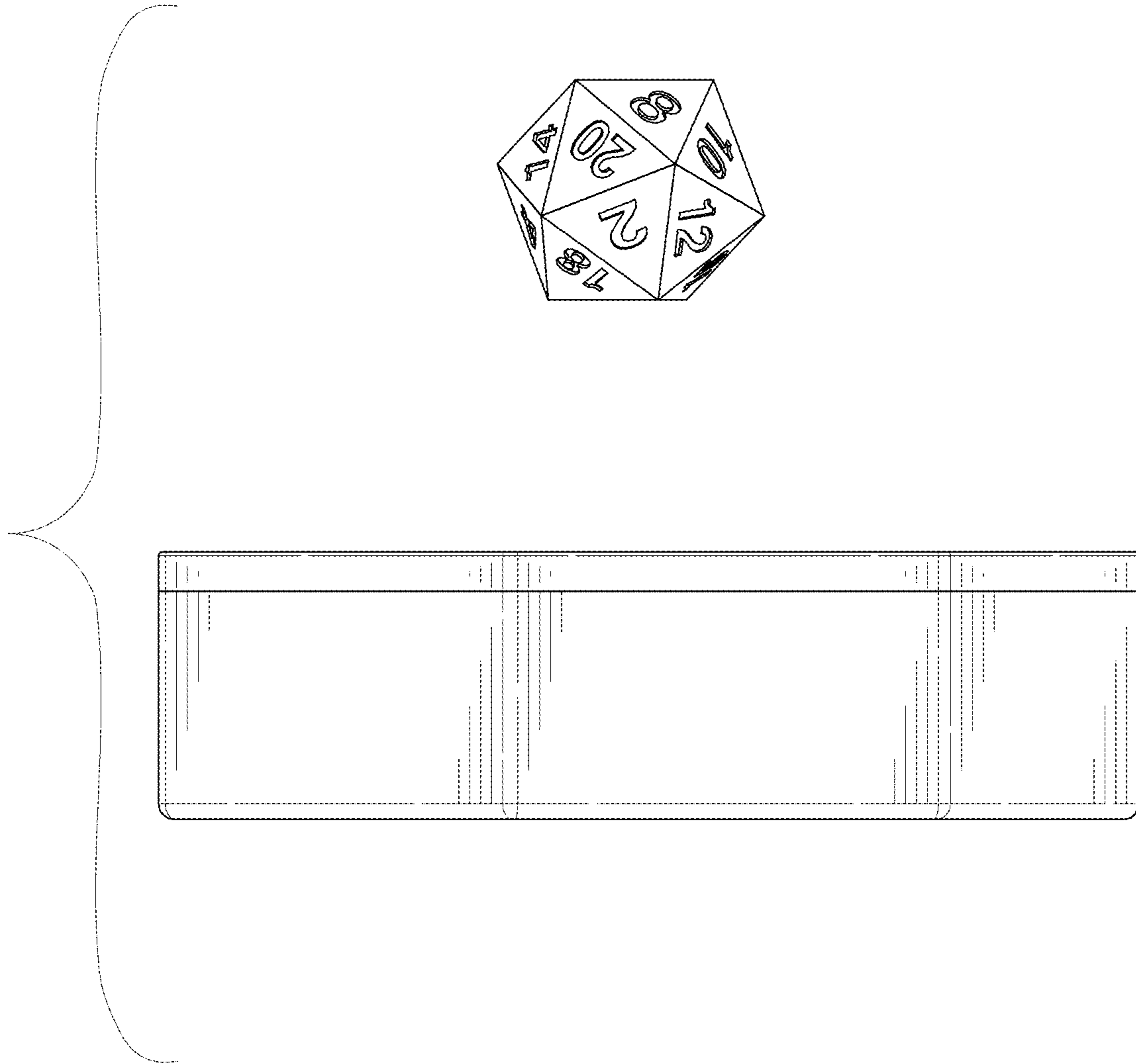


FIG. 6

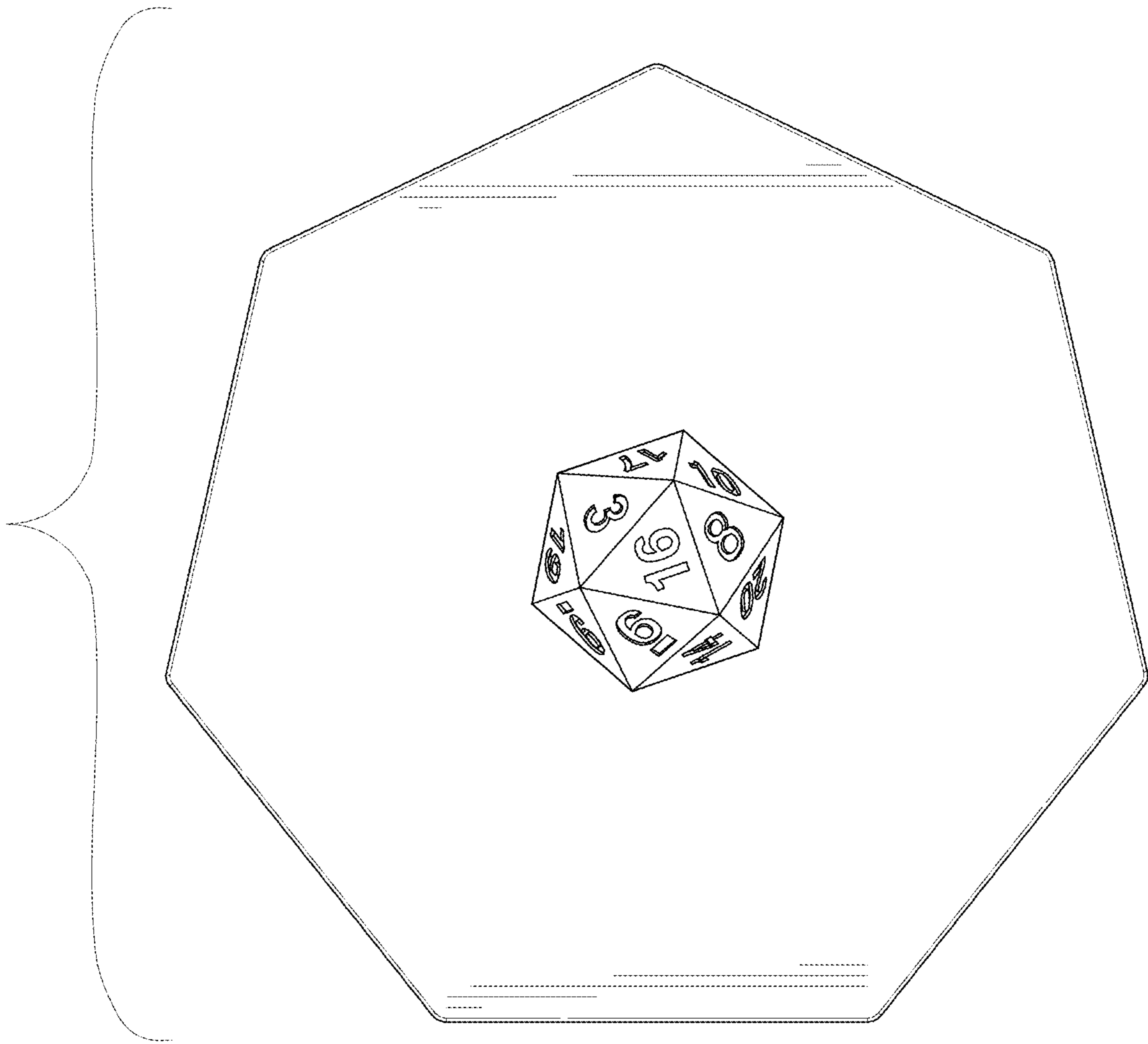


FIG. 7

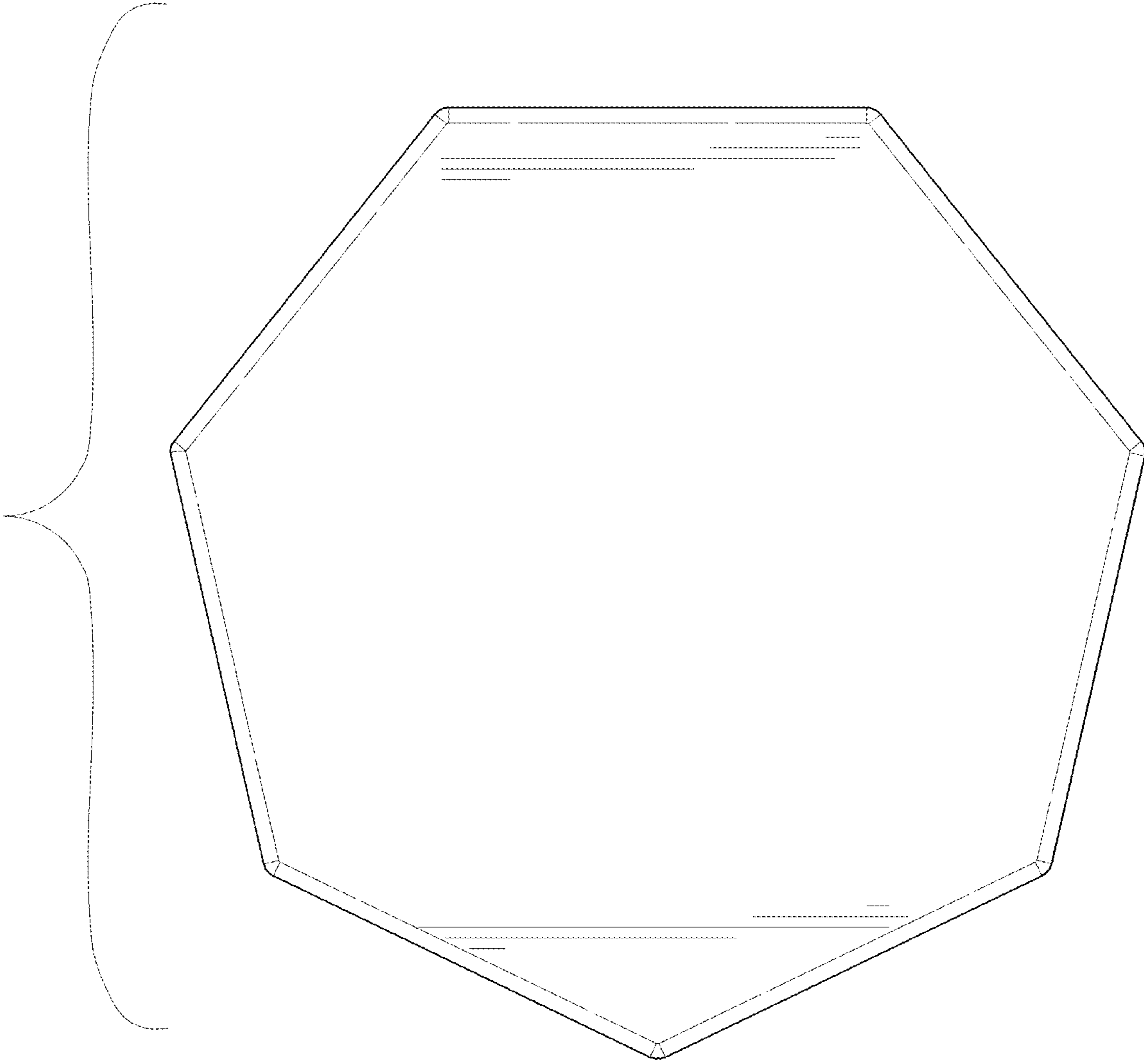


FIG. 8