



US00D974478S

(12) **United States Design Patent** (10) **Patent No.:** **US D974,478 S**
Josifovski (45) **Date of Patent:** **** Jan. 3, 2023**

(54) **GAMING MACHINE**

FOREIGN PATENT DOCUMENTS

(71) Applicant: **Highway Group Pty Limited,**
Mayfield (AU)

KR 300823720.0000 * 11/2015

(72) Inventor: **Steve Josifovski,** Mayfield (AU)

OTHER PUBLICATIONS

(73) Assignee: **HIGHWAY GROUP PTY LIMITED,**
Mayfield (AU)

32" LED Typhoon Two Player Arcade, first available Jul. 16, 2021, syweb.com [online], site visited Nov. 18, 2021], Available from internet URL: <https://bit.ly/3oKlb9L> (Year: 2021).*

(**) Term: **15 Years**

“Top 10 Mortal Kombat Arcade Machine”, Mar. 9, 2018, Youtube, site visited Aug. 9, 2022: <https://www.youtube.com/watch?v=SZnSf22pB5w> (Year: 2018).*

(21) Appl. No.: **29/741,407**

“Project Retrocade—Building an Arcade Machine” Mar. 15, 2014, Youtube, site visited Aug. 9, 2022: <https://www.youtube.com/watch?v=QSd8CjoqH1l> (Year: 2014).*

(22) Filed: **Jul. 13, 2020**

“Making an Arcade Cabinet for Mortal Kombat”, May 17, 2019, Youtube, site visited Aug. 9, 2022: <https://www.youtube.com/watch?v=CINYNFbRu50> (Year: 2019).*

(51) **LOC (14) Cl.** **21-03**

(52) **U.S. Cl.**
USPC **D21/369**

(58) **Field of Classification Search**
USPC D21/325, 329, 369, 371, 370, 385, 394;
D25/48.7; D14/129, 126, 127, 128,
D14/138 G, 172, 248, 307, 325, 341, 371,
D14/374, 375, 401, 432, 439, 450;
D6/657, 662, 661, 663, 664.1, 667, 668,
D6/669, 671, 671.1, 671.2, 672, 673
CPC G07F 17/3216; G07F 17/3211; G07F
17/3267; G07F 17/3213; G07F 17/34
See application file for complete search history.

* cited by examiner

Primary Examiner — Jack Reickel

Assistant Examiner — Salamah Jordan

(74) *Attorney, Agent, or Firm* — Mitchell Law PLLC;
Matthew W. Mitchell

(56) **References Cited**

U.S. PATENT DOCUMENTS

D213,676 S * 4/1969 Biro D25/48.7
D818,048 S * 5/2018 Calhoun D21/369
D819,747 S * 6/2018 Castro D21/369
D822,117 S * 7/2018 Costa D21/325
10,181,236 B2 * 1/2019 Goldstein G07F 17/3216
D843,467 S * 3/2019 Johnson D21/369
D843,473 S * 3/2019 Zedell, Jr. D21/369
D868,165 S * 11/2019 Ortiz De Viveiros D21/369
D911,451 S * 2/2021 Ortiz De Viveiros D21/369
D913,379 S * 3/2021 Calhoun Lewis D21/369
D918,303 S * 5/2021 DeMarco D21/369
D934,347 S * 10/2021 Ocampo D21/370
D934,955 S * 11/2021 Van Linden D21/369

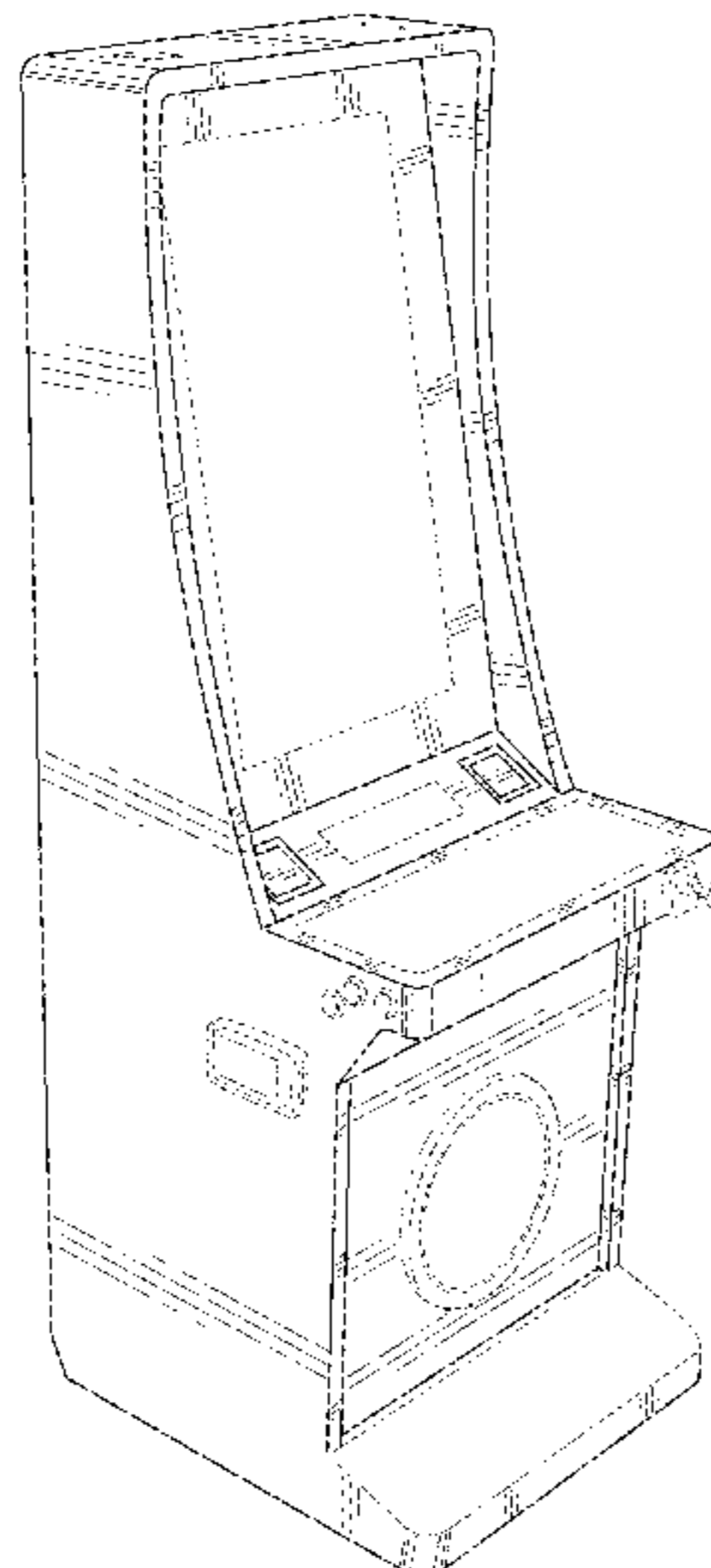
(57) **CLAIM**

The ornamental design for a gaming machine, as shown and described.

DESCRIPTION

FIG. 1 is a front perspective view of a gaming machine, showing my new design;
FIG. 2 is a front view thereof;
FIG. 3 is a right-side view thereof;
FIG. 4 is a left-side view thereof; and,
FIG. 5 is a top plan view thereof.
The broken lines in the figures illustrate portions of the gaming machine that form no part of the claimed design.

1 Claim, 5 Drawing Sheets



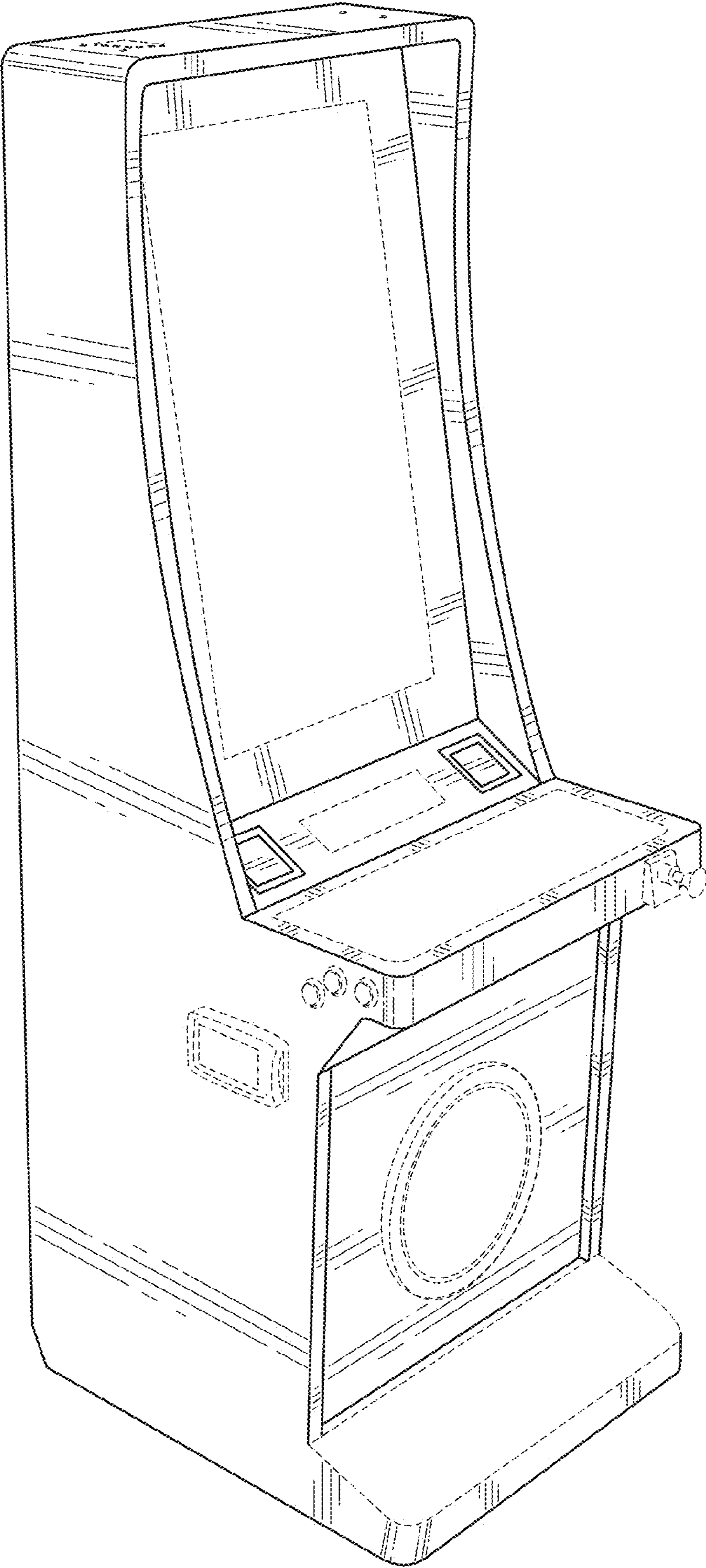


FIG. 1

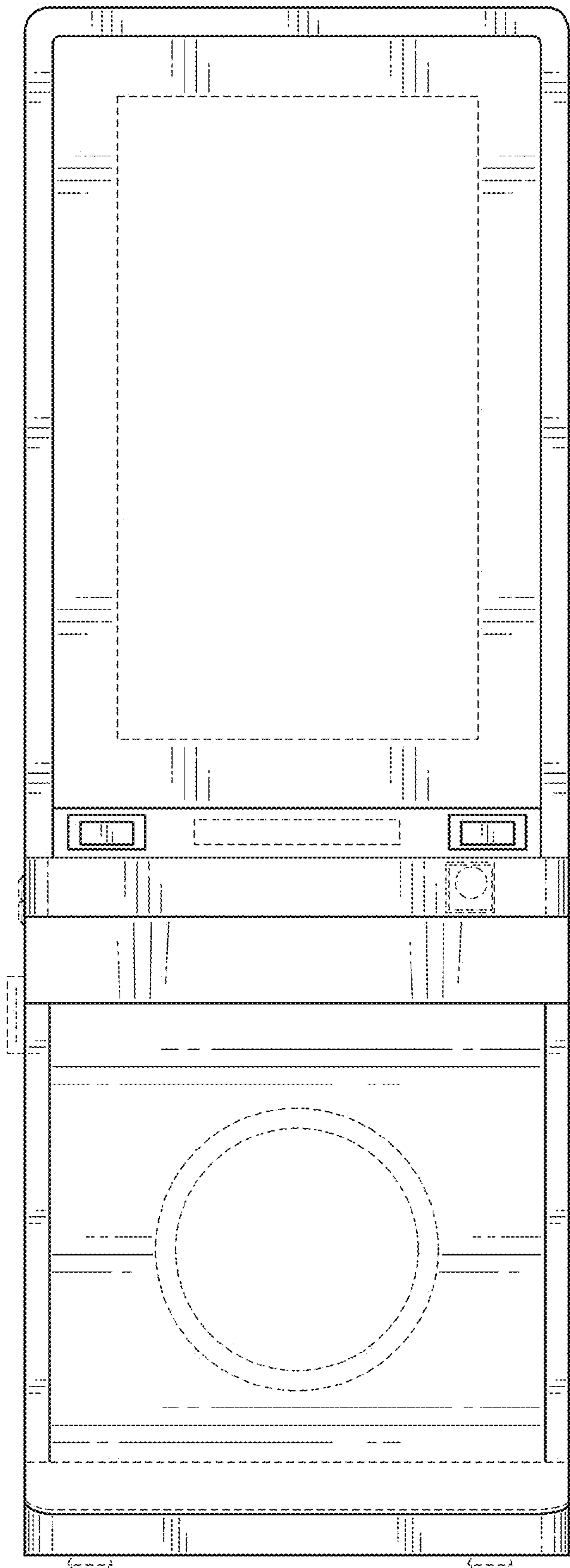


FIG. 2

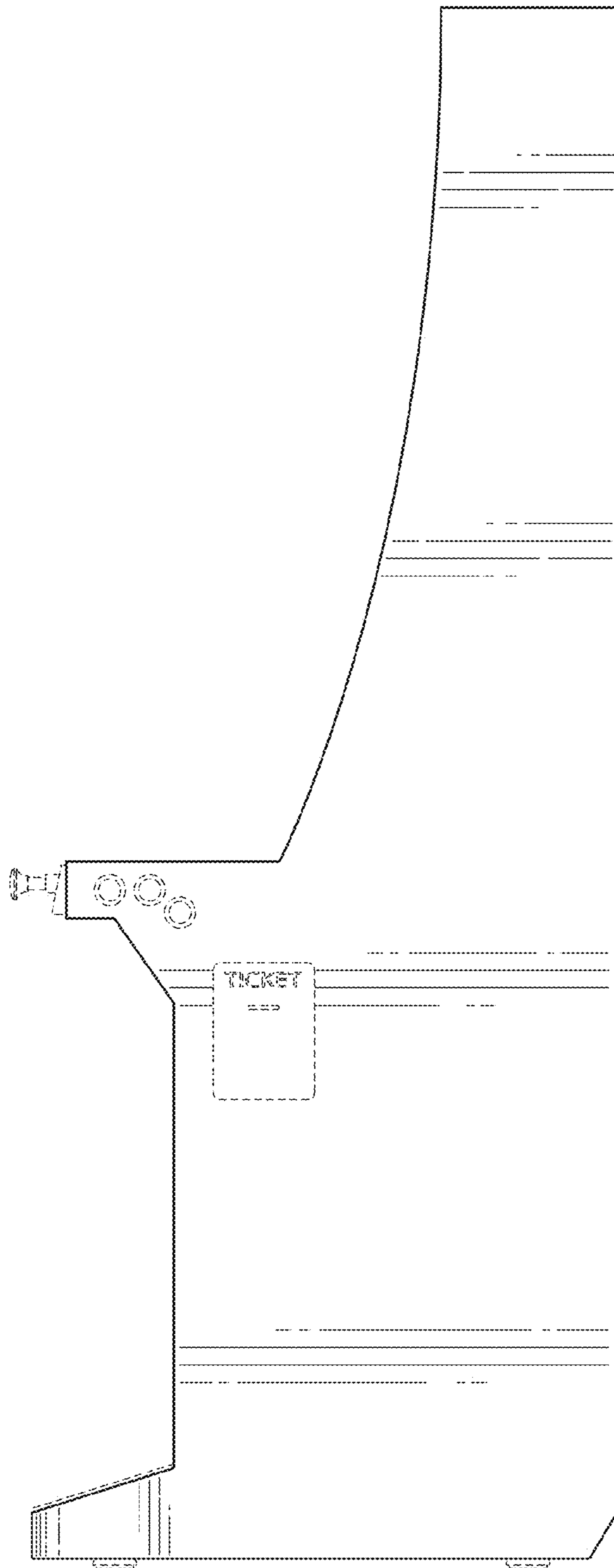


FIG. 3

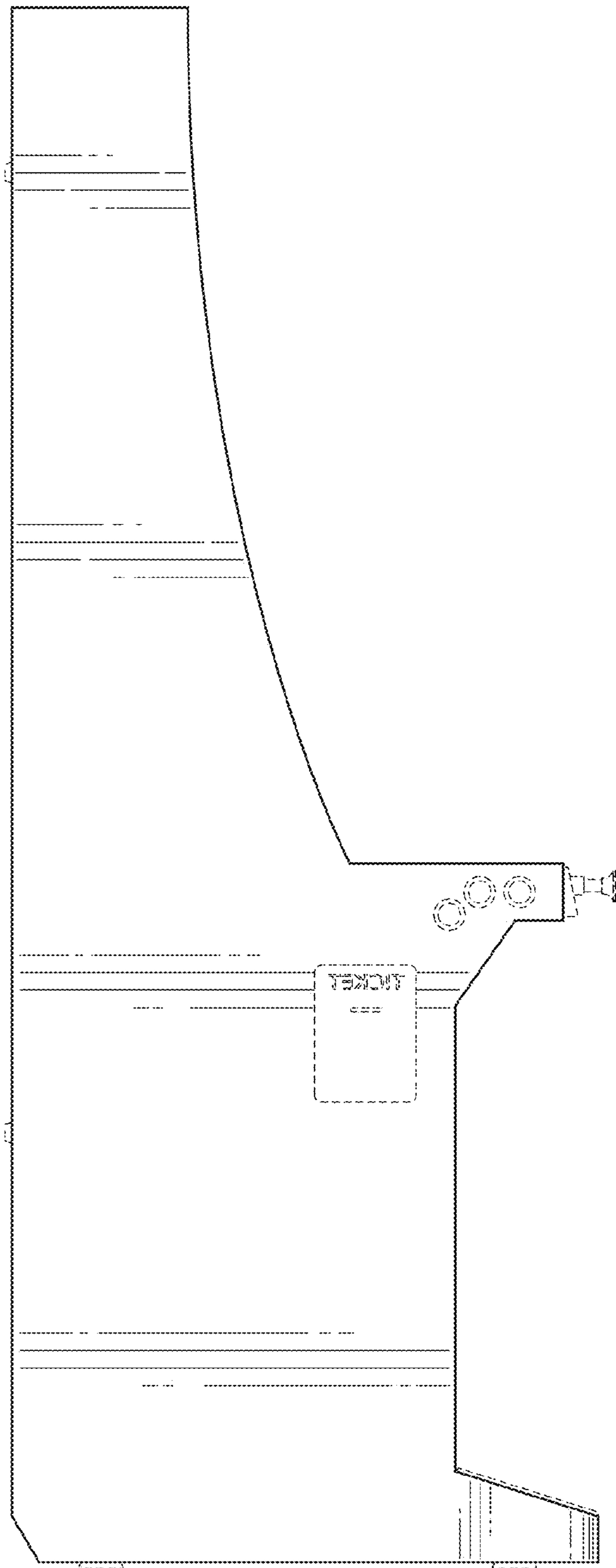


FIG. 4

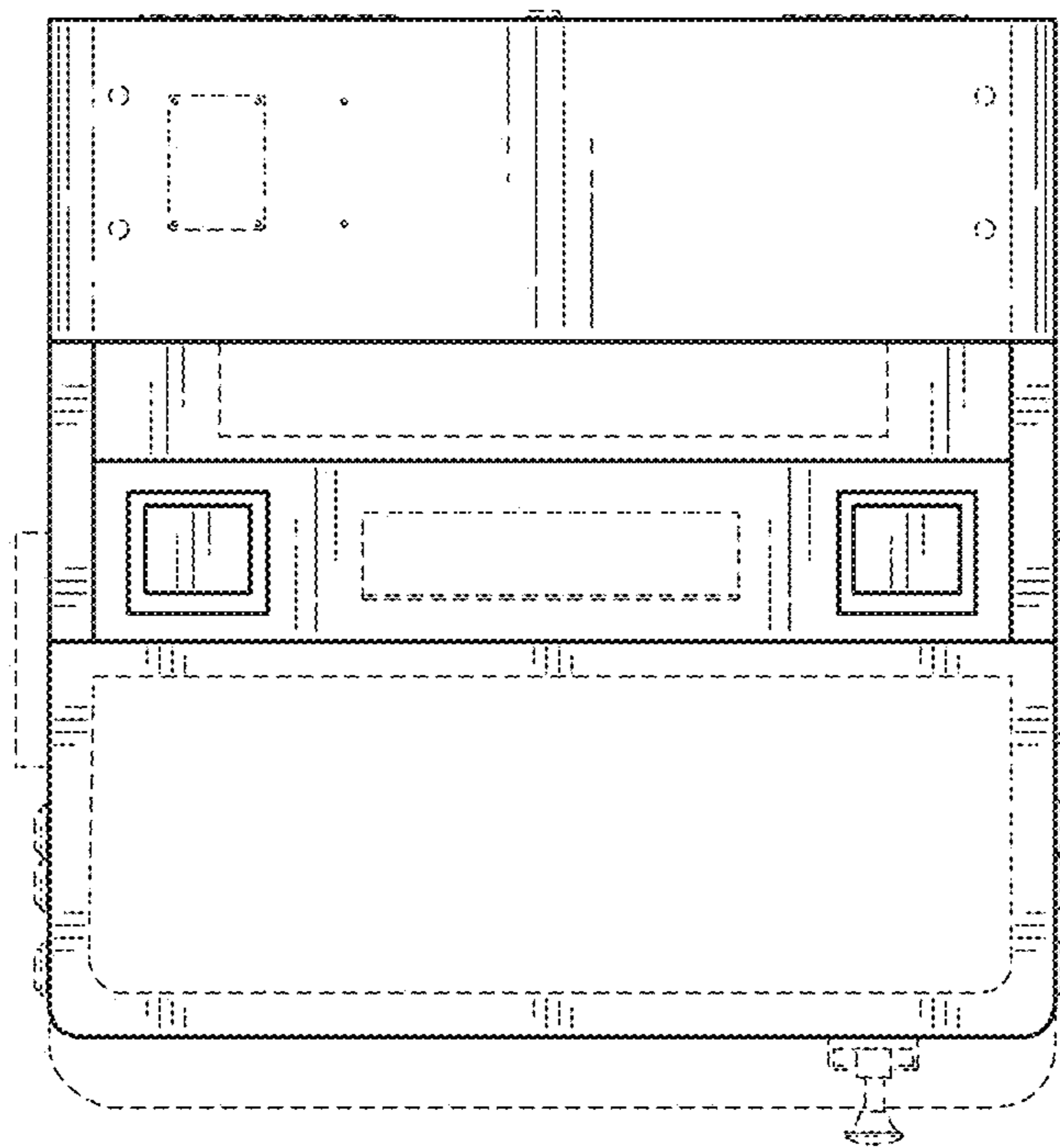


FIG. 5