



US00D974476S

(12) **United States Design Patent**  
**Wang**

(10) **Patent No.:** **US D974,476 S**  
(45) **Date of Patent:** **\*\* Jan. 3, 2023**

(54) **GAMEPAD**

(71) Applicant: **HUBEI ZUANMA INTELLIGENT CONTROL TECHNOLOGY CO., LTD, E'Zhou (CN)**

(72) Inventor: **Sen Wang, Shenzhen (CN)**

(73) Assignee: **HUBEI ZUANMA INTELLIGENT CONTROL TECHNOLOGY CO., LTD, E'Zhou (CN)**

(\*\*) Term: **15 Years**

(21) Appl. No.: **29/865,906**

(22) Filed: **Aug. 19, 2022**

(51) **LOC (14) Cl.** ..... **21-01**

(52) **U.S. Cl.**  
USPC ..... **D21/333**

(58) **Field of Classification Search**  
USPC ..... D21/324, 332-337, 566, 572-574, 328;  
D14/217, 218, 356, 387, 388, 389, 400,  
D14/401, 415, 418, 426-431, 443, 447,  
D14/449, 450, 454, 455, 471, 474, 483,  
D14/496, 51; D13/164, 168  
CPC .. A63F 9/02; A63F 9/24; A63F 9/0291; A63F  
9/0252; A63F 13/00; A63F 13/23; A63F  
13/24; A63F 13/26; A63F 13/98; A63F  
13/02; A63F 13/12; A63F 9/00; A63F  
2300/00; A63F 2300/1031  
See application file for complete search history.

(56) **References Cited**

**U.S. PATENT DOCUMENTS**

D794,717 S \* 8/2017 Kujawski ..... D14/401  
D856,334 S \* 8/2019 Salter ..... D14/401  
D871,505 S \* 12/2019 Wang ..... D21/333  
D885,387 S \* 5/2020 Hu ..... D14/401

D894,281 S \* 8/2020 Wang ..... D21/333  
D905,790 S \* 12/2020 Chatterjee ..... D14/401  
D907,119 S \* 1/2021 Zhou ..... D21/333  
D912,734 S \* 3/2021 Yang ..... D21/333  
D921,116 S \* 6/2021 Zhou ..... D21/333  
D922,492 S \* 6/2021 Li .....  
D923,097 S \* 6/2021 Zhao ..... D21/333  
D928,235 S \* 8/2021 Paterson ..... D21/333  
D928,236 S \* 8/2021 Zhou .....  
D928,883 S \* 8/2021 Zhou ..... D21/333  
D934,344 S \* 10/2021 Hsu ..... D14/401  
D940,244 S \* 1/2022 Zhou ..... D21/333  
D947,946 S \* 4/2022 Luo ..... D21/333  
D947,948 S \* 4/2022 Ma ..... D21/333  
D950,648 S \* 5/2022 Su ..... D21/333  
D951,354 S \* 5/2022 Feng ..... D21/333  
D954,838 S \* 6/2022 Kobayashi ..... D21/333  
D958,889 S \* 7/2022 Luo ..... D21/333  
D958,893 S \* 7/2022 Zhu ..... D21/333

\* cited by examiner

*Primary Examiner* — Mehri F Bajoul

(57) **CLAIM**

The ornamental design for a gamepad, as shown and described.

**DESCRIPTION**

FIG. 1 is a perspective view of a gamepad showing my new design;  
FIG. 2 is another perspective view thereof;  
FIG. 3 is a front elevational view thereof;  
FIG. 4 is a rear elevational view thereof;  
FIG. 5 is a left side elevational view thereof;  
FIG. 6 is a right side elevational view thereof;  
FIG. 7 is a top plan view thereof; and,  
FIG. 8 is a bottom plan view thereof.  
The broken lines in the drawings depict portions of the gamepad that form no part of the claimed design.

**1 Claim, 8 Drawing Sheets**

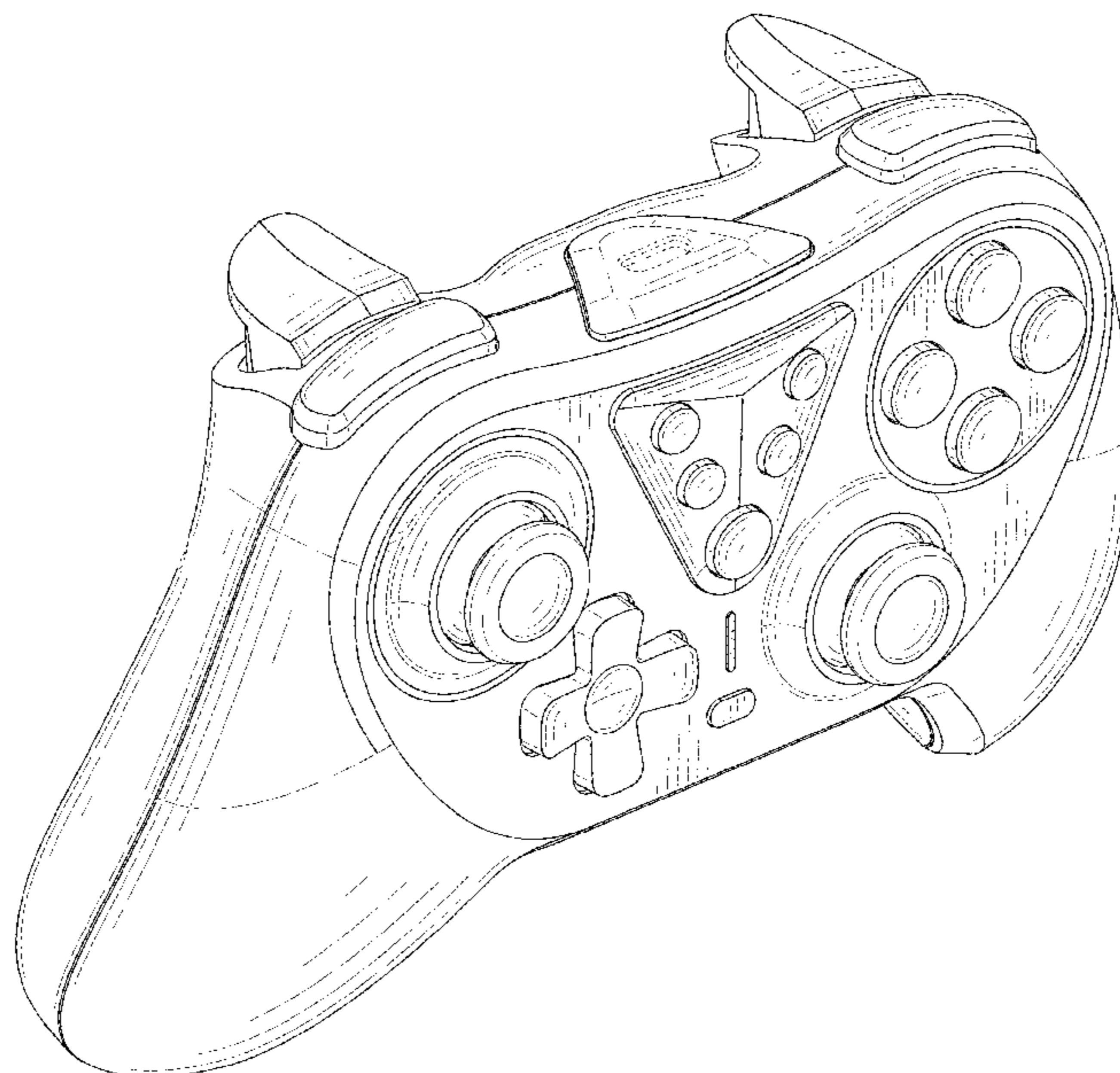




FIG. 1

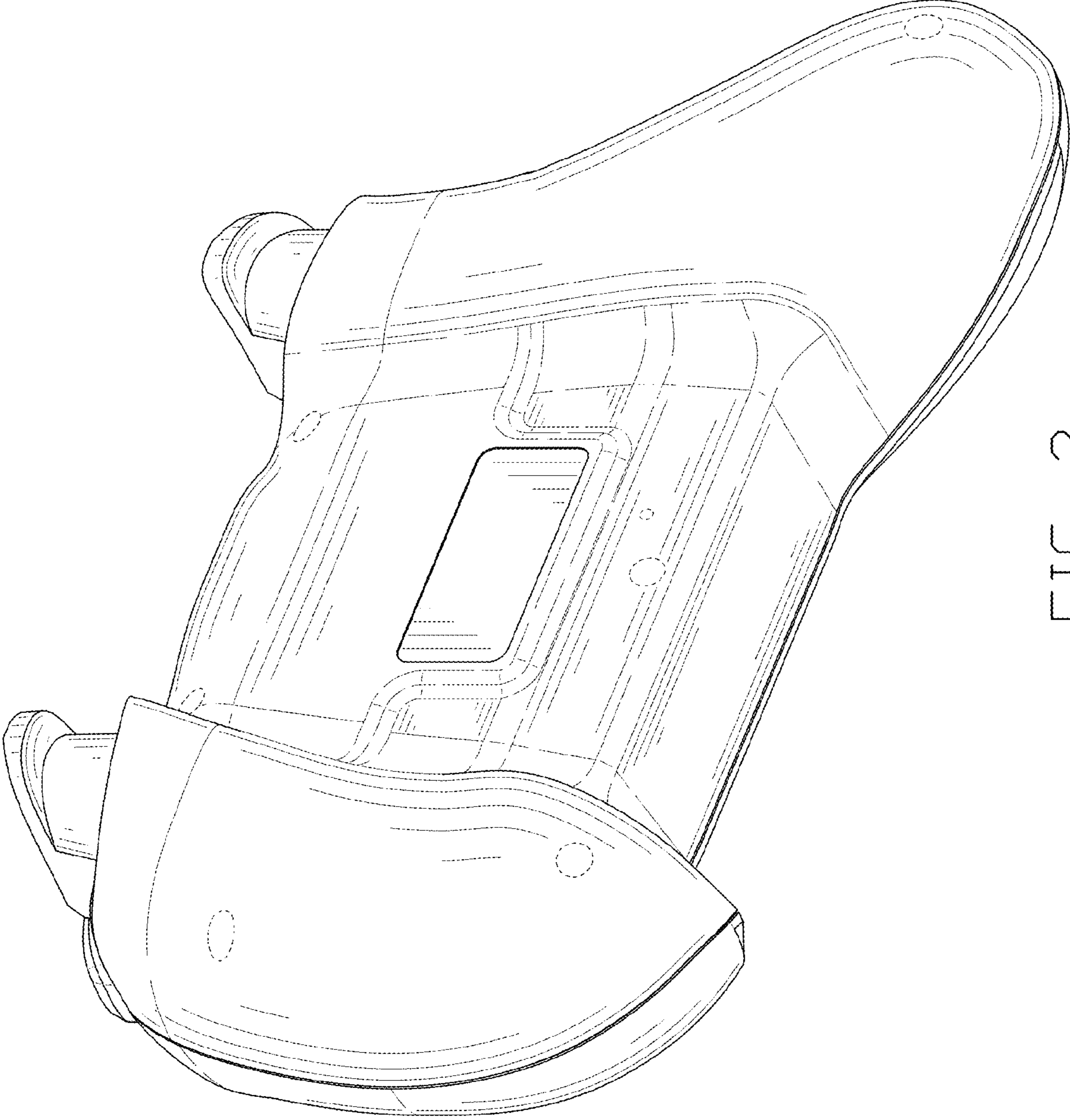


FIG. 2



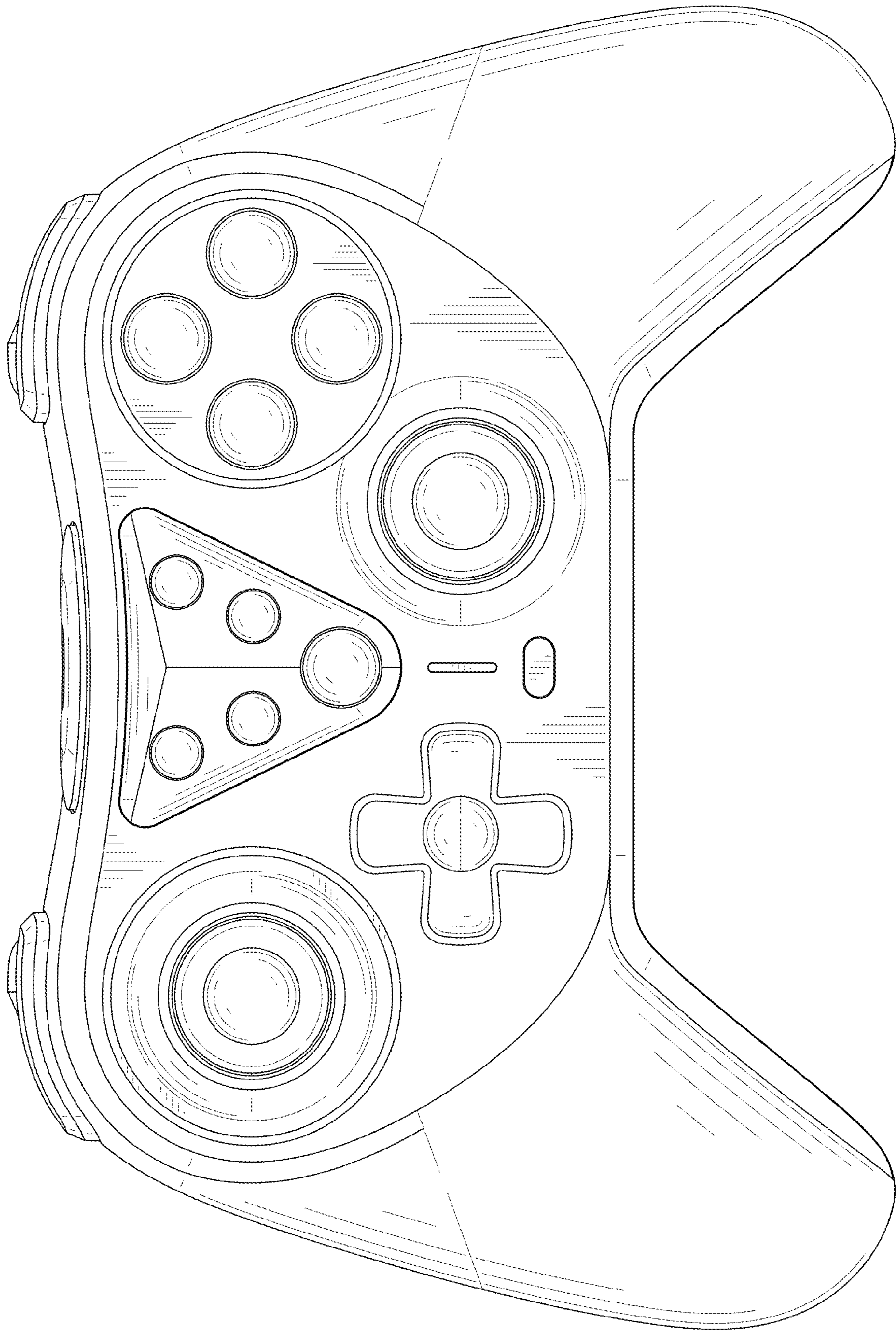


FIG. 3

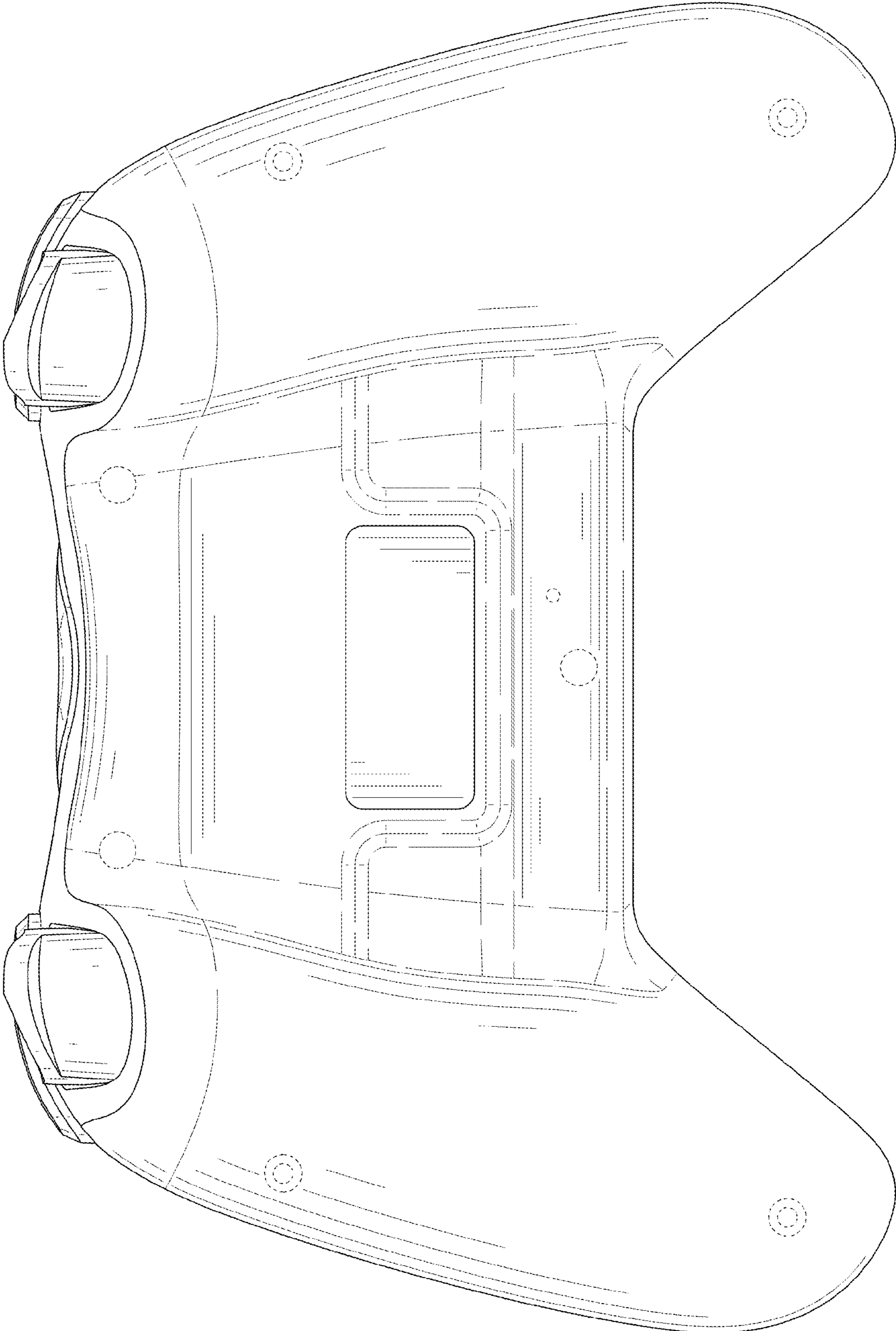


FIG. 4

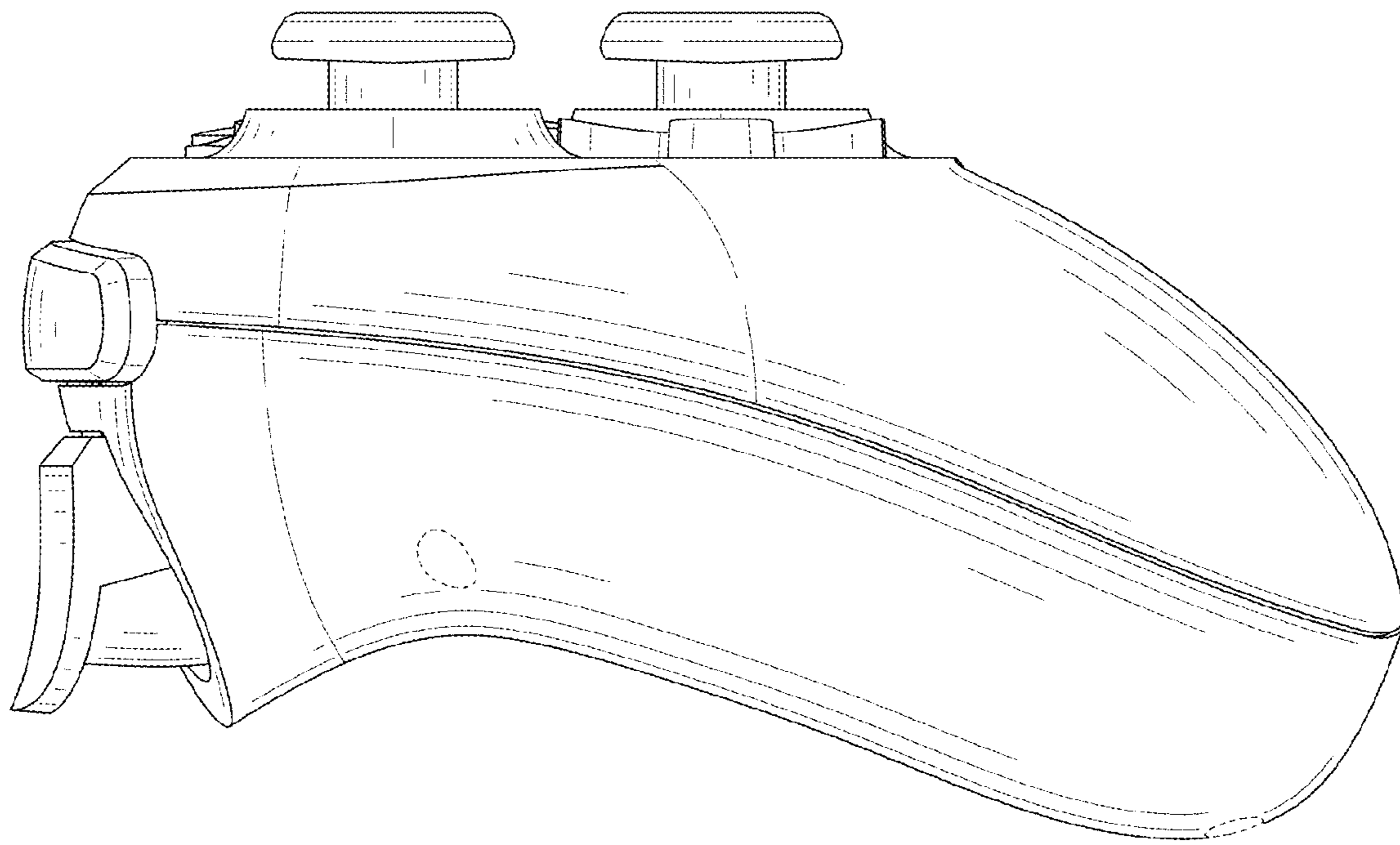


FIG. 5

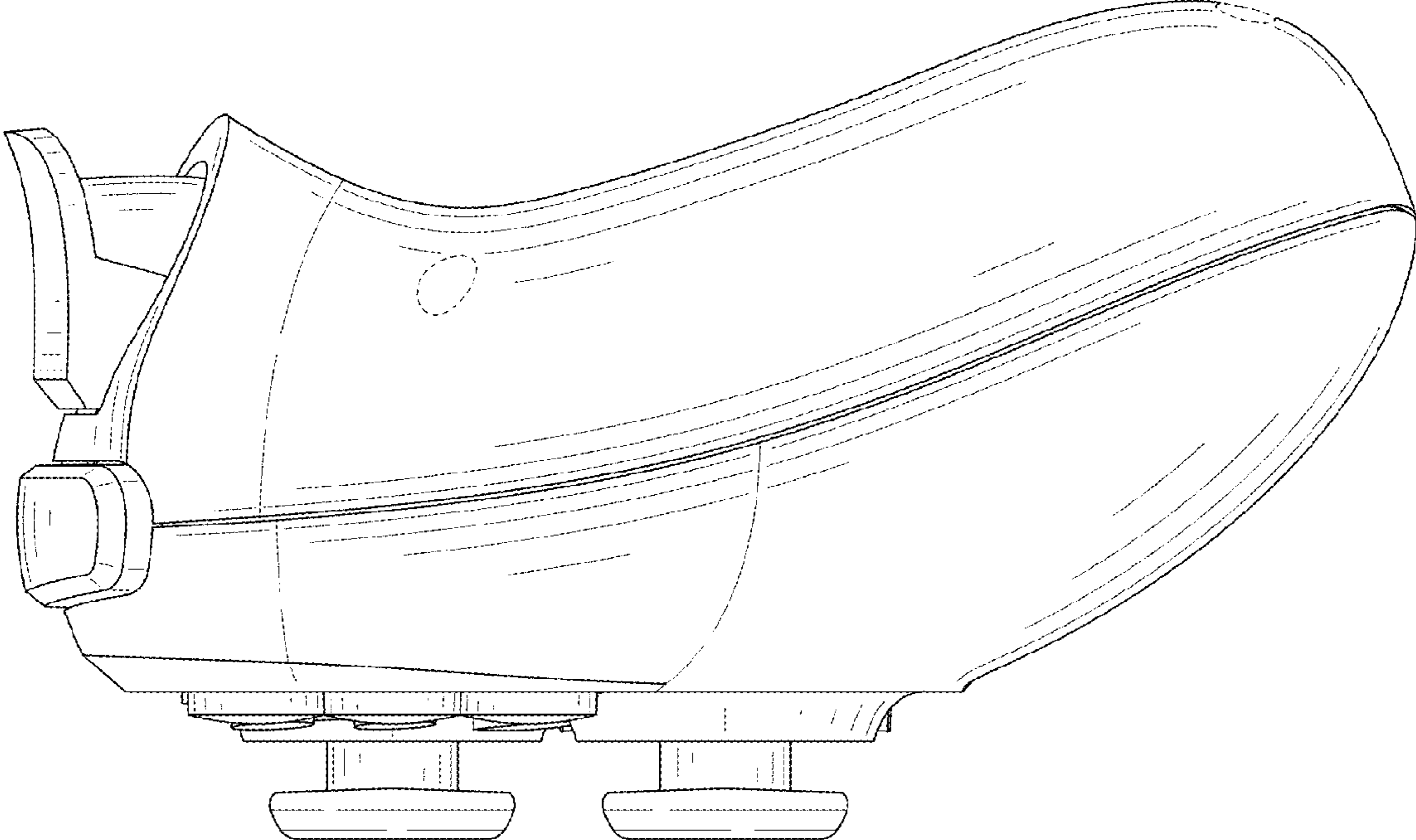


FIG. 6



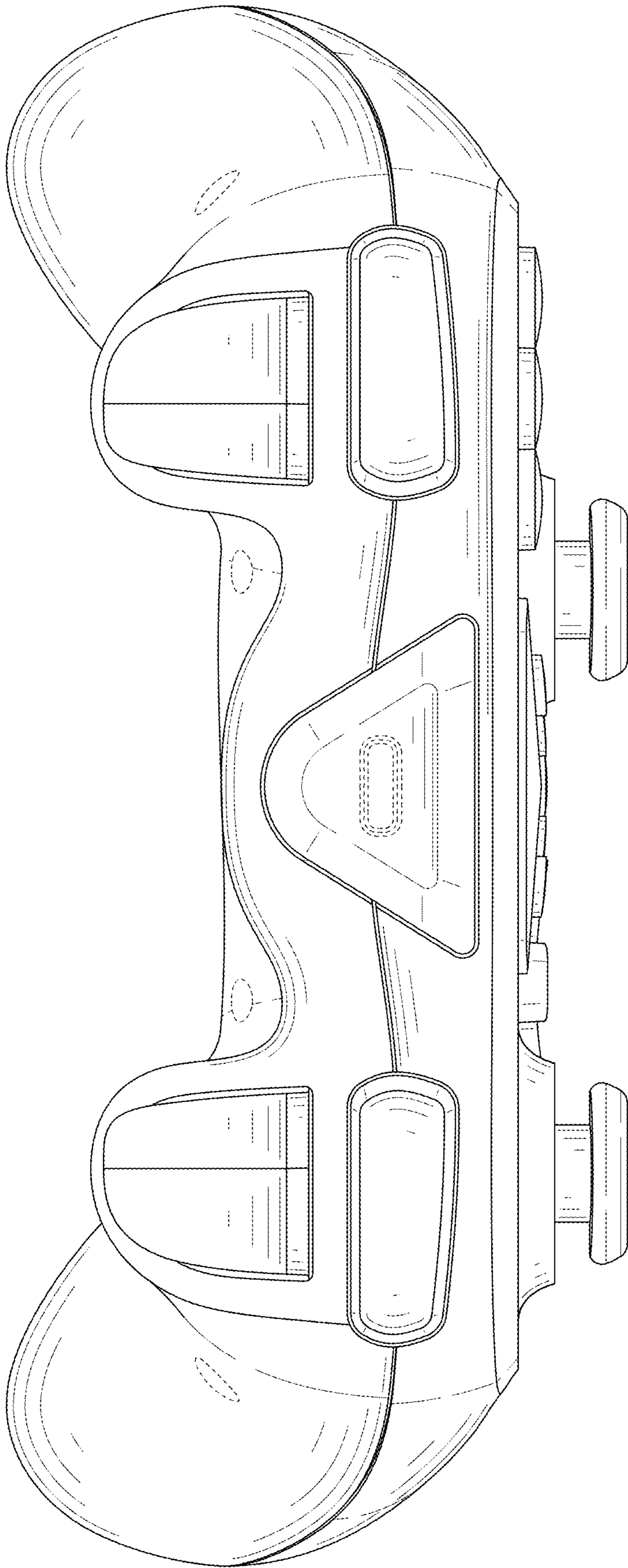


FIG. 7



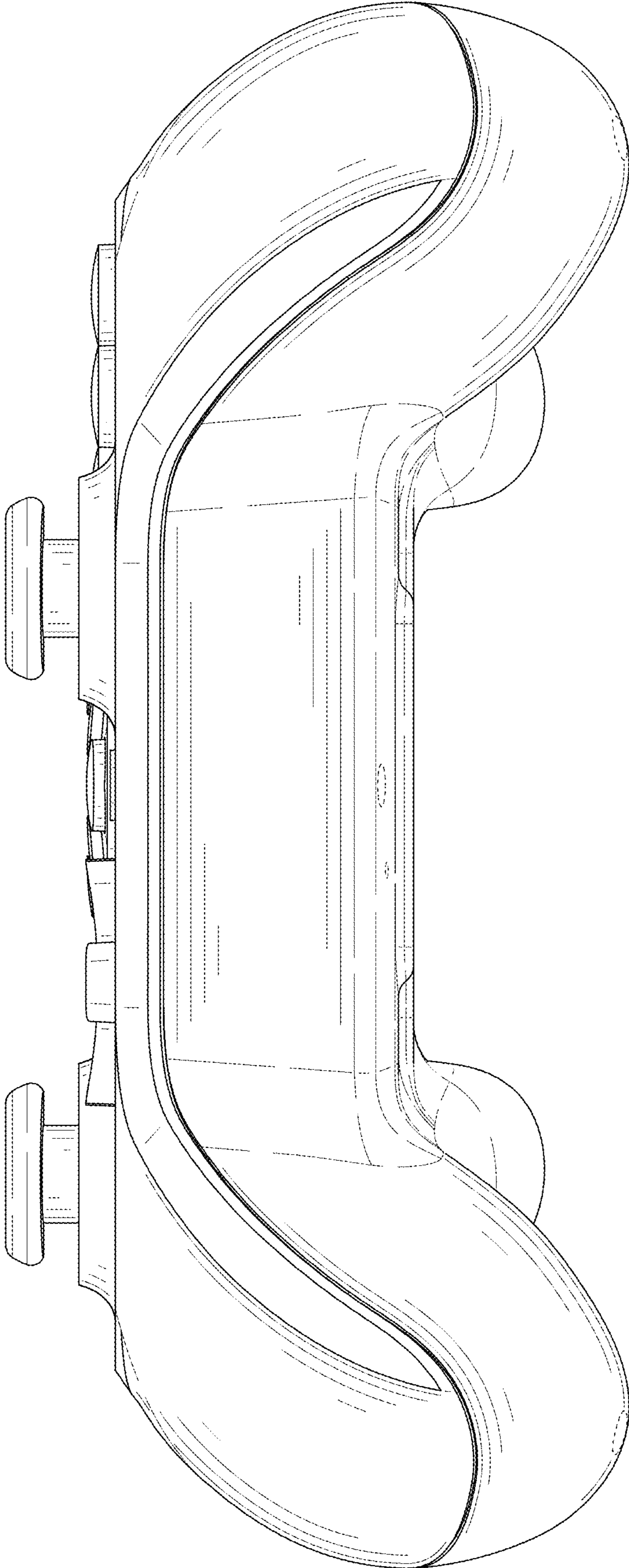


FIG. 8