



US00D974475S

(12) **United States Design Patent**  
**Yan**

(10) **Patent No.:** **US D974,475 S**

(45) **Date of Patent:** **\*\* Jan. 3, 2023**

(54) **RACING SIMULATOR COCKPIT**

(71) Applicant: **Enling Yan**, Hubei (CN)

(72) Inventor: **Enling Yan**, Hubei (CN)

(\*\*) Term: **15 Years**

(21) Appl. No.: **29/843,383**

(22) Filed: **Jun. 21, 2022**

(51) **LOC (14) Cl.** ..... **21-01**

(52) **U.S. Cl.**  
USPC ..... **D21/333**

(58) **Field of Classification Search**  
USPC ..... D21/312, 324, 325, 326, 327, 329, 333,  
D21/349, 351-355, 366, 369, 370, 371,  
D21/385, 426, 427, 430, 471, 477, 695,  
D21/696, 814; D6/335, 356, 366, 367,  
D6/368, 716; D12/87, 112, 378.12  
CPC ..... A47C 1/121; A47C 7/40; A47C 1/026;  
A47C 1/143; A47C 7/72; A47C 7/5068;  
A63F 13/803; A63F 13/28; A63F 13/08;  
G09B 9/12

See application file for complete search history.

(56) **References Cited**

**U.S. PATENT DOCUMENTS**

D243,627 S \* 3/1977 Clower ..... D21/426  
D510,391 S \* 10/2005 Merril ..... D21/324  
D544,923 S \* 6/2007 Brase ..... D21/333  
D598,207 S \* 8/2009 Smit ..... D6/335

D615,596 S \* 5/2010 Bik ..... D21/324  
D642,222 S \* 7/2011 Pezzoni ..... D21/333  
D651,815 S \* 1/2012 Smit ..... D6/336  
D656,553 S \* 3/2012 Blaskov ..... D21/333  
D691,822 S \* 10/2013 Smit ..... D6/368  
D701,917 S \* 4/2014 Ghahramanian ..... D21/333  
D835,198 S \* 12/2018 Berlinches ..... D21/326  
D852,562 S \* 7/2019 Jui ..... D6/716  
D856,020 S \* 8/2019 Ghahramanian ..... D6/367  
D912,733 S \* 3/2021 Ghahramanian ..... D21/333

\* cited by examiner

*Primary Examiner* — Mehri F Bajoul

(74) *Attorney, Agent, or Firm* — ScienBiziP, P.C.

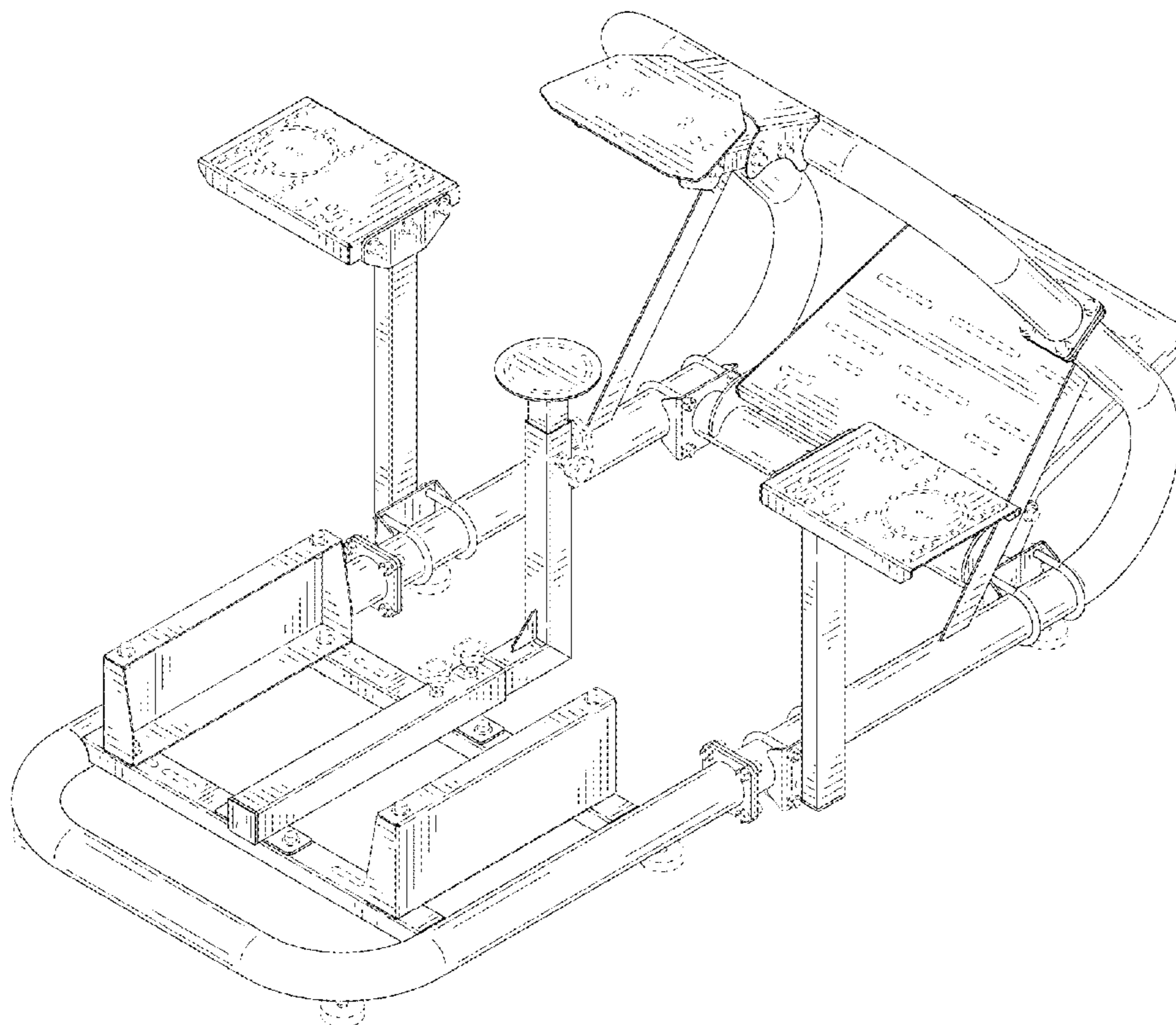
(57) **CLAIM**

The ornamental design for a racing simulator cockpit, as shown and described.

**DESCRIPTION**

FIG. 1 is a front, right and top perspective view of a racing simulator cockpit, showing my design.  
FIG. 2 is a rear, left and bottom perspective view thereof.  
FIG. 3 is a front elevation view thereof.  
FIG. 4 is a rear elevation view thereof.  
FIG. 5 is a left side elevation view thereof.  
FIG. 6 is a right side elevation view thereof.  
FIG. 7 is a top plan view thereof; and,  
FIG. 8 is a bottom plan view thereof.  
The broken lines shown in the drawings are included for the purpose of illustrating portions of the racing simulator cockpit that form no part of the claimed design.

**1 Claim, 8 Drawing Sheets**



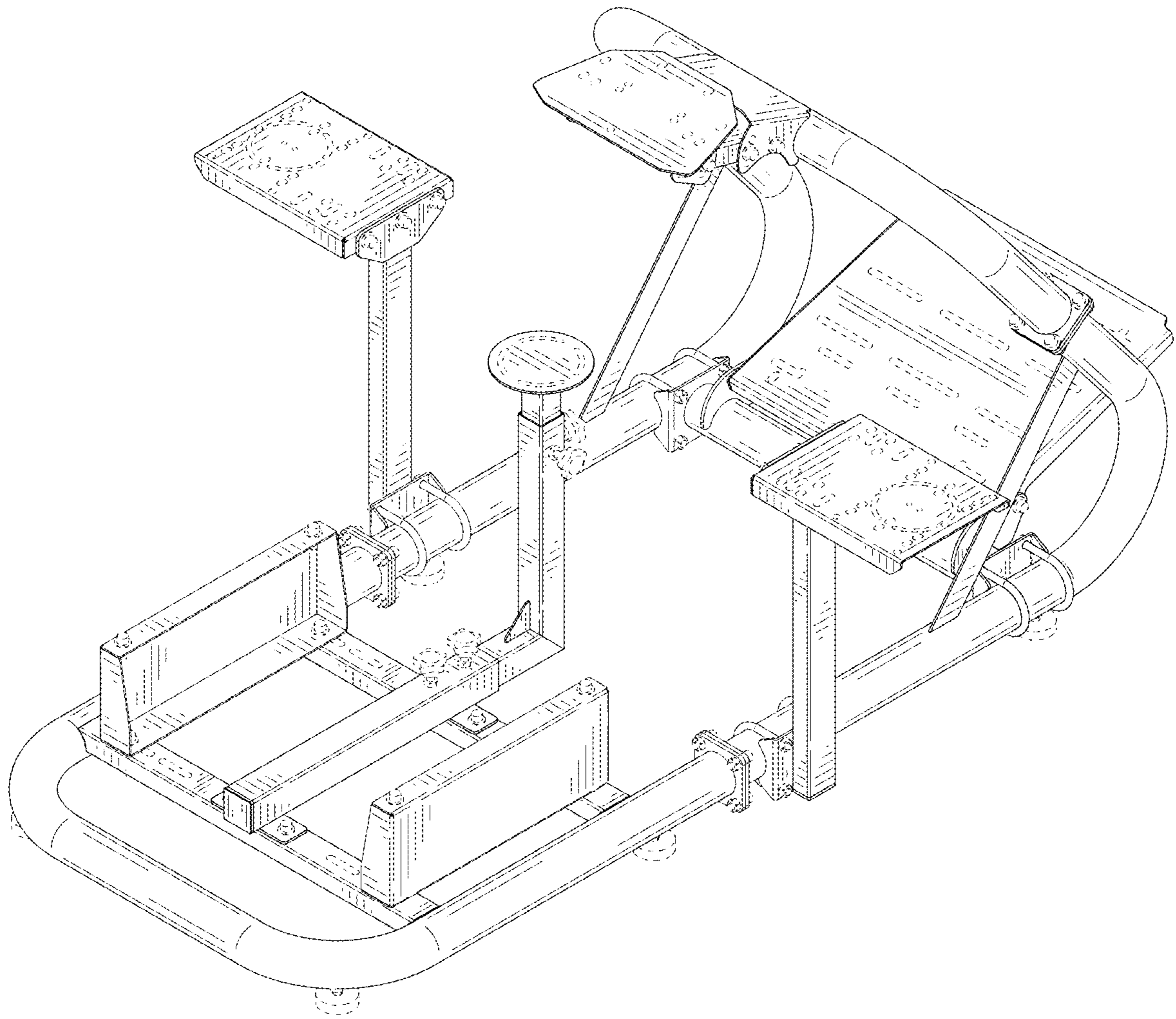


FIG. 1

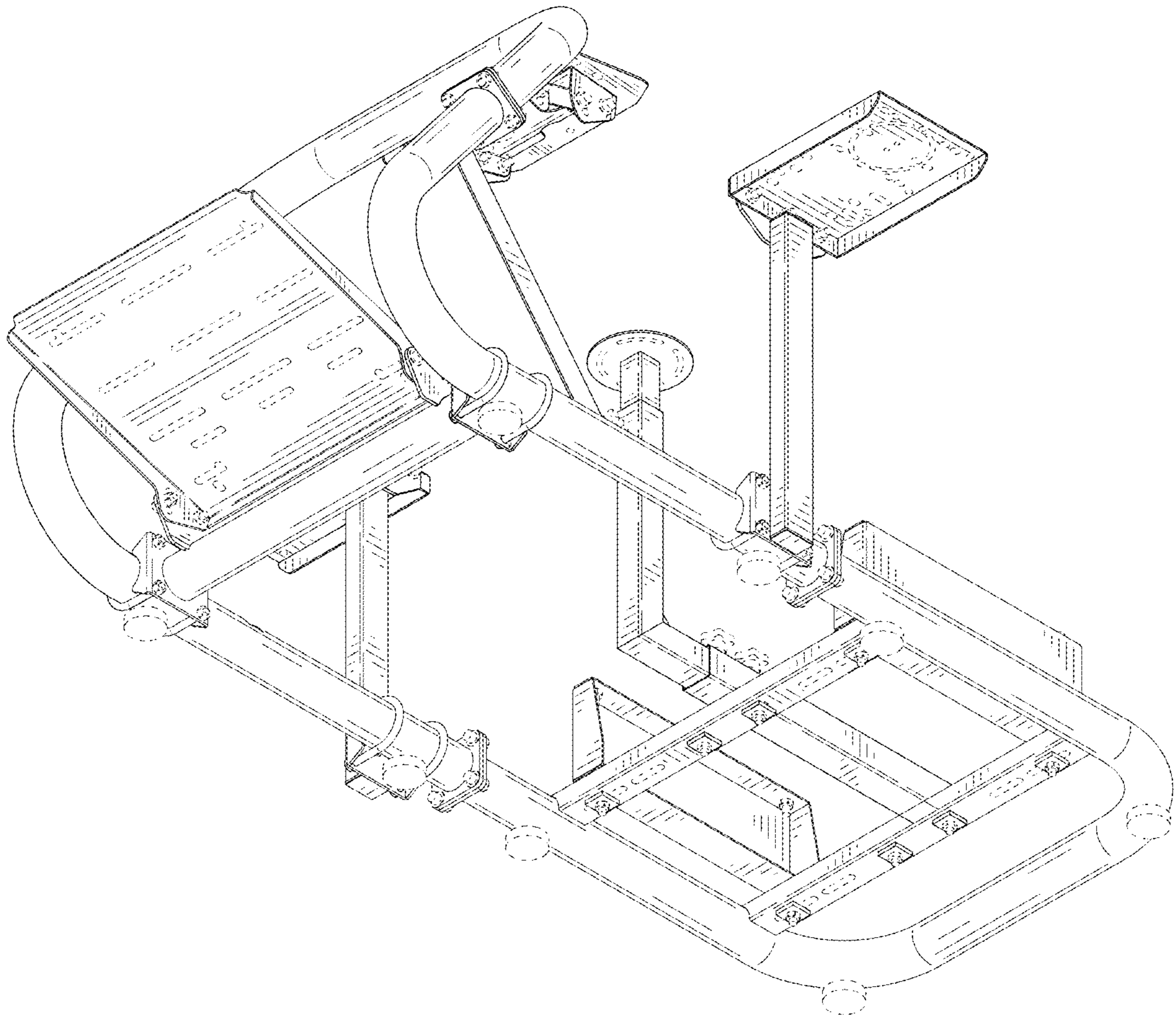


FIG. 2

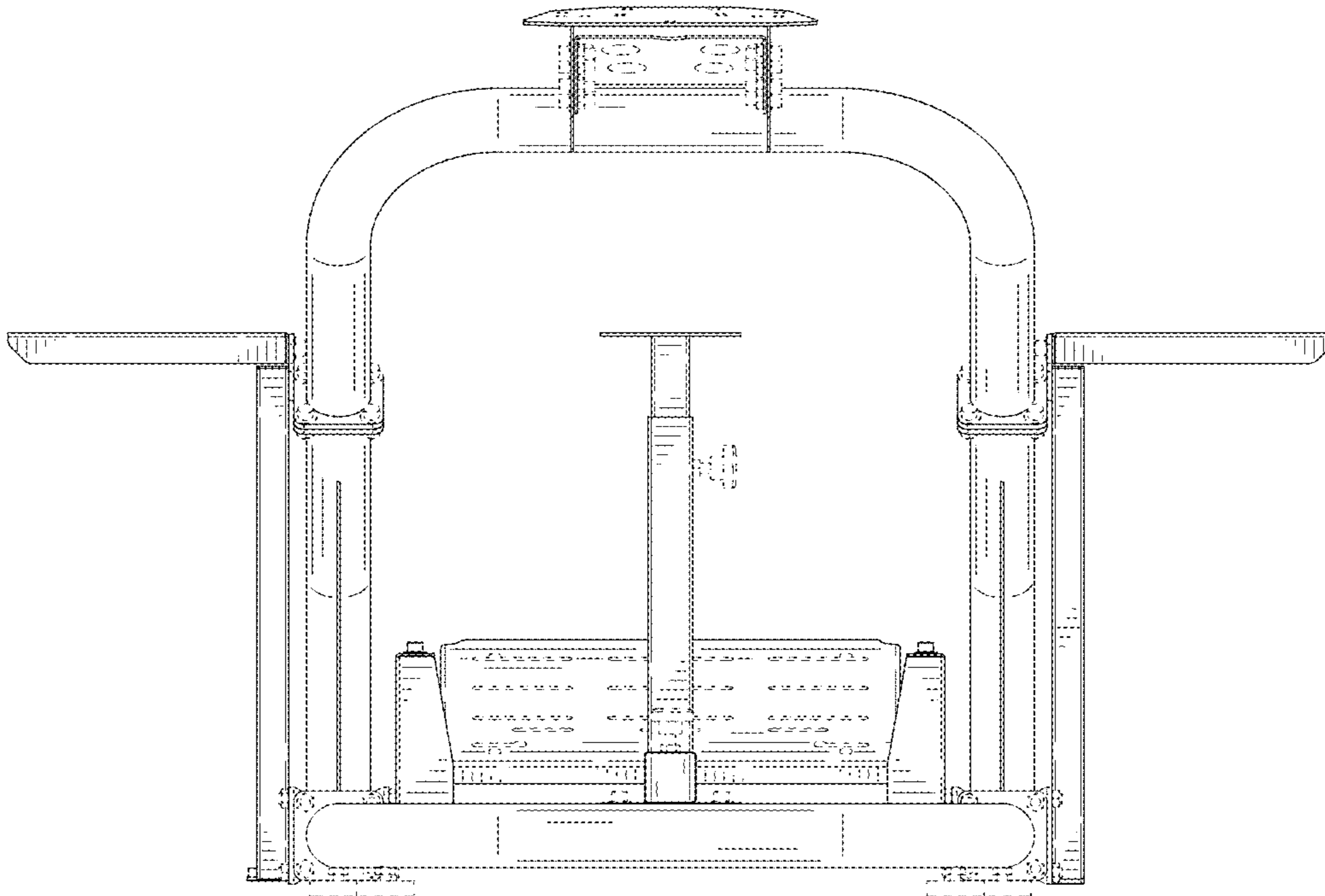


FIG. 3

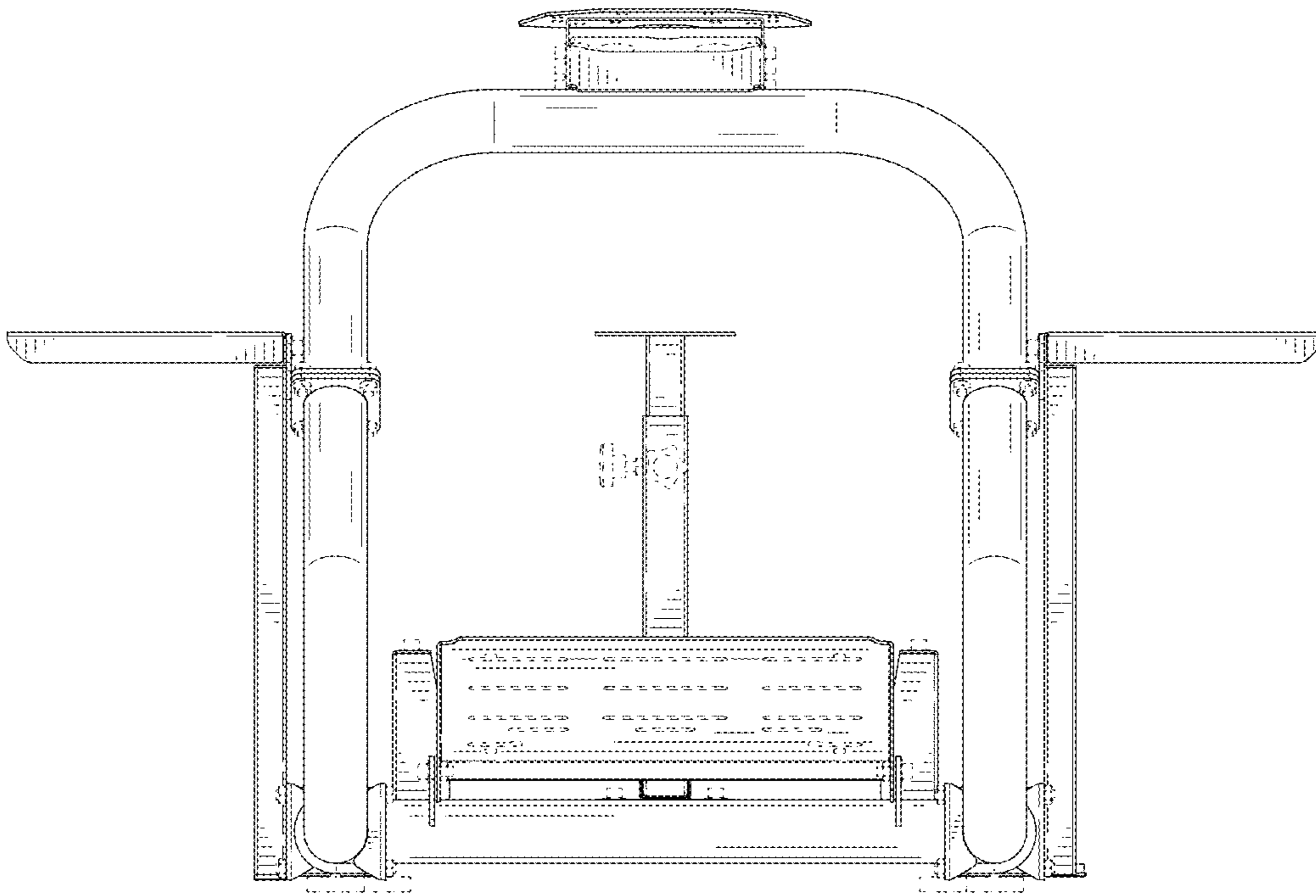


FIG. 4

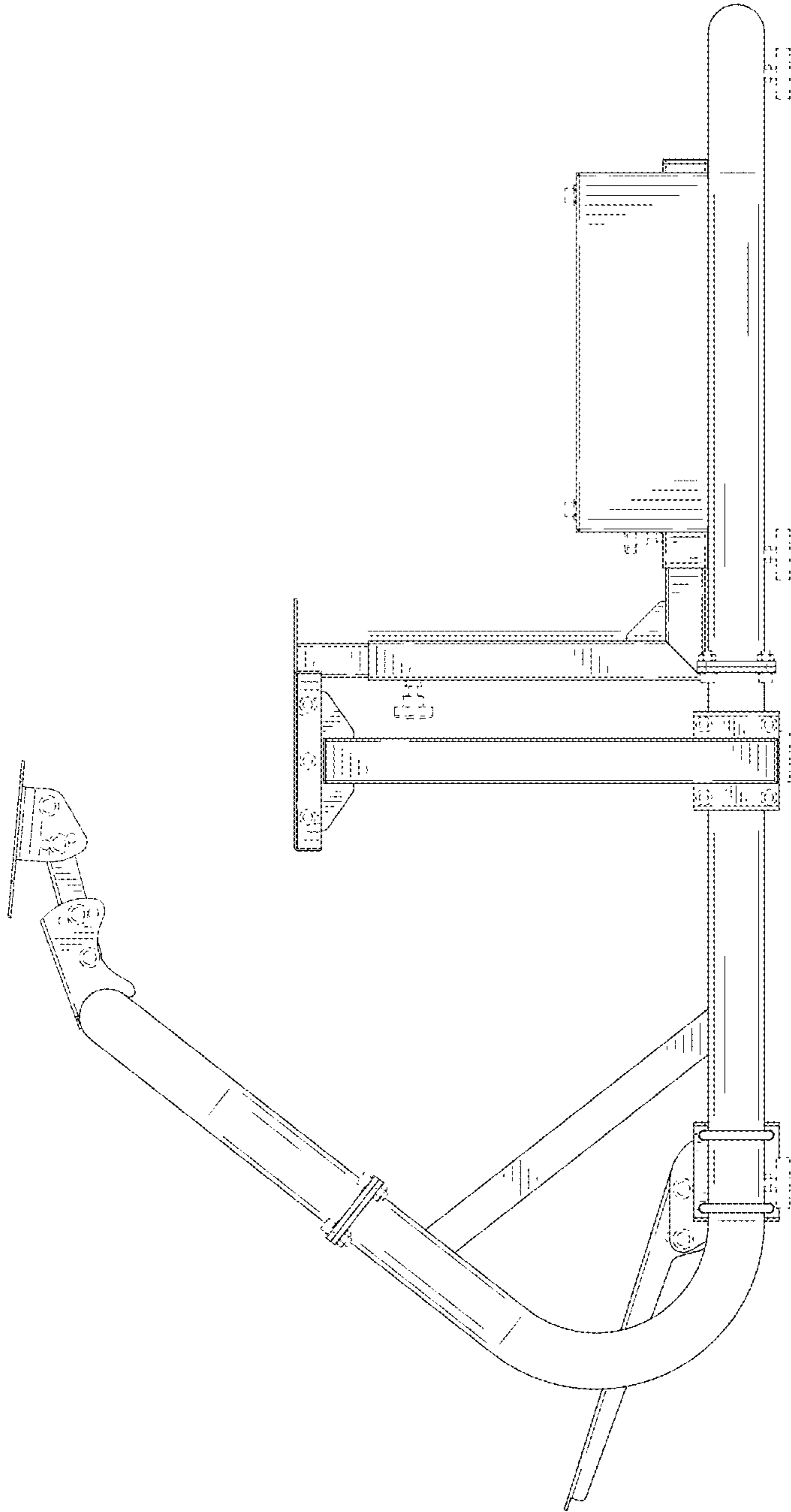


FIG. 5

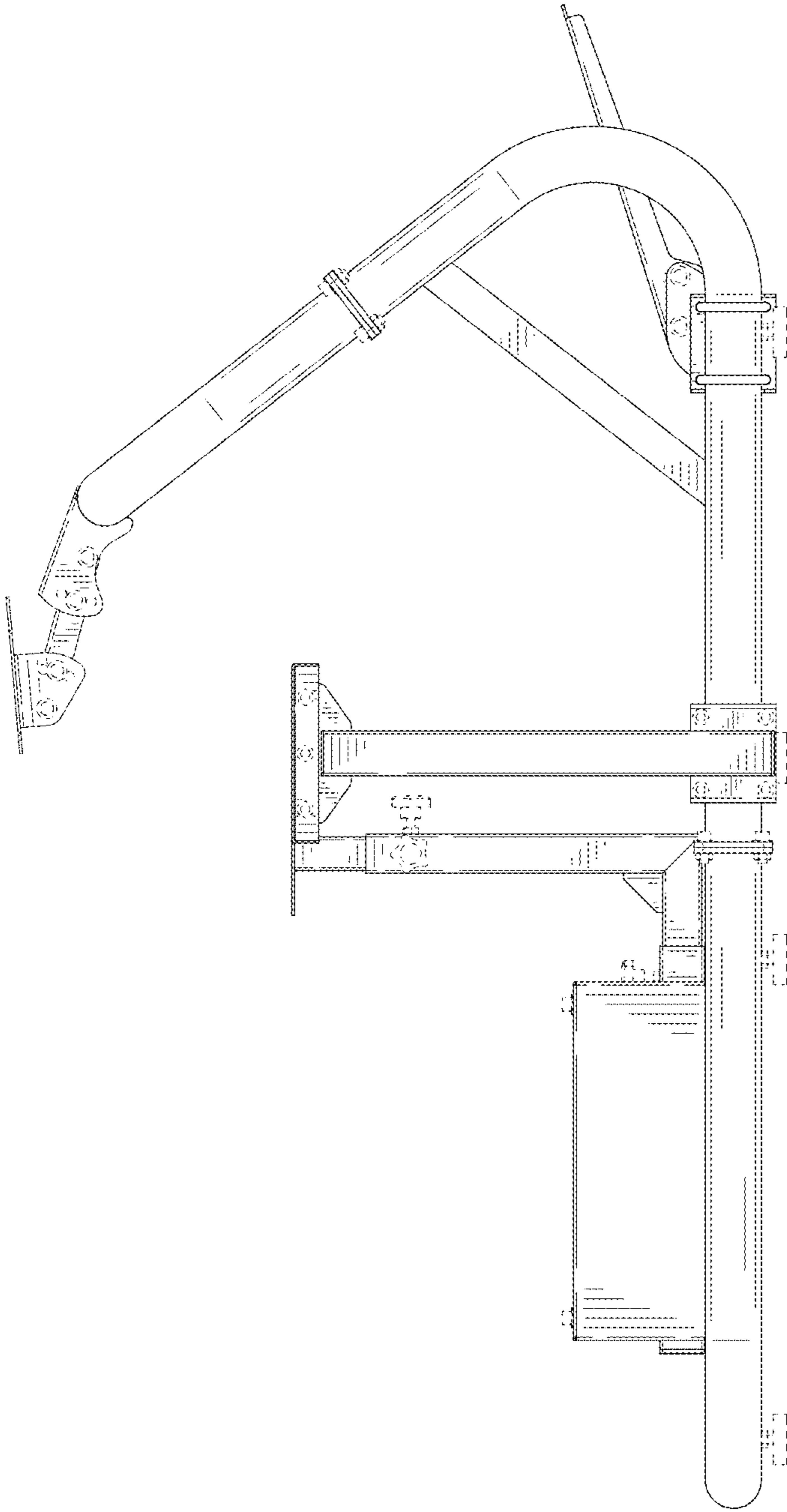


FIG. 6

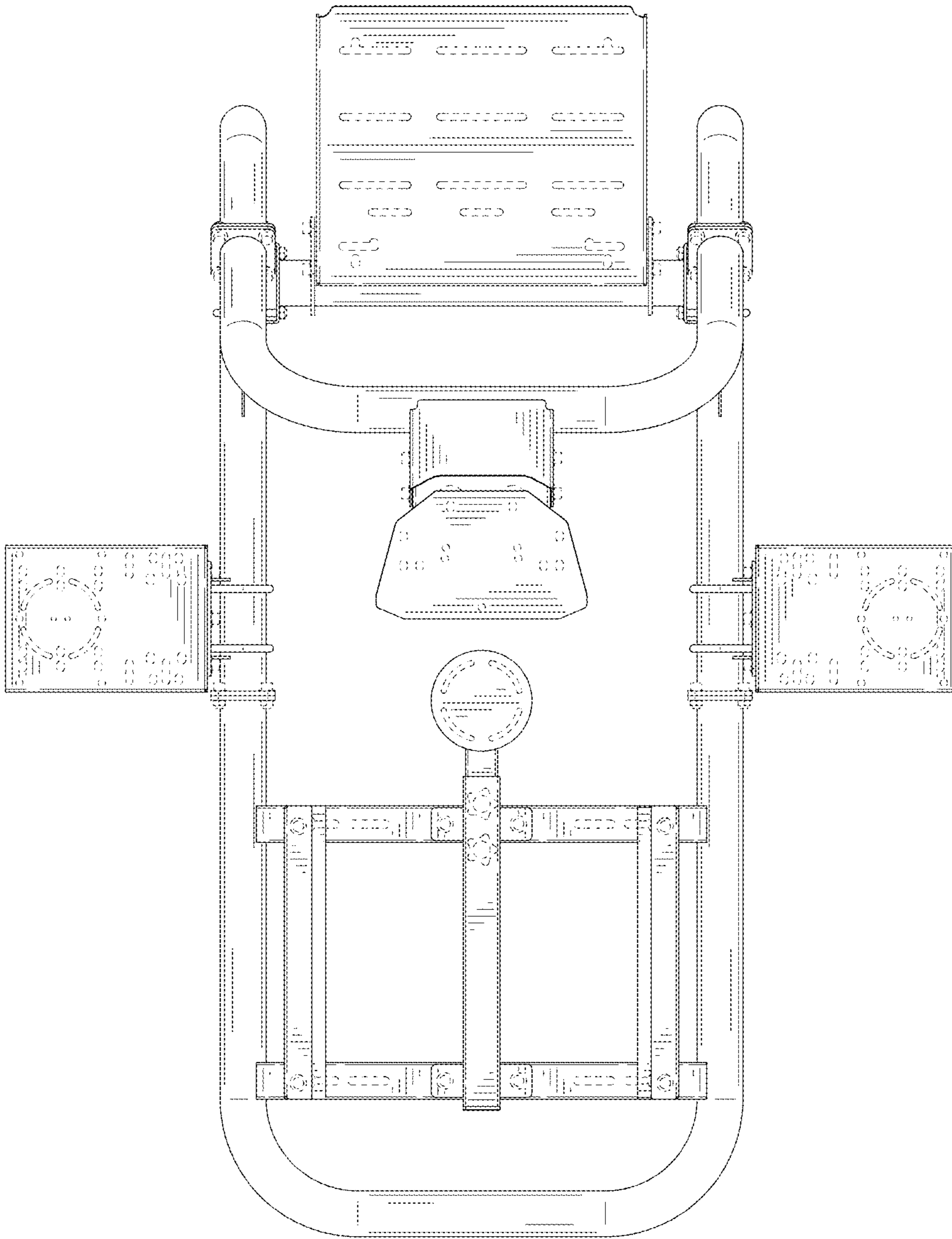


FIG. 7



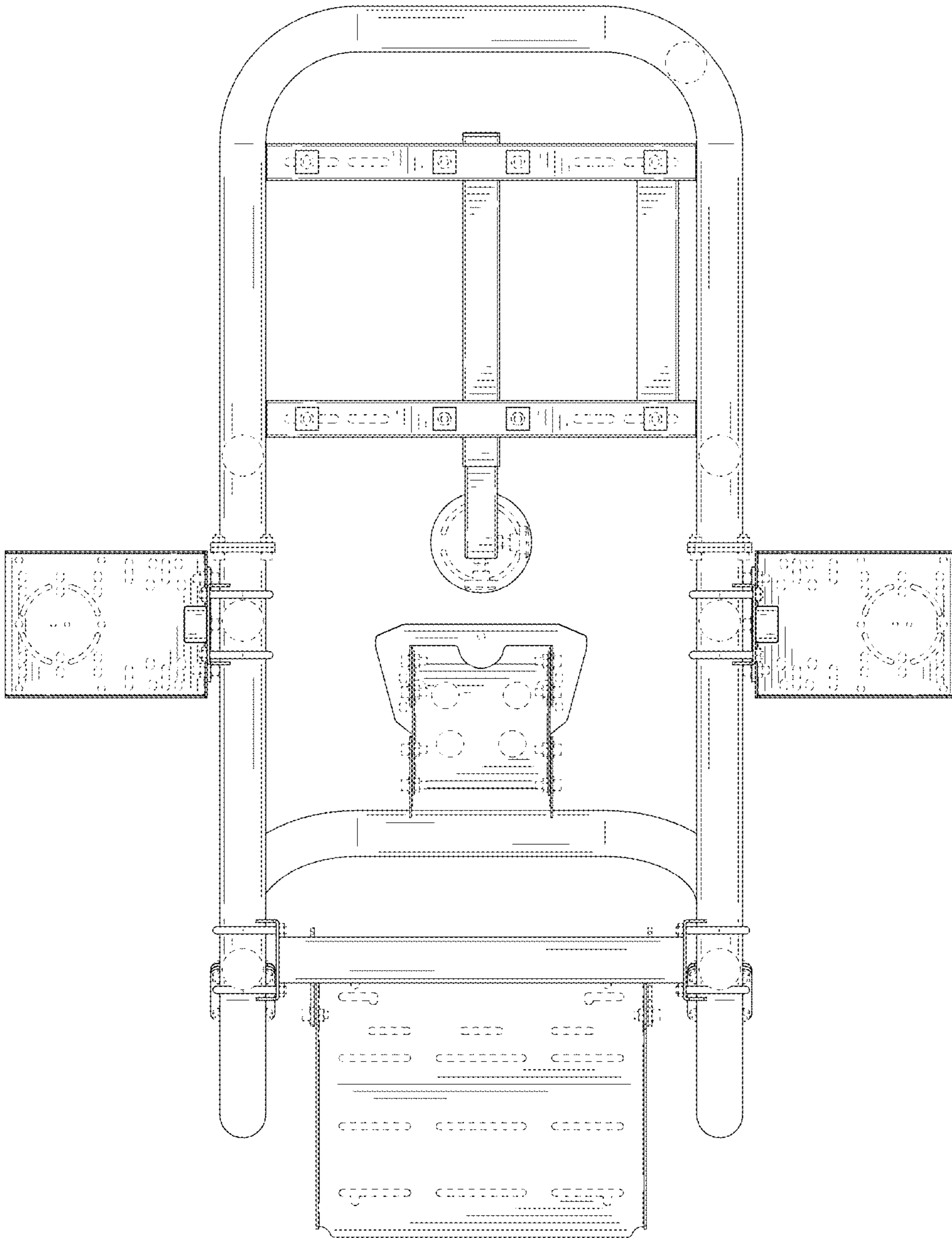


FIG. 8