



US00D974474S

(12) **United States Design Patent**
Jiang

(10) **Patent No.:** **US D974,474 S**
(45) **Date of Patent:** **** Jan. 3, 2023**

- (54) **GAME CONTROLLER**
- (71) Applicant: **DONGGUAN ENKE ELECTRONIC TECHNOLOGY CO., LTD.**,
Dongguan (CN)
- (72) Inventor: **Dan Jiang**, Ji'an (CN)
- (73) Assignee: **DONGGUAN ENKE ELECTRONIC TECHNOLOGY CO., LTD.**,
Dongguan (CN)

D854,619 S *	7/2019	Konishi	D14/401
D865,766 S *	11/2019	Hu	D14/401
D867,460 S *	11/2019	Yan	D21/333
D872,184 S *	1/2020	Chatterjee	D21/333
D905,165 S	12/2020	Adams et al.	
D907,119 S *	1/2021	Zhou	D21/333
D912,734 S *	3/2021	Yang	D21/333
D923,097 S *	6/2021	Zhao	D21/333
D923,098 S *	6/2021	Zhao	D21/333
D923,100 S *	6/2021	Zhou	D21/333
D935,460 S *	11/2021	Zhu	D14/401

(Continued)

(**) Term: **15 Years**

(21) Appl. No.: **29/813,110**

(22) Filed: **Oct. 26, 2021**

(51) **LOC (14) Cl.** **21-01**

(52) **U.S. Cl.**
USPC **D21/333**

(58) **Field of Classification Search**
USPC D21/324, 332-337, 566, 572-574, 328;
D14/217, 218, 356, 387, 388, 389, 400,
D14/401, 415, 418, 426-431, 443, 447,
D14/449, 450, 454, 455, 471, 474, 483,
D14/496, 511; D13/164, 168
CPC .. A63F 9/02; A63F 9/24; A63F 9/0291; A63F
9/0252; A63F 13/00; A63F 13/23; A63F
13/24; A63F 13/26; A63F 13/98; A63F
13/02; A63F 13/12; A63F 9/00; A63F
2300/00; A63F 2300/1031

See application file for complete search history.

(56) **References Cited**

U.S. PATENT DOCUMENTS

D708,615 S *	7/2014	Delrue	D14/401
D727,430 S *	4/2015	Sumii	D21/333
D740,288 S *	10/2015	O'Donnell, Sr.	D14/401
D783,722 S	4/2017	Peng	
D794,129 S *	8/2017	Kujawski	D14/401
D799,599 S *	10/2017	Kujawski	D21/333

OTHER PUBLICATIONS

“Evil Controllers Custom One-Hand Controller” published on Jan. 24, 2022[Online],[retrieved Aug. 11, 2022]. Retrieved from Internet: <https://www.nytimes.com/wirecutter/reviews/best-pc-gaming-controller/>.*

Primary Examiner — Mehri F Bajoul

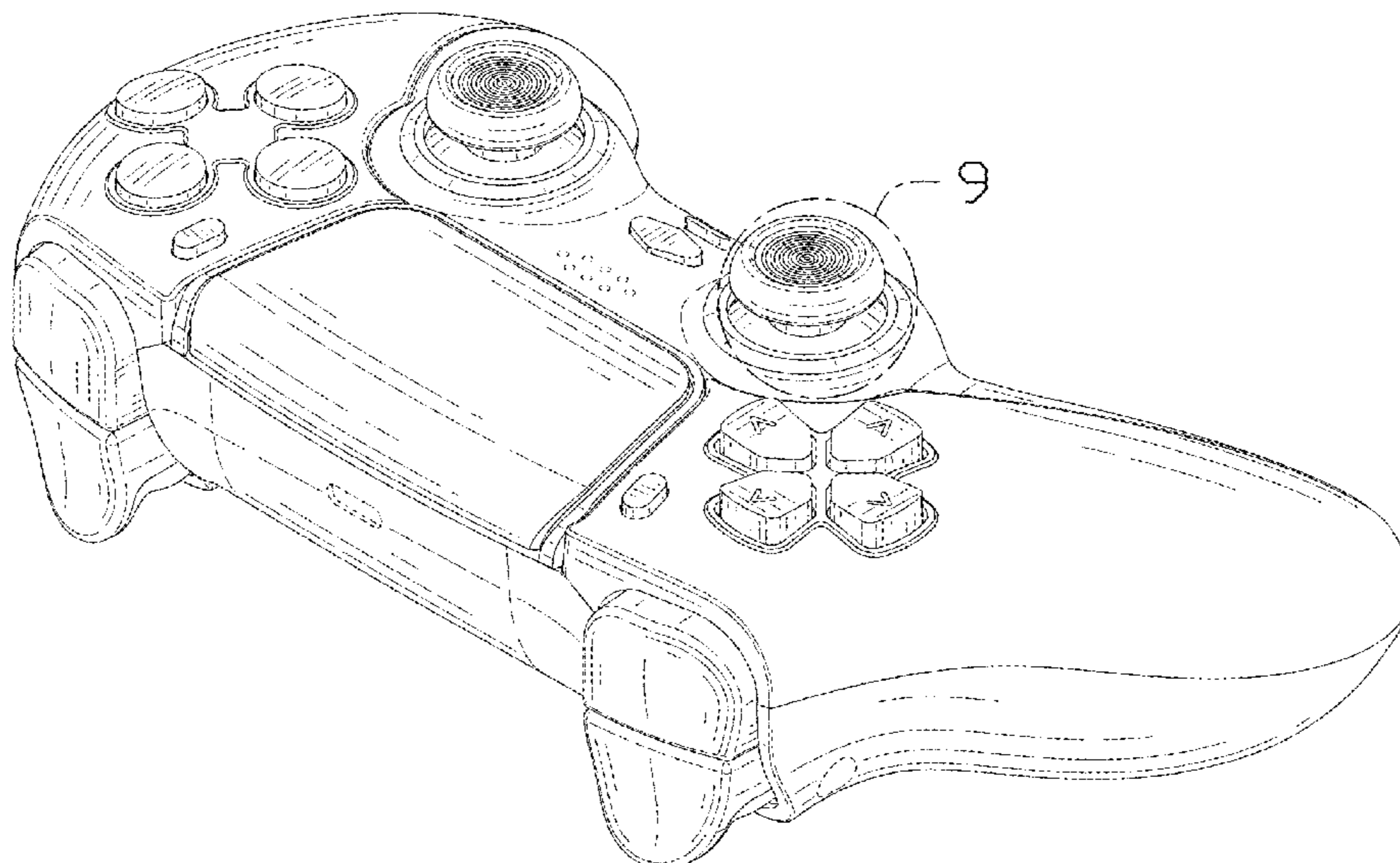
(57) **CLAIM**

The ornamental design for a game controller, as shown and described.

DESCRIPTION

FIG. 1 is a perspective view of a game controller showing my new design;
FIG. 2 is another perspective view thereof;
FIG. 3 is a front elevational view thereof;
FIG. 4 is a rear elevational view thereof;
FIG. 5 is a left side elevational view thereof;
FIG. 6 is a right side elevational view thereof;
FIG. 7 is a top plan view thereof;
FIG. 8 is a bottom plan view thereof; and,
FIG. 9 is an enlarged view of portion 9 shown in FIG. 1.
The even length broken lines in the drawings depict portions of the game controller that form no part of the claimed design. The long-short broken lines represent boundaries of the enlarged portion and form no part of the claimed design.

1 Claim, 9 Drawing Sheets



(56)

References Cited

U.S. PATENT DOCUMENTS

D940,244	S	*	1/2022	Zhou	D21/333
D947,947	S	*	4/2022	Luo	D21/333
D947,948	S	*	4/2022	Ma	D21/333
D953,433	S	*	5/2022	Zhu	D21/333
D954,838	S	*	6/2022	Kobayashi	D21/333
D956,873	S	*	7/2022	Guo	D21/333
D958,252	S	*	7/2022	Wang	D21/333
D958,889	S	*	7/2022	Luo	D21/333
D958,890	S	*	7/2022	Zhu	D21/333
D958,891	S	*	7/2022	Kobayashi	D21/333
D958,892	S	*	7/2022	Kobayashi	D21/333
D958,893	S	*	7/2022	Zhu	D21/333
D959,558	S	*	8/2022	Xiao	D14/401
D959,560	S	*	8/2022	Tang	D21/333
2021/0060418	A1	*	3/2021	Kawashima	G06F 3/016
2021/0299552	A1	*	9/2021	Morita	H04R 1/08
2021/0299554	A1	*	9/2021	Kobayashi	G06F 3/016
2021/0379488	A1	*	12/2021	Falc	A63F 13/24
2022/0016520	A1	*	1/2022	Morita	H04R 3/005

* cited by examiner

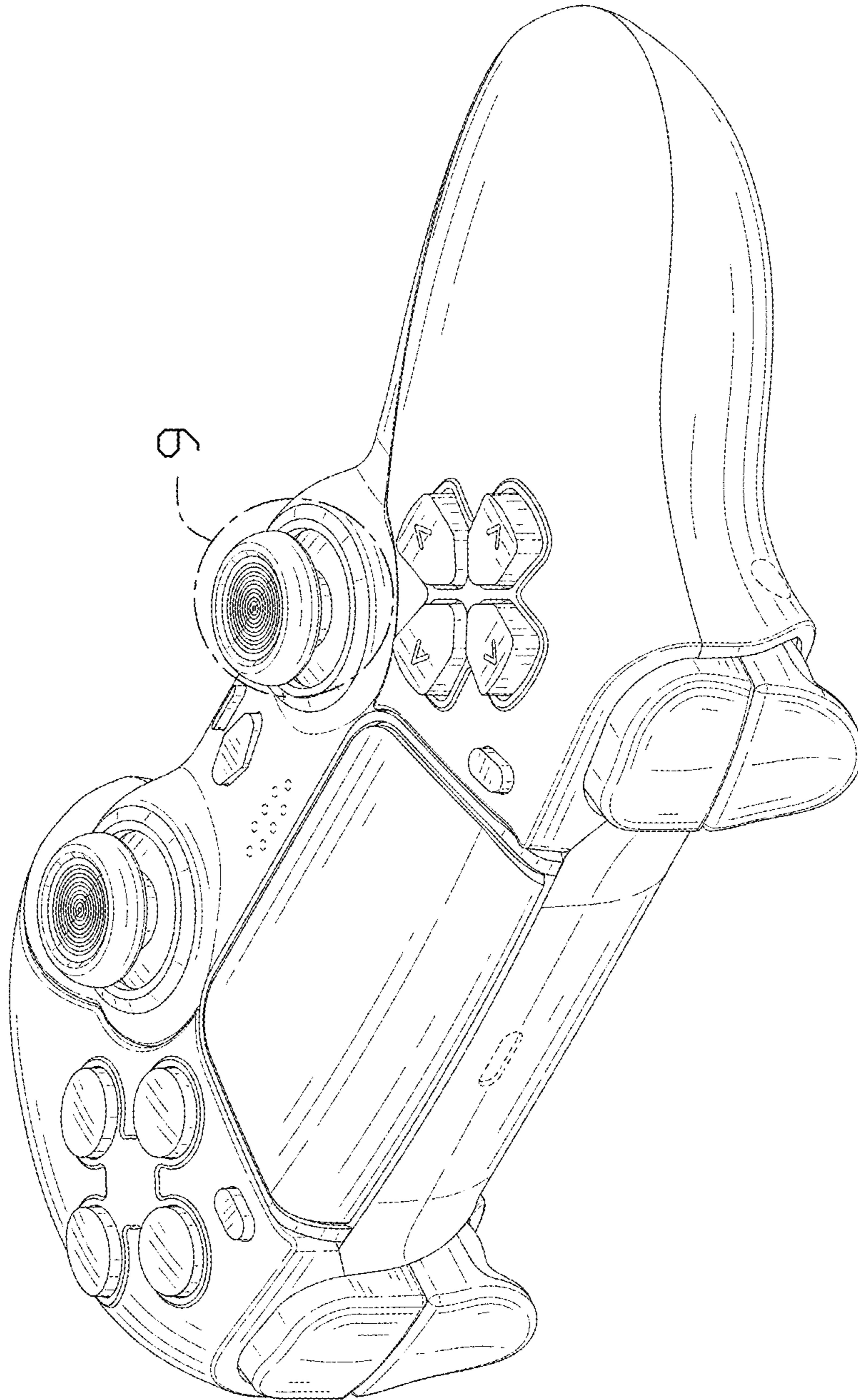


FIG. 1

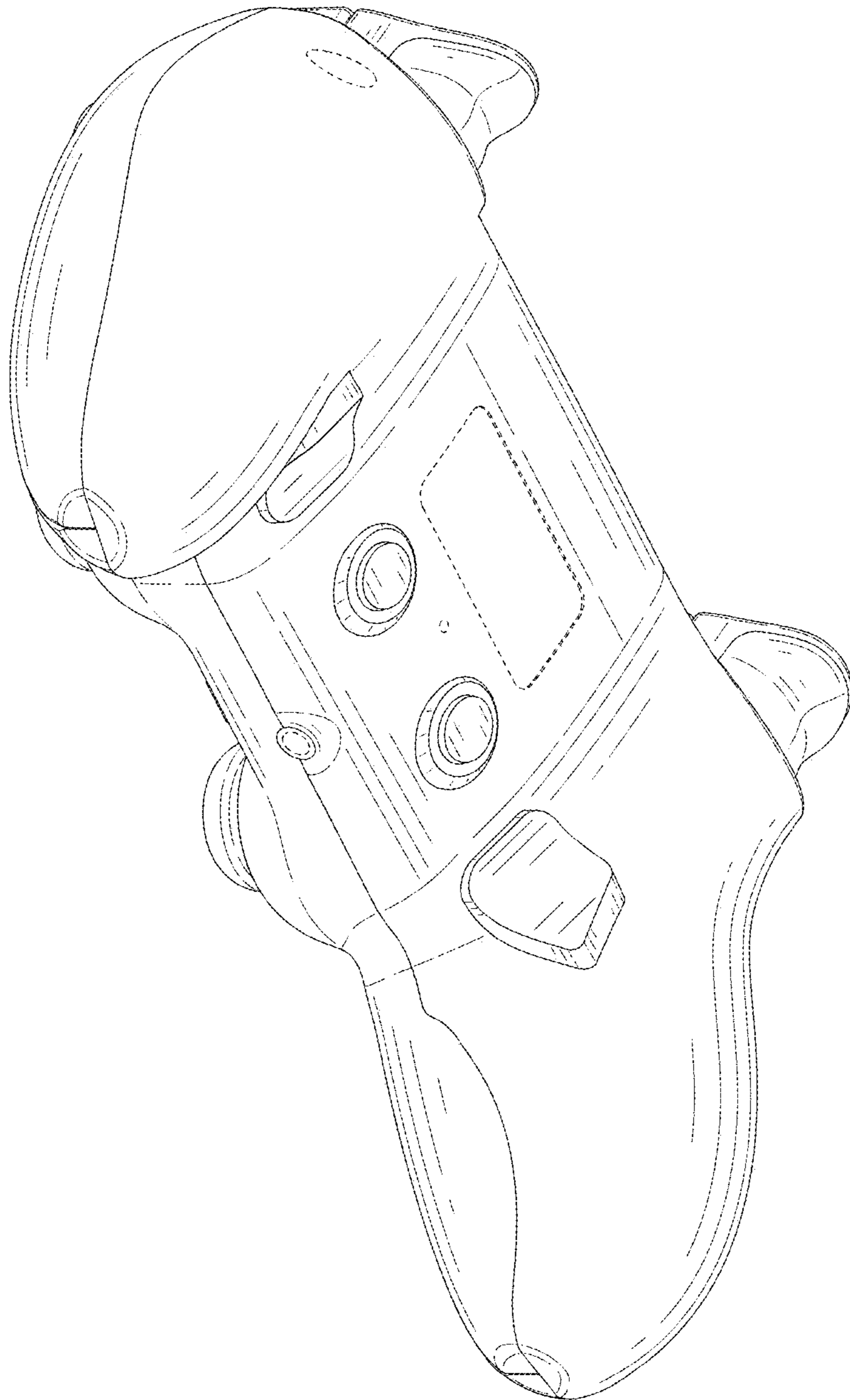


FIG. 2

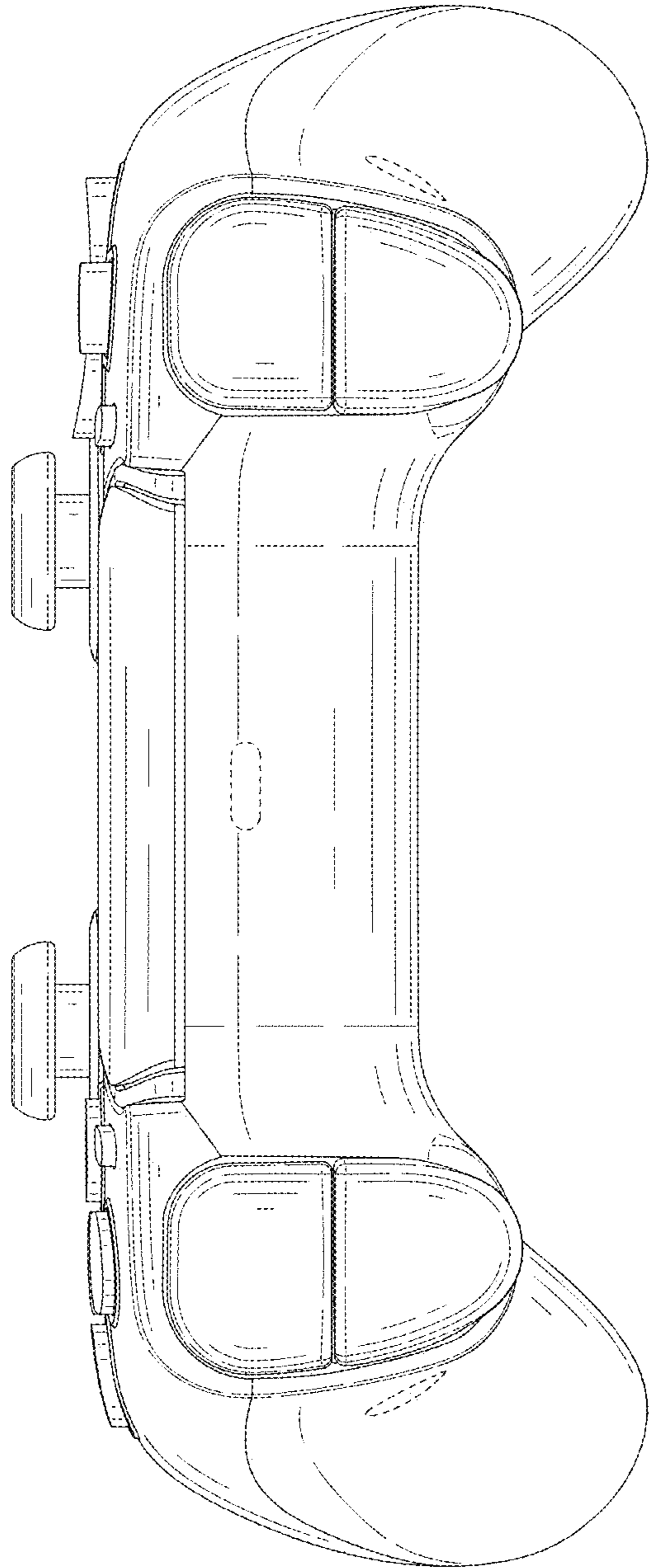


FIG. 3

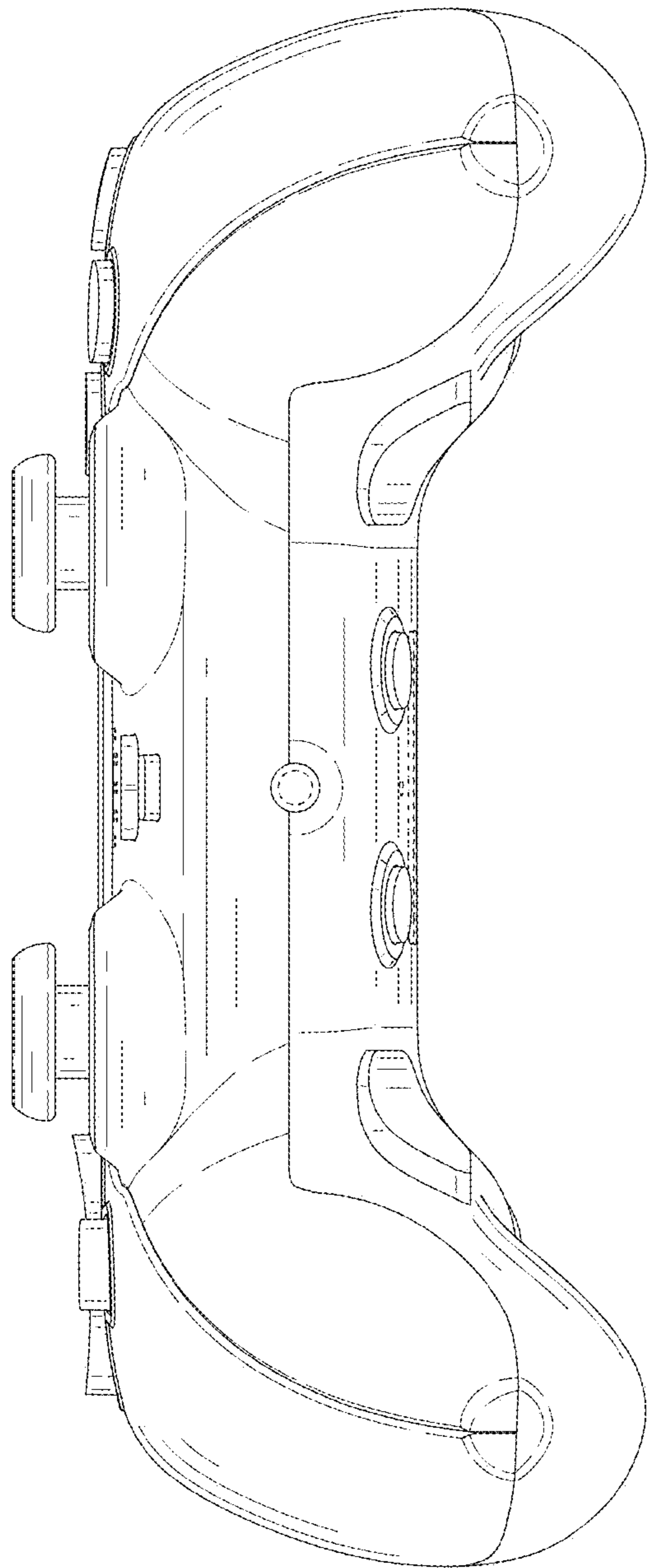


FIG. 4

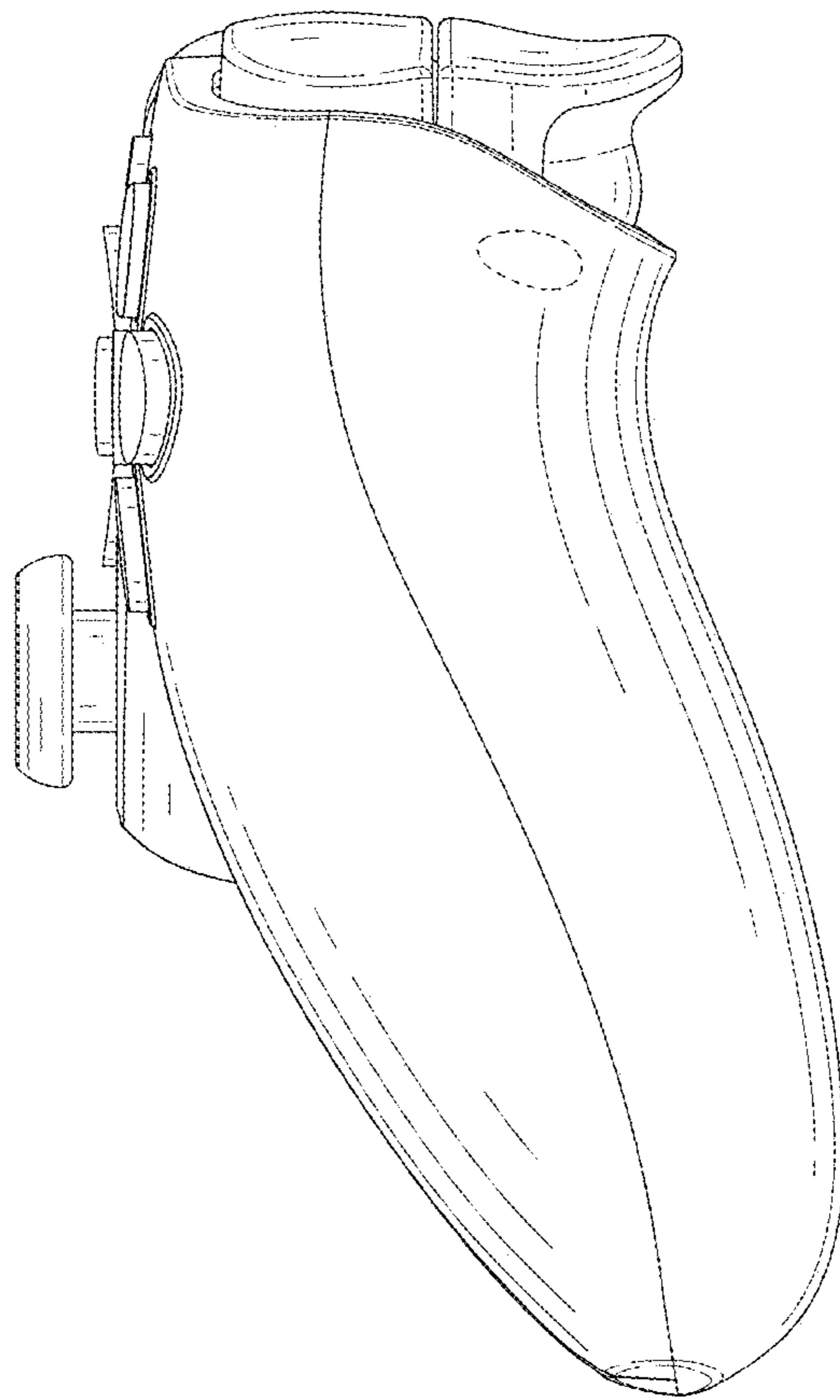


FIG. 5

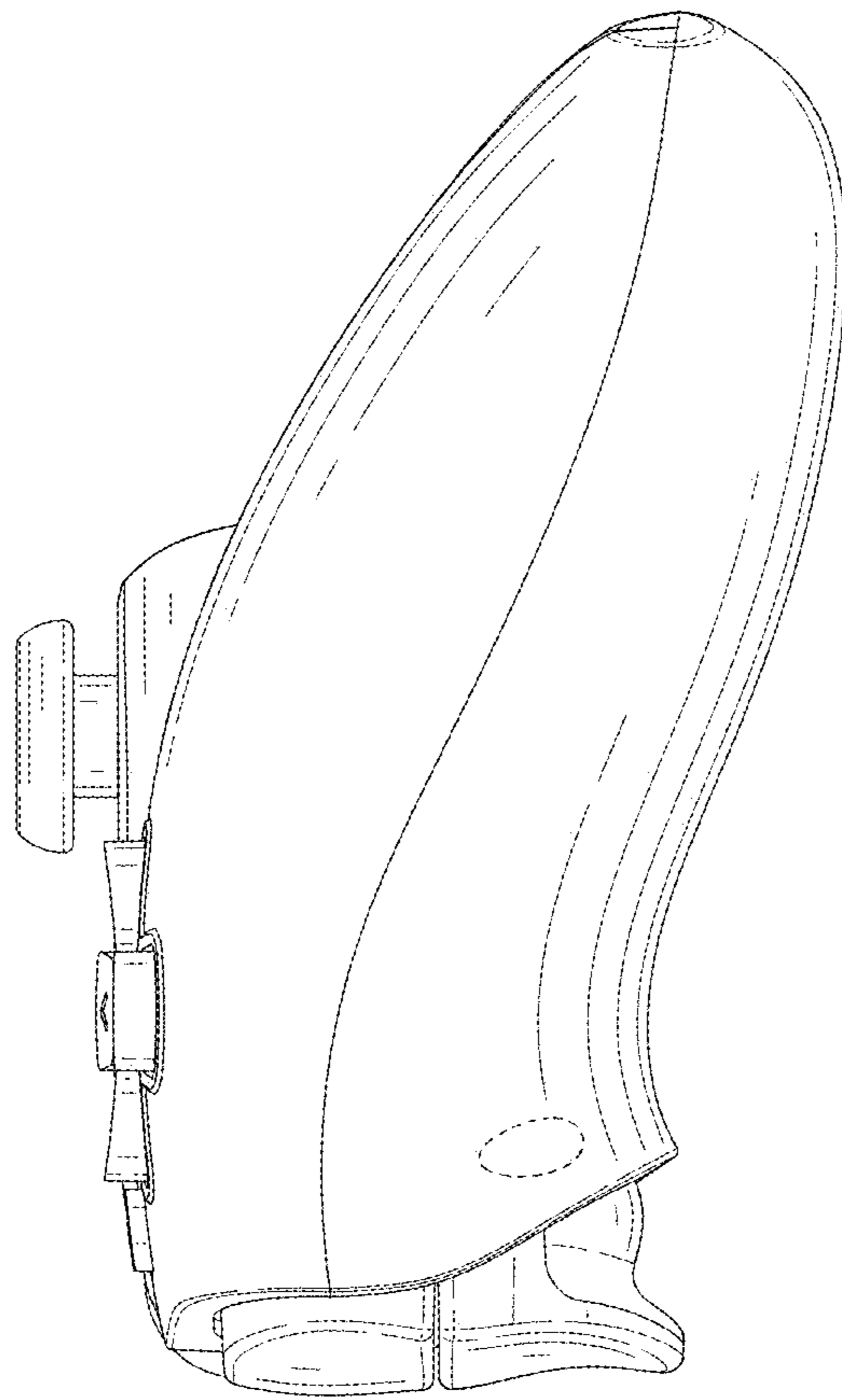


FIG. 6

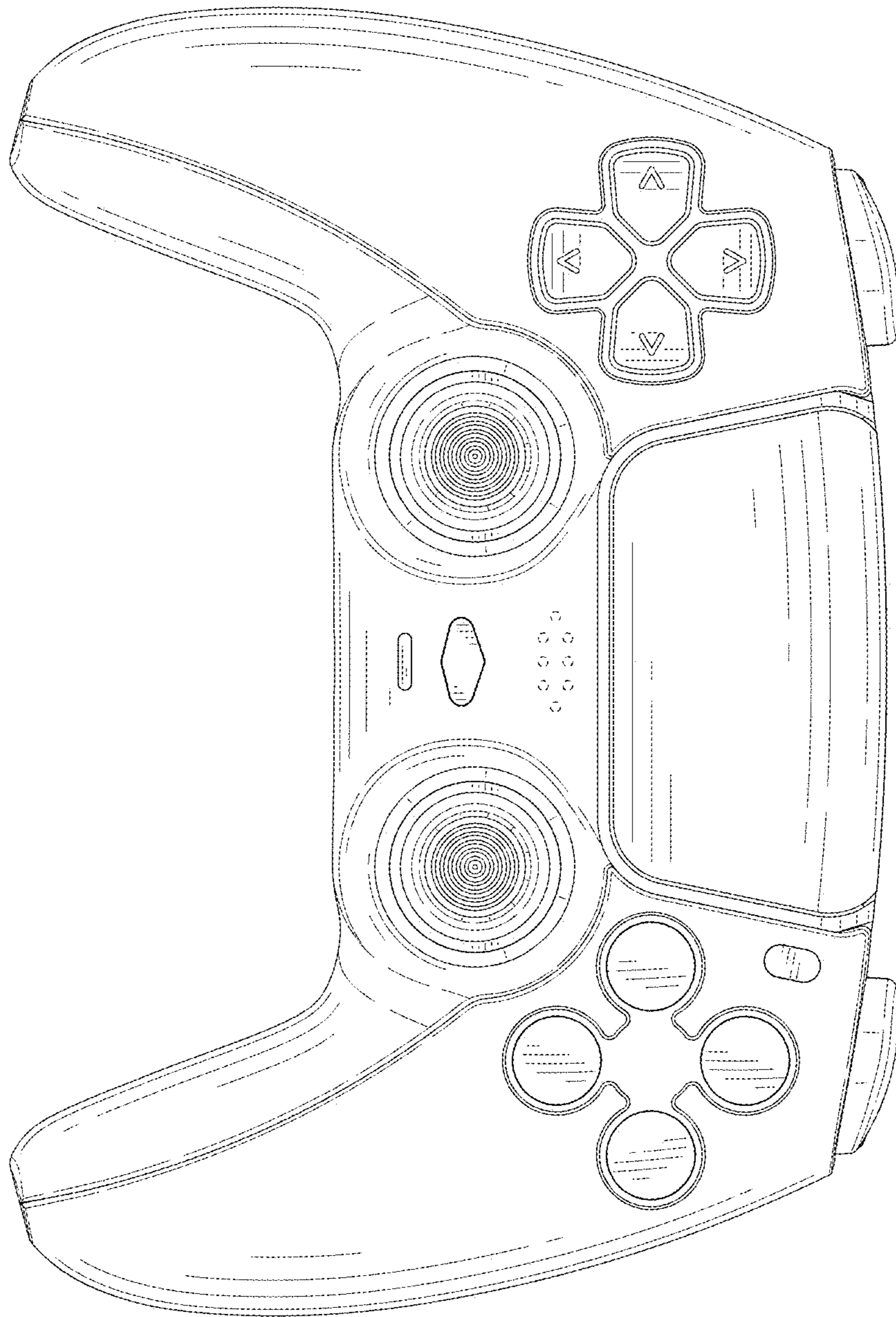


FIG. 7

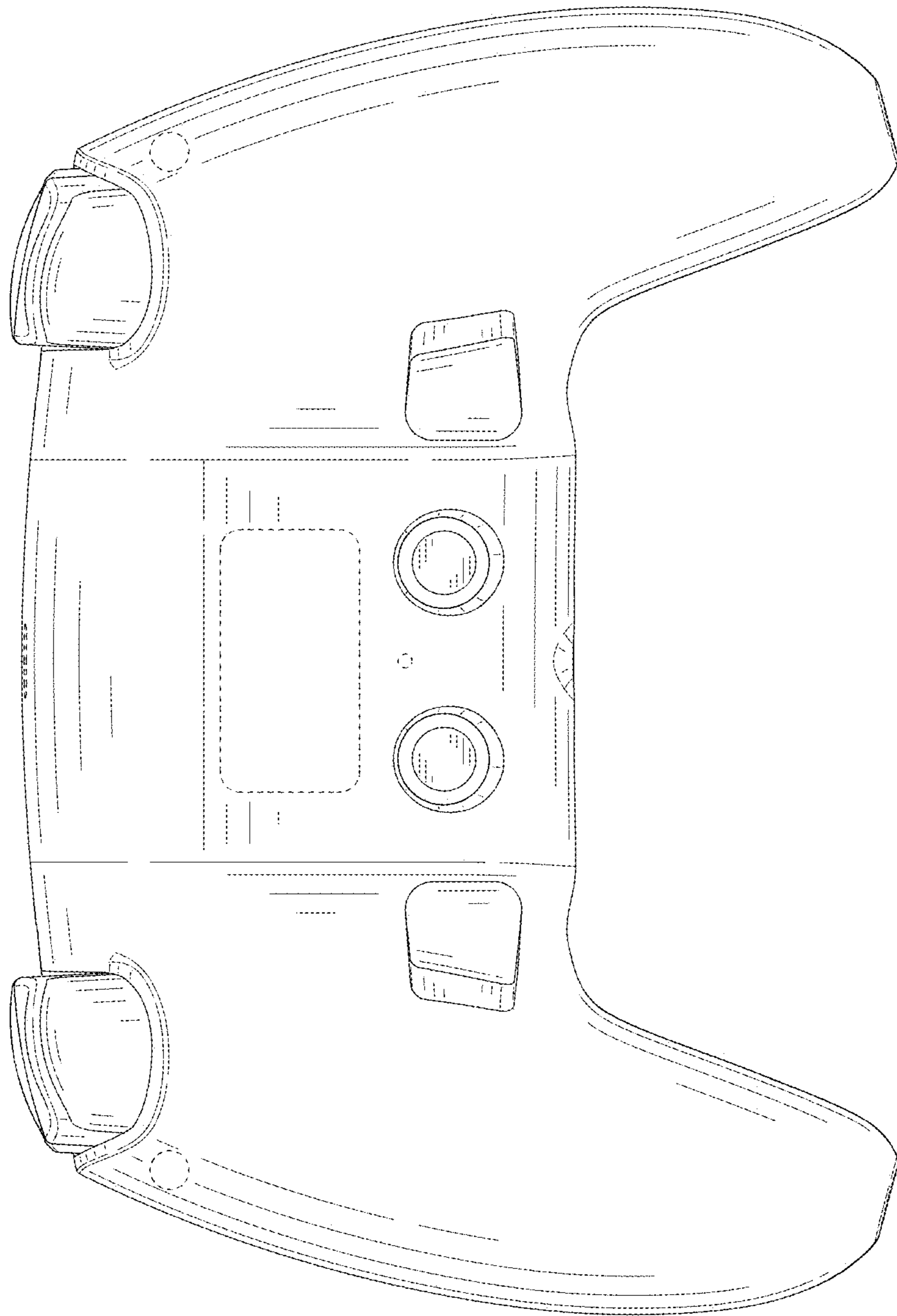


FIG. 8

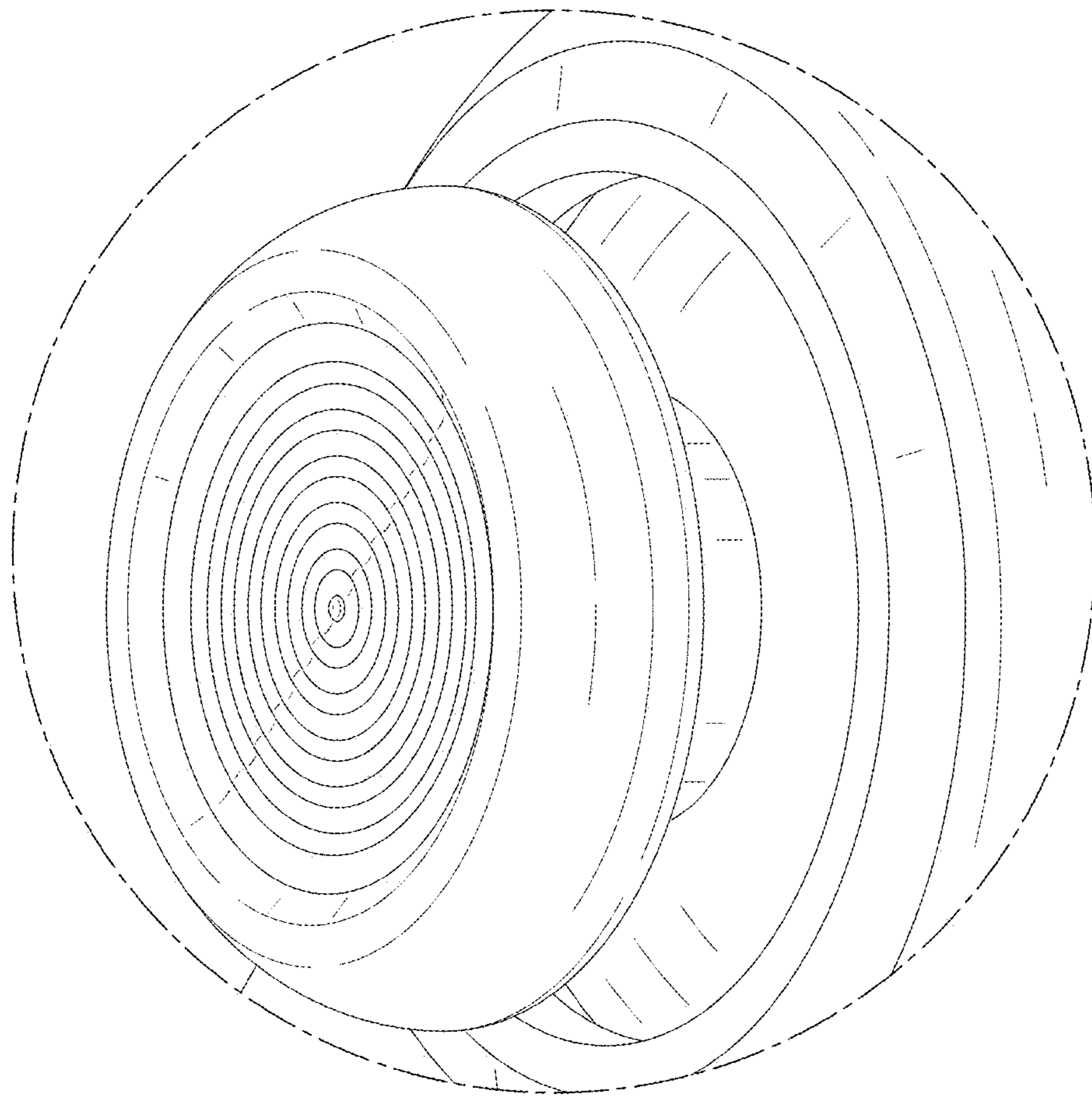


FIG. 9