



US00D974473S

(12) **United States Design Patent**
Feng

(10) **Patent No.:** **US D974,473 S**
(45) **Date of Patent:** **** Jan. 3, 2023**

- (54) **GAME CONTROLLER**
- (71) Applicant: **Qisheng Feng**, Gaozhou (CN)
- (72) Inventor: **Qisheng Feng**, Gaozhou (CN)
- (**) Term: **15 Years**
- (21) Appl. No.: **29/777,699**
- (22) Filed: **Apr. 8, 2021**
- (51) **LOC (14) Cl.** **21-01**
- (52) **U.S. Cl.**
USPC **D21/333**
- (58) **Field of Classification Search**
USPC D21/324-329, 330, 331, 333, 341, 342,
D21/349, 386; D14/137, 138, 160, 168,
D14/174, 177, 190, 217, 218, 250, 299,
D14/322, 341, 345, 346, 353, 354, 356,
D14/387, 388, 389, 399-401, 412-416,
D14/421, 432, 440, 443, 449, 450, 454,
D14/463, 471, 474, 483, 493, 496, 511;
D22/100, 103-105; D13/162, 162.1, 164,
D13/168; D10/78, 98, 103; D12/174,
D12/177, 190, 218; D18/10
CPC A63F 13/00; A63F 13/10; A63F 13/02;
A63F 13/04; A63F 13/06; A63F 13/22;
A63F 13/24; A63F 13/40; A63F 13/98
See application file for complete search history.

| | | | |
|--------------|---------|----------------|---------|
| D882,691 S * | 4/2020 | Tsuchiya | D21/333 |
| D885,387 S * | 5/2020 | Hu | D14/401 |
| D889,549 S | 7/2020 | Ironmonger | |
| D889,550 S | 7/2020 | Ironmonger | |
| D890,263 S * | 7/2020 | Tong | D21/333 |
| D893,629 S | 8/2020 | Wu | |
| D894,281 S * | 8/2020 | Wang | D21/333 |
| D900,935 S | 11/2020 | Lo | |
| D900,936 S | 11/2020 | Santana | |
| D906,430 S * | 12/2020 | Feng | D21/333 |
| D909,483 S * | 2/2021 | Whitaker | D21/333 |
| D909,487 S * | 2/2021 | Whitaker | D21/333 |
| D912,154 S | 3/2021 | Li | |
| D912,734 S * | 3/2021 | Yang | D21/333 |
| D921,115 S * | 6/2021 | Tong | D21/333 |
| D921,116 S * | 6/2021 | Zhou | D21/333 |
| D923,097 S * | 6/2021 | Zhao | D21/333 |
| D923,098 S * | 6/2021 | Zhao | D21/333 |

(Continued)

Primary Examiner — Mehri F Bajoul
(74) *Attorney, Agent, or Firm* — Rumit Ranjit Kanakia

(57) **CLAIM**

The ornamental design for a game controller, as shown and described.

DESCRIPTION

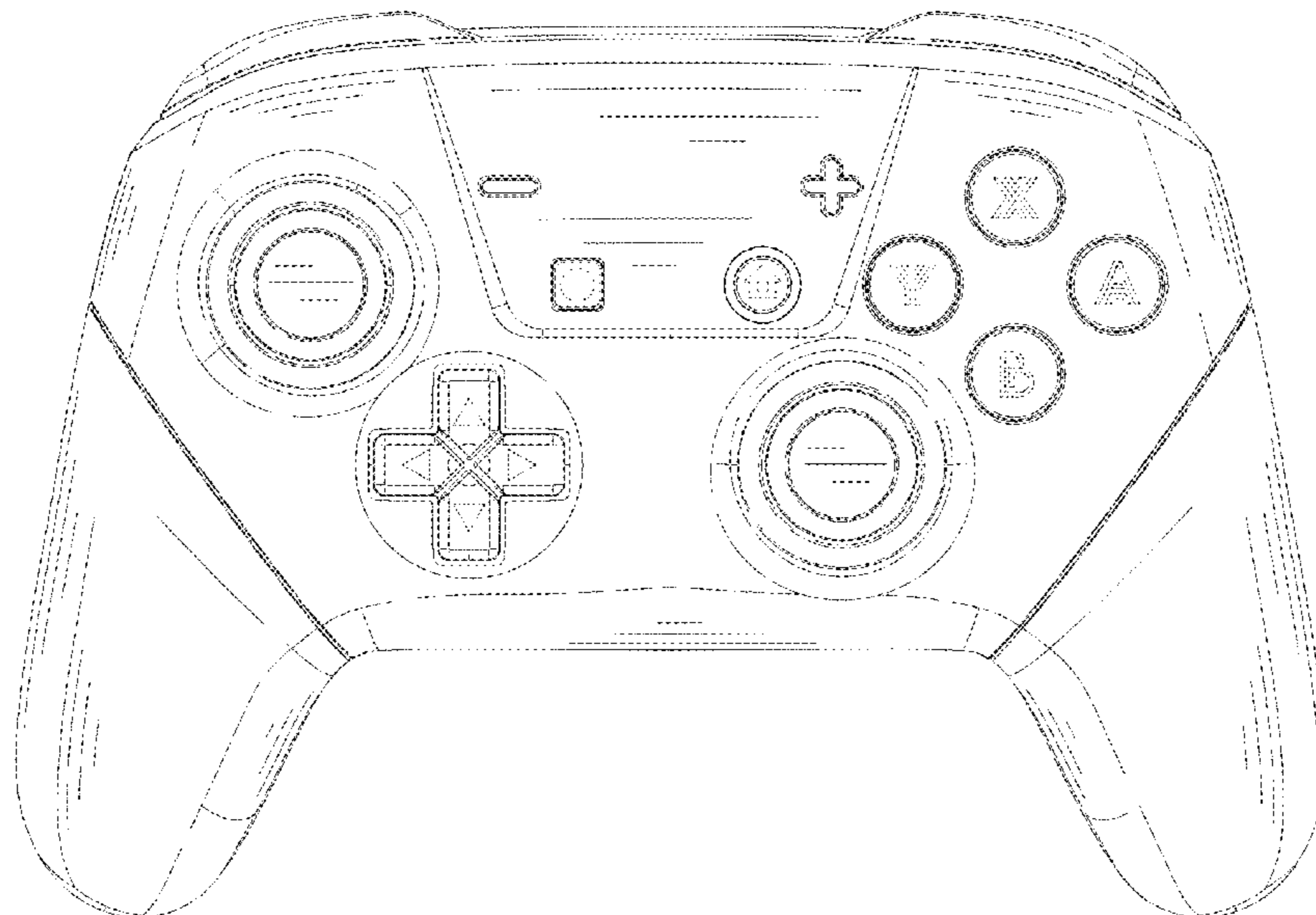
FIG. 1 is a front elevational view of a game controller showing my new design;
 FIG. 2 is a rear elevational view thereof; and
 FIG. 3 is a left elevational view thereof;
 FIG. 4 is a right side view thereof;
 FIG. 5 is a top side view thereof;
 FIG. 6 is a bottom plan view thereof;
 FIG. 7 is a perspective view of a game controller showing my new design; and,
 FIG. 8 is another perspective view thereof.
 The broken lines in the figures are for the purposes of illustrating portions of the game controller, which form no part of the claimed design.

1 Claim, 8 Drawing Sheets

(56) **References Cited**

U.S. PATENT DOCUMENTS

| | | | |
|--------------|---------|----------------|---------|
| D768,786 S * | 10/2016 | Seflic | D21/333 |
| D805,518 S * | 12/2017 | Goldman | D14/401 |
| D806,078 S * | 12/2017 | Goldman | D14/401 |
| D872,184 S | 1/2020 | Chatterjee | |
| D875,179 S | 2/2020 | Wang | |
| D881,281 S * | 4/2020 | Tong | D21/333 |
| D881,282 S | 4/2020 | Ironmonger | |
| D881,283 S | 4/2020 | Ironmonger | |
| D882,690 S * | 4/2020 | Tsuchiya | D21/333 |



(56)

References Cited

U.S. PATENT DOCUMENTS

D923,100 S * 6/2021 Zhou D21/333
D924,978 S * 7/2021 Chatterjee D21/333
2019/0329127 A1* 10/2019 Chou A63F 13/22
2021/0113919 A1* 4/2021 Okamura A63F 13/24

* cited by examiner

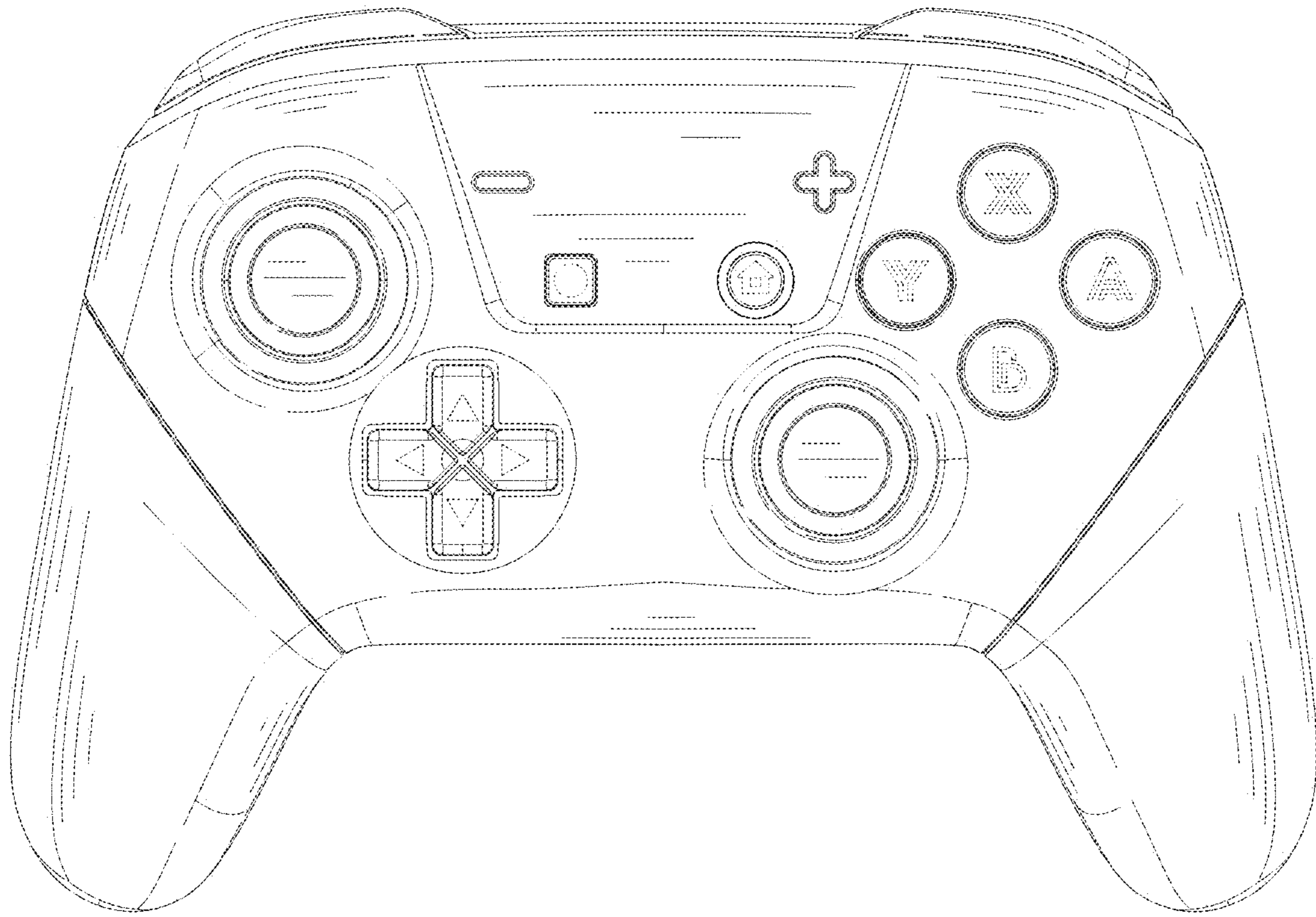


FIG. 1

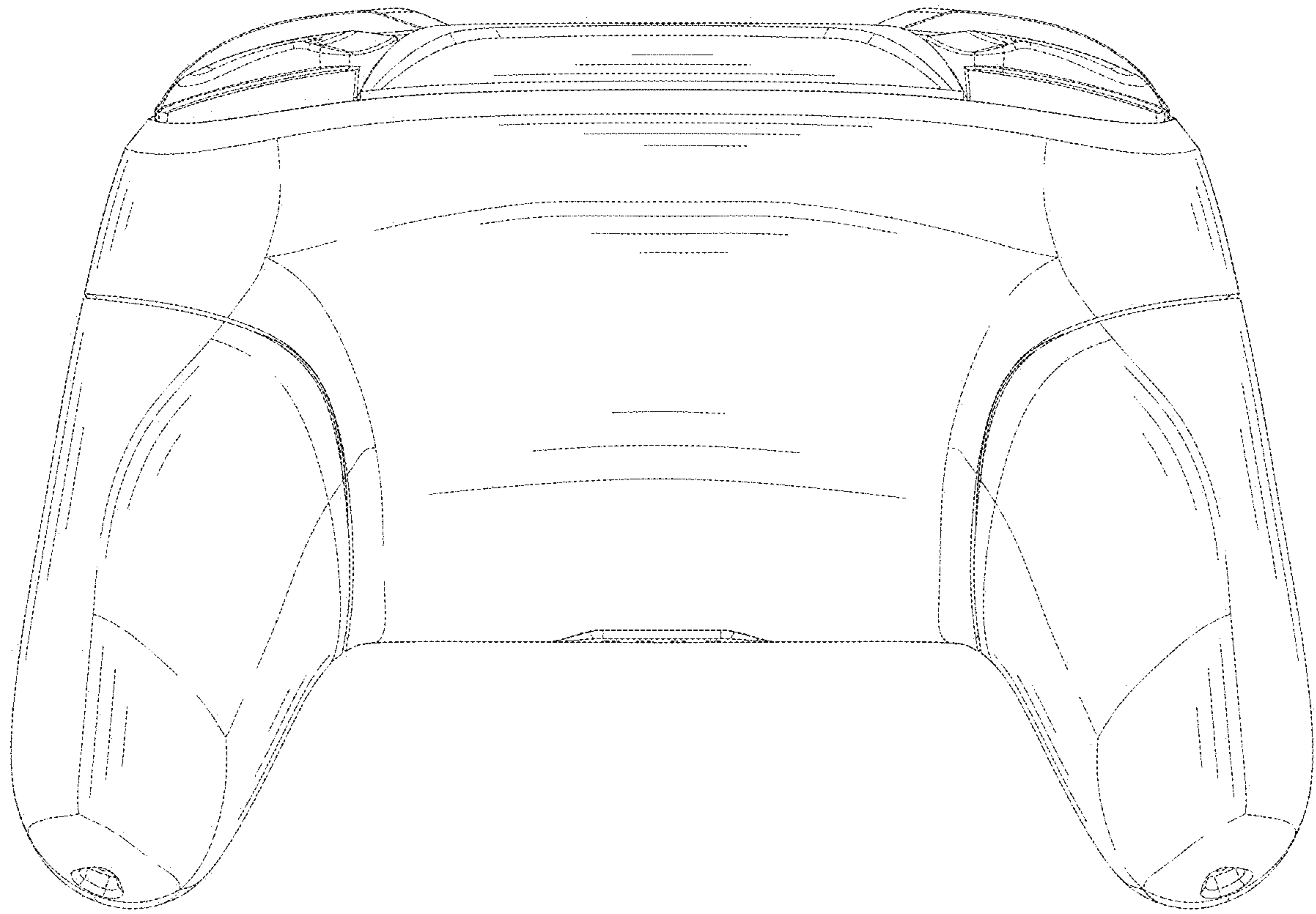


FIG. 2

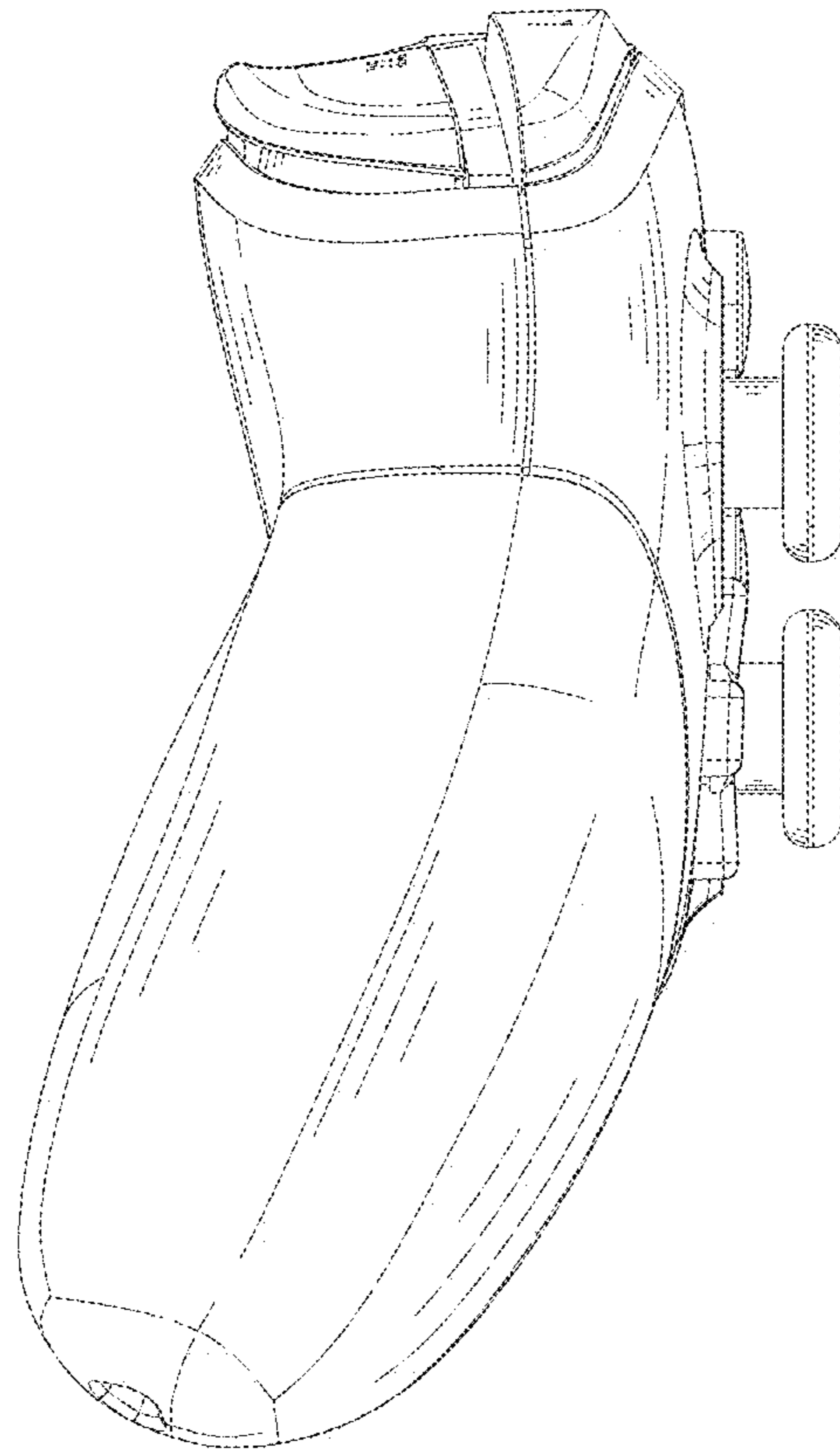


FIG. 3

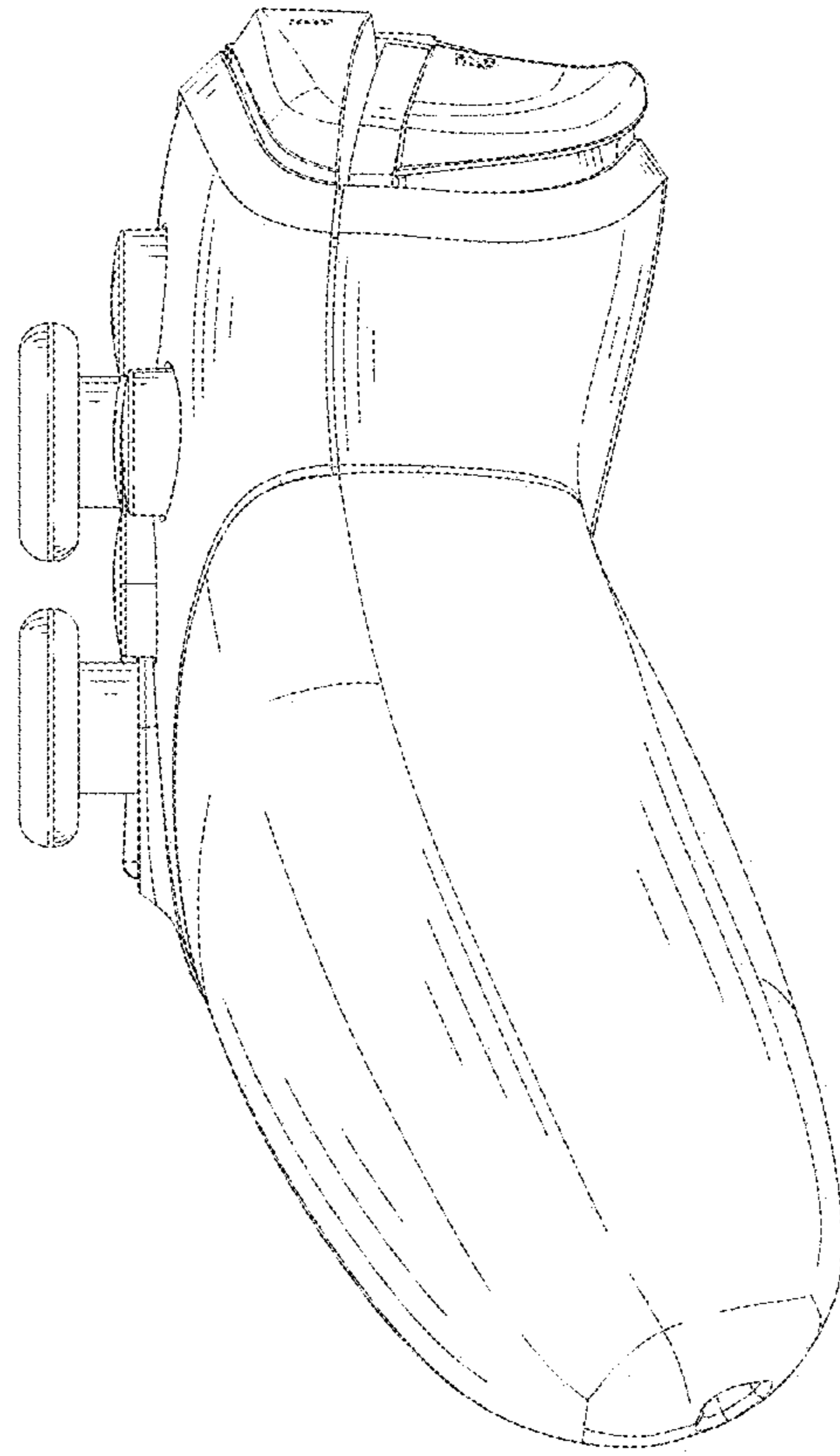


FIG. 4

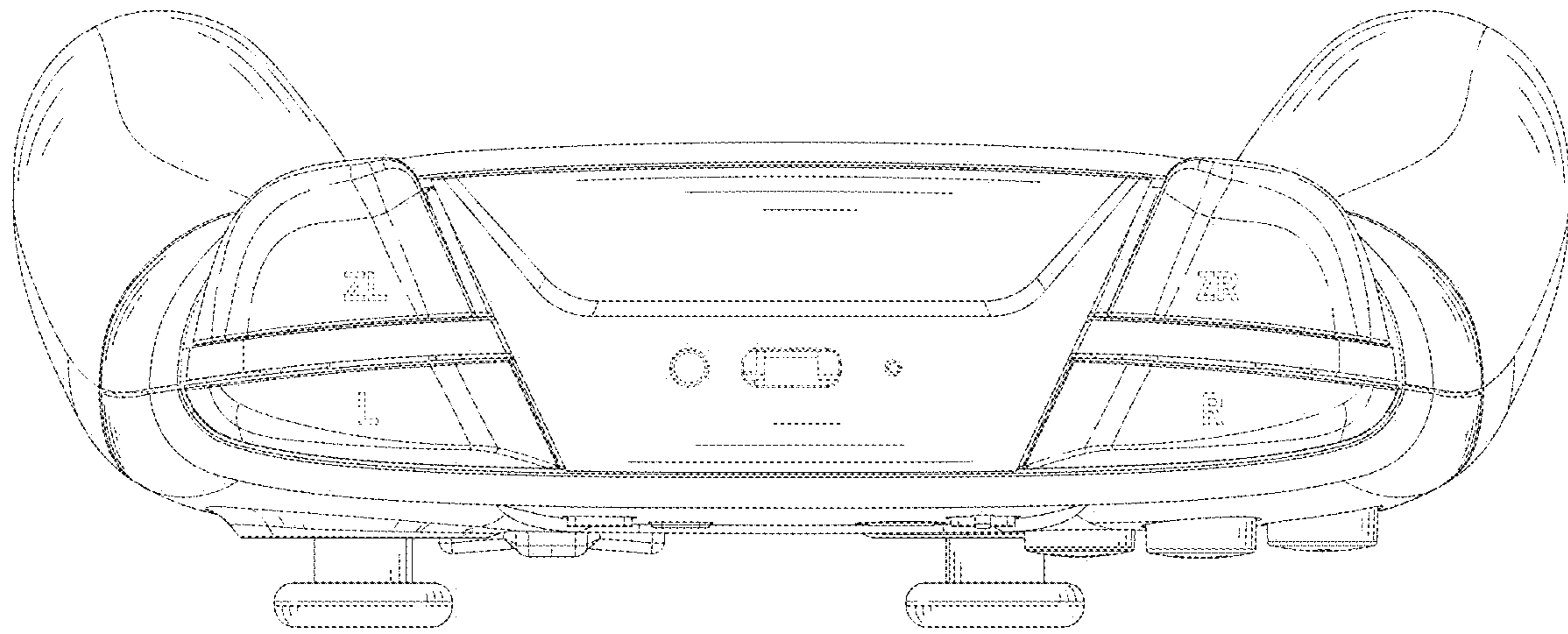


FIG. 5

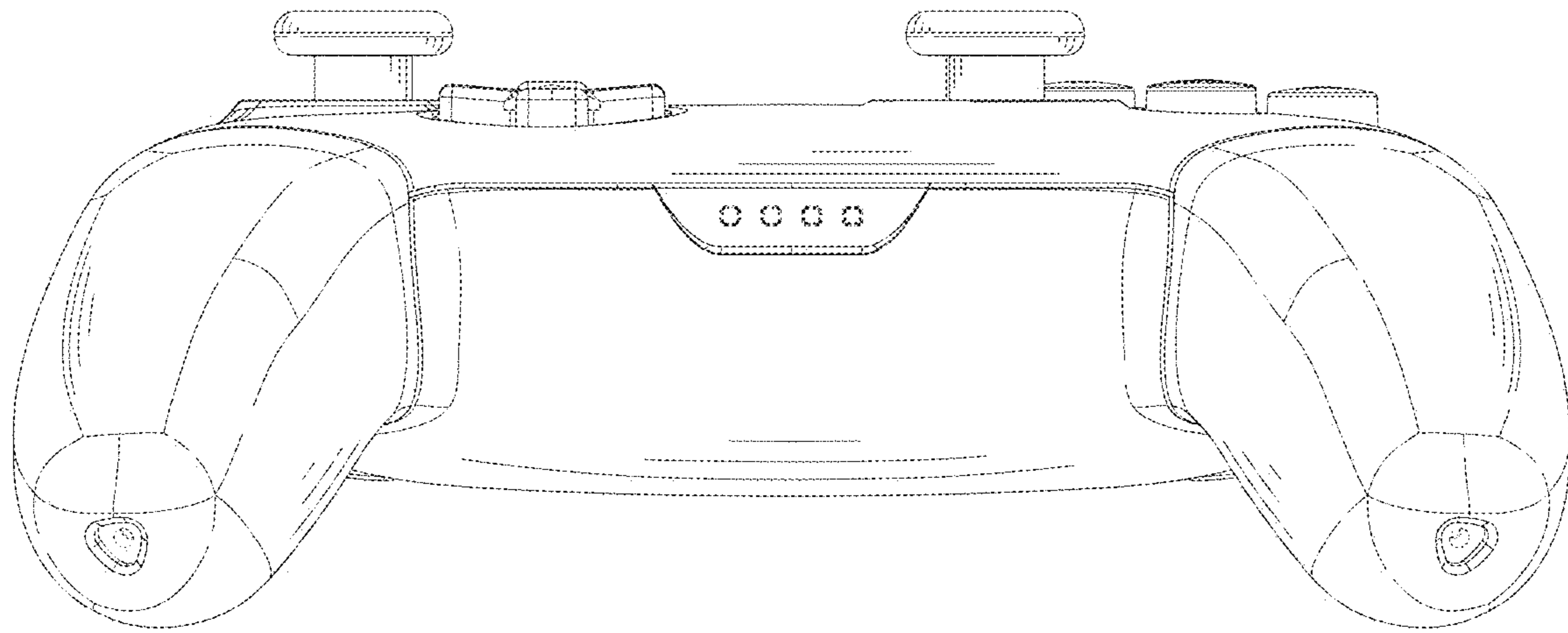


FIG. 6

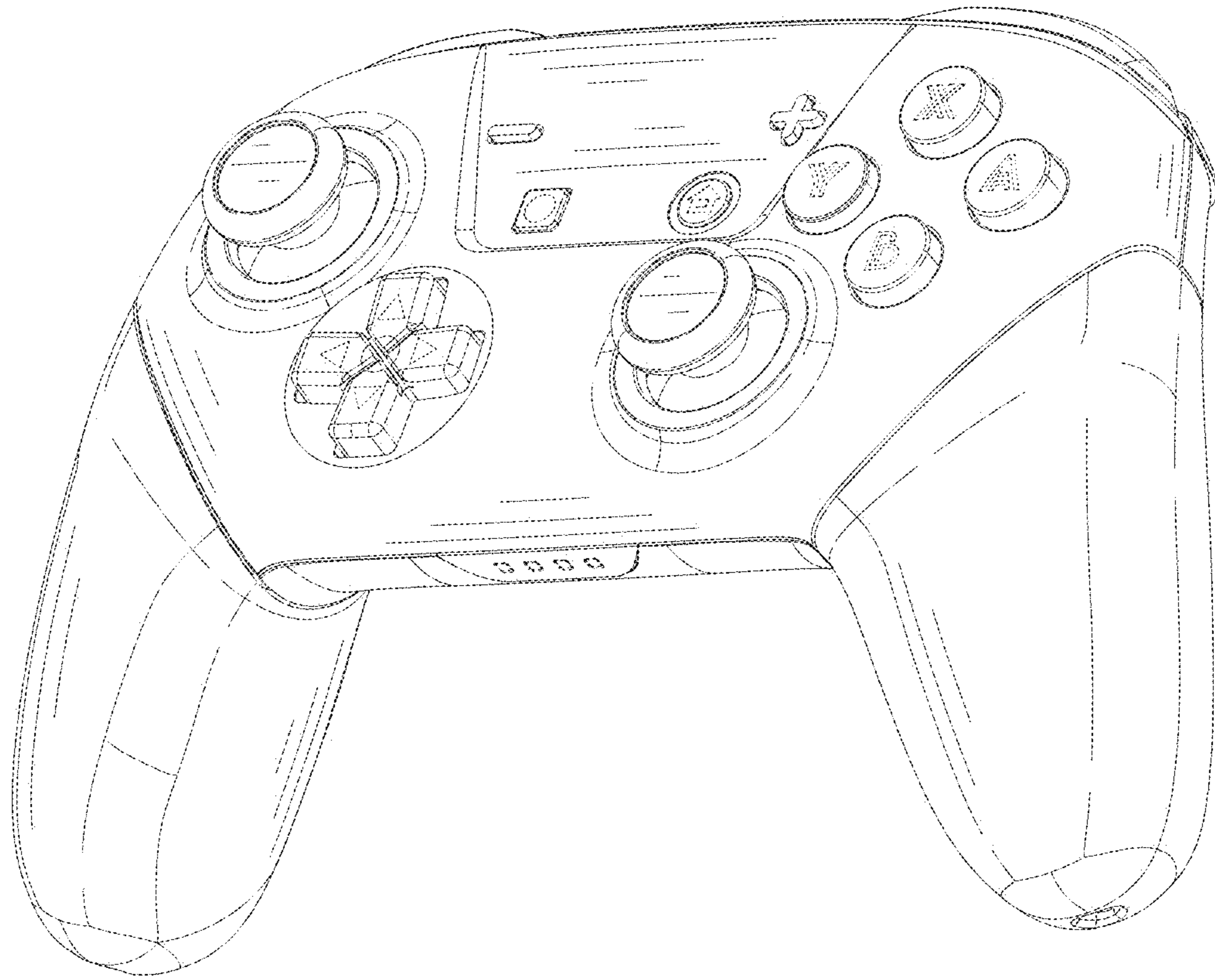


FIG. 7

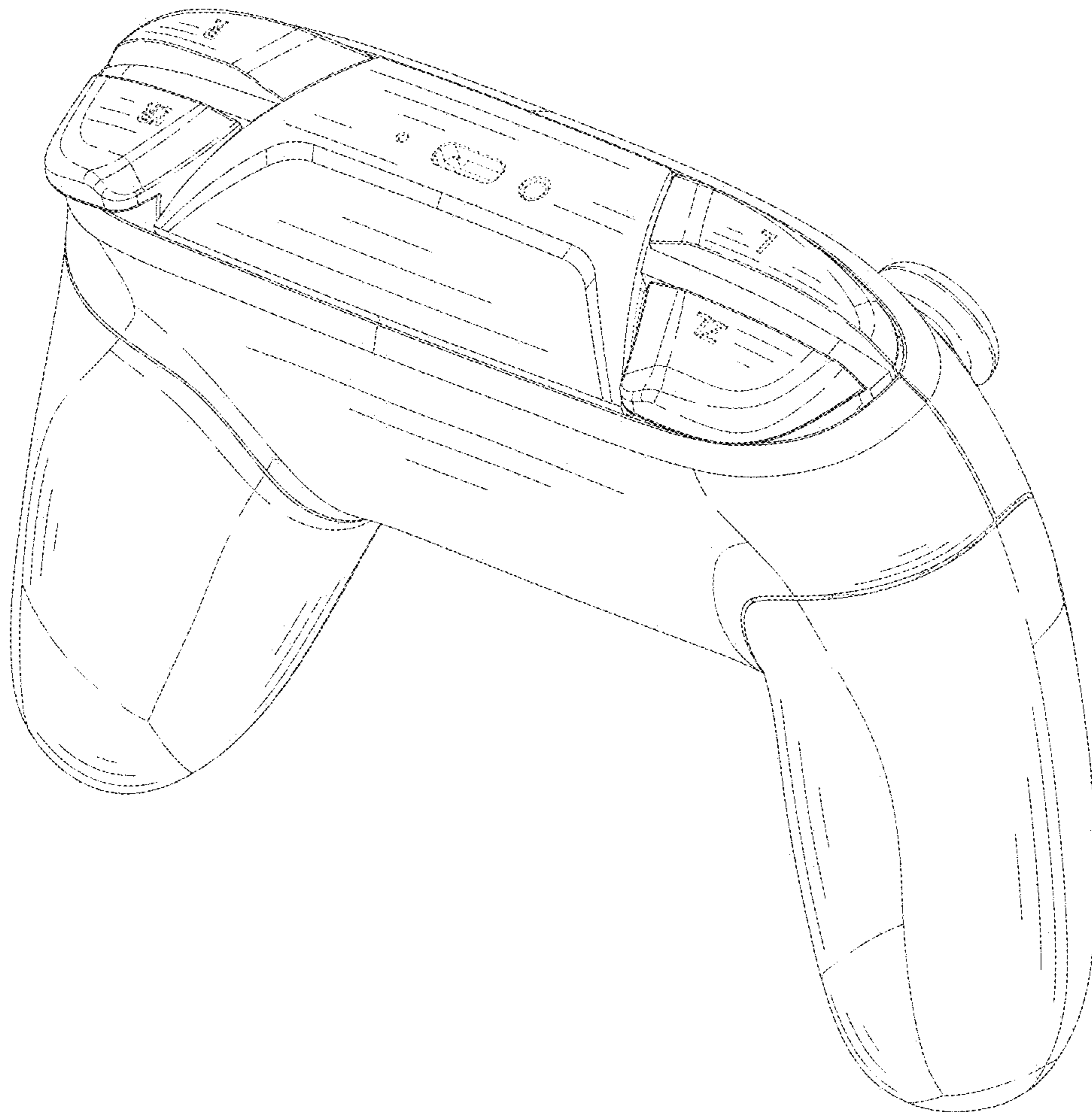


FIG. 8