



US00D974471S

(12) **United States Design Patent**
Stockwell et al.

(10) **Patent No.:** **US D974,471 S**
(45) **Date of Patent:** **** Jan. 3, 2023**

- (54) **SIGN**
- (71) Applicant: **Apple Inc.**, Cupertino, CA (US)
- (72) Inventors: **Julien Phillip Stockwell**, San Francisco, CA (US); **David Kahl Peschel**, San Carlos, CA (US); **Kully Kraig Mandon**, Santa Cruz, CA (US); **Christopher M. Green**, Woodside, CA (US)
- (73) Assignee: **Apple Inc.**, Cupertino, CA (US)
- (**) Term: **15 Years**

- D338,685 S 8/1993 Dakich
 - D339,537 S 9/1993 Willnauer et al.
 - 5,280,229 A 1/1994 Faude et al.
 - D365,105 S 12/1995 Aubuchon
 - D392,474 S 3/1998 Frasketi
 - D392,958 S 3/1998 Gaete
 - D412,125 S * 7/1999 Couch D10/49
 - D414,166 S 9/1999 De Paris
 - D442,939 S 5/2001 Goldenburg
 - D450,707 S 11/2001 Francavilla et al.
 - D483,771 S 12/2003 Esswein
 - D488,440 S 4/2004 Senda
 - D543,209 S 5/2007 Bae
 - D555,655 S 11/2007 Iu
 - D583,821 S 12/2008 Richter
 - D596,618 S 7/2009 Zha
- (Continued)

- (21) Appl. No.: **29/837,850**
- (22) Filed: **May 9, 2022**

Related U.S. Application Data

- (63) Continuation of application No. 29/728,248, filed on Mar. 17, 2020, now Pat. No. Des. 954,148.
- (51) **LOC (14) Cl.** **20-03**
- (52) **U.S. Cl.**
USPC **D20/42**
- (58) **Field of Classification Search**
USPC D14/125, 126, 127, 129, 451; D20/10, D20/12, 13, 16, 17, 18, 19, 20, 35, 40, D20/41, 42, 43, 99; D6/682.2, 682.4, D6/682.6
CPC H04N 5/655; H04N 5/66; H04N 11/00; H04N 7/00; G06F 3/1407; G06F 3/14; G06F 3/1423; G06F 3/147
See application file for complete search history.

(56) **References Cited**

U.S. PATENT DOCUMENTS

- D279,847 S 7/1985 Hanover
- D295,748 S 5/1988 Day
- D318,961 S 8/1991 Edelson

FOREIGN PATENT DOCUMENTS

BR DI6800850-3 8/2008

Primary Examiner — Catherine Ho

(74) *Attorney, Agent, or Firm* — Sterne, Kessler, Goldstein & Fox P.L.L.C.

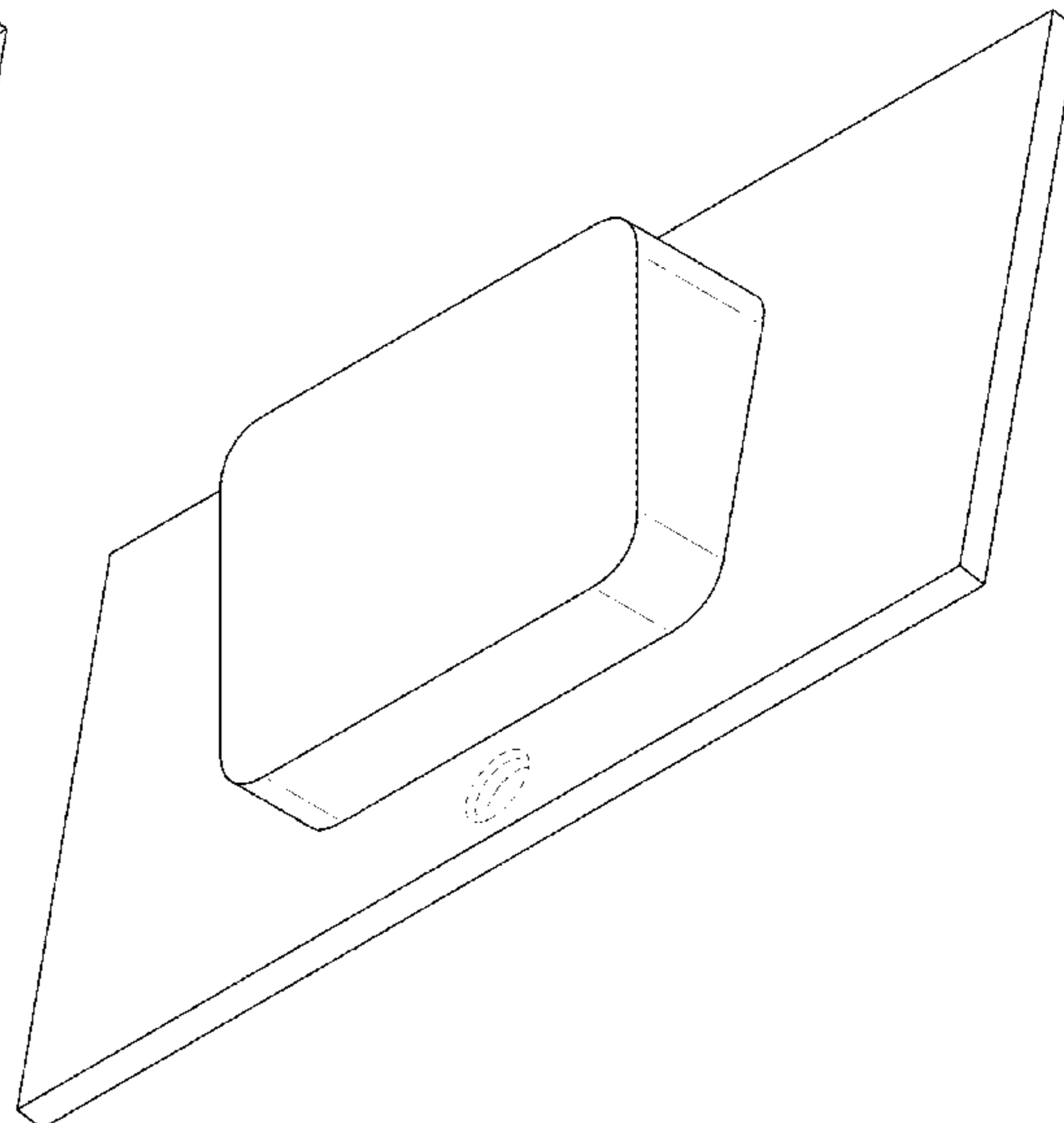
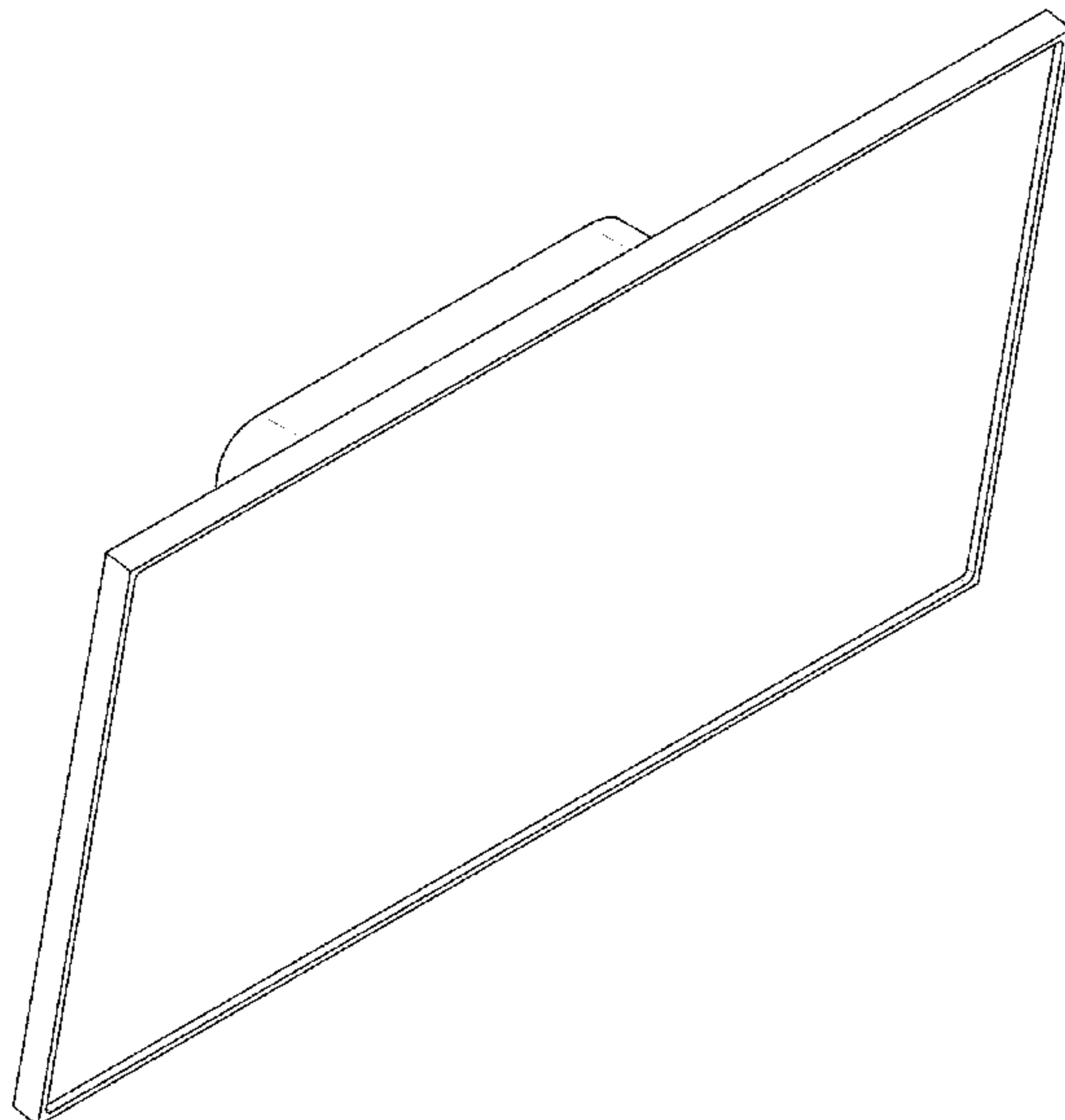
(57) **CLAIM**

The ornamental design for a sign, as shown and described.

DESCRIPTION

FIG. 1 is a top front perspective view of a sign showing the claimed design;
 FIG. 2 is a bottom rear perspective view thereof;
 FIG. 3 is a front view thereof;
 FIG. 4 is a rear view thereof;
 FIG. 5 is a left side view thereof;
 FIG. 6 is a right side view thereof;
 FIG. 7 is a top view thereof; and,
 FIG. 8 is a bottom view thereof.
 The broken lines in the figures show portions of the sign that form no part of the claimed design.

1 Claim, 6 Drawing Sheets



(56)

References Cited

U.S. PATENT DOCUMENTS

D598,024 S	8/2009	Scott	
D598,920 S	8/2009	Fujino et al.	
D599,792 S	9/2009	Lin	
D621,406 S	8/2010	Hoehn et al.	
D623,188 S	9/2010	Son et al.	
D626,129 S	10/2010	Lutz	
D637,601 S	5/2011	Symons	
D639,267 S	6/2011	Delorenzo et al.	
D642,121 S	7/2011	Lee et al.	
D642,172 S	7/2011	Akana et al.	
D651,606 S	1/2012	Luijben	
D661,123 S *	6/2012	Curbbun	D6/675.1
D661,266 S *	6/2012	Laube	D14/126
D661,308 S	6/2012	Capozzoli, II	
D673,571 S	1/2013	Akana et al.	
D673,572 S	1/2013	Akana et al.	
D676,448 S	2/2013	Gorman et al.	
D680,118 S	4/2013	Schmelling	
D687,441 S	8/2013	Janzen	
D688,671 S	8/2013	Avganim	
D690,137 S	9/2013	Kikkert et al.	
D690,138 S	9/2013	Kikkert et al.	
D692,008 S	10/2013	Feldstein et al.	
D692,420 S	10/2013	Mcmanigal et al.	
D692,437 S	10/2013	Sugino et al.	
D696,258 S	12/2013	Padilla	
D697,910 S *	1/2014	Bianco	D14/371
D701,213 S	3/2014	Pajic	
D708,270 S	7/2014	Heirakuji et al.	
D710,715 S *	8/2014	Bianco	D10/41
D720,358 S	12/2014	Ginsterblum	
D721,710 S	1/2015	Messing	
D722,061 S	2/2015	Byrne et al.	
D723,572 S	3/2015	Akana et al.	
D724,597 S	3/2015	Akana et al.	
D737,816 S *	9/2015	Loor Canizares	D14/341
D737,829 S	9/2015	Lee	
D747,322 S	1/2016	Li	
D752,596 S	3/2016	Choi et al.	
D762,648 S	8/2016	Akana et al.	
D762,649 S	8/2016	Akana et al.	
D779,483 S *	2/2017	Wall	D14/341
D780,766 S	3/2017	Akana et al.	
D784,270 S *	4/2017	Bhattacharya	D13/163
D784,351 S	4/2017	Akana et al.	
D800,735 S	10/2017	Akana et al.	
D805,491 S *	12/2017	Lim	D14/126
D830,868 S *	10/2018	Kress	D10/49
D834,573 S *	11/2018	Pell	D14/336
D843,857 S *	3/2019	Avranches	D10/49
D849,622 S *	5/2019	Woodhouse	D12/192
D850,440 S *	6/2019	Gentle	D14/336
D886,110 S	6/2020	Akana et al.	
D891,428 S *	7/2020	Taylor	D14/371
D899,389 S *	10/2020	Park	D14/126
D911,300 S *	2/2021	Park	D14/126
D912,064 S *	3/2021	DeFazio	D14/447
D917,462 S *	4/2021	Widiaman	D14/341
D927,439 S *	8/2021	McConnell	D14/126
D929,398 S *	8/2021	Lin	D14/240
D933,067 S *	10/2021	Parfitt	D14/371
D938,431 S *	12/2021	Han	D14/440
D948,618 S *	4/2022	Ustach	D20/10
D951,939 S *	5/2022	Cepress	D14/371
D954,148 S *	6/2022	Stockwell	D20/10

* cited by examiner

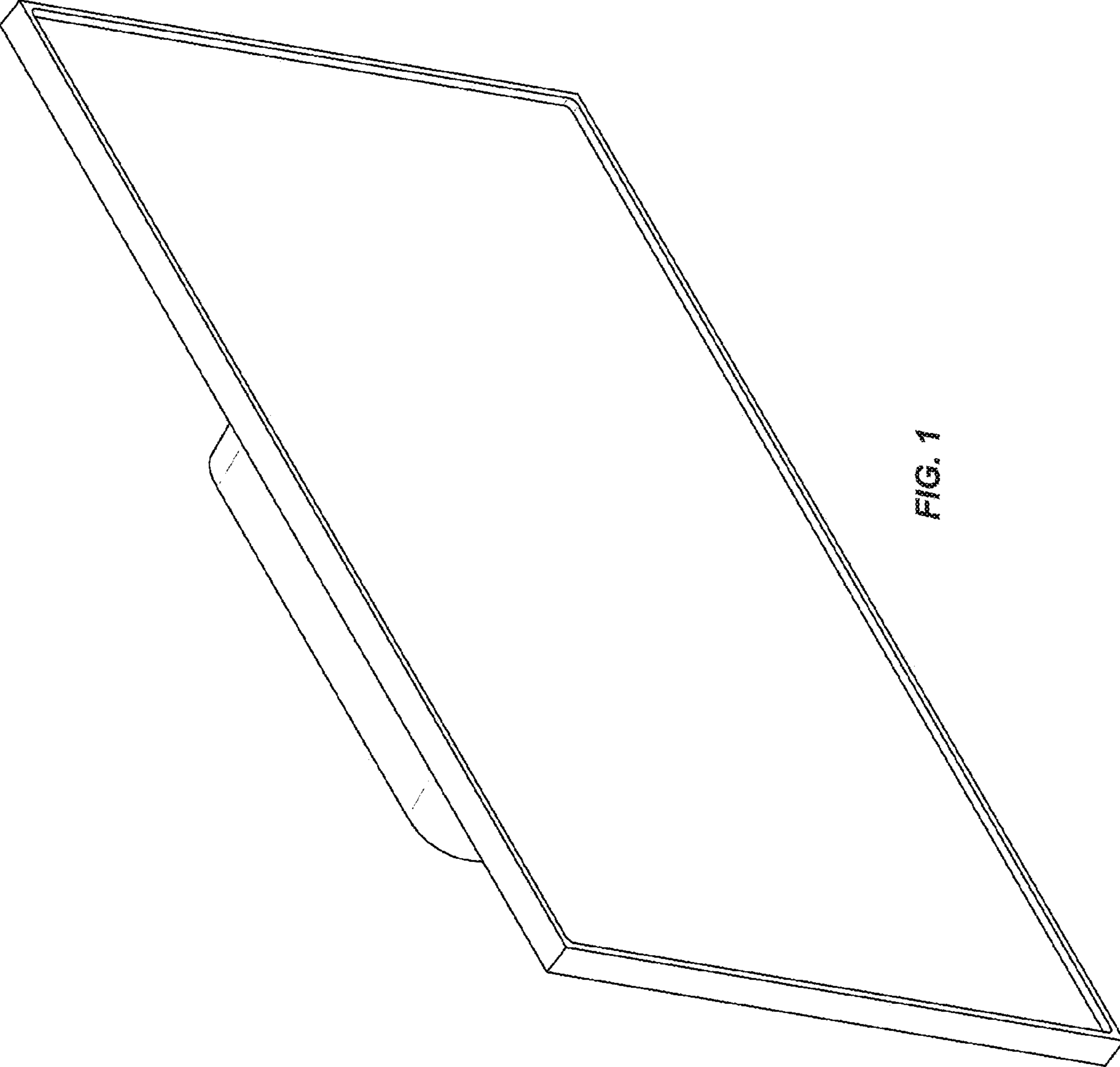


FIG. 1

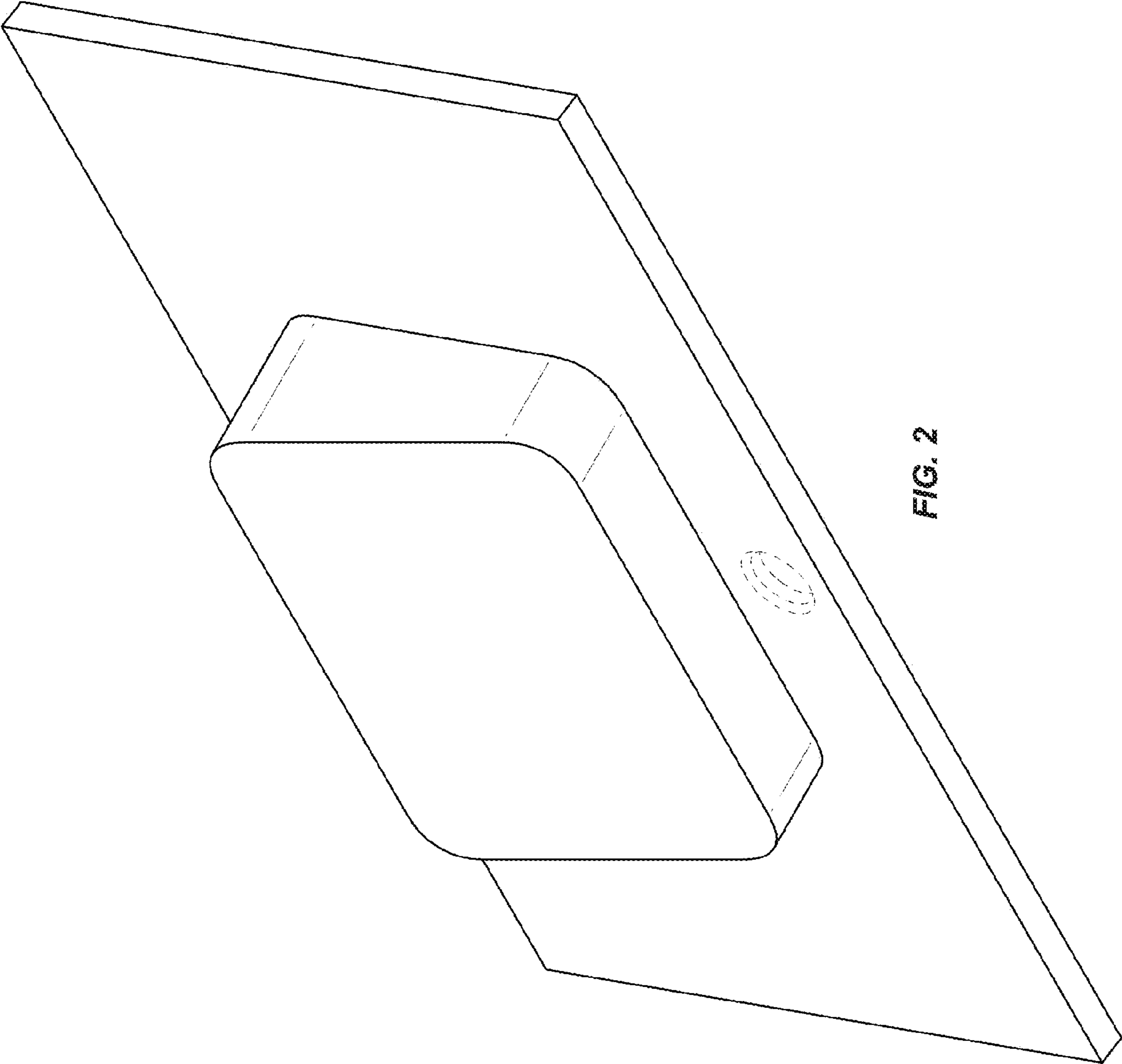


FIG. 2

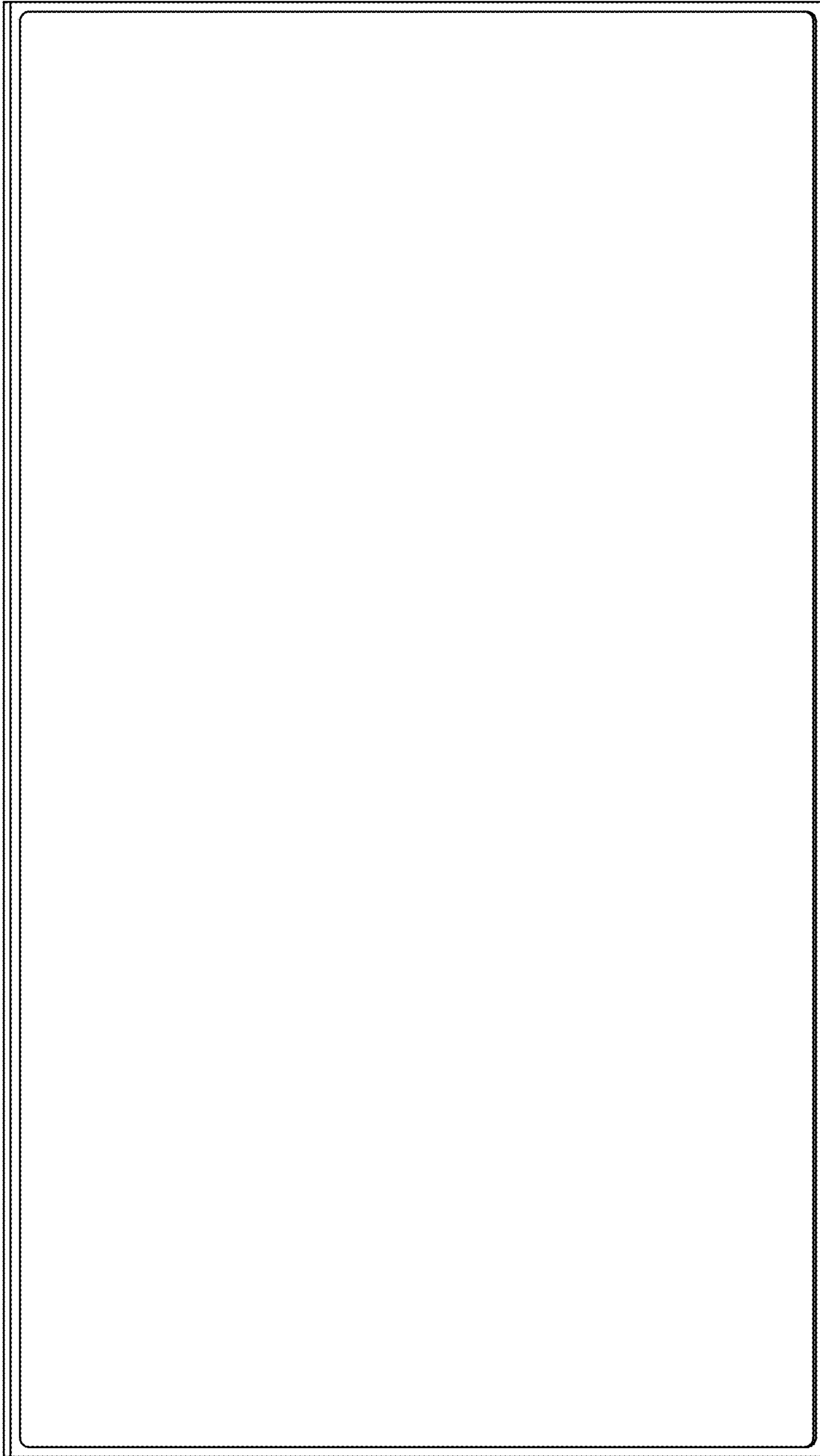


FIG. 3

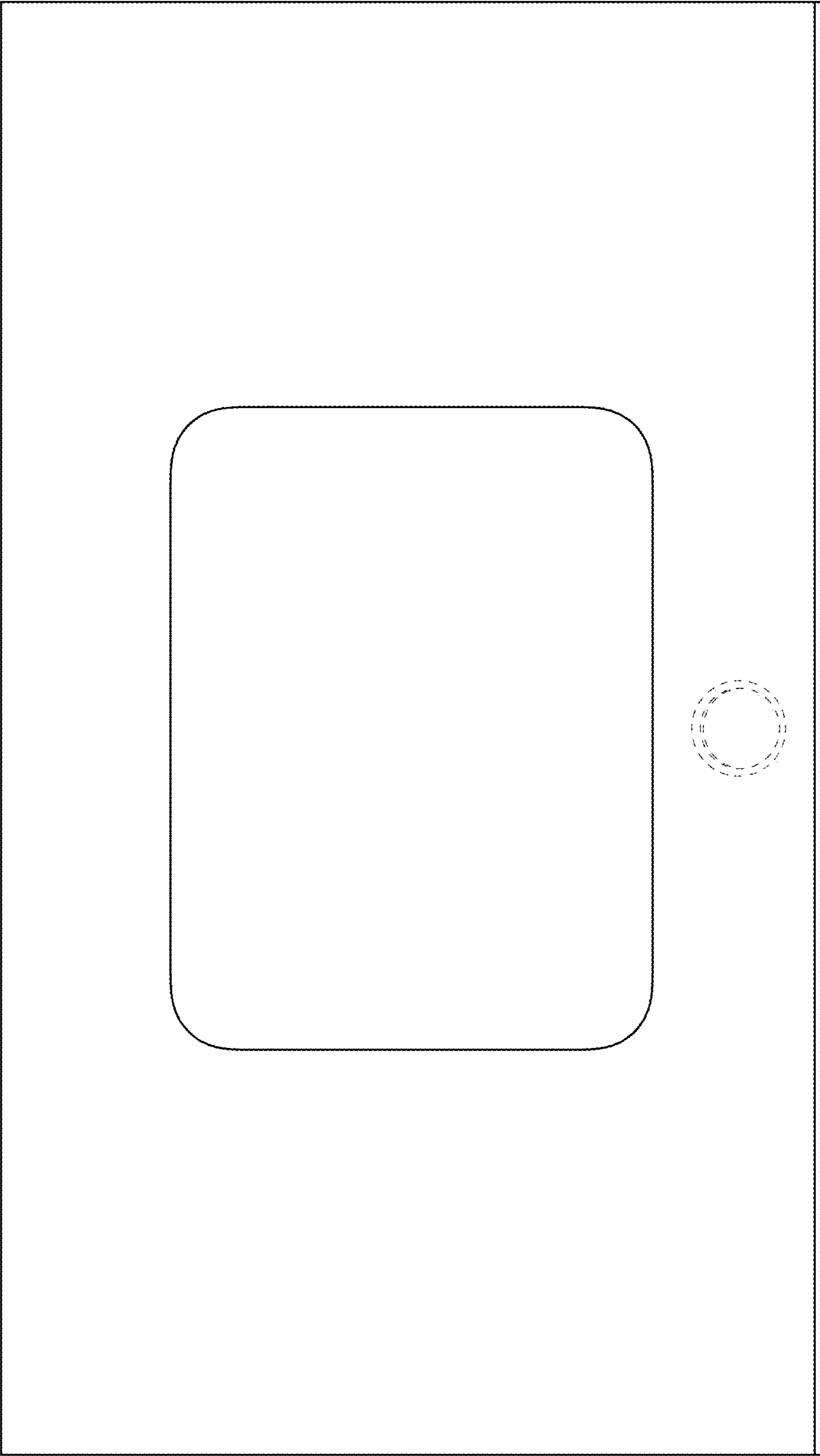


FIG. 4

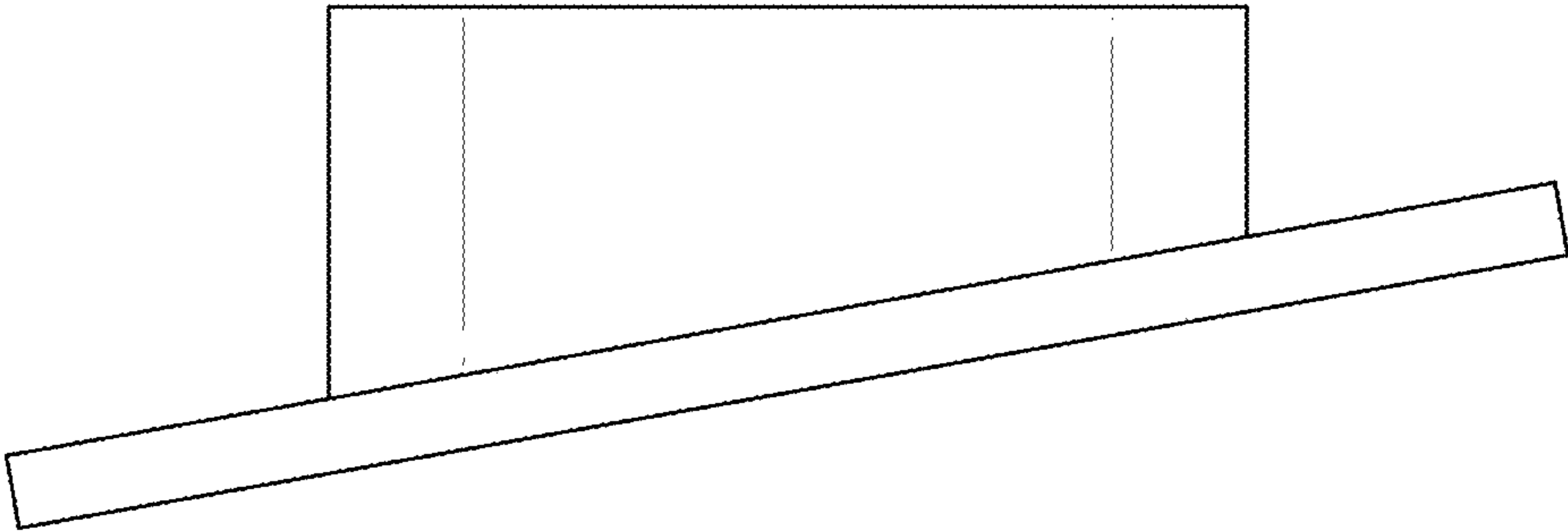


FIG. 6

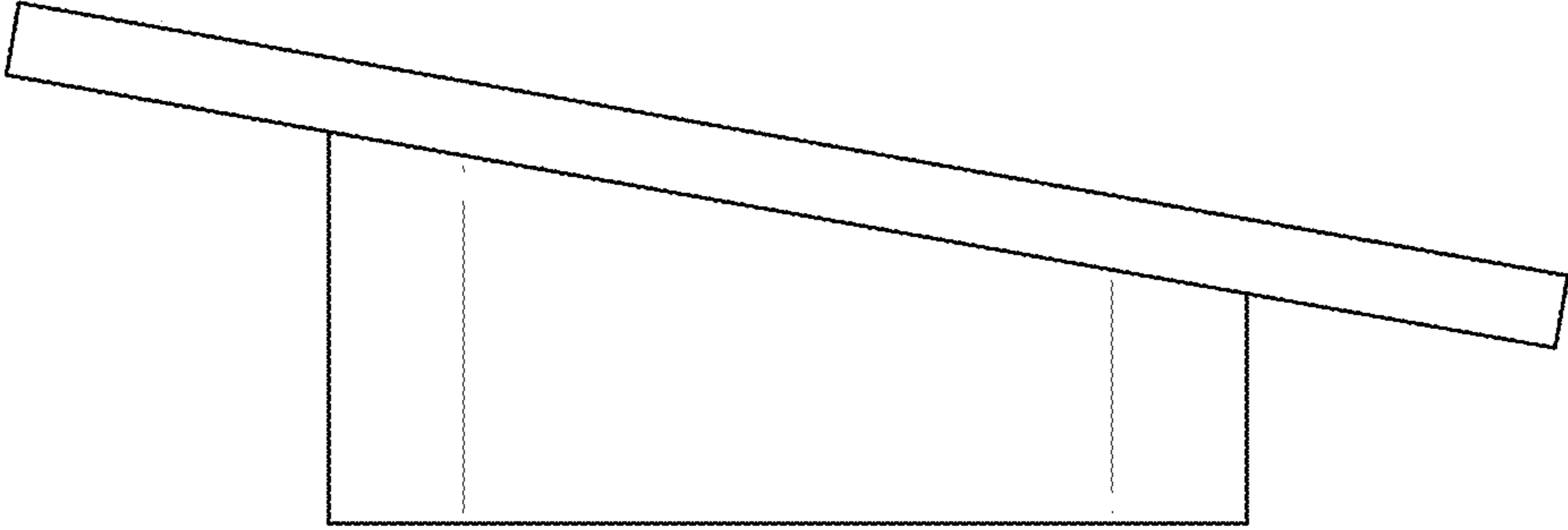


FIG. 5

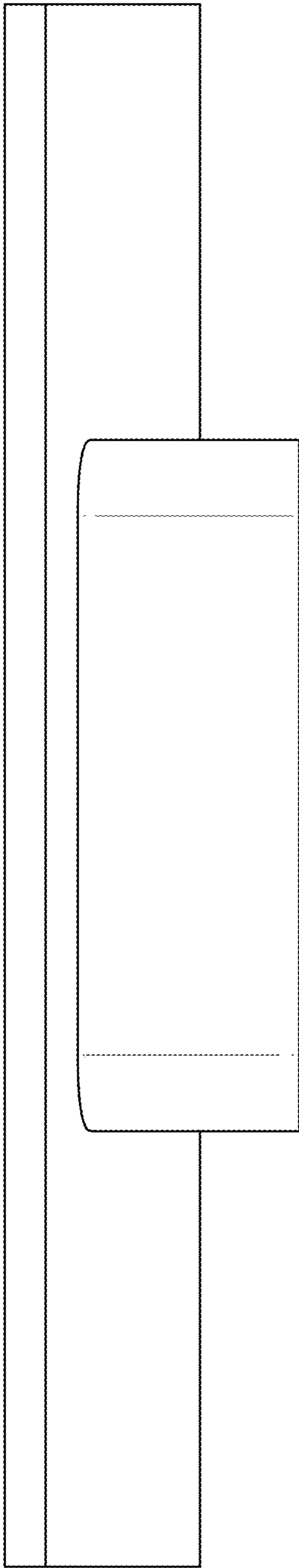


FIG. 7

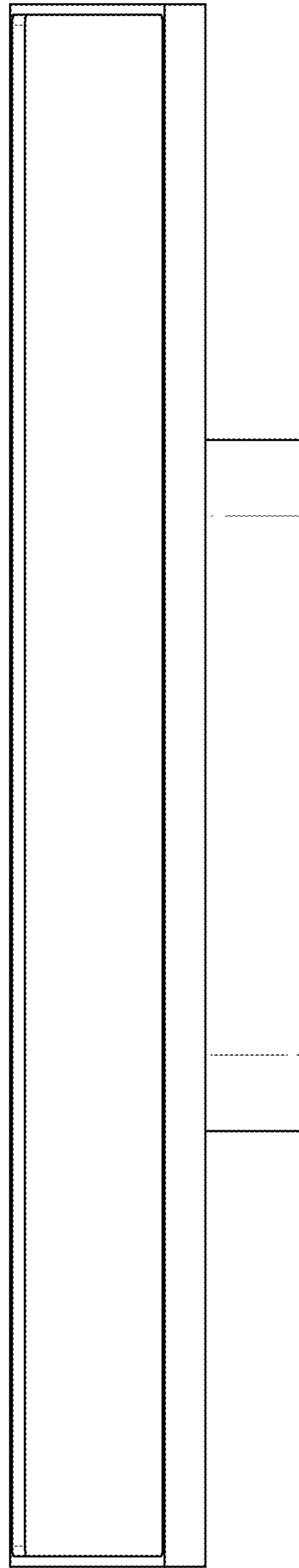


FIG. 8