



US00D974468S

(12) **United States Design Patent** (10) **Patent No.:** **US D974,468 S**
Kim (45) **Date of Patent:** **** Jan. 3, 2023**

(54) **PEN**
(71) Applicant: **DONG-A PENCIL CO., LTD.**, Seoul (KR)
(72) Inventor: **Hakjae Kim**, Seoul (KR)
(73) Assignee: **DONG-A PENCIL CO., LTD.**, Seoul (KR)
(**) Term: **15 Years**
(21) Appl. No.: **29/759,428**
(22) Filed: **Nov. 23, 2020**
(51) **LOC (14) Cl.** **19-06**
(52) **U.S. Cl.**
USPC **D19/172**
(58) **Field of Classification Search**
USPC D19/115–185; D14/431
CPC G06F 3/0383; G06F 3/03545
See application file for complete search history.

D873,917 S * 1/2020 Vadenne D19/199
D877,251 S * 3/2020 Vadenne D19/199
D902,311 S * 11/2020 Nakazawa D19/171
D923,709 S * 6/2021 Vadenne D19/192

FOREIGN PATENT DOCUMENTS

CN 304284443 * 9/2017

OTHER PUBLICATIONS

BIC Glide Bold Black Ballpoint Pens, Amazon.com, date published Jul. 14, 2008, date retrieved from Internet Mar. 21, 2022—29759428—<https://www.amazon.com/BIC-Velocity-Retractable-Point-12-Count/dp/B004F9QBDC?th=1> (Year: 2008).*

* cited by examiner

Primary Examiner — Jennifer L Rempfer
Assistant Examiner — Danielle Nichole Bowly
(74) *Attorney, Agent, or Firm* — The PL Law Group, PLLC

(56) **References Cited**

U.S. PATENT DOCUMENTS

D572,761 S * 7/2008 Zhang D19/166
D589,557 S * 3/2009 Kusch D19/172
D609,744 S * 2/2010 Rathod D19/912
D611,537 S * 3/2010 Rolion D19/934
D624,965 S * 10/2010 Li D19/172
D626,593 S * 11/2010 Casciotti D19/199
D641,788 S * 7/2011 Rolion D19/918
D665,025 S * 8/2012 Li D19/172
D683,402 S * 5/2013 Xie D19/166
D691,197 S * 10/2013 Casciotti D19/171
D721,762 S * 1/2015 Casciotti D19/199
D813,948 S * 3/2018 Vadenne D19/197
D815,204 S * 4/2018 Vadenne D19/199
D815,688 S * 4/2018 Vadenne D19/201
D844,056 S * 3/2019 Bindra D19/912
D844,704 S * 4/2019 Bindra D19/912
D847,263 S * 4/2019 Bindra D19/918
D849,838 S * 5/2019 Bindra D19/912

(57) **CLAIM**

The ornamental design for a pen, as shown and described herein.

DESCRIPTION

FIG. 1 is a perspective view of the pen of present invention; FIG. 2 is a front view thereof; FIG. 3 is a rear view thereof; FIG. 4 is a left side view thereof; FIG. 5 is a right side view thereof; FIG. 6 is a top view thereof; and, FIG. 7 is a bottom view thereof. The broken lines in the figures depict portions of the pen which form no part of the claimed design.

1 Claim, 7 Drawing Sheets

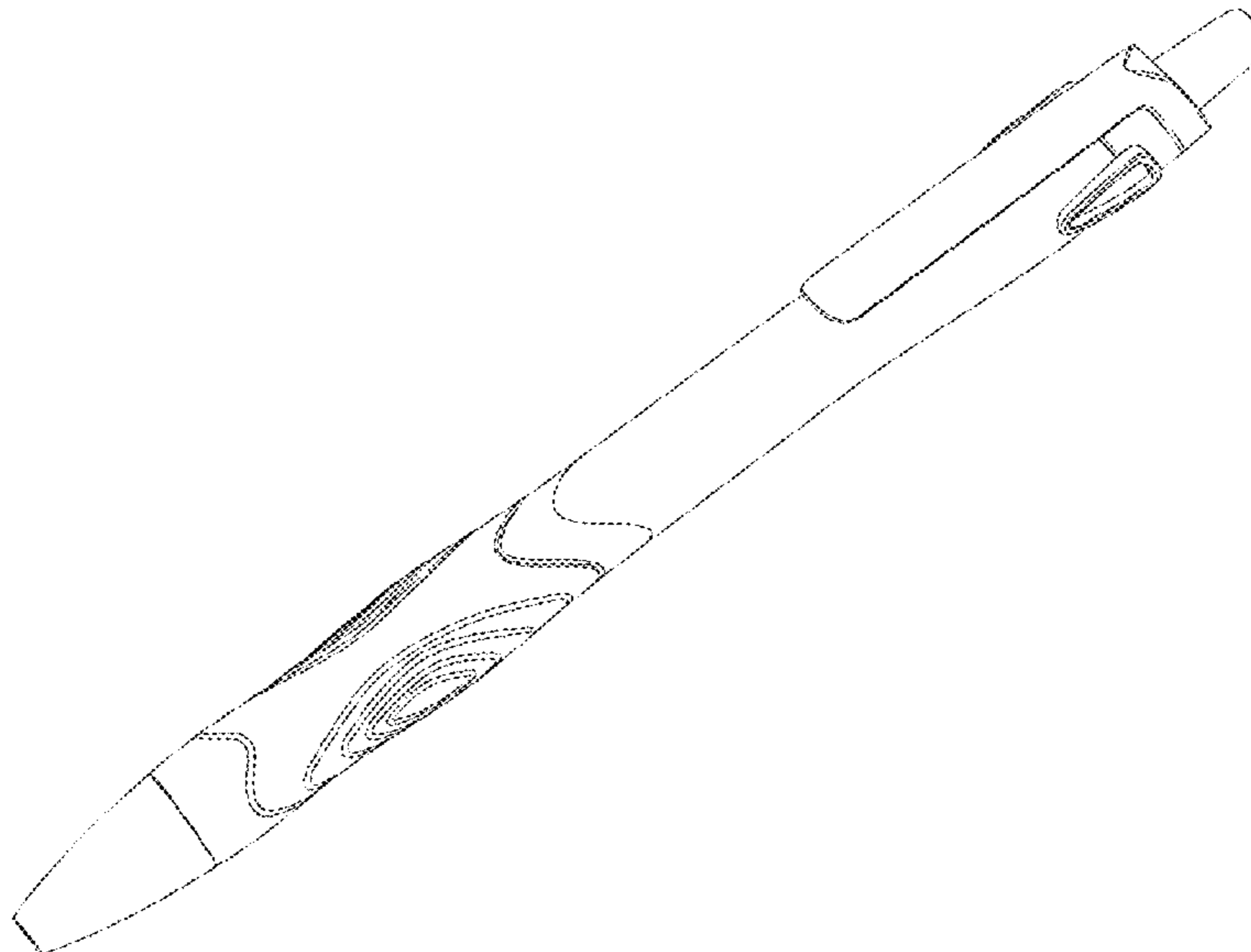
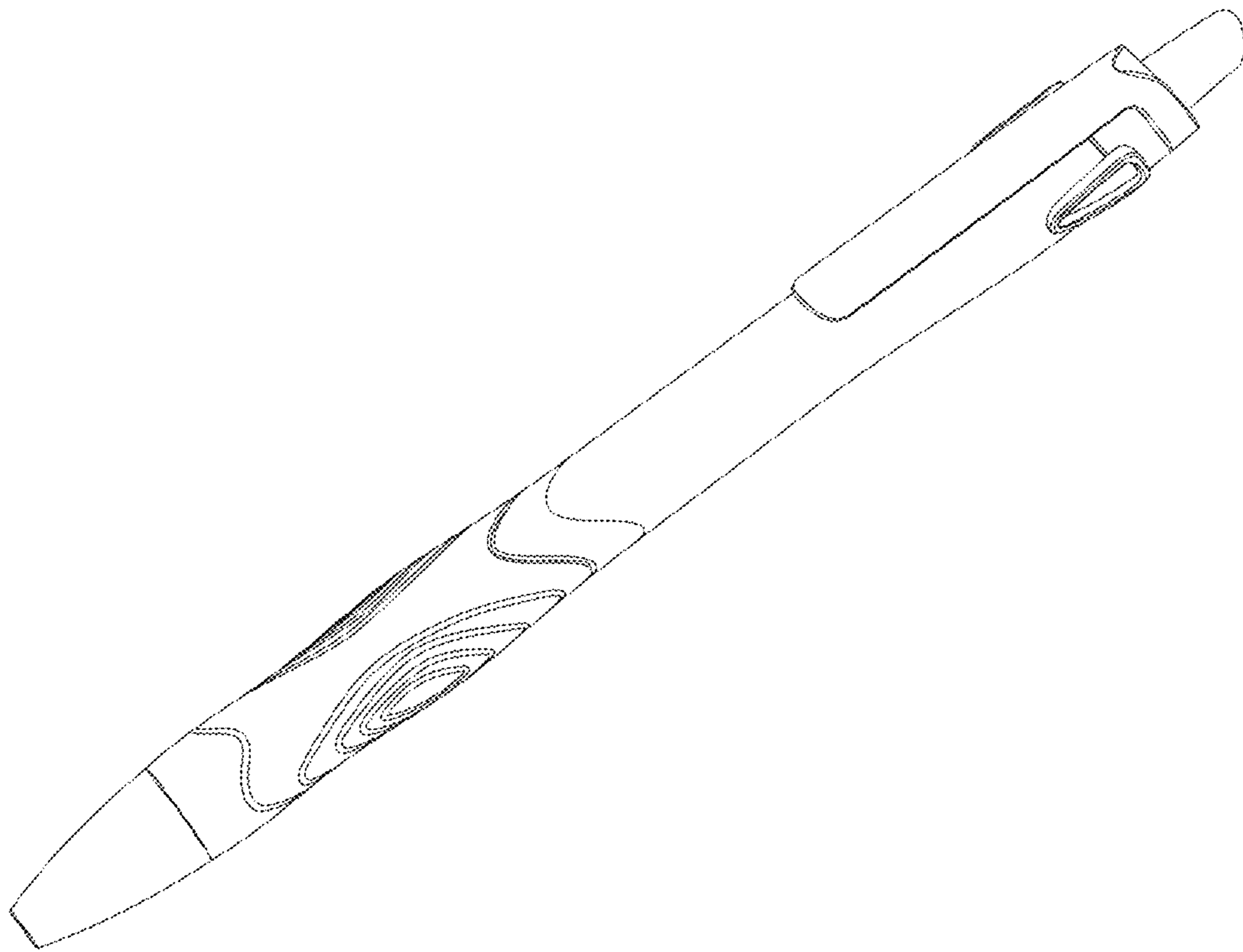


FIG. 1



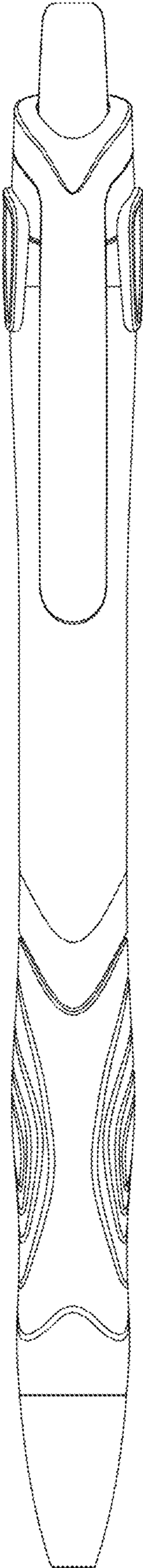


FIG. 2

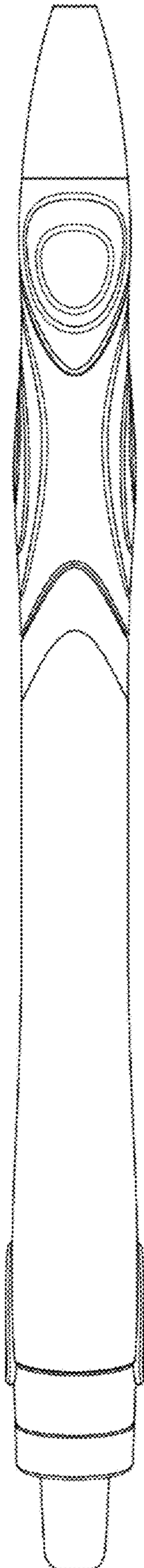


FIG. 3

FIG. 4

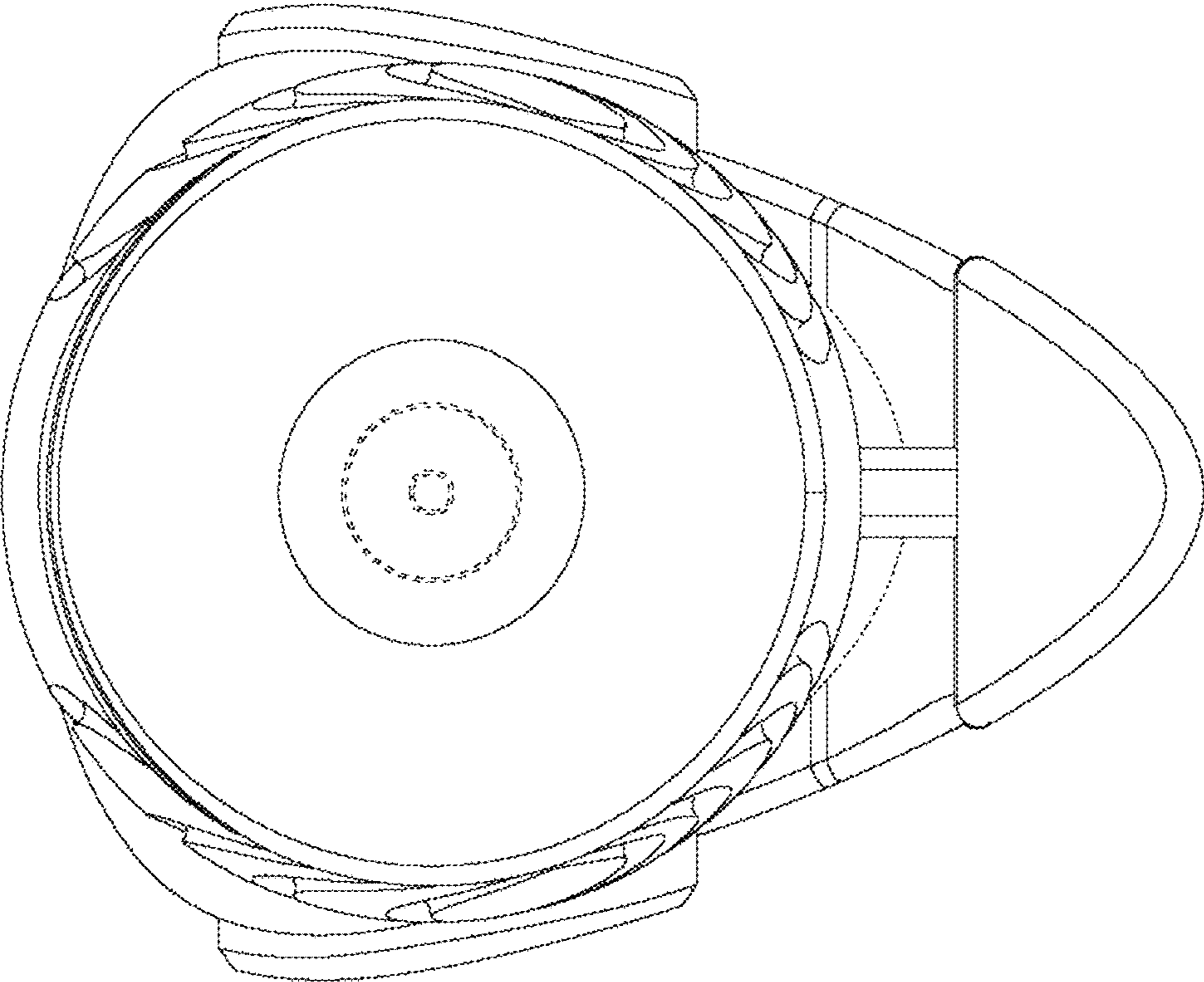
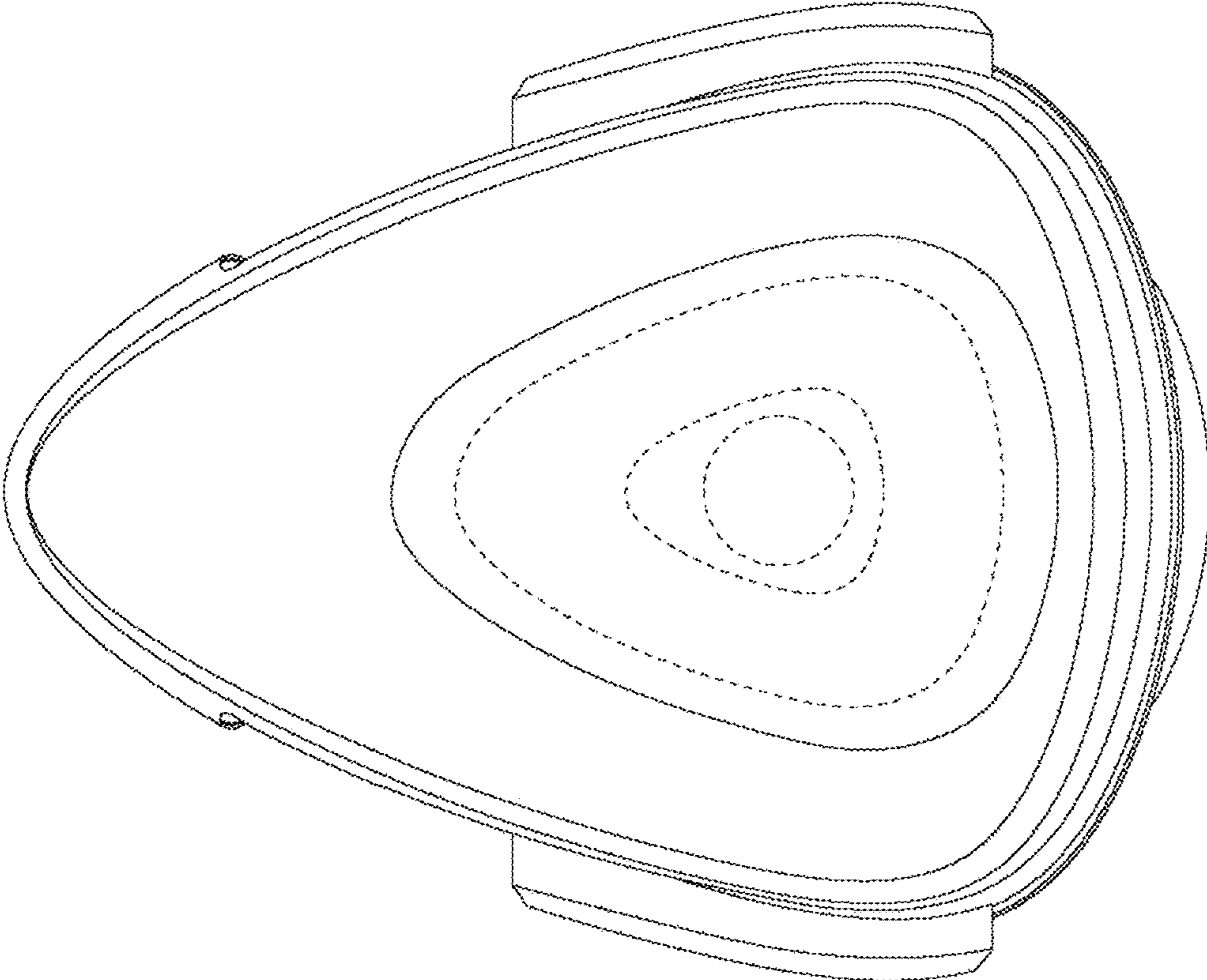


FIG. 5



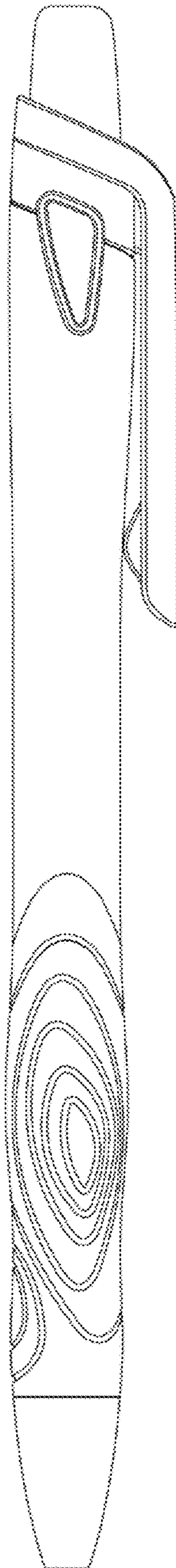


FIG. 6

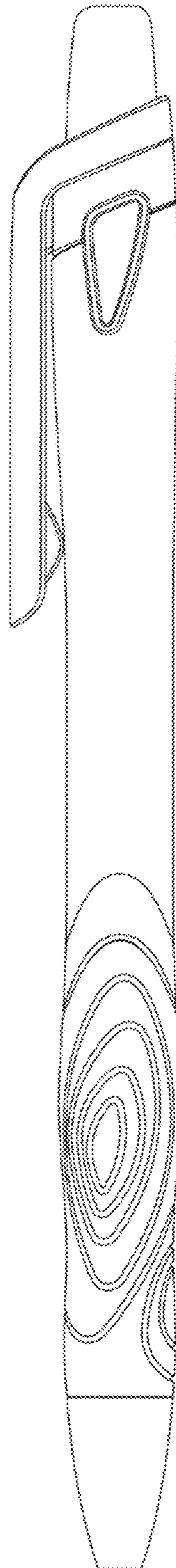


FIG. 7