



US00D974462S

(12) **United States Design Patent**
Oguchi et al.

(10) **Patent No.:** **US D974,462 S**
(45) **Date of Patent:** **** Jan. 3, 2023**

(54) **PRINTER**

D838,717 S * 1/2019 Quijano D14/349
D892,919 S * 8/2020 Nakatani D18/19
D903,665 S * 12/2020 Yoon D14/349

(71) Applicant: **BROTHER INDUSTRIES, LTD.**,
Nagoya (JP)

FOREIGN PATENT DOCUMENTS

(72) Inventors: **Takaaki Oguchi**, Nagoya (JP);
Kazuhisa Tashima, Nagoya (JP);
Robin Riazi, Kasugai (JP)

JP D1569053 * 1/2017
JP D1597817 * 1/2018
JP D1607838 * 6/2018

(73) Assignee: **BROTHER INDUSTRIES, LTD.**,
Nagoya (JP)

OTHER PUBLICATIONS

(**) Term: **15 Years**

Amazon.com_ Brother P-Touch PT-P900W-pg.8-2016-amazon.com—

(21) Appl. No.: **29/734,406**

(22) Filed: **May 12, 2020**

(30) **Foreign Application Priority Data**

Nov. 12, 2019 (JP) 2019-025140

(51) **LOC (14) Cl.** **14-02**

(52) **U.S. Cl.**
USPC **D18/50**

(58) **Field of Classification Search**
USPC D18/4.1, 4.4, 4.6, 37, 38, 39, 50, 53, 54,
D18/55, 59; D14/300, 301, 302, 307,
D14/308, 314, 321, 365; D6/514, 672,
D6/681.2, 691.9
CPC ... H04H 2201/0094; H04H 2201/0081; H04N
1/00278

See application file for complete search history.

(56) **References Cited**

U.S. PATENT DOCUMENTS

D362,673 S * 9/1995 Yamamoto D18/19
D579,013 S * 10/2008 Kobeli D14/300
D641,394 S * 7/2011 Inada D18/50
D694,319 S * 11/2013 Nakagawa D18/50
D717,794 S * 11/2014 Koberling D14/349
D777,228 S * 1/2017 Chang D15/122
D777,808 S * 1/2017 Chang D15/122
D786,341 S * 5/2017 Iwai D18/50

* cited by examiner

Primary Examiner — Jennifer L Rempfer
Assistant Examiner — Danielle Nichole Bowly
(74) *Attorney, Agent, or Firm* — Oliff PLC

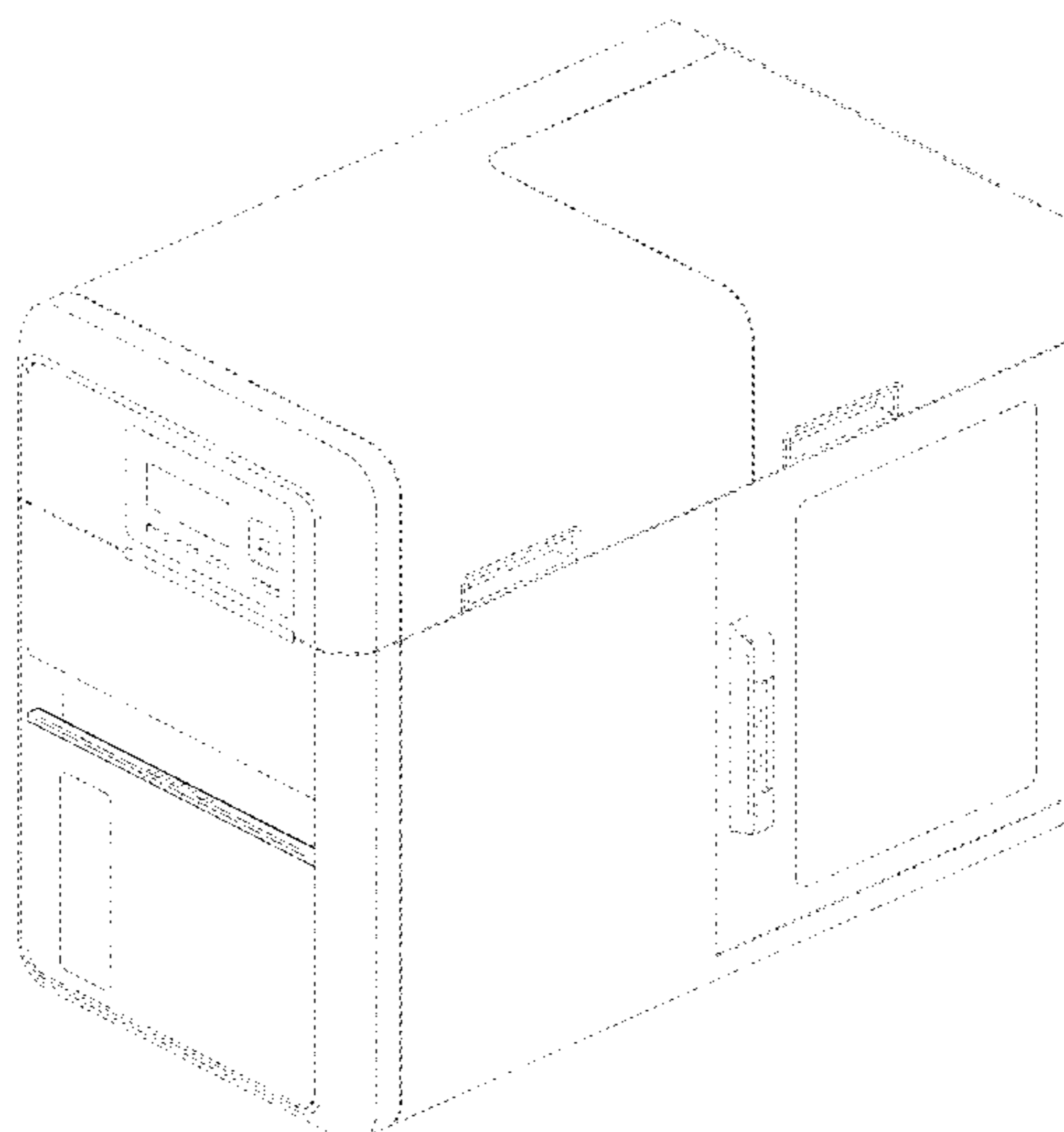
(57) **CLAIM**

The ornamental design for a printer, as shown and described.

DESCRIPTION

FIG. 1 is a perspective view of the printer;
FIG. 2 is a front elevational view thereof;
FIG. 3 is a top plan view thereof;
FIG. 4 is a left-side elevational view thereof;
FIG. 5 is a right-side elevational view thereof;
FIG. 6 is a rear elevational view thereof; and,
FIG. 7 is a bottom plan view thereof.
The evenly spaced broken lines depict unclaimed parts of the printer and form no part of the claimed design.

1 Claim, 5 Drawing Sheets



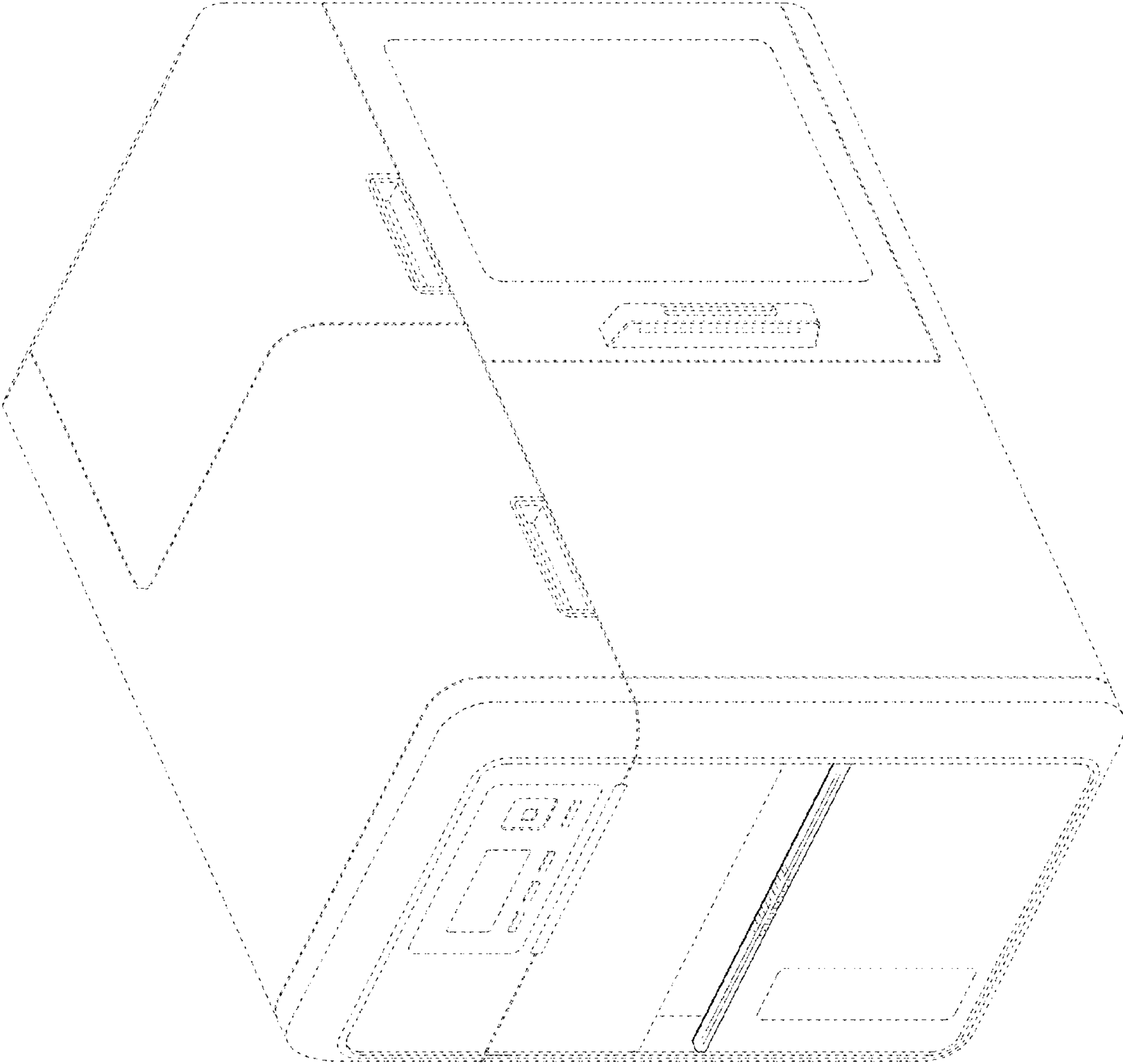


FIG. 1

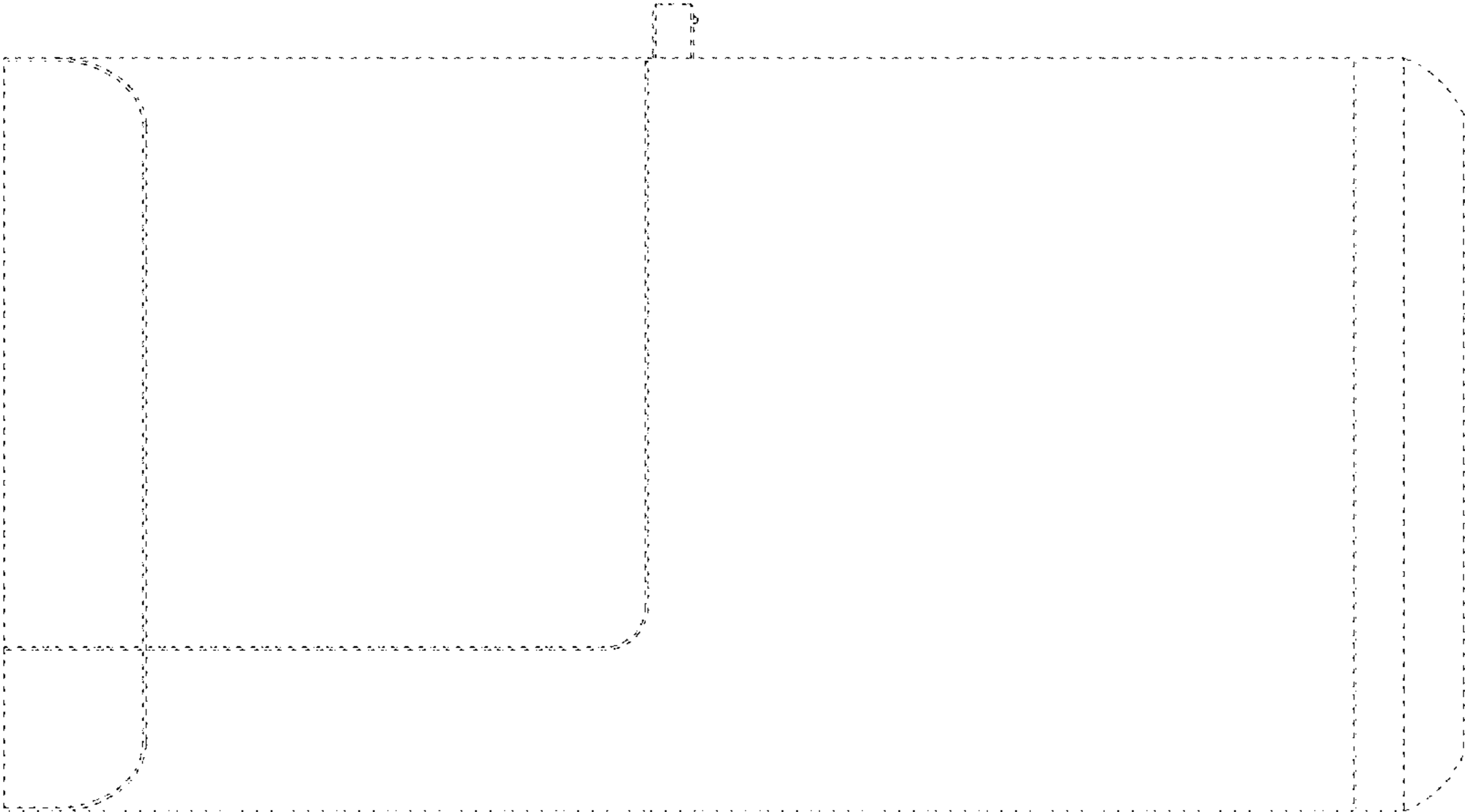


FIG. 3

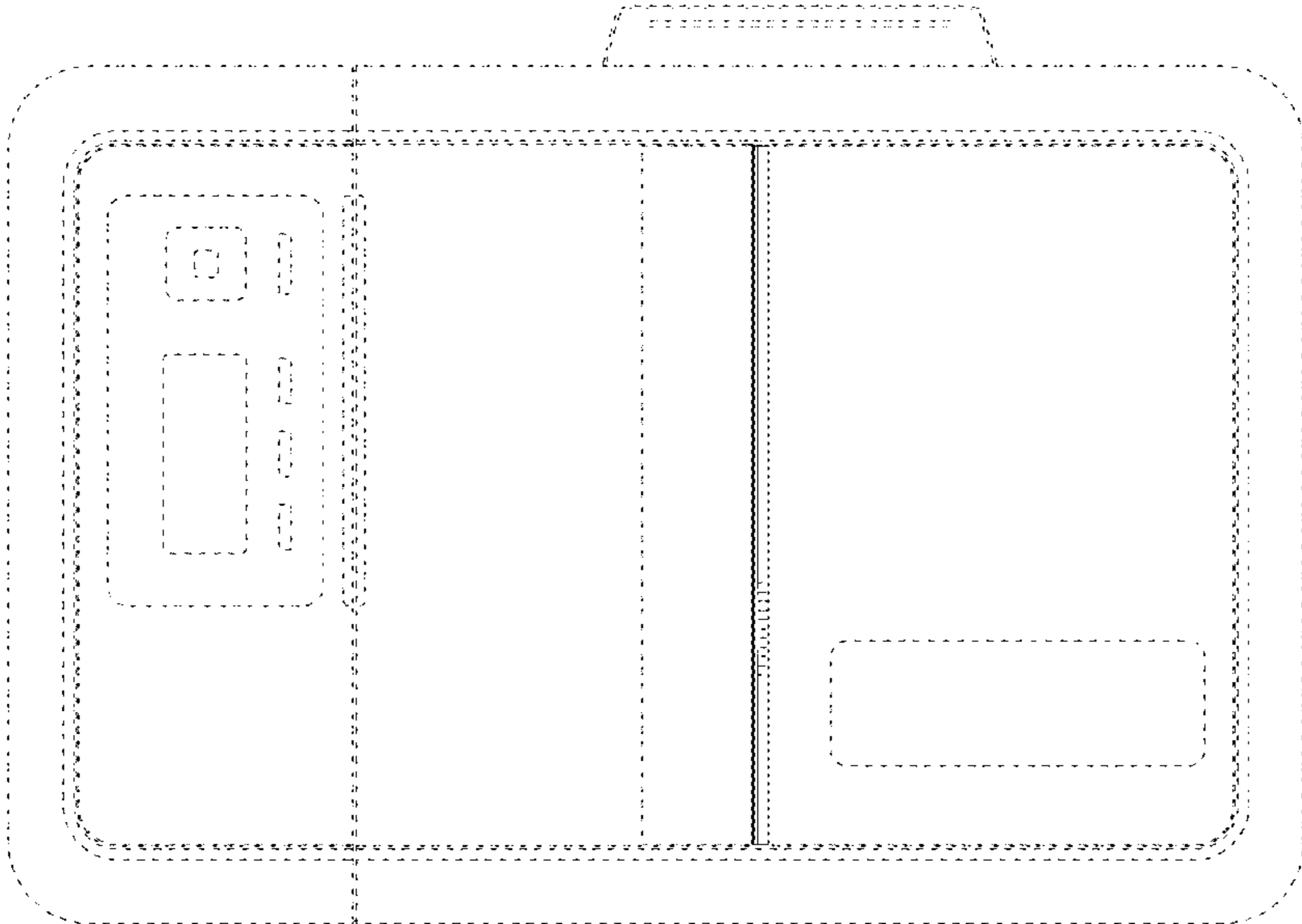


FIG. 2

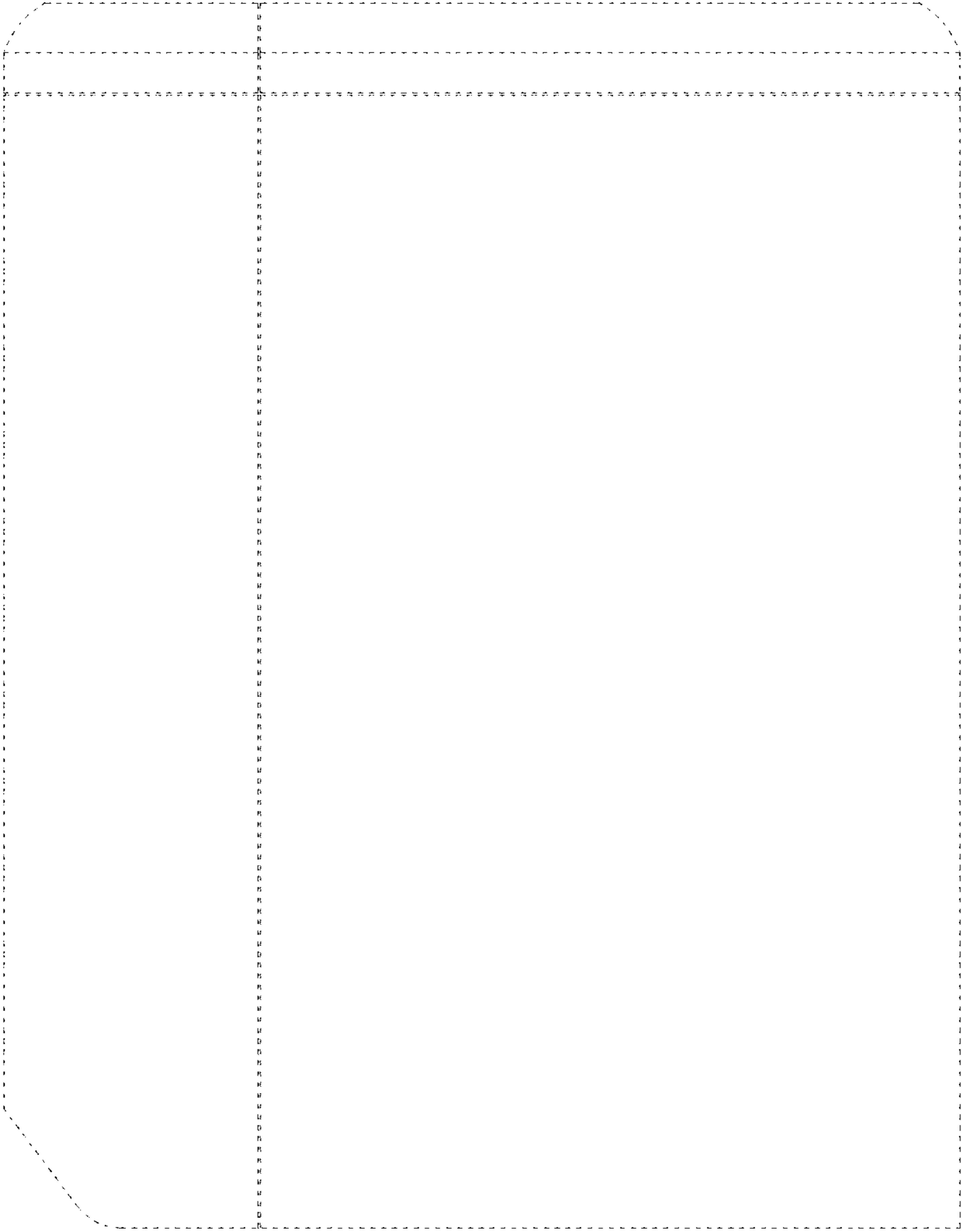


FIG. 4

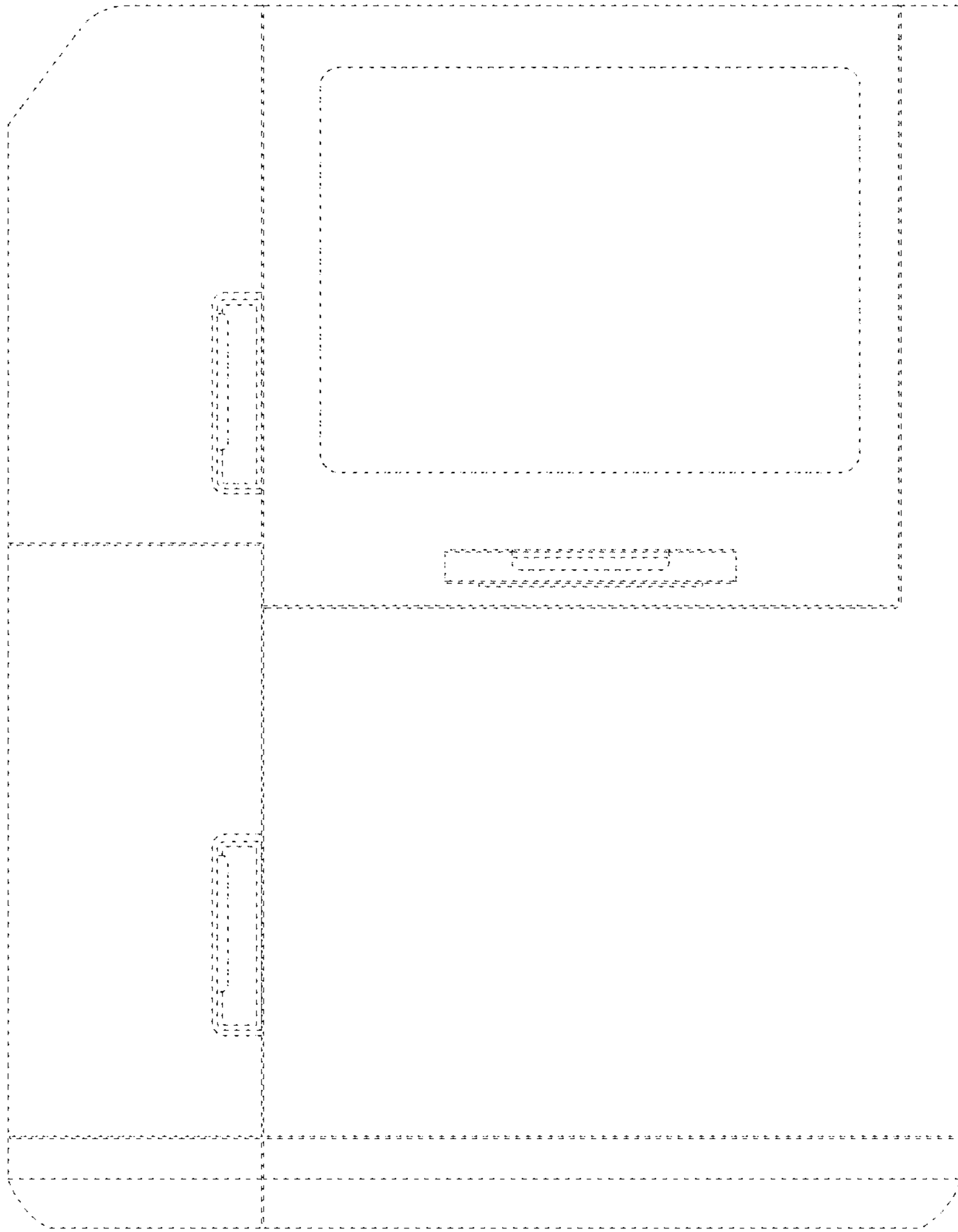


FIG. 5



FIG. 6



FIG. 7