



US00D974461S

(12) **United States Design Patent** (10) **Patent No.:** **US D974,461 S**
Forbes (45) **Date of Patent:** **** Jan. 3, 2023**

(54) **ENVELOPE OPENER**

(71) Applicant: **OPEX Corporation**, Moorestown, NJ (US)

(72) Inventor: **John Forbes**, Stratford, NJ (US)

(73) Assignee: **OPEX Corporation**, Moorestown, NJ (US)

(**) Term: **15 Years**

(21) Appl. No.: **29/684,184**

(22) Filed: **Mar. 19, 2019**

(51) **LOC (14) Cl.** **18-99**

(52) **U.S. Cl.**
USPC **D18/46**

(58) **Field of Classification Search**
USPC D18/46, 47, 48, 49, 50, 53, 54, 55, 59,
D18/36, 37, 38, 39, 40, 41, 45, 56;
D14/301, 307, 121
See application file for complete search history.

(56) **References Cited**

U.S. PATENT DOCUMENTS

| | | | | |
|---------------|--------|-------------------|-------|-----------------------|
| D164,124 S * | 7/1951 | O'Neil | | D18/46 |
| 3,381,564 A * | 5/1968 | Whiteford | | B43M 7/005 83/417 |
| D212,062 S * | 8/1968 | Davis | | D8/102 |
| D250,701 S | 1/1979 | Krupotich | | |
| D254,059 S | 1/1980 | Krupotich | | |
| D260,133 S | 8/1981 | Power et al. | | |
| D272,229 S * | 1/1984 | Oussani | | D8/102 |
| D278,250 S | 4/1985 | Rosensweig et al. | | |
| 4,741,105 A * | 5/1988 | Wong | | B43L 23/008 30/123 |
| D299,774 S | 2/1989 | Krupotich | | |
| D309,472 S | 7/1990 | Nishida | | |

(Continued)

FOREIGN PATENT DOCUMENTS

CA 2833140 A1 * 10/2012 B43M 7/008
EP 2103399 A2 * 9/2009 B26D 7/18

(Continued)

OTHER PUBLICATIONS

Amazon. Link: https://www.amazon.com/dp/B0006HU00I/ref=cm_sw_r_tw_dp_U_x_QRYOEBRCJB1SW. Apr. 18, 2006. Martin Yale 1632 Automatic Letter Opener. (Year: 2006).*

(Continued)

Primary Examiner — Lauren D McVey

(74) *Attorney, Agent, or Firm* — Stephen Eland

(57) **CLAIM**

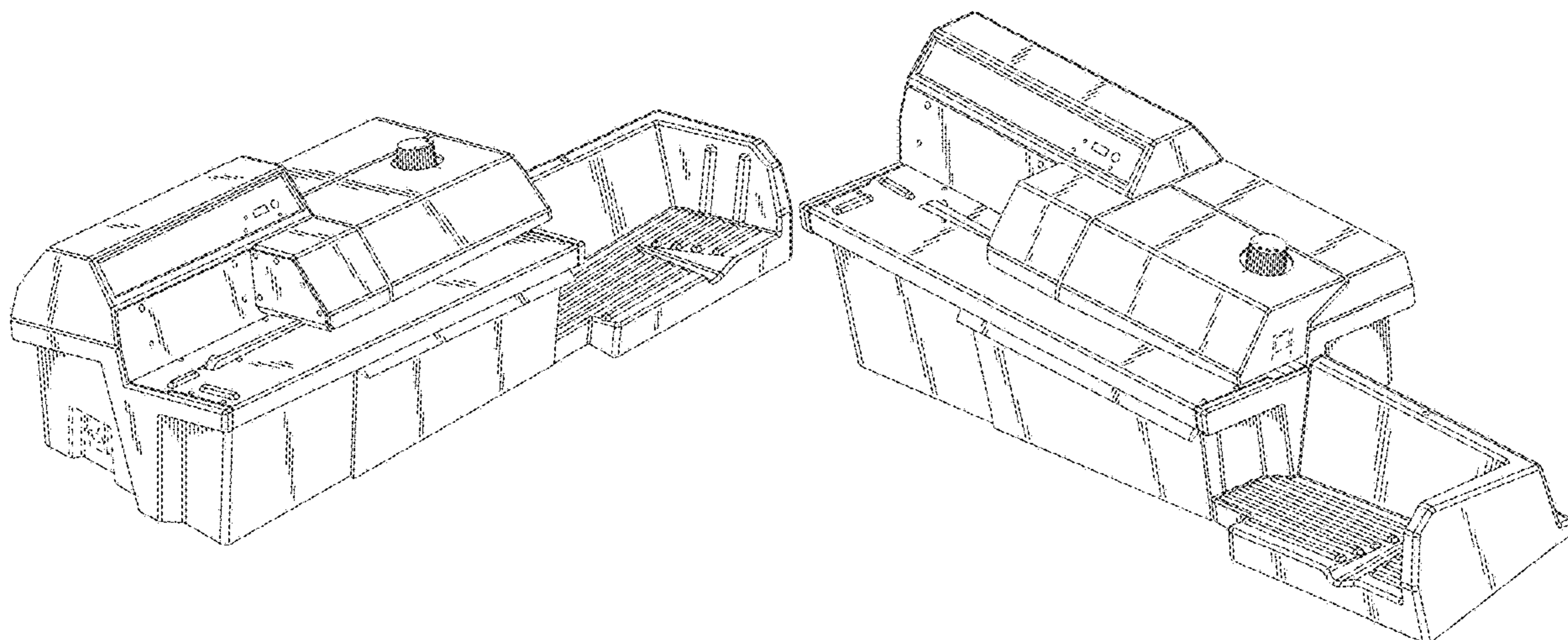
The ornamental design for an envelope opener, as shown and described.

DESCRIPTION

FIG. 1 is a front perspective view of an envelope opener showing my new design;
FIG. 2 is a second front perspective view of the envelope opener shown in FIG. 1;
FIG. 3 is a front elevational view of the envelope opener shown in FIG. 1;
FIG. 4 is a left side view of the envelope opener shown in FIG. 1;
FIG. 5 is a right side view of the envelope opener shown in FIG. 1;
FIG. 6 is a back elevational view of the envelope opener shown in FIG. 1; and,
FIG. 7 is a top plan view of the envelope opener shown in FIG. 1.

The bottom forms no part of the claimed design.
The broken lines in the Figures indicate unclaimed parts and form no part of the claimed design.

1 Claim, 3 Drawing Sheets



(56)

References Cited

U.S. PATENT DOCUMENTS

D309,617 S 7/1990 Bain
 D319,055 S * 8/1991 Feger D18/3.3
 D351,615 S * 10/1994 James, III D18/49
 D354,766 S 1/1995 Meister
 5,470,182 A * 11/1995 Krupotich B43M 7/005
 30/DIG. 3
 D422,874 S 4/2000 Forbes
 6,390,702 B1 * 5/2002 Muller B41J 13/106
 271/2
 D478,121 S 8/2003 Forbes
 6,612,211 B1 * 9/2003 Stigliano B43M 7/001
 271/4.01
 6,912,827 B2 7/2005 Forbes
 D524,847 S * 7/2006 McIntosh D18/40
 D592,035 S * 5/2009 Sugrue D19/65
 D656,536 S * 3/2012 Auroux D18/46

8,919,570 B2 12/2014 DeWitt et al.
 9,527,114 B2 12/2016 DeWitt et al.
 2020/0298613 A1* 9/2020 Forbes B41J 13/12

FOREIGN PATENT DOCUMENTS

GB 1279073 A * 6/1972 B43M 7/005
 JP D1223625 * 11/2004

OTHER PUBLICATIONS

Ovation—Model 106 Envelopener with Unique Milling Cutter, product brochure, published before Apr. 2012.
 Ovation—Model 202C Envelopener, product brochure, published before Apr. 2012.
 Ovation—Model 2000 Table Top Envelopener with Unique Milling Cutter, product brochure, published before Apr. 2012.
 Ovation—Model EV-2 Sorter/Verifier, product brochure, published before Apr. 2012.

* cited by examiner

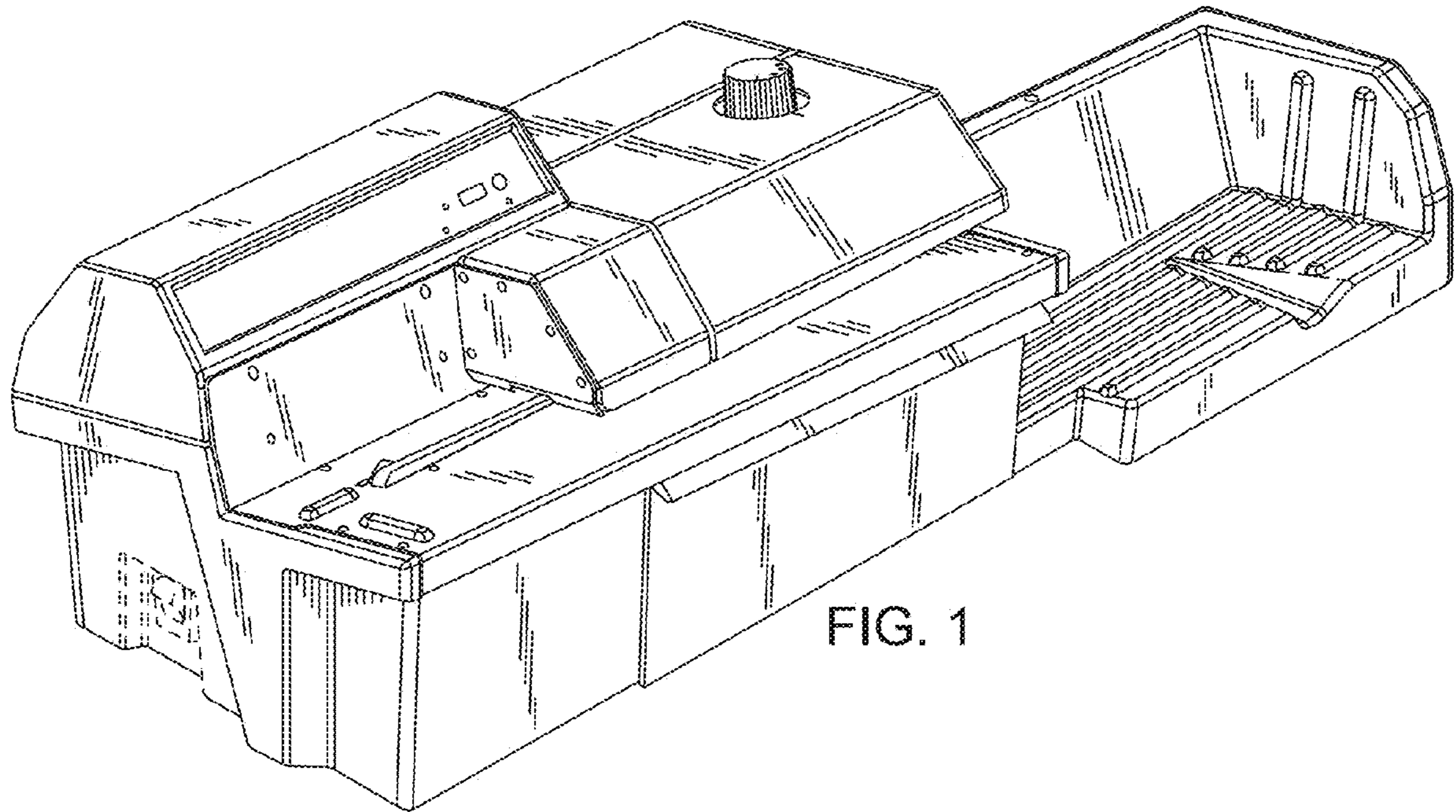


FIG. 1

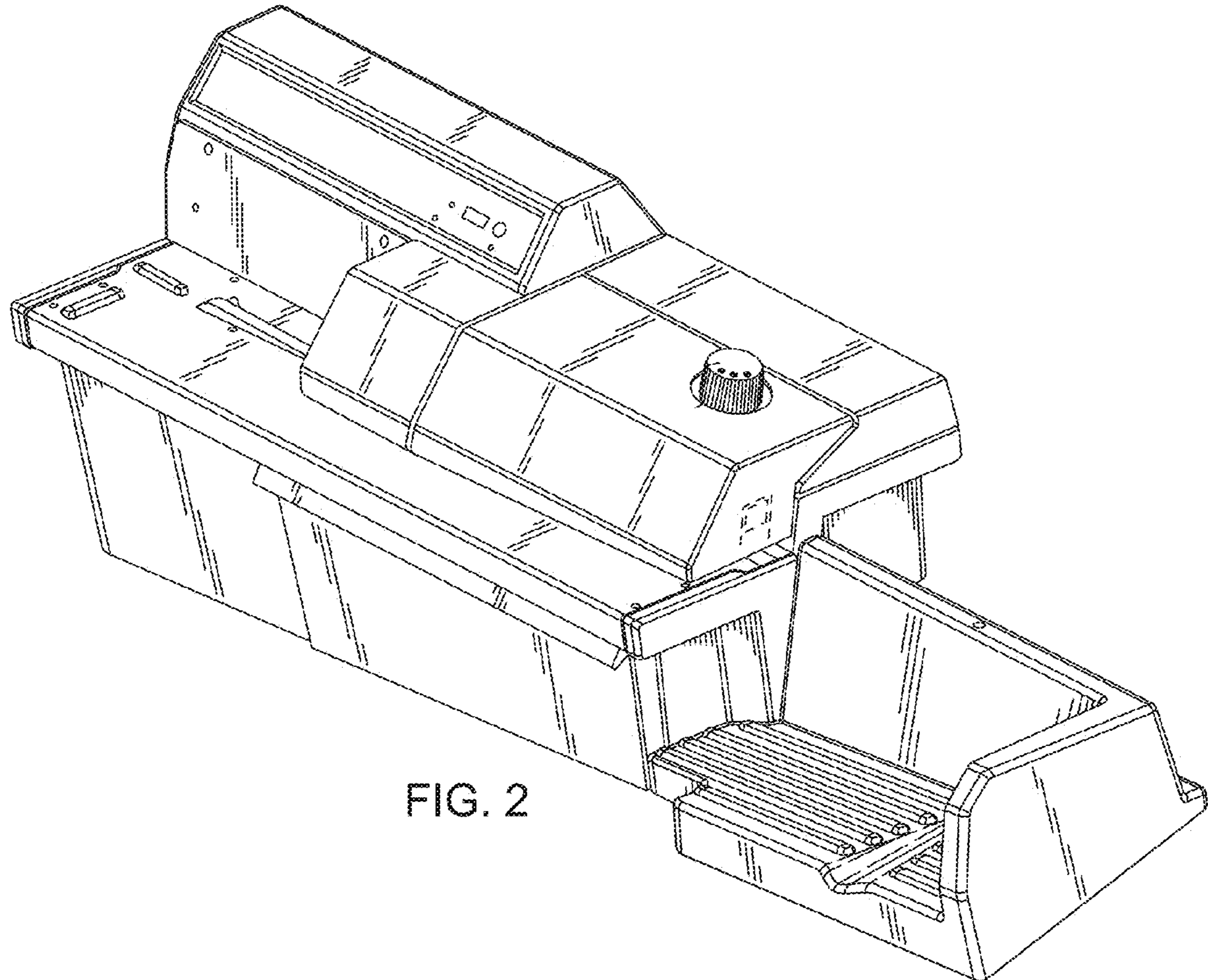


FIG. 2

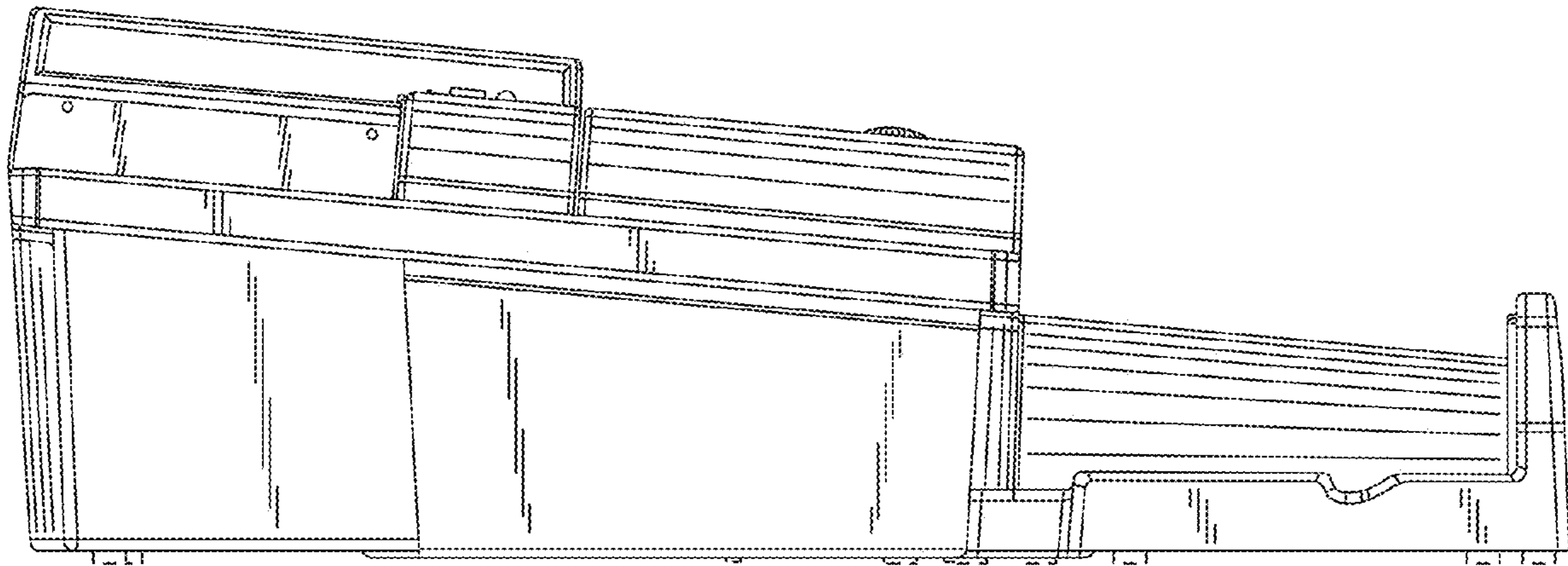


FIG. 3

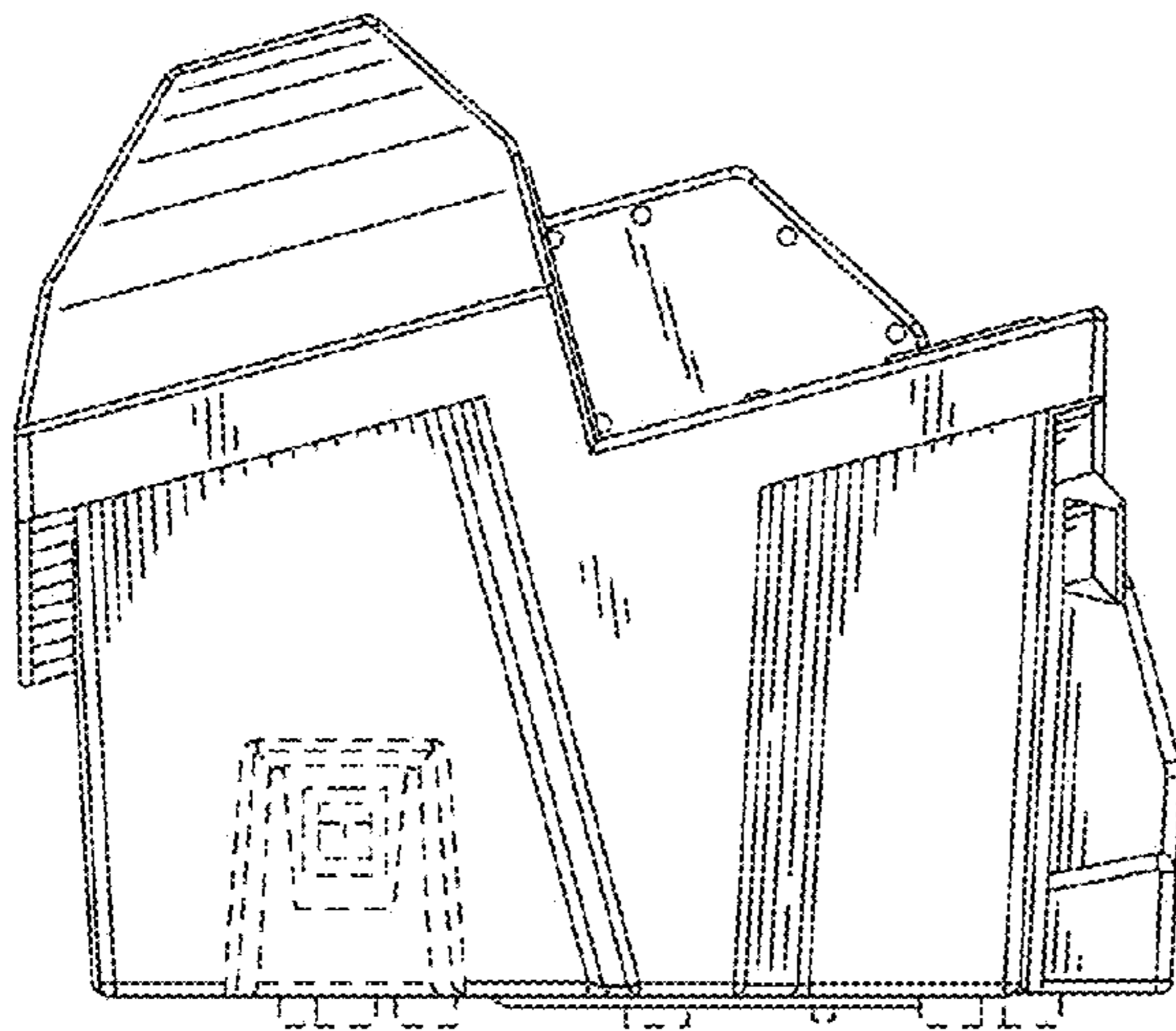


FIG. 4

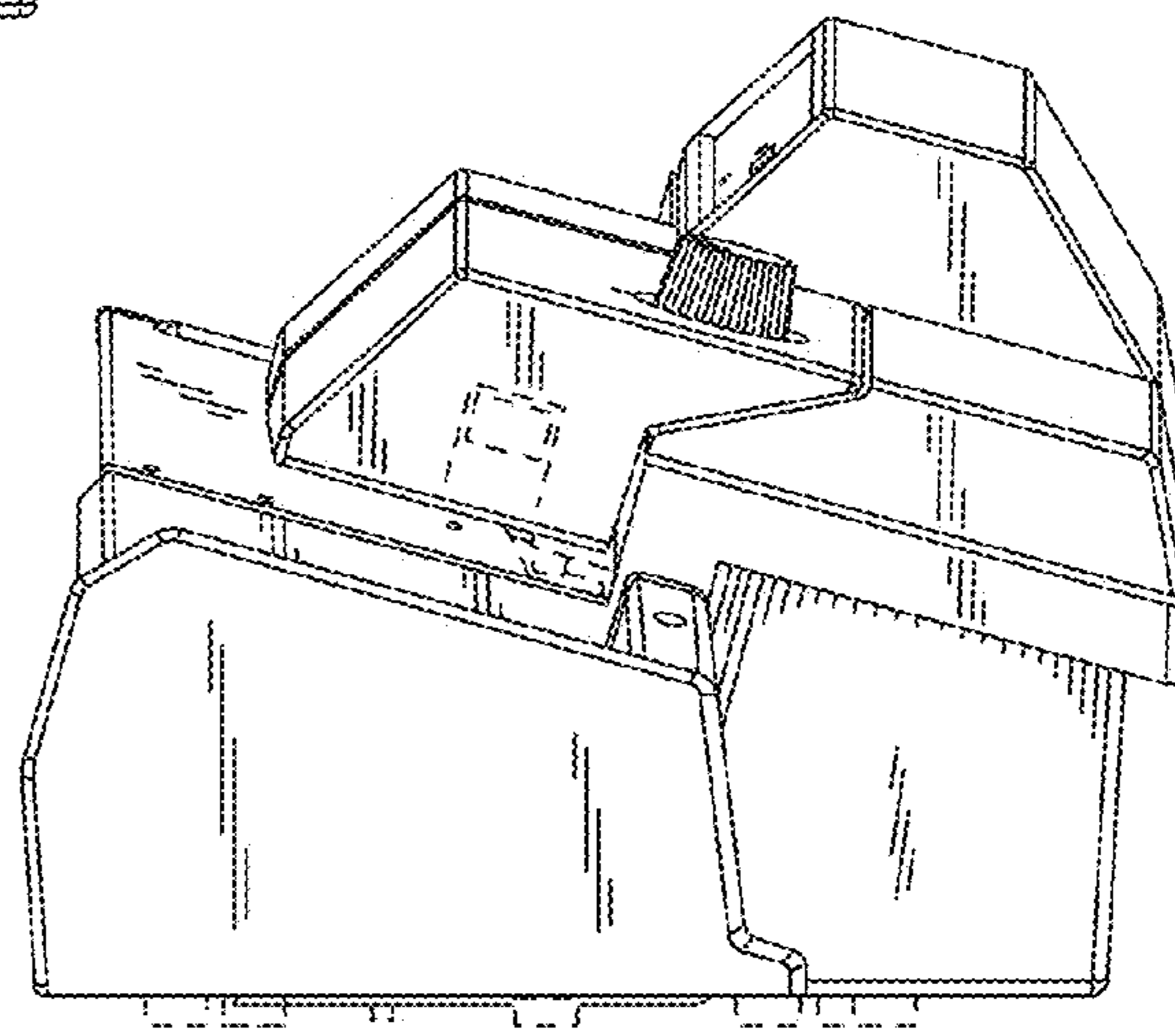


FIG. 5

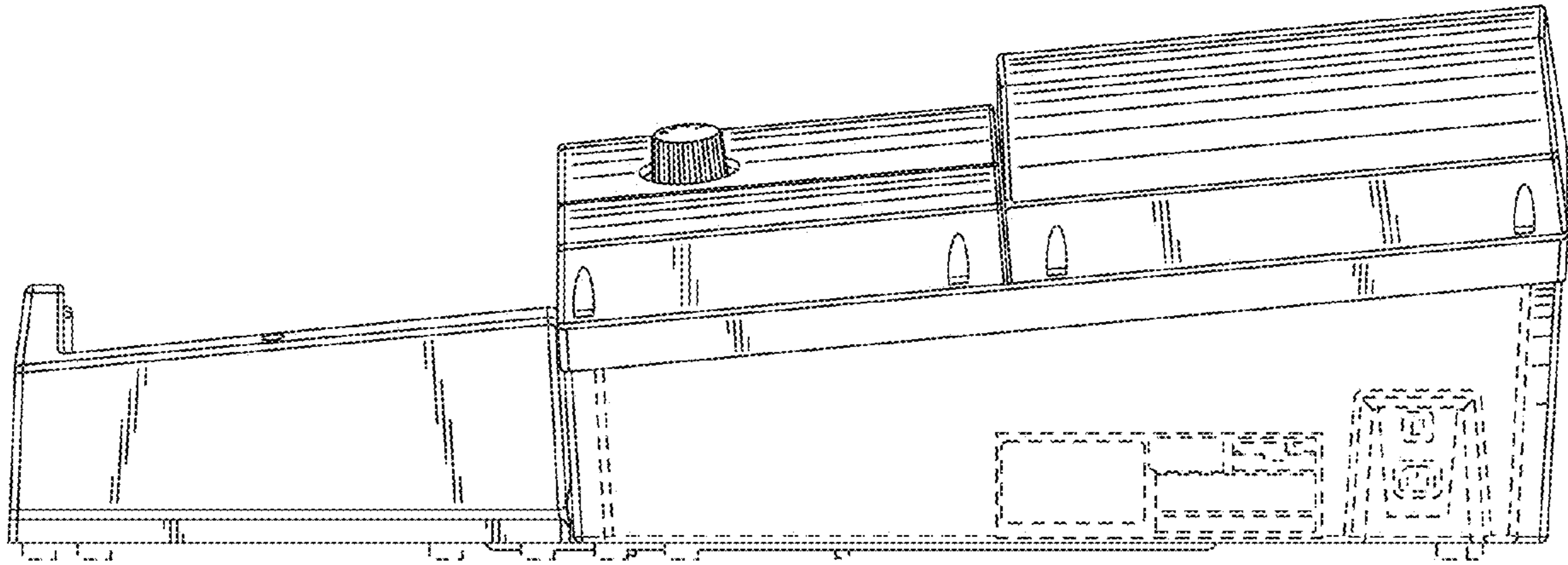


FIG. 6

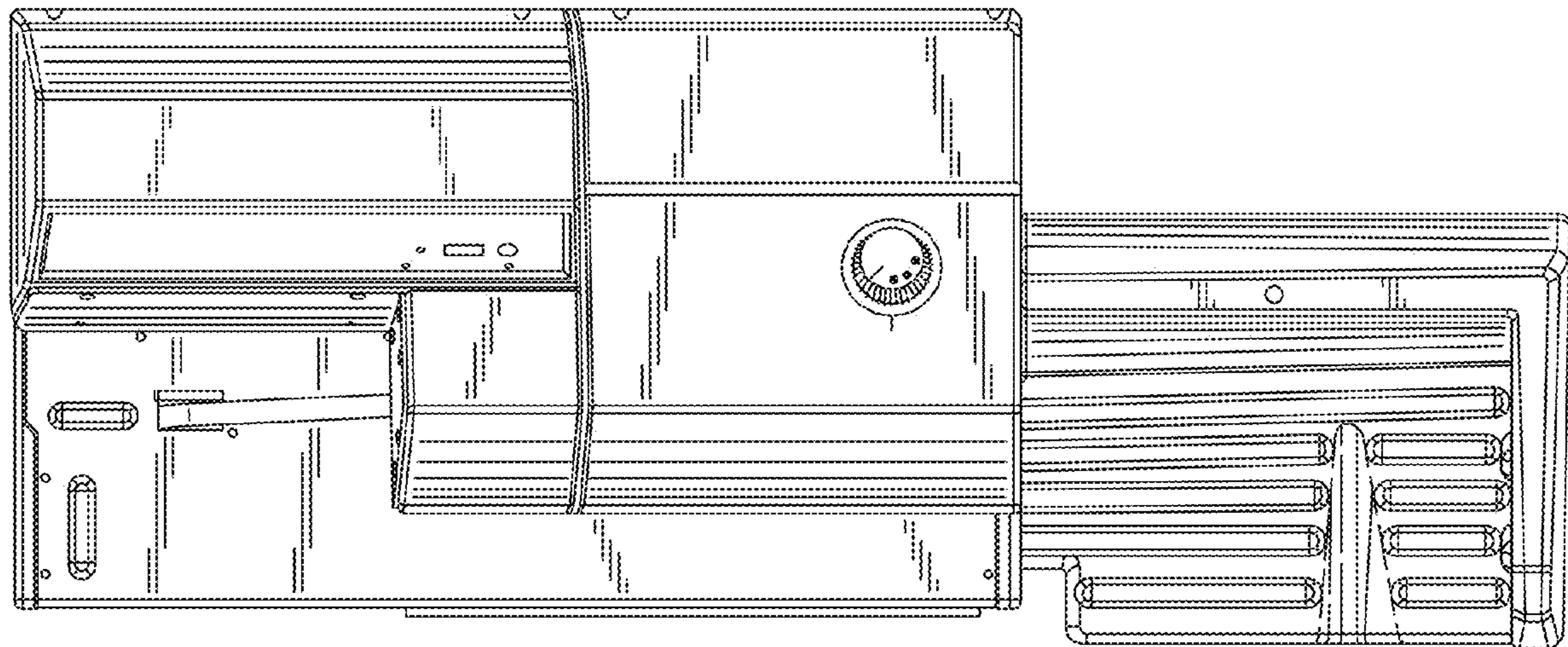


FIG. 7