



US00D974460S

(12) **United States Design Patent** (10) **Patent No.:** **US D974,460 S**
Li (45) **Date of Patent:** **** Jan. 3, 2023**

(54) **BINDING MACHINE**

FOREIGN PATENT DOCUMENTS

(71) Applicant: **VANYE INTERNATIONAL TECHNOLOGY COMPANY LIMITED**, Manchester (GB)

CN 3393335 * 9/2004
CN 3394764 * 9/2004

(Continued)

(72) Inventor: **Miantao Li**, Guangdong (CN)

OTHER PUBLICATIONS

(73) Assignee: **VANYE INTERNATIONAL TECHNOLOGY COMPANY LIMITED**, Manchester (GB)

Amazon. Link: https://www.amazon.com/AmazonBasics-3870-Comb-Binding-Machine/dp/B086N8NXHR/ref=sr_1_3?crd=3MFQL7QI7WFB8&keywords=B086N8NXHR&qid=1660658417&s=office-products&sprefix=b086n8nxhr%2Coffice-products%2C46&sr=1-3. Oct. 28, 2020. Amazon Basics Comb Binding Machine. (Year: 2020).*

(**) Term: **15 Years**

(Continued)

(21) Appl. No.: **29/807,828**

(22) Filed: **Sep. 15, 2021**

Primary Examiner — Lauren D McVey

(51) **LOC (14) Cl.** **18-04**

(74) *Attorney, Agent, or Firm* — ScienBiziP, P.C.

(52) **U.S. Cl.**

USPC **D18/34.3**

(58) **Field of Classification Search**

USPC D18/34.1, 34.2, 34.3, 34.4, 34.5, 34.6, D18/34.7, 34.8, 34.9, 36, 50, 53, 54; D15/127, 128

CPC B26D 1/045; B26D 1/065; B26D 1/08; B26D 1/085; B26D 1/10; B26D 1/105; B26D 1/125; B26D 1/147; B26D 1/1475; B26D 1/15; B26D 1/151; B26D 1/153; B26D 1/1535; B26D 1/185; B26D 1/305; B26D 1/34; B26D 1/345; B26D 1/36; B26D 1/365; B26D 1/38; B26D 1/385; B26D 1/56; B26D 1/565; B26D 1/58; B26D 1/585; B26D 5/083; B26D 7/015; B26D

(Continued)

(56) **References Cited**

U.S. PATENT DOCUMENTS

D192,265 S * 2/1962 Crowle et al. D15/128
3,699,596 A * 10/1972 Lyon B42B 5/103
412/40

(Continued)

(57) **CLAIM**

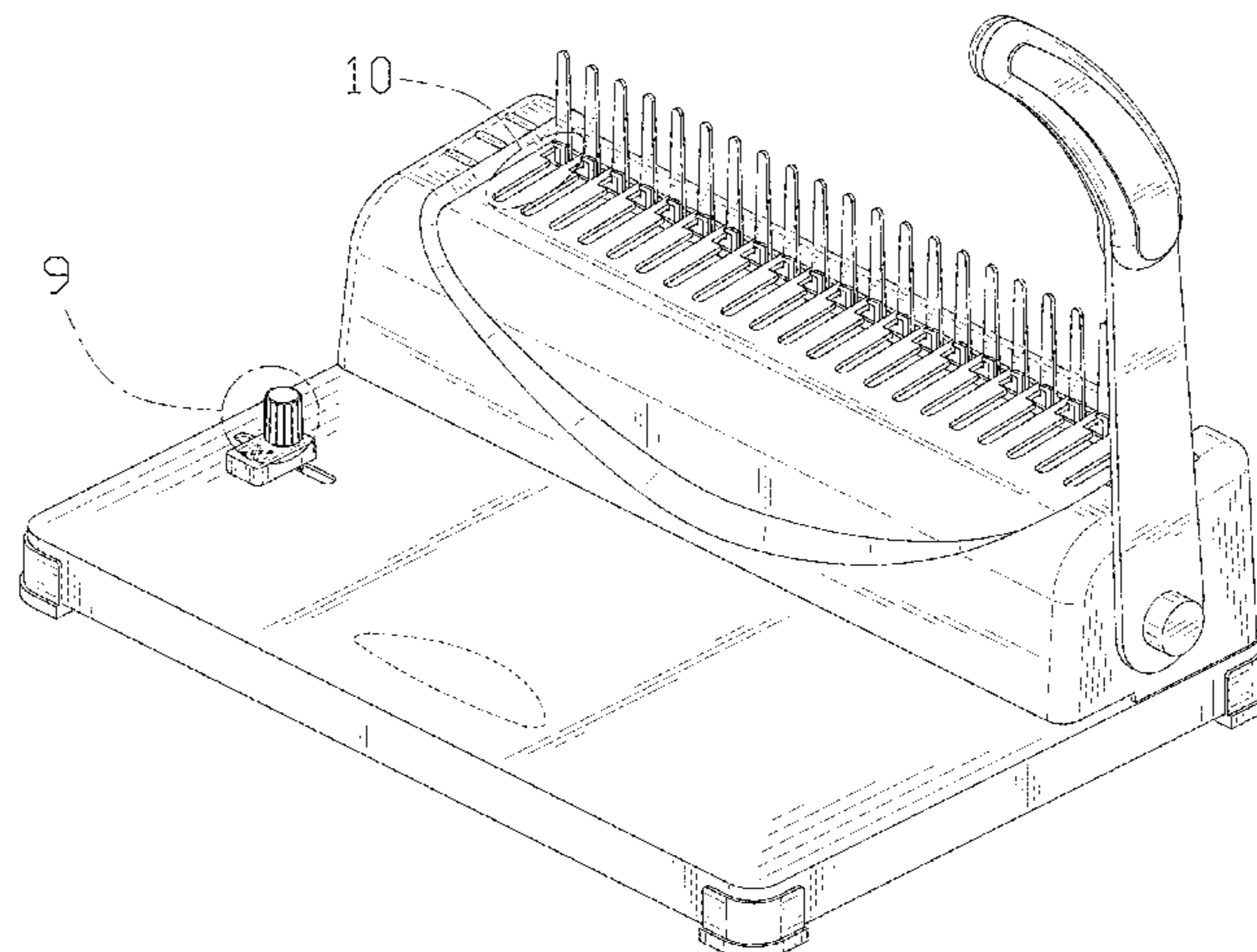
The ornamental design for a binding machine, as shown and described.

DESCRIPTION

FIG. 1 is a front, right, and top perspective view of a binding machine, showing my design.
FIG. 2 is a rear, left, and bottom perspective view thereof.
FIG. 3 is a front elevation view thereof.
FIG. 4 is a rear elevation view thereof.
FIG. 5 is a left side elevation view thereof.
FIG. 6 is a right side elevation view thereof.
FIG. 7 is a top plan view thereof.
FIG. 8 is a bottom plan view thereof.
FIG. 9 is an enlarged view of the area labeled 9 in FIG. 1; and,
FIG. 10 is an enlarged view of the area labeled 10 in FIG. 1.

The evenly spaced broken lines shown in the drawings depict portions of the binding machine that form no part of

(Continued)



the claimed design. The short-and-long dash broken lines indicating the enlargement portions of the design form no part of the claimed design.

1 Claim, 10 Drawing Sheets

D483,798	S	*	12/2003	Knight	D18/34.2
D497,939	S	*	11/2004	Henderson	D18/34.2
D544,525	S	*	6/2007	Beno	D18/34.2
D550,759	S	*	9/2007	Beno	D18/34.2
D778,353	S		2/2017	Hamayde		
2008/0164648	A1	*	7/2008	Knight	B42B 5/123 270/58.16

(58) **Field of Classification Search**

CPC 7/025; B26D 7/22; B26D 1/0006; B26D 5/16; B26D 7/2614; B23D 35/008; Y10T 83/7763; Y10T 83/8822; Y10T 83/885; Y10T 83/8851; Y10T 83/7507; Y10T 83/8874; Y10T 83/8814; Y10T 83/9493; Y10T 83/7533; Y10T 83/8821; Y10T 83/828; Y10T 83/872; Y10T 83/8841; Y10S 83/955; B42B 5/123

See application file for complete search history.

(56)

References Cited

U.S. PATENT DOCUMENTS

3,967,336	A	*	7/1976	Cutter	B42B 5/103 83/590
D261,529	S	*	10/1981	Hausmann	D18/34.2
D284,870	S	*	7/1986	Terracciano	D18/34.2
D287,511	S	*	12/1986	Scharer	D18/34.2
D296,115	S	*	6/1988	Scharer	D18/34.2
D358,834	S	*	5/1995	Cox	D18/34.2
D443,634	S		6/2001	Hefty		

FOREIGN PATENT DOCUMENTS

CN	3404487	*	11/2004
CN	3573452	*	10/2006
CN	301499752	*	3/2011
CN	302874438	*	7/2014
EM	000462510-0002	*	5/2006

OTHER PUBLICATIONS

Amazon. Link: https://www.amazon.com/MAKEASY-Binding-Machine-Bindings-Scrapbook/dp/B07N2HC76V/ref=psdc_1069556_t1_B086N8NXHR. Jan. 23, 2019. MAKEASY Comb Binding Machine. (Year: 2019).*

Amazon. Link: https://www.amazon.com/Binding-Machine-Letter-Capacity-Bindings/dp/B09L1B435K/ref=sr_1_4?crid=OJSBBTE7N8SE&keywords=B09L1B435K&qid=1660658886&s=office-products&sprefix=b09l1b435k%2Coffice-products%2C67&sr=1-4. Nov. 4, 2021. Comb Binding Machine. (Year: 2021).*

Amazon. Link: <https://www.amazon.com/Binding-Machines-Sheets-Machine-Colorful/dp/B07XJKMTD6>. Sep. 8, 2019. Bellissi Binding Machine. (Year: 2019).*

* cited by examiner

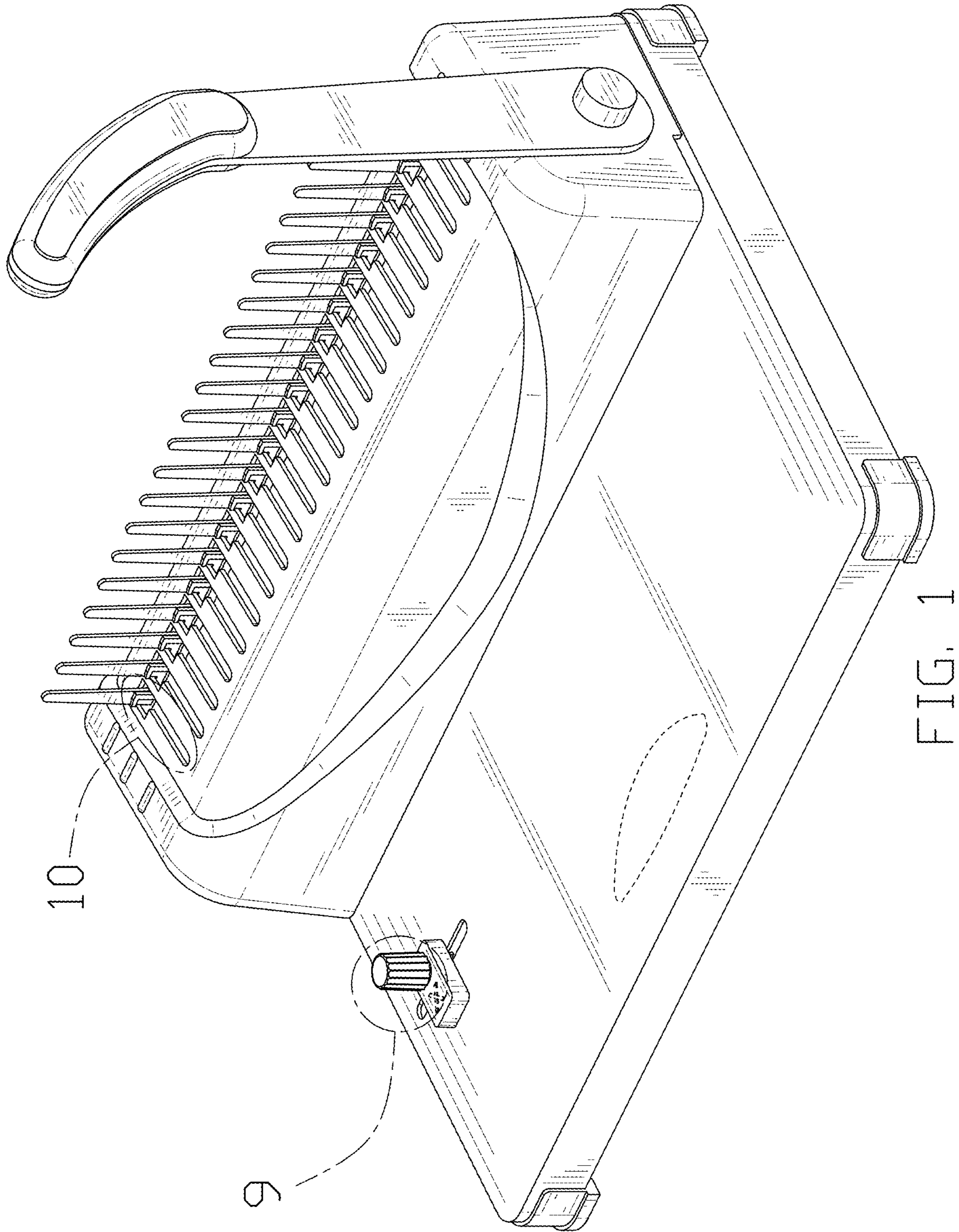


FIG. 1

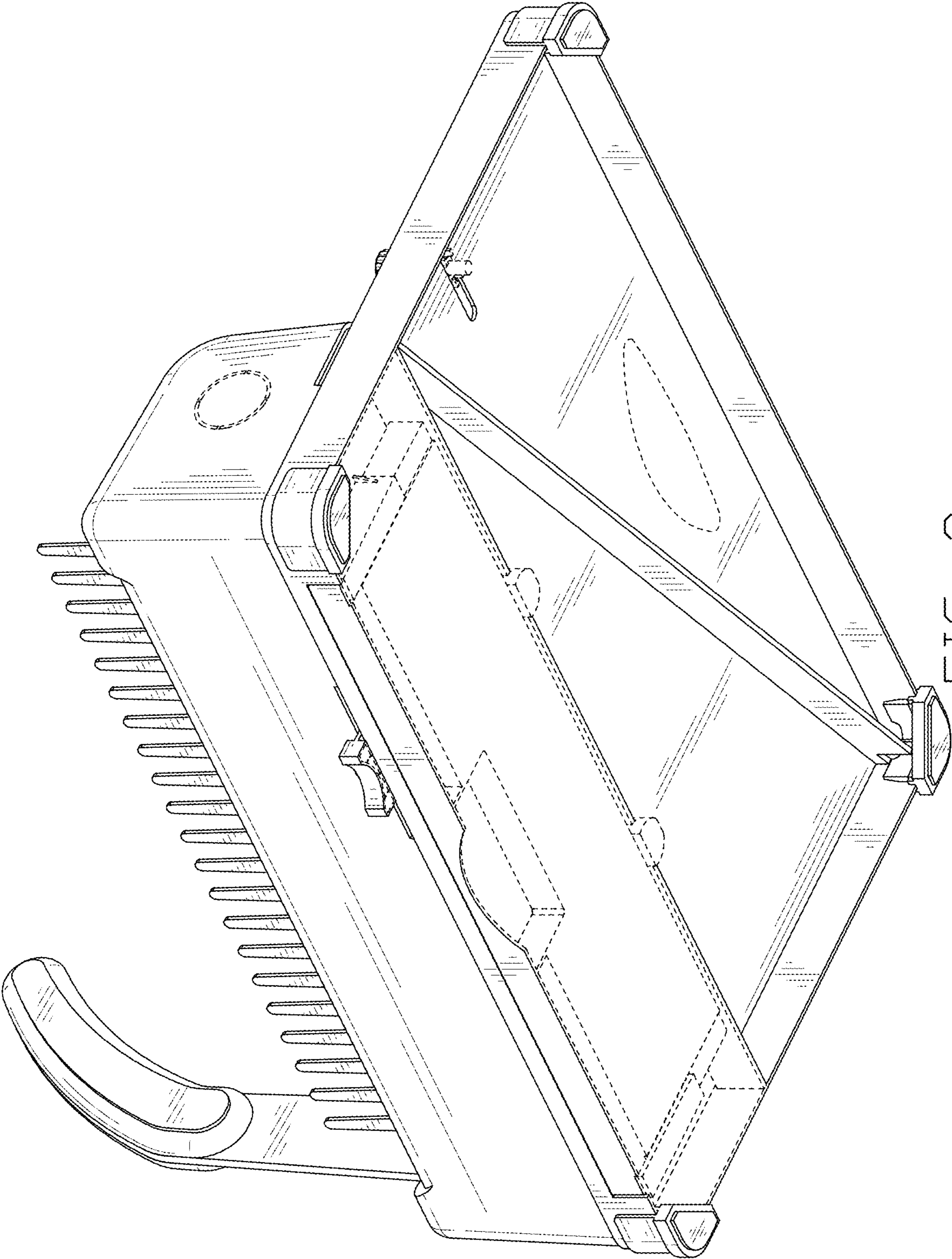


FIG. 2

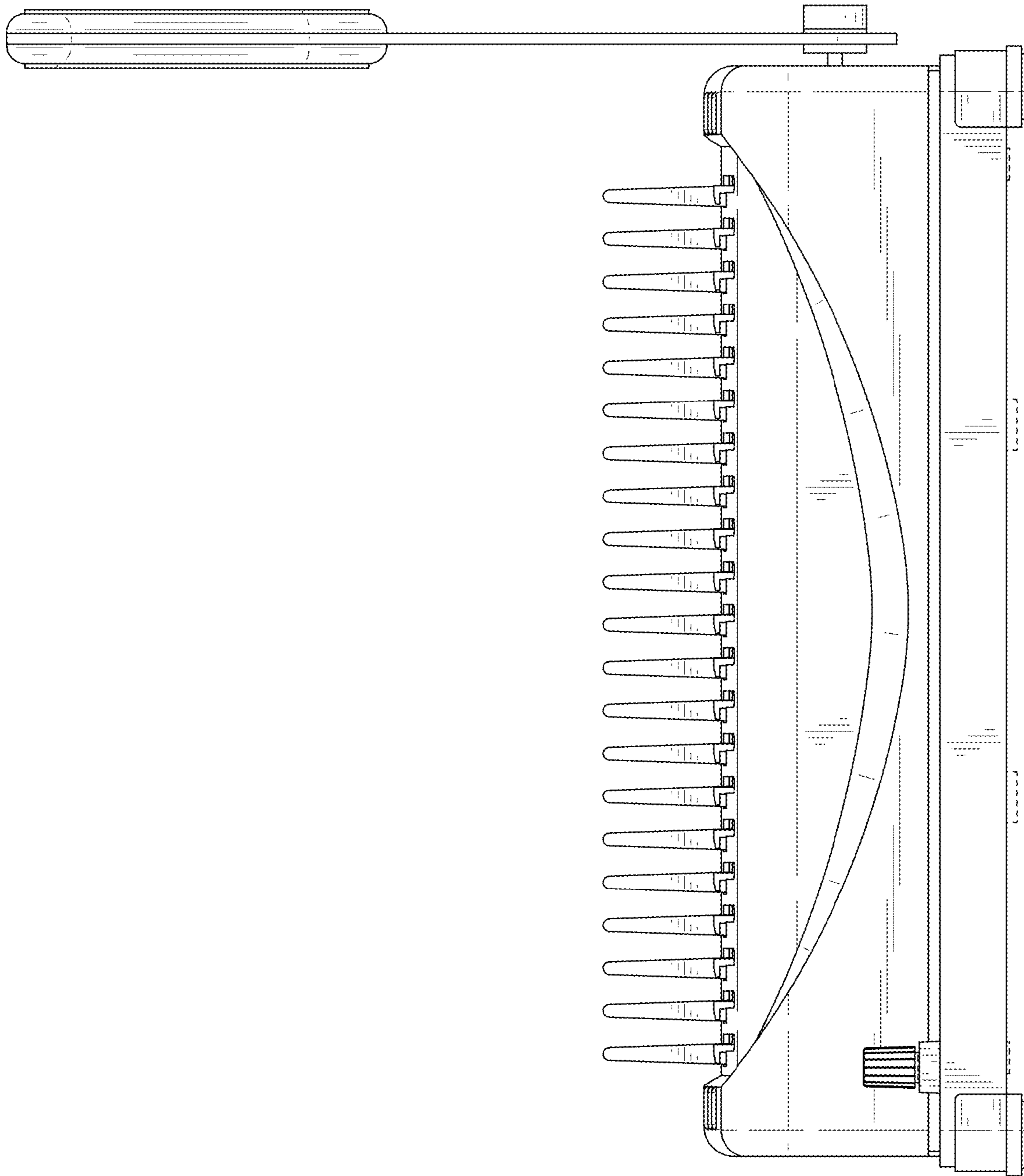


FIG. 3

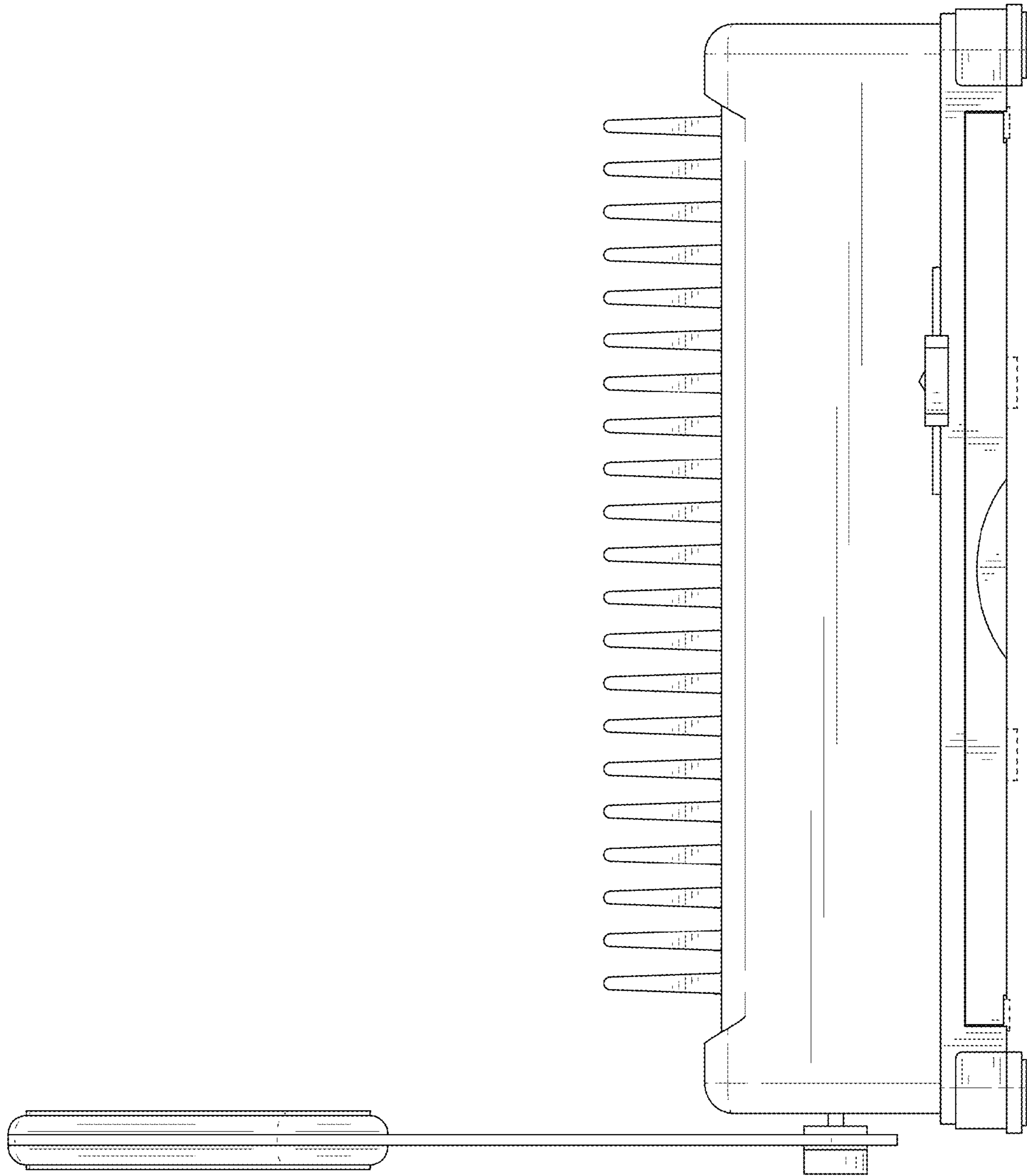


FIG. 4

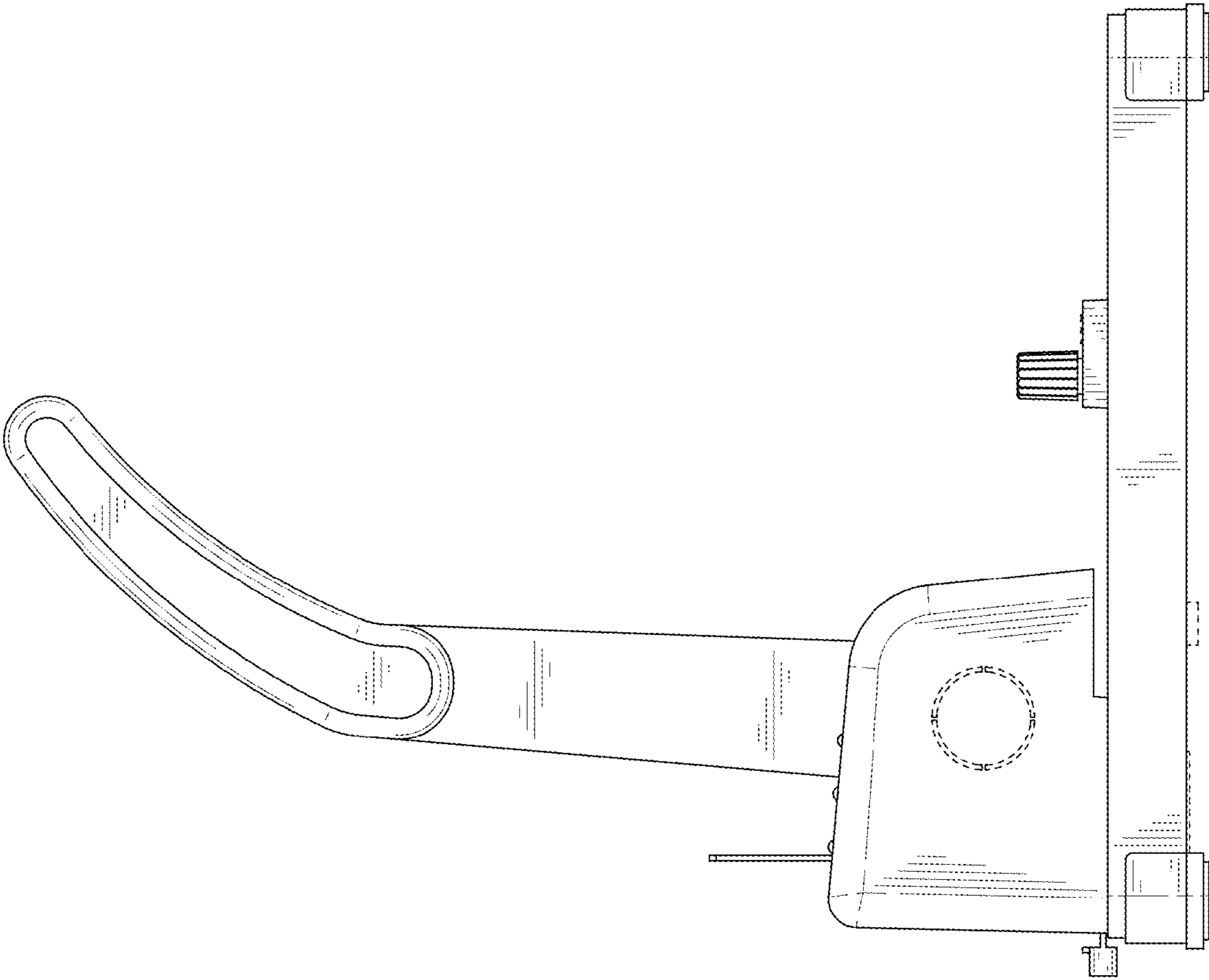


FIG. 5

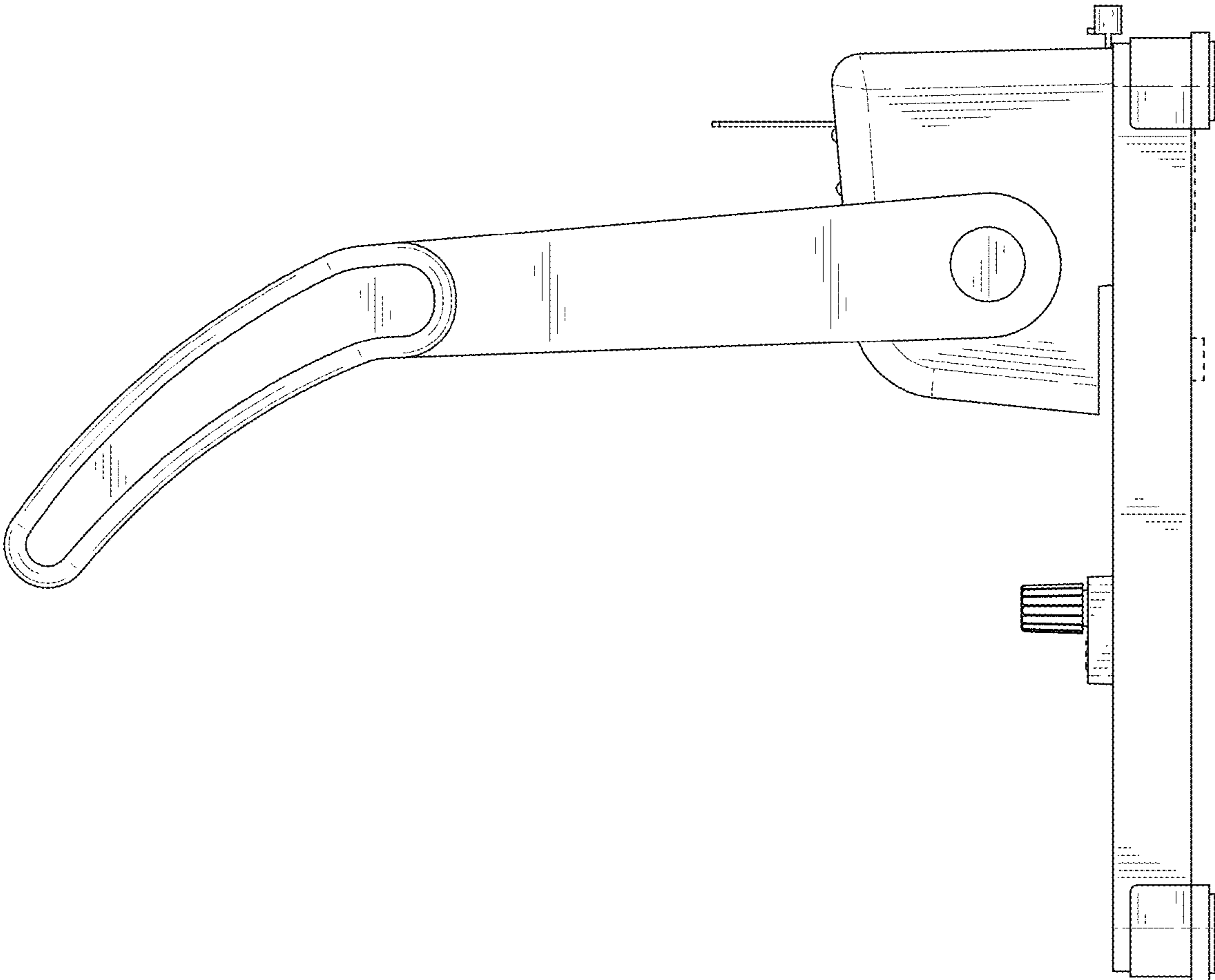


FIG. 6

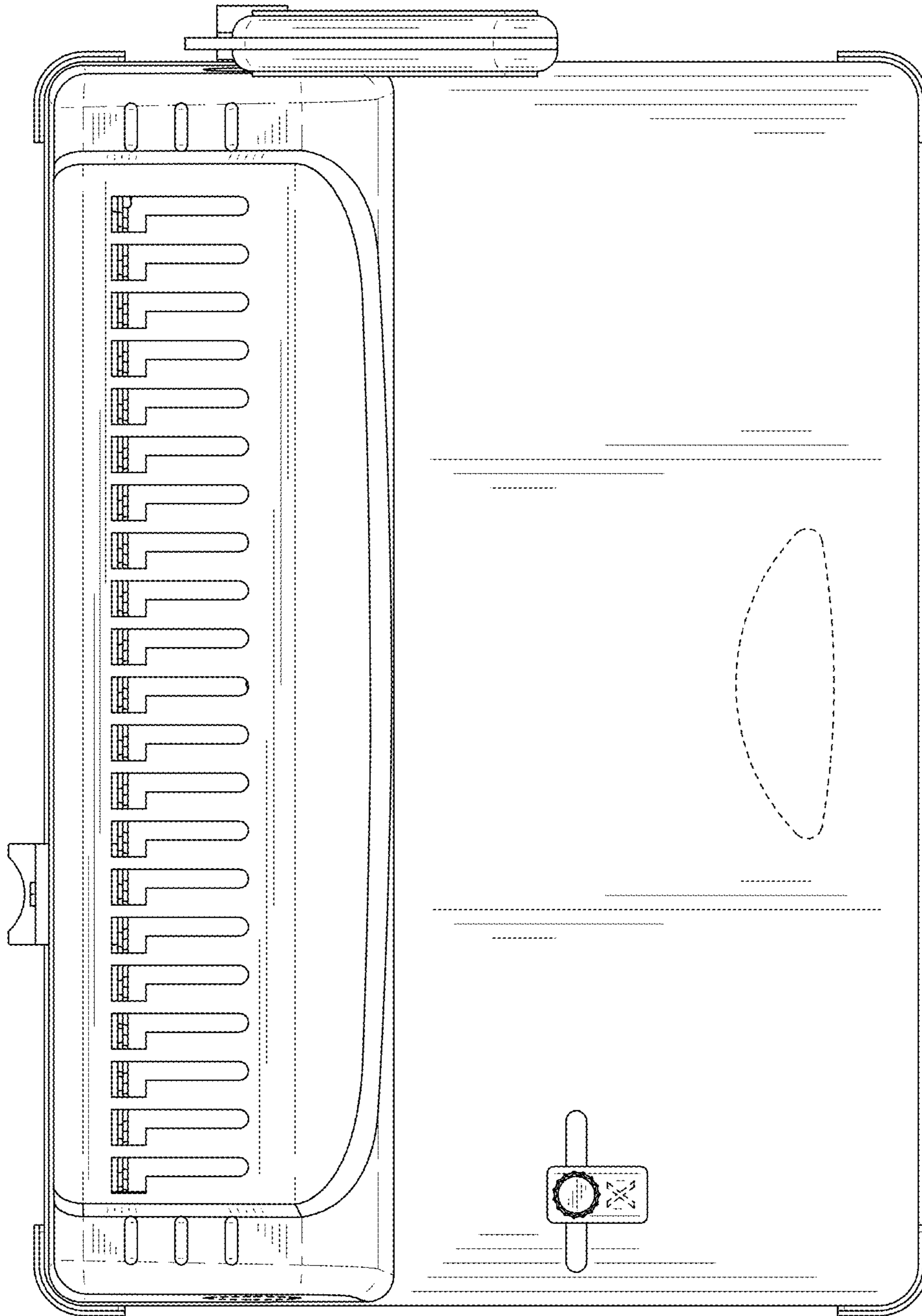


FIG. 7

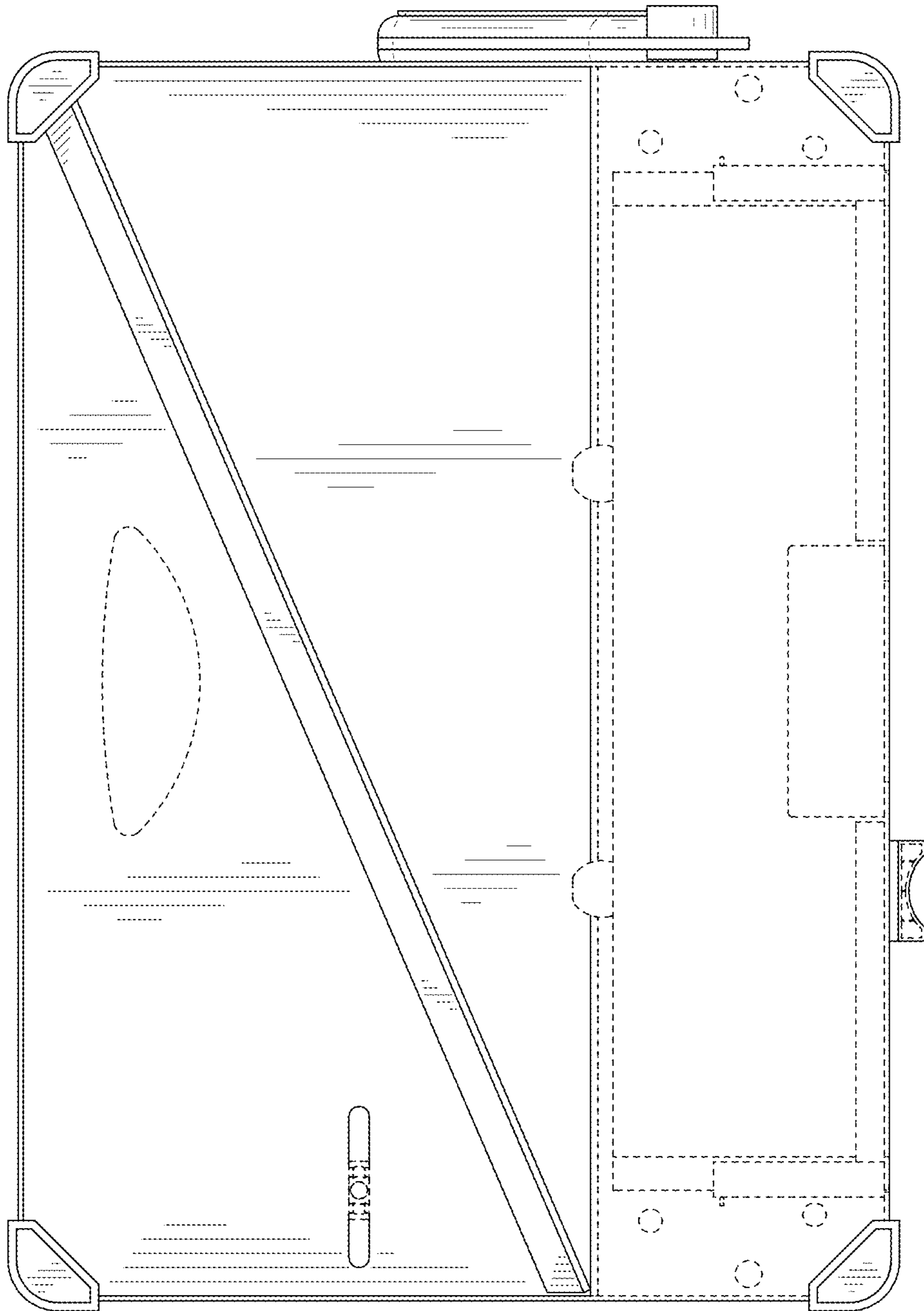


FIG. 8

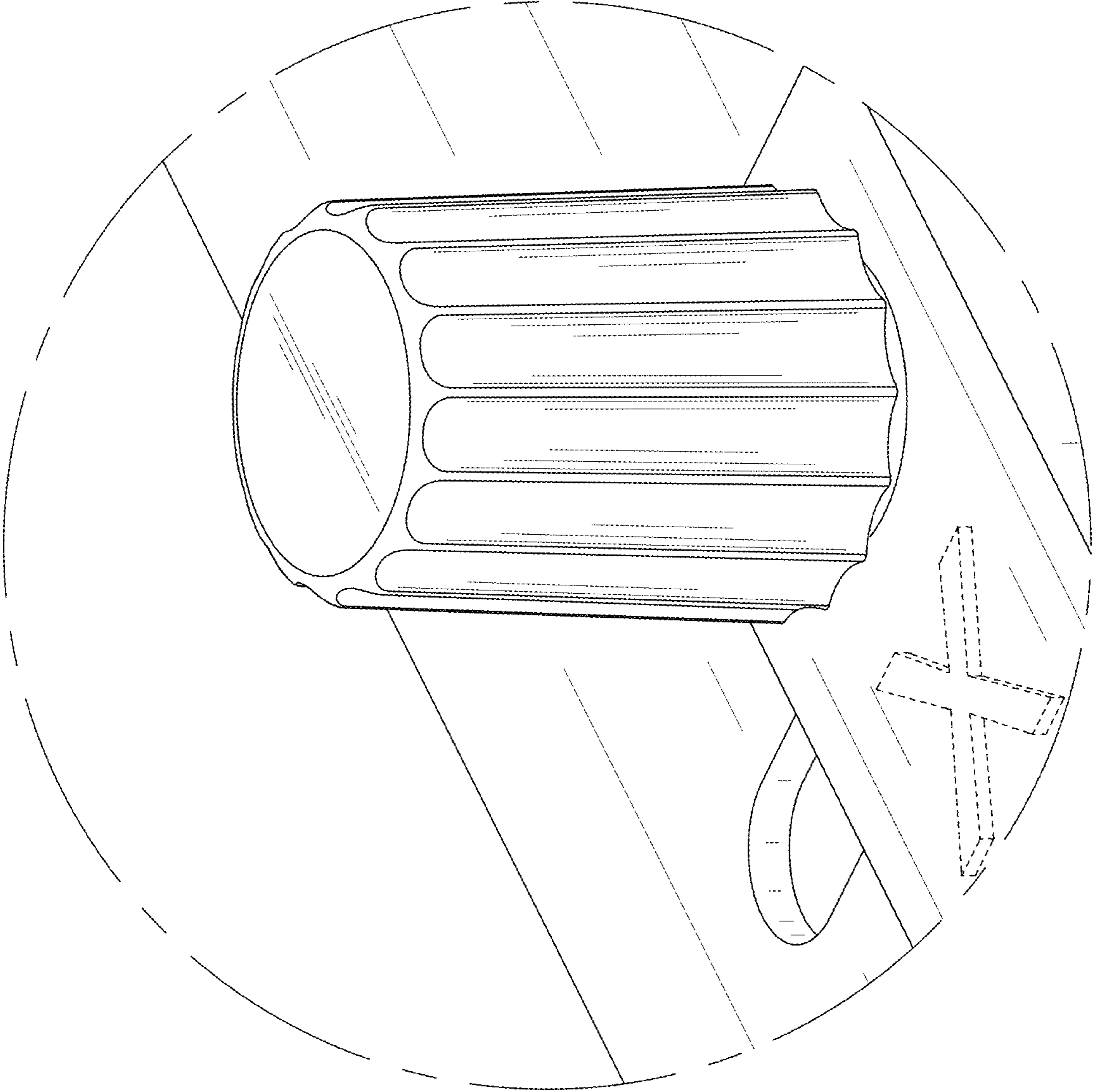


FIG. 9

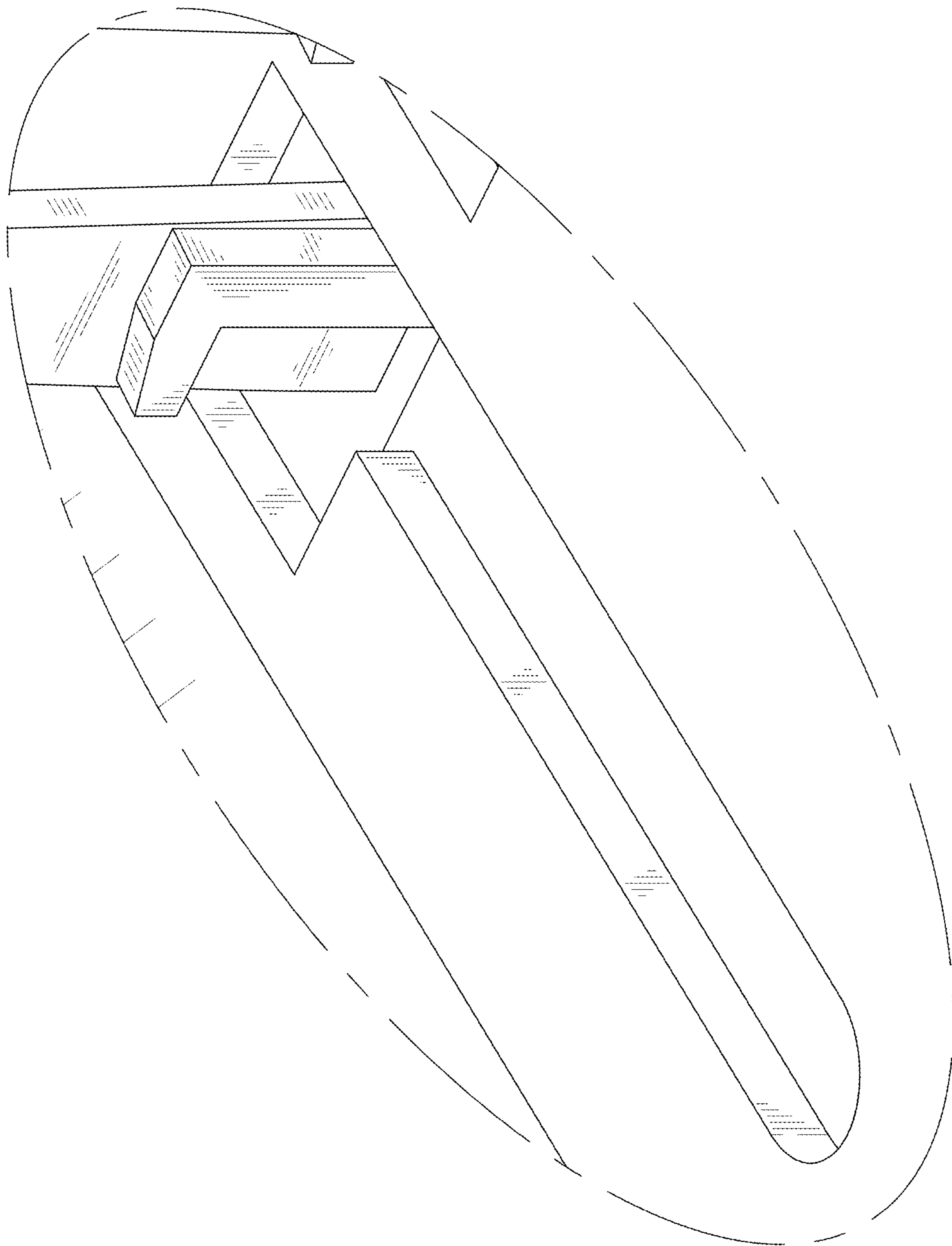


FIG. 10