



US00D974457S

(12) **United States Design Patent**
Zhang

(10) **Patent No.:** **US D974,457 S**
(45) **Date of Patent:** **** Jan. 3, 2023**

(54) **STEEL TONGUE DRUM**

FOREIGN PATENT DOCUMENTS

(71) Applicant: **Fan Zhang**, Jinzhou (CN)

WO WO-2017162203 A1 * 9/2017

(72) Inventor: **Fan Zhang**, Jinzhou (CN)

OTHER PUBLICATIONS

(**) Term: **15 Years**

Amazon.com. https://www.amazon.com/Steel-Tongue-Musical-Instrument-Indoor/dp/B09MQ32FWQ/ref=sr_1_139?crid=1CABX98YJY2NF&keywords=steel%2Btongue%2Bhand%2Bpan%2Bdrum&qid=1663012148&prefix=steel%2Btongue%2Bhand%2Bpan%2Bdrum%2Caps%2C59&sr=8-139&th=1. "Hand Pan Drum". Nov. 2021 (Year: 2021).*

(21) Appl. No.: **29/784,418**

(22) Filed: **May 19, 2021**

(51) **LOC (14) Cl.** **17-22**

(52) **U.S. Cl.**
USPC **D17/22**

(58) **Field of Classification Search**
USPC D17/22, 99; D21/405
CPC G10D 13/00; G10D 13/01; G10D 13/02;
G10D 13/03; G10D 13/063; G10D
13/065; G10D 13/08; G10D 13/10; G10D
13/14; G10D 13/20; G10D 99/00
See application file for complete search history.

* cited by examiner

Primary Examiner — R. Johnson

(74) *Attorney, Agent, or Firm* — Sandy Lipkin

(57) **CLAIM**

The ornamental design for a steel tongue drum, as shown and described.

(56) **References Cited**

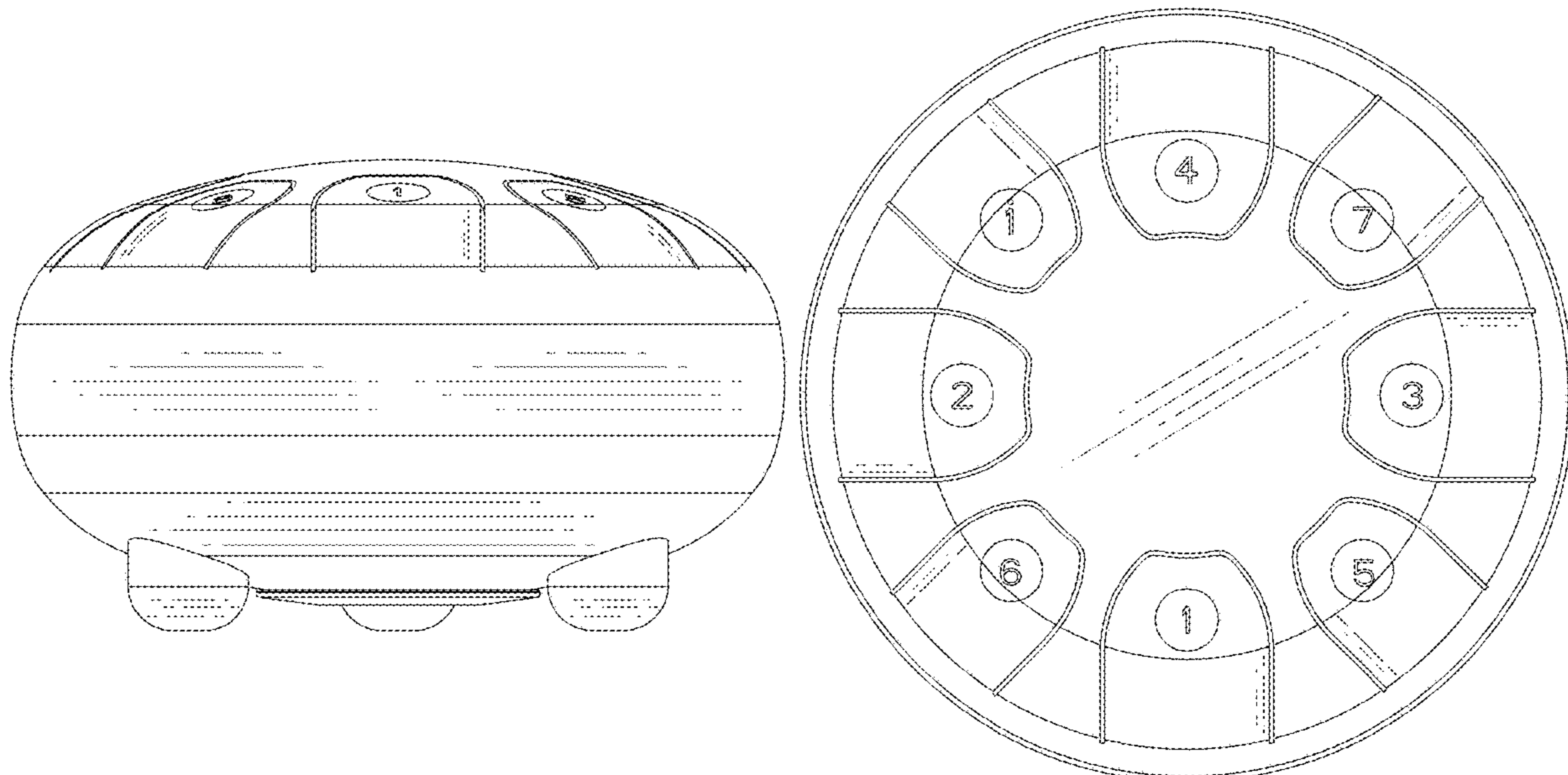
DESCRIPTION

U.S. PATENT DOCUMENTS

D885,478 S *	5/2020	Chen	D17/22
D897,420 S *	9/2020	Chen	D17/22
D908,168 S *	1/2021	Chen	D17/22
D915,501 S *	4/2021	Yang	D17/22
D941,386 S *	1/2022	Chen	D17/22
D943,659 S *	2/2022	Yang	D17/22
D954,143 S *	6/2022	Qiu	D17/22
D961,666 S *	8/2022	Wang	D17/22
D961,667 S *	8/2022	Wang	D17/22
2015/0364121 A1 *	12/2015	Güngör	G10D 13/08 84/411 R

FIG. 1 is a front view of a steel tongue drum, showing my new design;
FIG. 2 is a top plan view thereof;
FIG. 3 is a bottom plan view thereof;
FIG. 4 is a rear elevational view thereof;
FIG. 5 is a left elevational view thereof;
FIG. 6 is a right elevational view thereof; and,
FIG. 7 is a perspective view thereof.

1 Claim, 7 Drawing Sheets



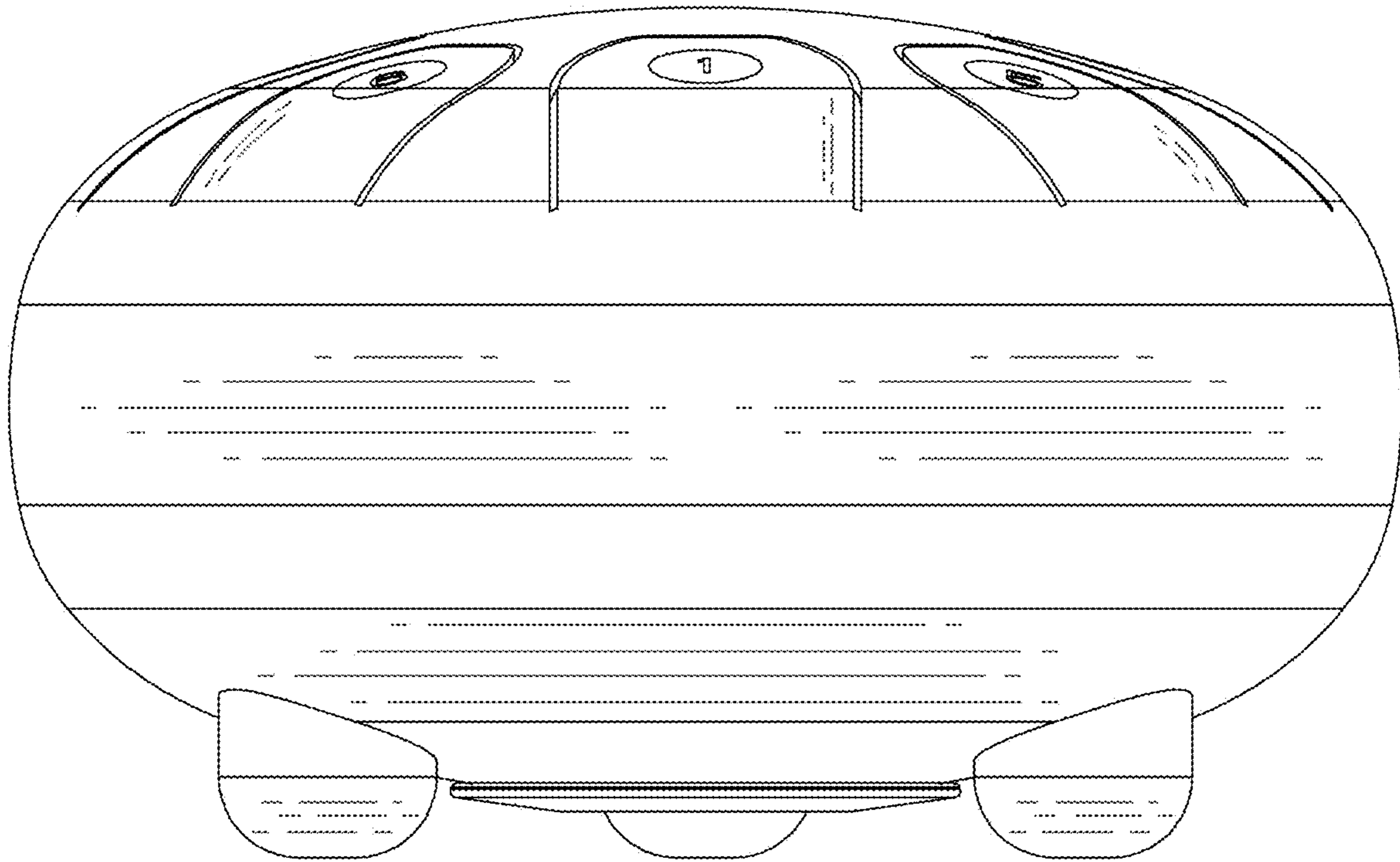


FIG. 1

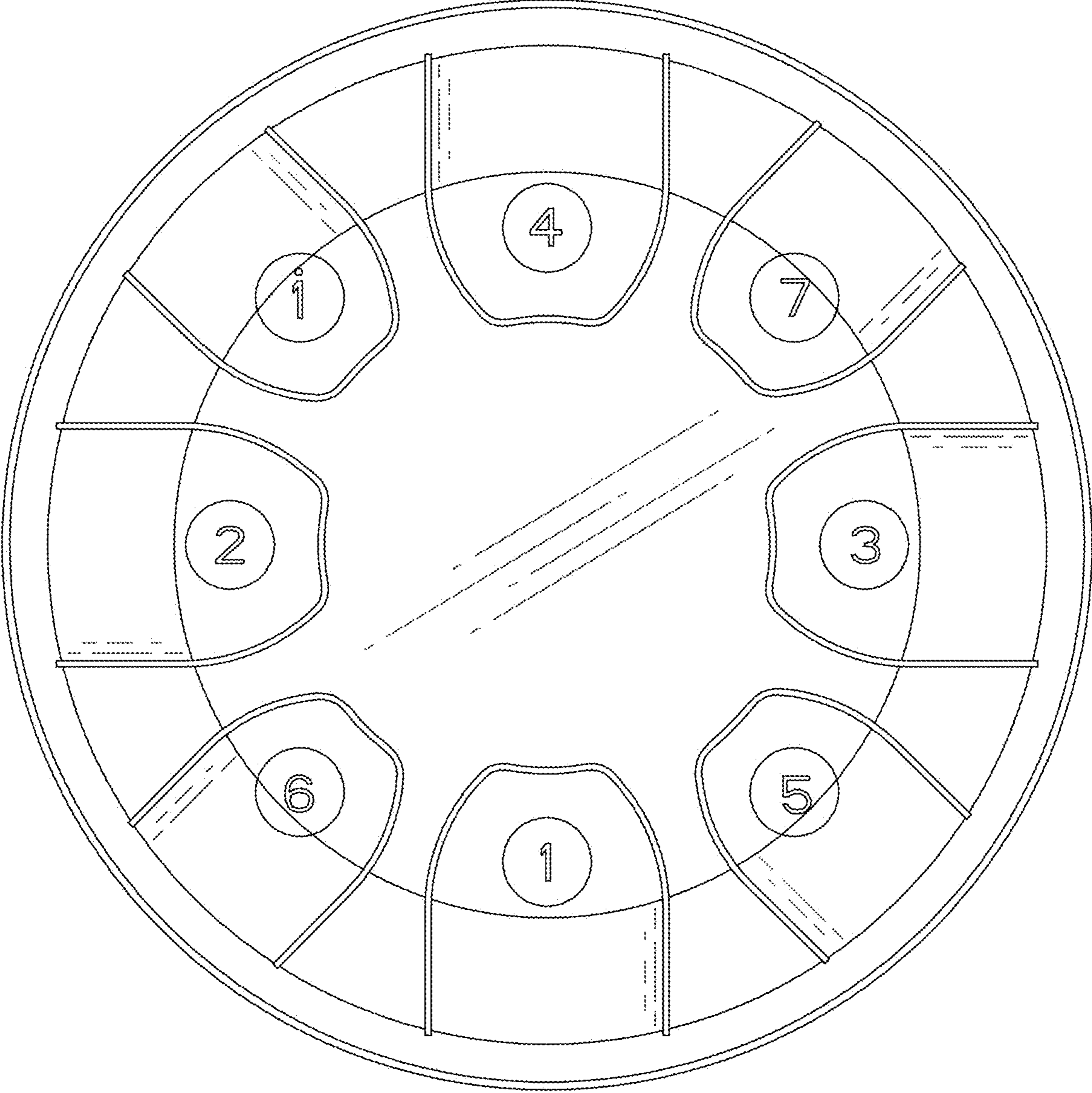


FIG. 2

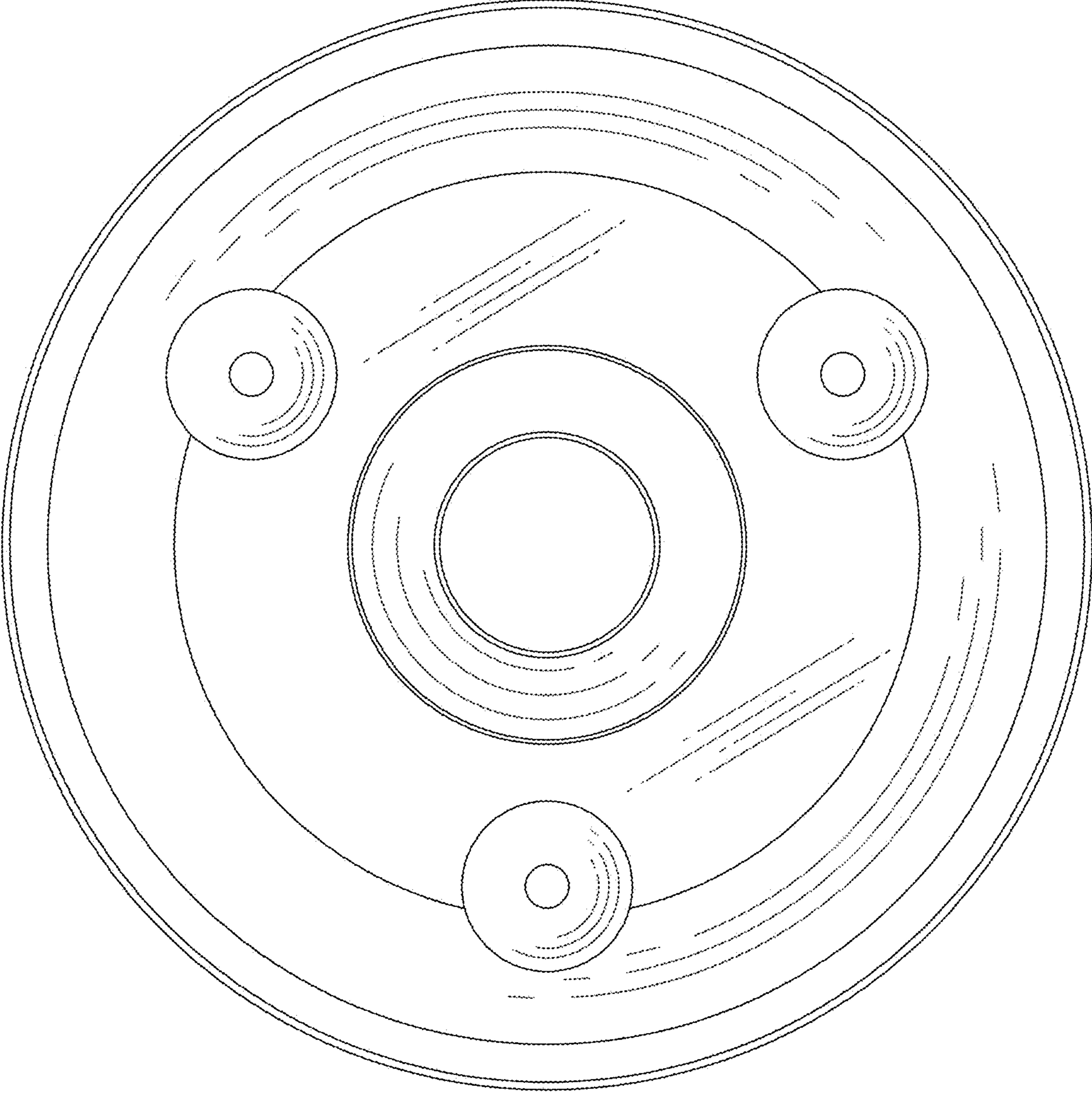


FIG. 3

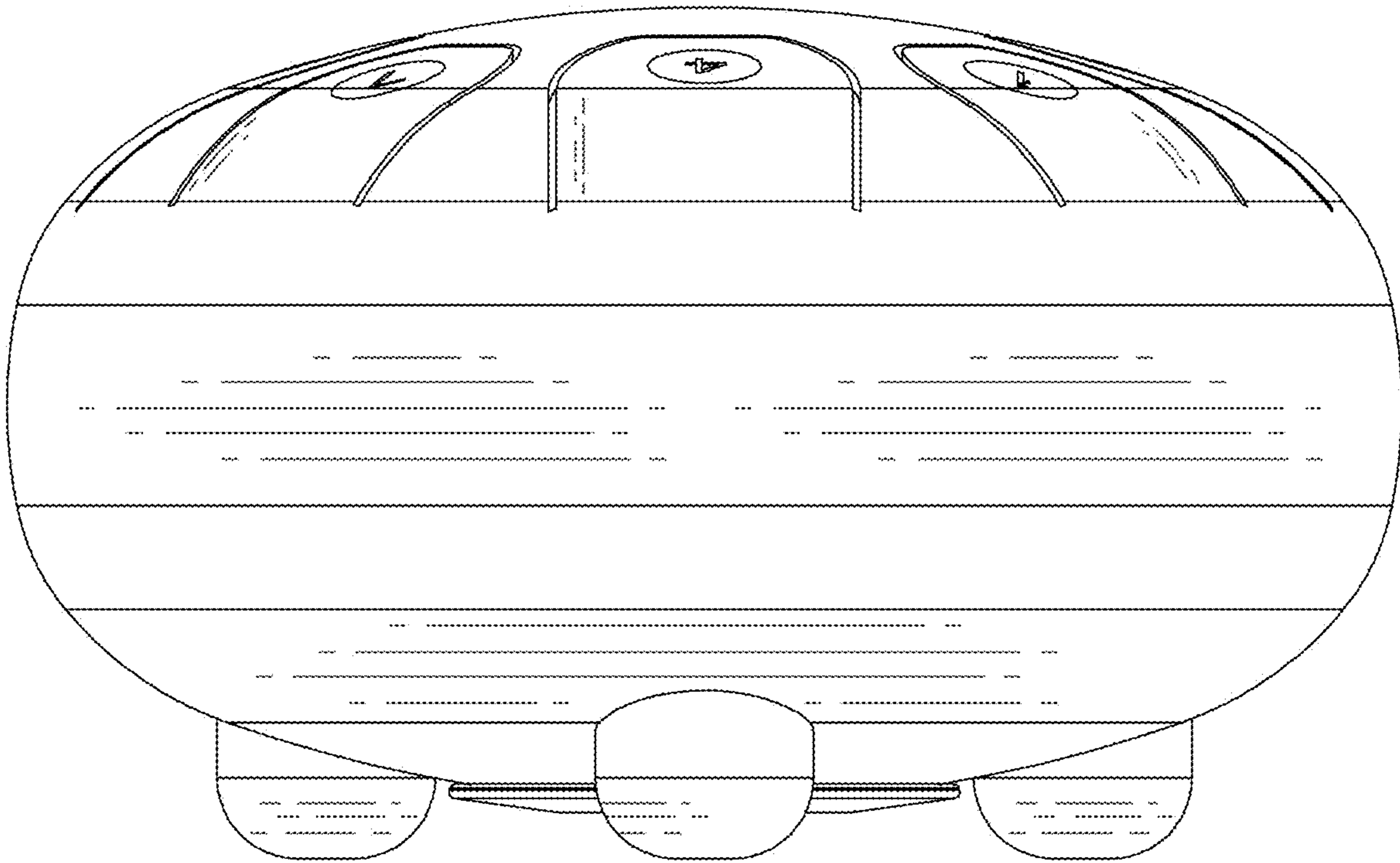


FIG. 4

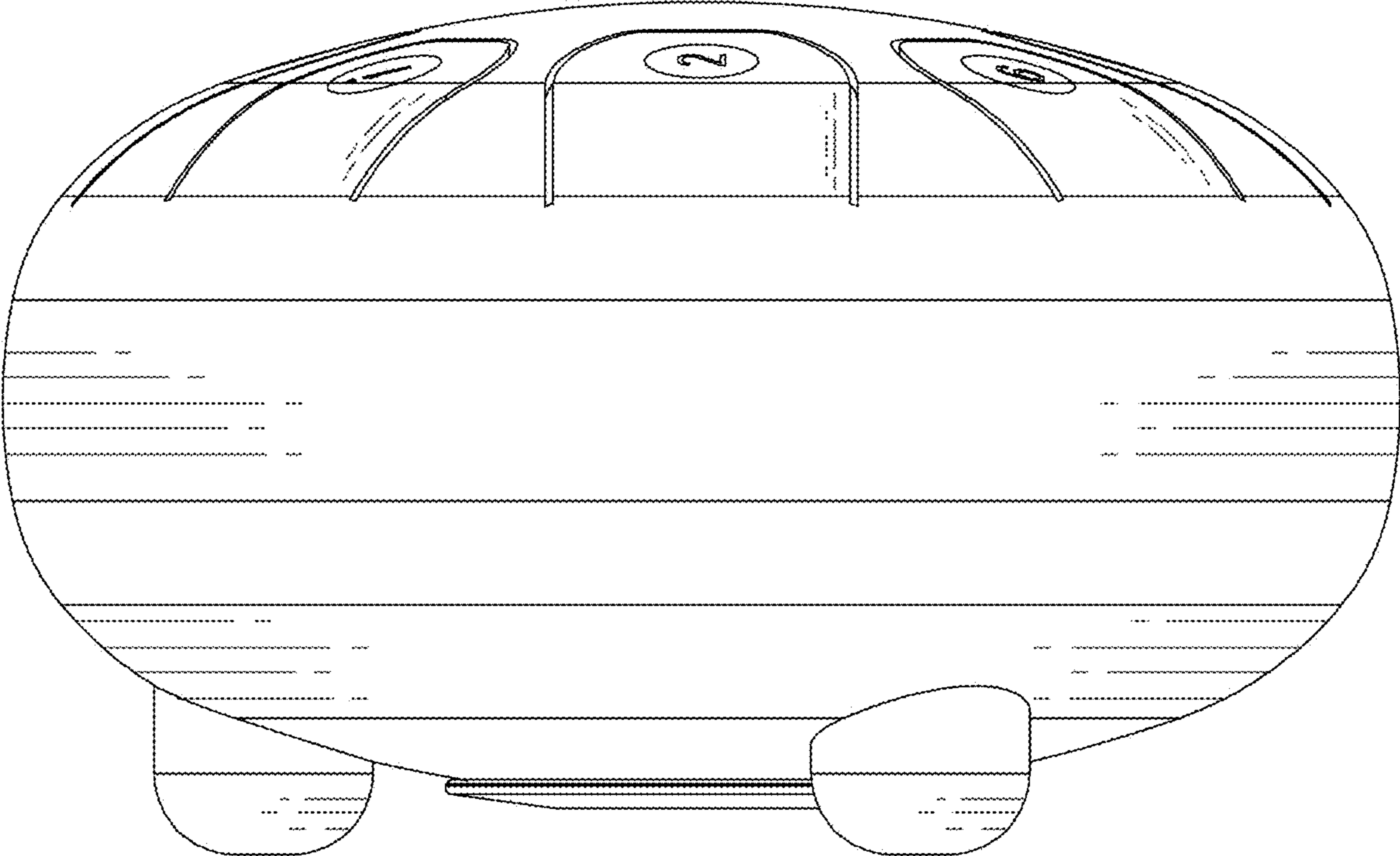


FIG. 5

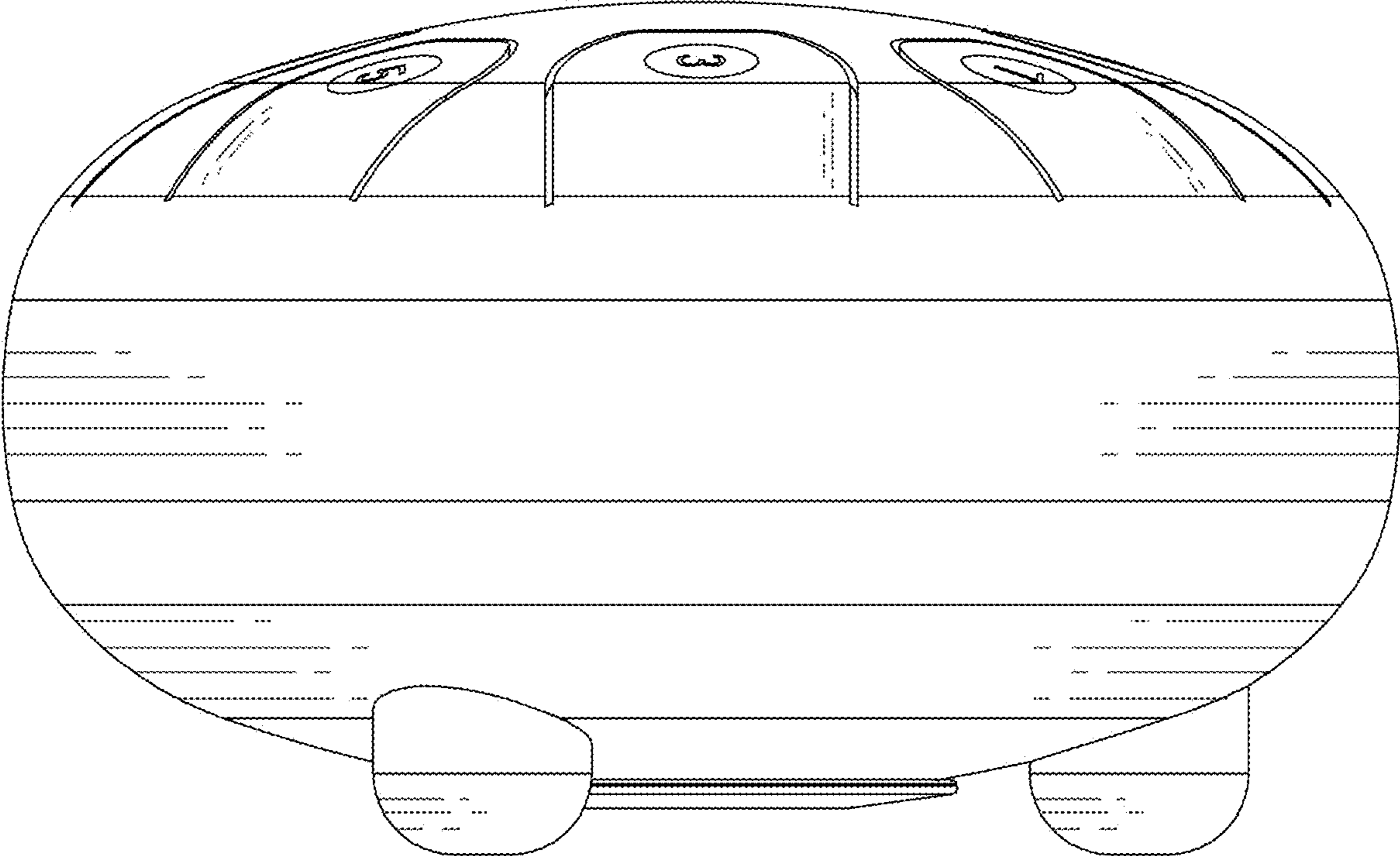


FIG. 6

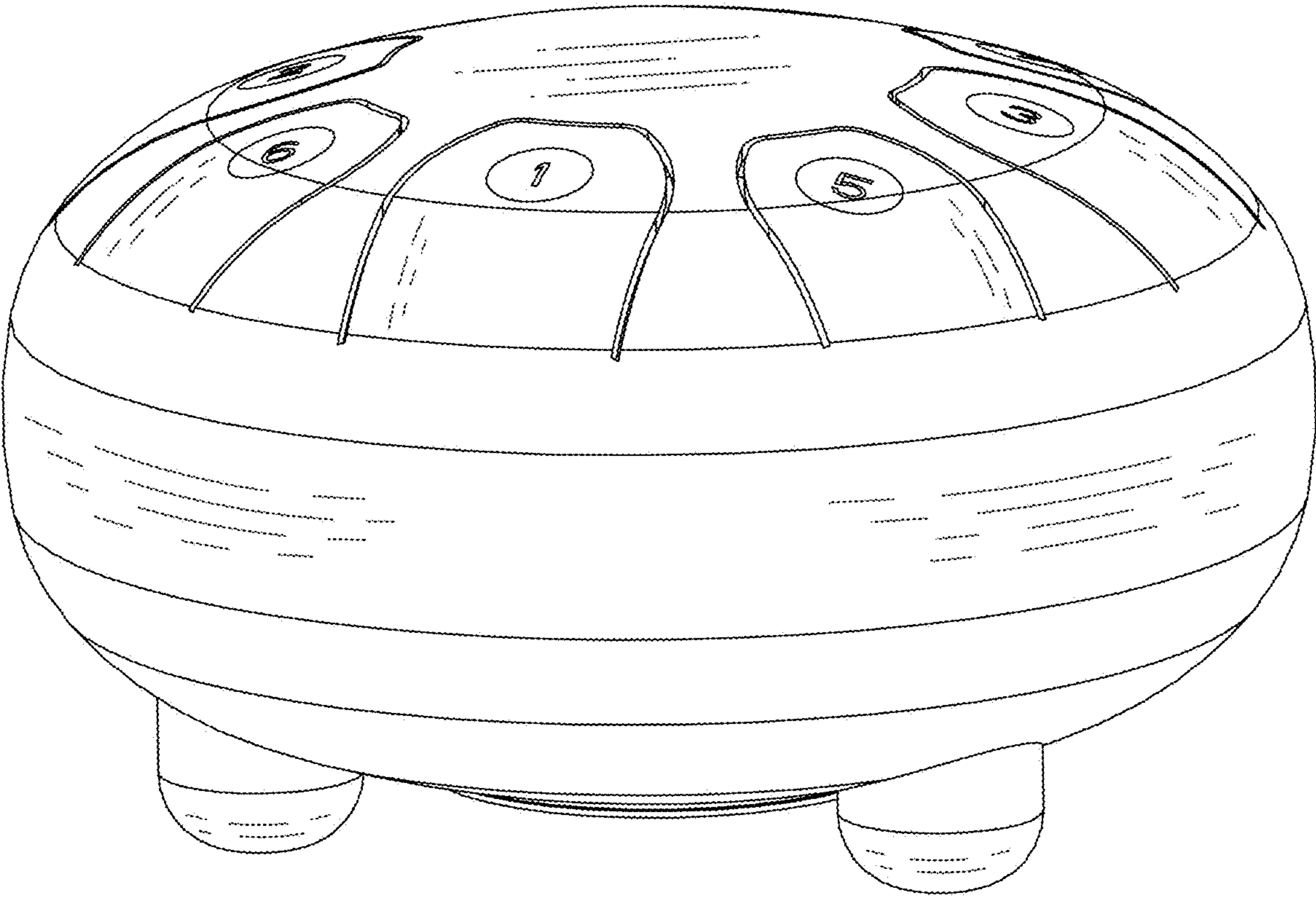


FIG. 7