



US00D974456S

(12) **United States Design Patent**
Cohen et al.

(10) **Patent No.:** **US D974,456 S**
(45) **Date of Patent:** **** Jan. 3, 2023**

(54) **PIVOT HINGES AND SMARTGLASSES
TEMPLES**

&source=Inms&tbn=isch&sa=X&ved=2ahUKEwiCsYTLt6v1AhXrqXIEHdpDD7kQ_AUoBHoECAEQBg&biw=1200&bih=1777&dpr=1 (Year: 2022).*

(71) Applicant: **Lucyd Ltd.**, London (GB)

(Continued)

(72) Inventors: **David Cohen**, Aventura, FL (US);
Clifford Gross, Miami, FL (US);
Harrison Gross, North Miami, FL (US)

Primary Examiner — Sanjeev Paul
(74) *Attorney, Agent, or Firm* — Ellenoff Grossman & Schole LLP; Danielle Cohen; John C. Stellabotte

(73) Assignee: **Lucyd Ltd.**, London (GB)

(57) **CLAIM**

(**) Term: **15 Years**

The ornamental design for pivot hinges and smartglasses temples, as shown and described.

(21) Appl. No.: **29/717,884**

DESCRIPTION

(22) Filed: **Dec. 19, 2019**

(51) **LOC (14) Cl.** **16-06**

(52) **U.S. Cl.**
USPC **D16/335**

(58) **Field of Classification Search**
USPC D16/100, 101, 300, 303, 309, 310, 311,
D16/313–315, 321, 335, 336
See application file for complete search history.

FIG. 1 is a front top perspective view of pivot hinges and smartglasses temples showing the temples attached to the pivot hinges showing our new design;
FIG. 2 is a rear view thereof;
FIG. 3 is a side right view thereof;
FIG. 4 is a side left view thereof;
FIG. 5 is top view thereof;
FIG. 6 is a bottom view thereof;
FIG. 7 is a front view of the temples shown separated for ease of understanding;
FIG. 8 is a rear view of the pivot hinges shown separated for ease of understanding;
FIG. 9 is a right side view of the pivot hinges and smartglasses temples showing the temples detached from the front frame for ease of understanding;
FIG. 10 is a left side view of the showing the temples detached from the pivot hinges for ease of understanding thereof;
FIG. 11 is top view showing the temples detached from the pivot hinges for ease of understanding; and,
FIG. 12 is a bottom view showing the temples detached from the pivot hinges for ease of understanding.
The broken lines in the drawings are for the purpose of illustrating unclaimed portions of the pivot hinges and smartglasses temples and form no part of the claimed design.

(56) **References Cited**

U.S. PATENT DOCUMENTS

D207,919 S * 6/1967 Fai D16/309
4,904,078 A 2/1990 Gorike
D645,492 S * 9/2011 Zhao D16/309

(Continued)

FOREIGN PATENT DOCUMENTS

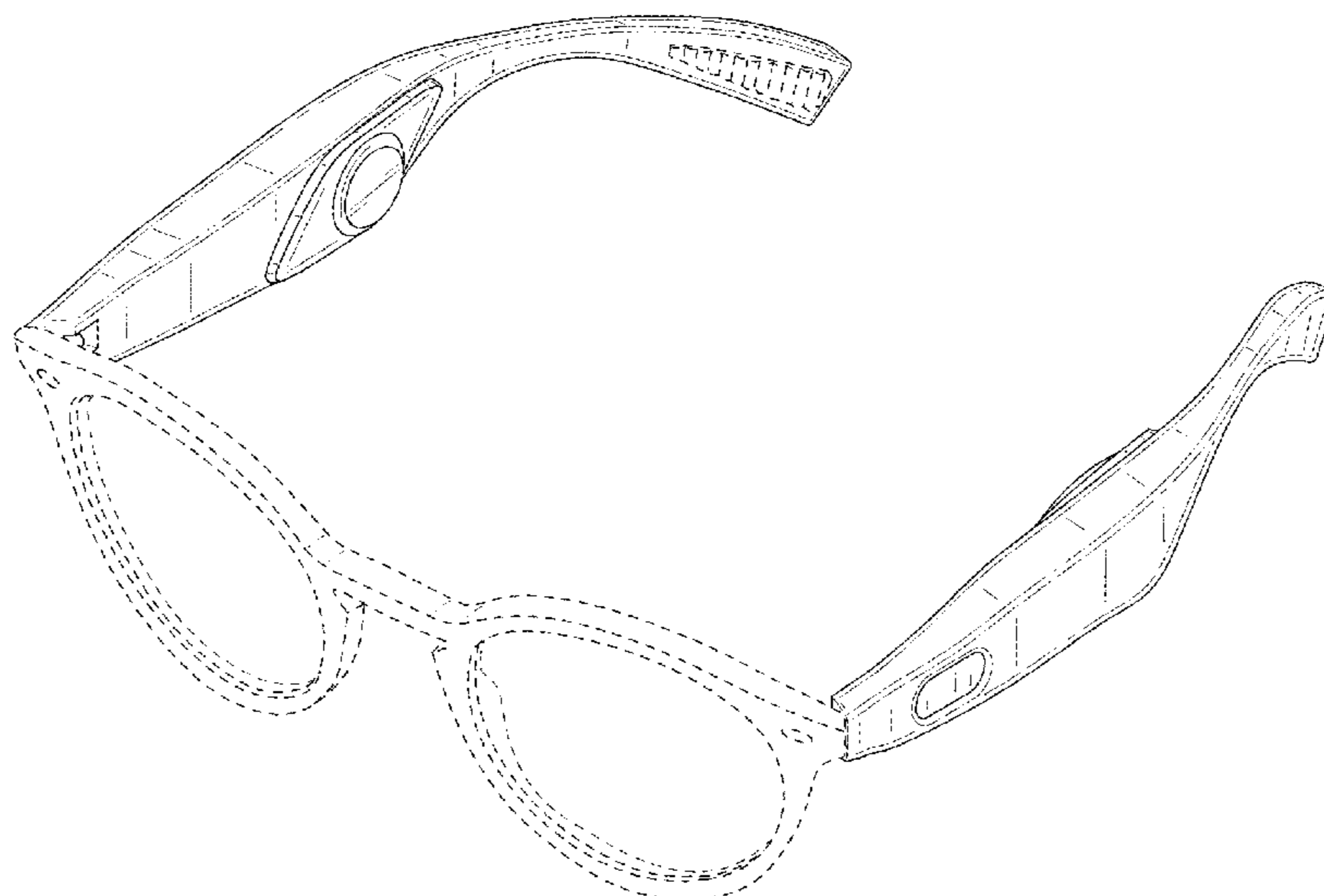
CN 103309226 A 9/2013
CN 203313378 U 11/2013

(Continued)

OTHER PUBLICATIONS

Google search: “smart glasses” [site visited Jan. 12, 2022]: <https://www.google.com/search?q=smart+glasses&sxsrf=AOaemvJXCjKwn3r3Zh7-qK2QCwc-NnsguQ:1641963738712>

1 Claim, 9 Drawing Sheets



(56)

References Cited

OTHER PUBLICATIONS

U.S. PATENT DOCUMENTS

D645,493	S	*	9/2011	Zhao	D16/309
D671,590	S	*	11/2012	Klinar	D16/309
D710,928	S	*	8/2014	Heinrich	D16/300
D718,305	S	*	11/2014	Olsson	D14/372
D719,568	S	*	12/2014	Heinrich	D14/372
D719,569	S	*	12/2014	Heinrich	D14/372
D719,570	S	*	12/2014	Heinrich	D14/372
9,201,578	B2		12/2015	Scott et al.		
9,253,806	B2		2/2016	Choi et al.		
9,277,159	B2		3/2016	Shin et al.		
9,535,497	B2		1/2017	Rose et al.		
9,589,390	B2		3/2017	DeStories et al.		
D792,400	S	*	7/2017	Osterhout	D14/372
D810,182	S	*	2/2018	Porter	D16/309
D814,552	S	*	4/2018	Cox	D16/309
D823,373	S	*	7/2018	Hong	D16/309
10,037,084	B2		7/2018	Joo		
D864,959	S	*	10/2019	Osterhout	D14/372
D865,040	S	*	10/2019	Schaal	D16/309
D865,041	S	*	10/2019	Schaal	D16/309
D898,810	S	*	10/2020	Liu	D16/309
D899,493	S	*	10/2020	Cohen	D16/309
D899,494	S	*	10/2020	Cohen	D16/309
D899,495	S	*	10/2020	Cohen	D16/309
D899,496	S	*	10/2020	Cohen	D16/309
D899,497	S	*	10/2020	Cohen	D16/309
D899,498	S	*	10/2020	Cohen	D16/309
D899,499	S	*	10/2020	Cohen	D16/309
D899,500	S	*	10/2020	Cohen	D16/309
D900,203	S	*	10/2020	Cohen	D16/309
D900,204	S	*	10/2020	Cohen	D16/309
D900,205	S	*	10/2020	Cohen	D16/309
D900,206	S	*	10/2020	Cohen	D16/309
D900,920	S	*	11/2020	Cohen	D16/309
D923,006	S	*	6/2021	Villalpando	D14/372
D923,690	S	*	6/2021	Storey	D16/309
D923,691	S	*	6/2021	Green	D16/309
D923,692	S	*	6/2021	Green	D16/309
D927,586	S	*	8/2021	Su et al.		
D936,131	S	*	11/2021	Su	D16/309
D936,132	S	*	11/2021	Su	D16/309
D954,135	S	*	6/2022	Cohen	D16/309
D954,136	S	*	6/2022	Cohen	D16/309
D955,467	S	*	6/2022	Cohen	D16/309
2007/0220108	A1		9/2007	Whitaker		
2009/0097688	A1		4/2009	Lewis		
2012/0004919	A1		1/2012	Muth		
2012/0200499	A1		8/2012	Osterhout et al.		
2013/0177194	A1		7/2013	Han et al.		
2014/0140531	A1		5/2014	Lee et al.		
2014/0336781	A1		11/2014	Katyal et al.		
2015/0100621	A1		4/2015	Pan		
2015/0358614	A1		12/2015	Jin		
2015/0379896	A1		12/2015	Yang et al.		
2016/0026253	A1		1/2016	Bradski et al.		
2016/0070439	A1		3/2016	Bostick et al.		
2016/0078512	A1		3/2016	Yopp et al.		
2017/0103440	A1		4/2017	Xing et al.		
2018/0144554	A1		5/2018	Watola et al.		
2018/0284483	A1*		10/2018	Floyd	G02B 3/14
2020/0026100	A1*		1/2020	Penberthy, Jr.	G02C 5/14
2021/0082011	A1*		3/2021	Cohen	G06F 3/011

FOREIGN PATENT DOCUMENTS

CN	105354161	A	2/2016
CN	103713737		1/2017
EP	2739055	A1	6/2014
JP	D1684381	*	4/2021
JP	D1684382	*	4/2021
WO	2013171731	A1	11/2013
WO	2017031033	A1	2/2017
WO	2017096099	A1	6/2017
WO	2018059934	A1	4/2018

Lucyd Sunbeam, earliest pictured review 2021, [online], [site visited Jan. 11, 2022]. Available from Internet, <URL:https://www.lucyd.co/> (Year: 2022).*

Bose Frames Audio Sunglasses, Black. Online. Internet. Accessed Sep. 27, 2019. https://www.amazon.com/Bose-Frames-Audio-Sunglasses-Black/dp/B07P7VVCDD/ref=asc_df_B07P7VVCDD/?tag=hyprod-20&linkCode=df0&hvadid

Amazon Smart Bluetooth Headset Glasses, Detachable Outdoor Car Universal HD Polarized Sunglasses for Driving, Outdoor Fish . . . Online. Internet. Accessed Oct. 1, 2019. <https://www.amazon.com/Smart-Bluetooth-Detachable-Universal-Sunglasses/dp/B07QHS5G9M>.

Amazon Kodak Prescription Eyeglasses Alien 5 Bone Conduction Glasses Blue Ray Filtering Wireless Bluetooth 4.1 Headphones Myopia Hyperopia Astigmatism Waterproof for IOS Android (Bright Black Frame). Online. Internet. Accessed Oct. 1, 2019. https://www.amazon.com/Prescription-Eyeglasses-Conduction-Headphones-Astigmatism/dp/B07NTDJ9N7/ref=sr_1_3?keywords=smart+glasses+pre

Amazon Duco Sunglasses for Men Over Glasses Sunglasses for Women Polarized Sunglasses 8953. Online. Internet. Accessed Sep. 27, 2019. https://www.amazon.com/dp/B07MZ2CT99?ref=ams_ad_dp_ovrl.

Hadar, et al. "Working Memory Load Affects Processing Time in Spoken Word Recognition: Evidence from Eye-Movements." *Frontiers in Neuroscience*, May 19, 2016.

Jones, Skott E. "Adult Word Learning as a Function of Neighborhood Density." *Languages*, Mar. 6, 2018.

Proof of Concept Optical Engineering, LLC. "Review of Smartglasses Demonstrated at CES 2018." Jan. 17, 2018.

WaveOptics Ltd. "Unlocking Augmented Reality with World Class Optical Technology," 2018.

Karthika, et al. "Hololens." *International Journal of Computer Science and Mobile Computing*, vol. 6, Issue 2, Feb. 2017, pp. 41-50.

Lenovo Group Limited. "Lenovo New Glass C200 Adds Smart Glasses to Portfolio." Online. Internet. Published Jan. 3, 2017. Accessed Jul. 12, 2019. <http://blog.lenovo.com/en/blog/lenovo-new-glass-c200-adds-smart-glasses-to-portfolio/>.

Shen, et al. "Semantic information mediates visual attention during spoken word recognition in Chinese: Evidence from the printed-word version of the visual-world paradigm." *Attention, Perception, & Psychophysics*, Jul. 2016. vol. 78, Issue 5, pp. 1267-1284.

Vuzix Corporation. "M100 Smart Glasses Product Guide, Enterprise Edition." Product Manual, 2015.

AliExpress Newest Bluetooth headset sunglasses music microphone bone conduction Open type headset touch control compatible with myopia lens. Online. Internet. Accessed Apr. 24, 2019. https://www.aliexpress.com/item/Newest-Bluetooth-headset-sunglasses-music-microphone-bone-conduction-Open-type-headset-touch-control-compatible-with-myopia/32839211496.html?spm=2114.search0104.3.9.21df694c14Mfwl&ws_ab_test=searchweb0_0,searchweb201602_8_10065_10130_10068_10890_10547_319_10546_317_10548_10545_10696_453_10084_454

Amazon Vocal Skull Alien 5 Bone Conduction Glasses Polarized Sunglasses Headphones Headset Music Stereo Hearing Aid for Sports Running Cycling Hiking iOS Android Matted Black Frame (Frame+Mold Lens). Online. Internet. Accessed Apr. 24, 2019. <https://www.amazon.com/Vocal-Skull-Conduction-Sunglasses-Headphones/dp/B07KLSSQST>.

Bose Frames Alto. Online Internet. Accessed Apr. 24, 2019. https://www.bose.com/en_us/products/wearables/frames/bose-frames-alto.html.

Bose Frames Rondo. Online. Internet. Accessed Apr. 24, 2019. https://www.bose.com/en_us/products/wearables/frames/bose-frames-rondo.html.

Bose Frames. Online. Internet. Accessed Apr. 24, 2019. https://www.bose.com/en_us/products/wearables/frames.html.

Lucyd Upgrade Your Eyewear. Online. Internet. Accessed Apr. 24, 2019. <https://www.lucyd.co/>.

(56)

References Cited

OTHER PUBLICATIONS

Zungle. Online. Internet. Accessed Apr. 24, 2019. <https://www.zungleinc.com>.

* cited by examiner

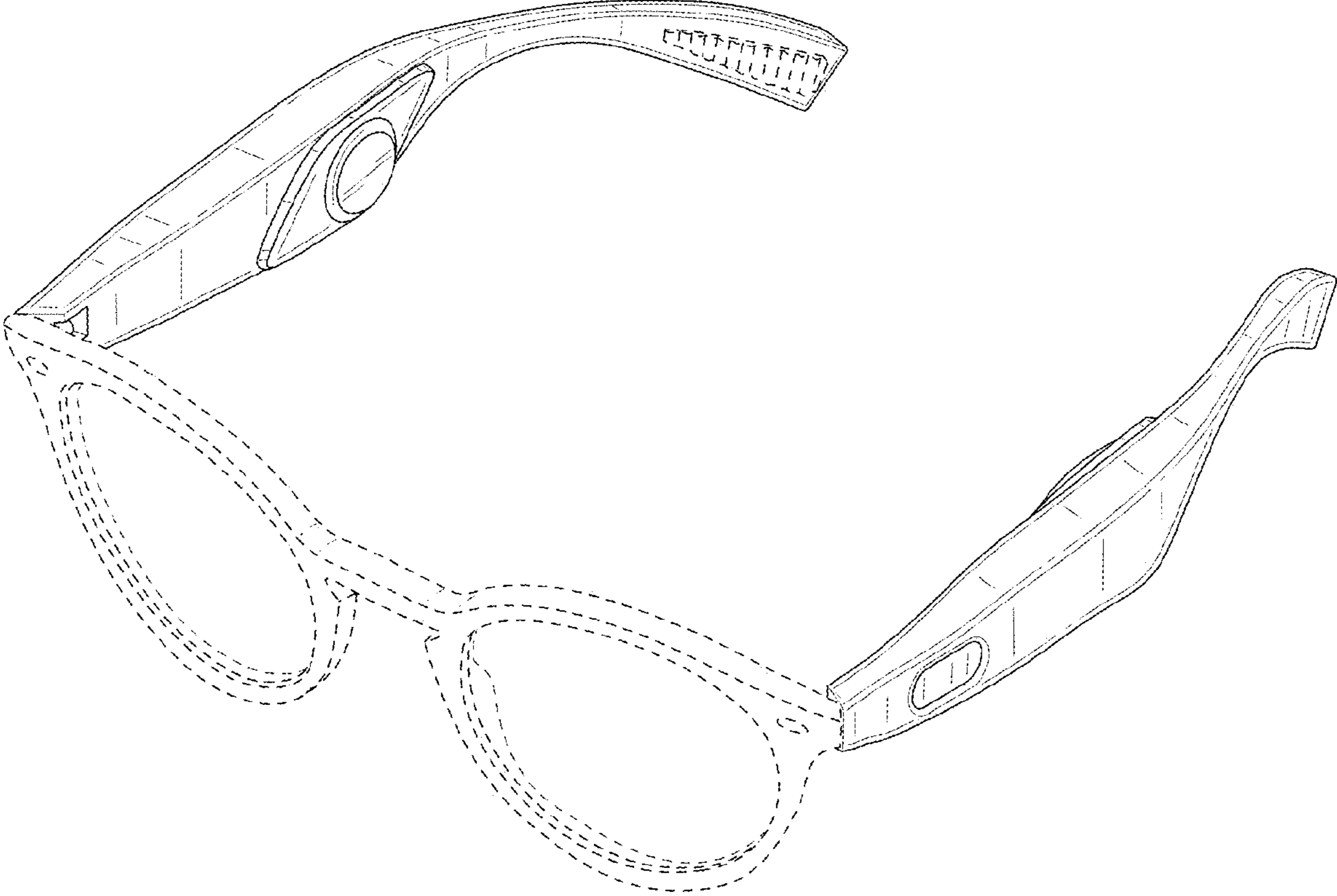


FIG. 1

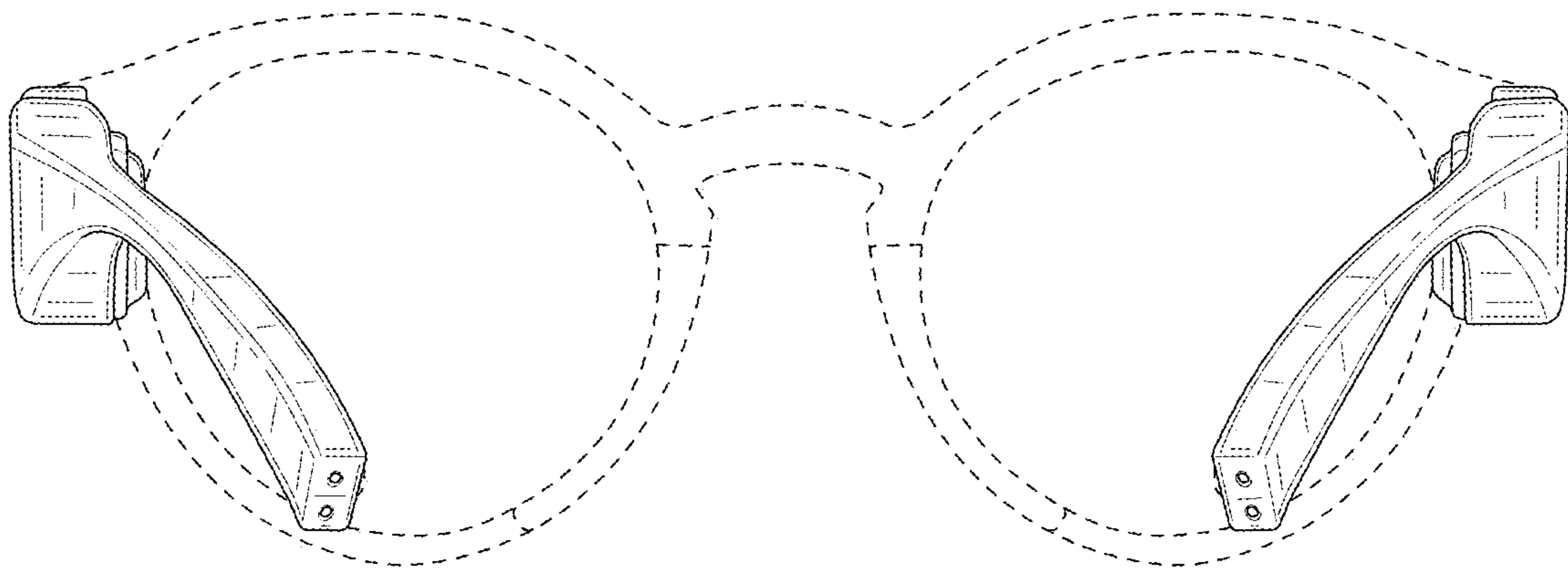


FIG. 2

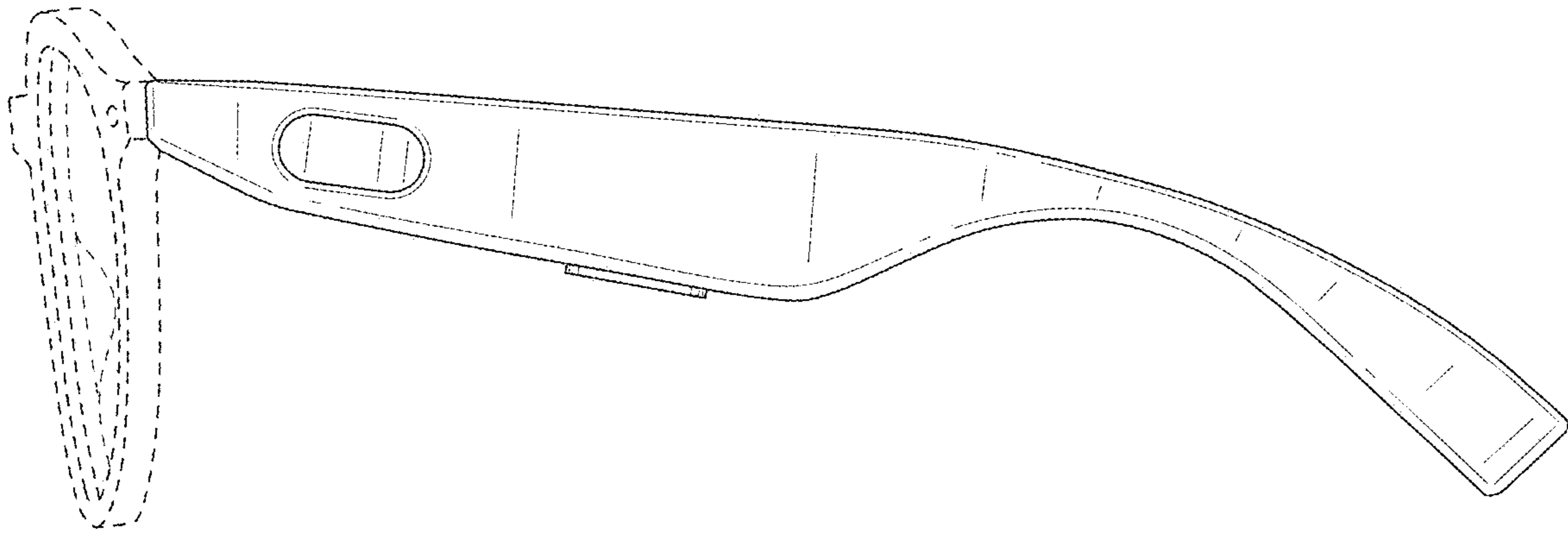


FIG. 3

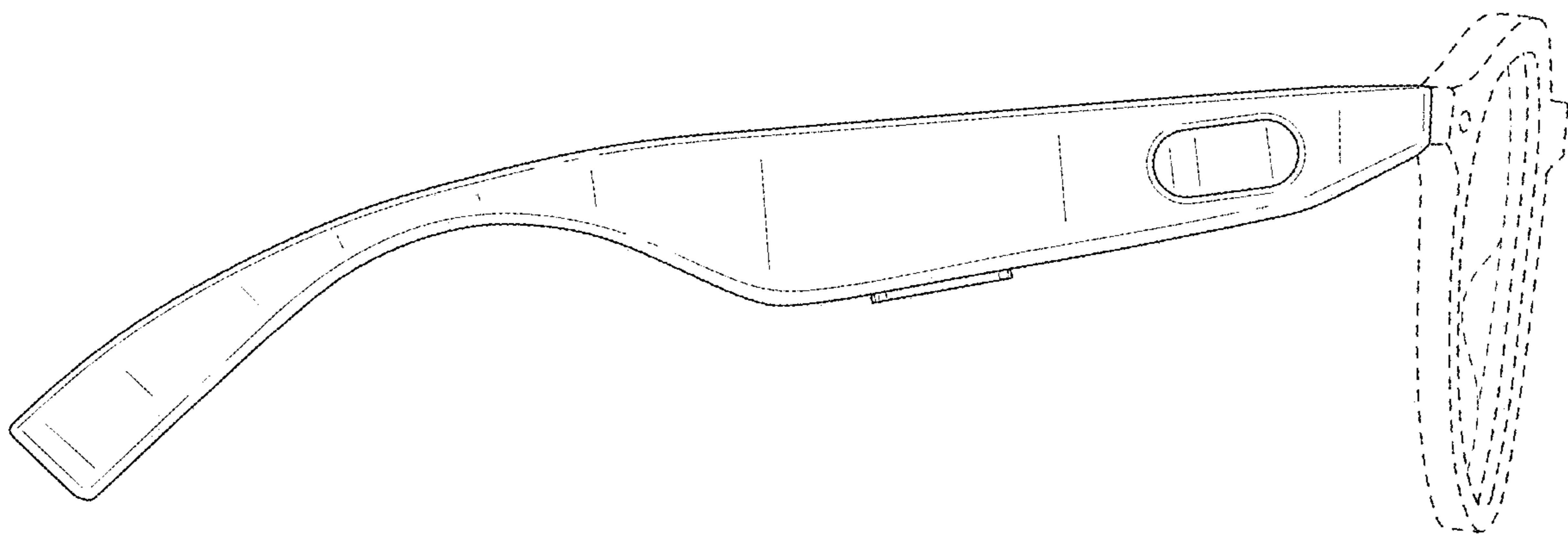


FIG. 4

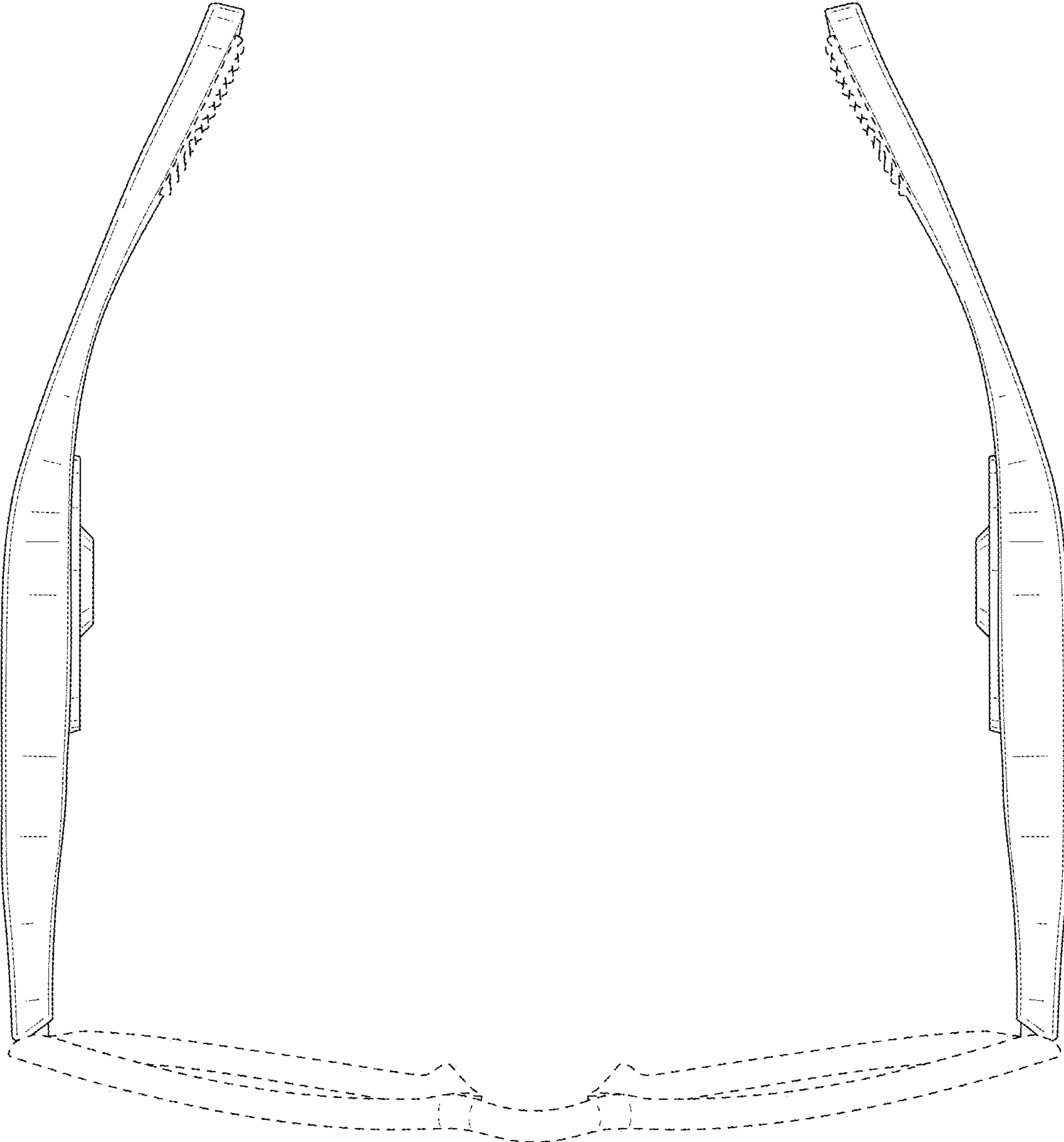


FIG. 5

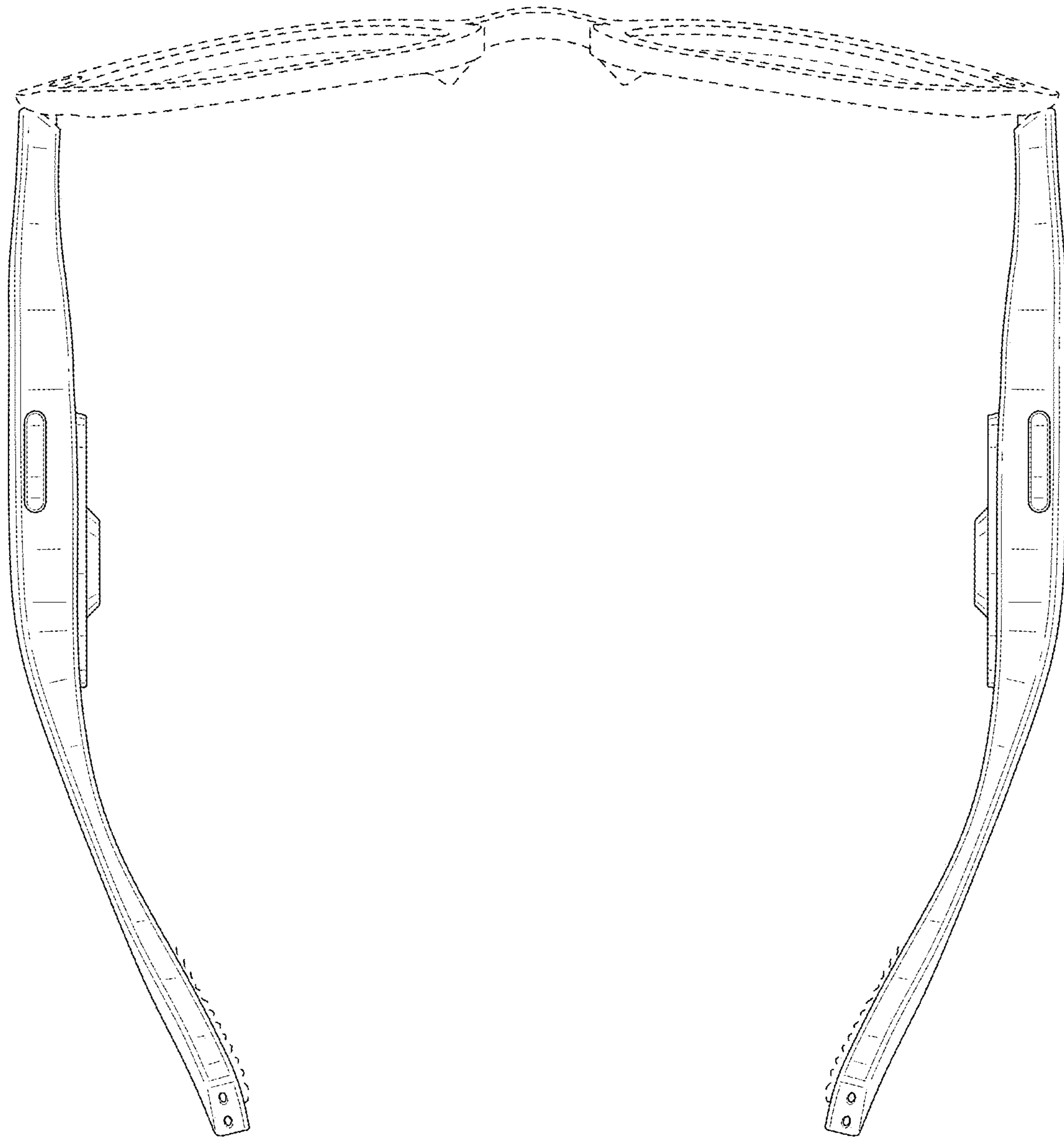


FIG. 6

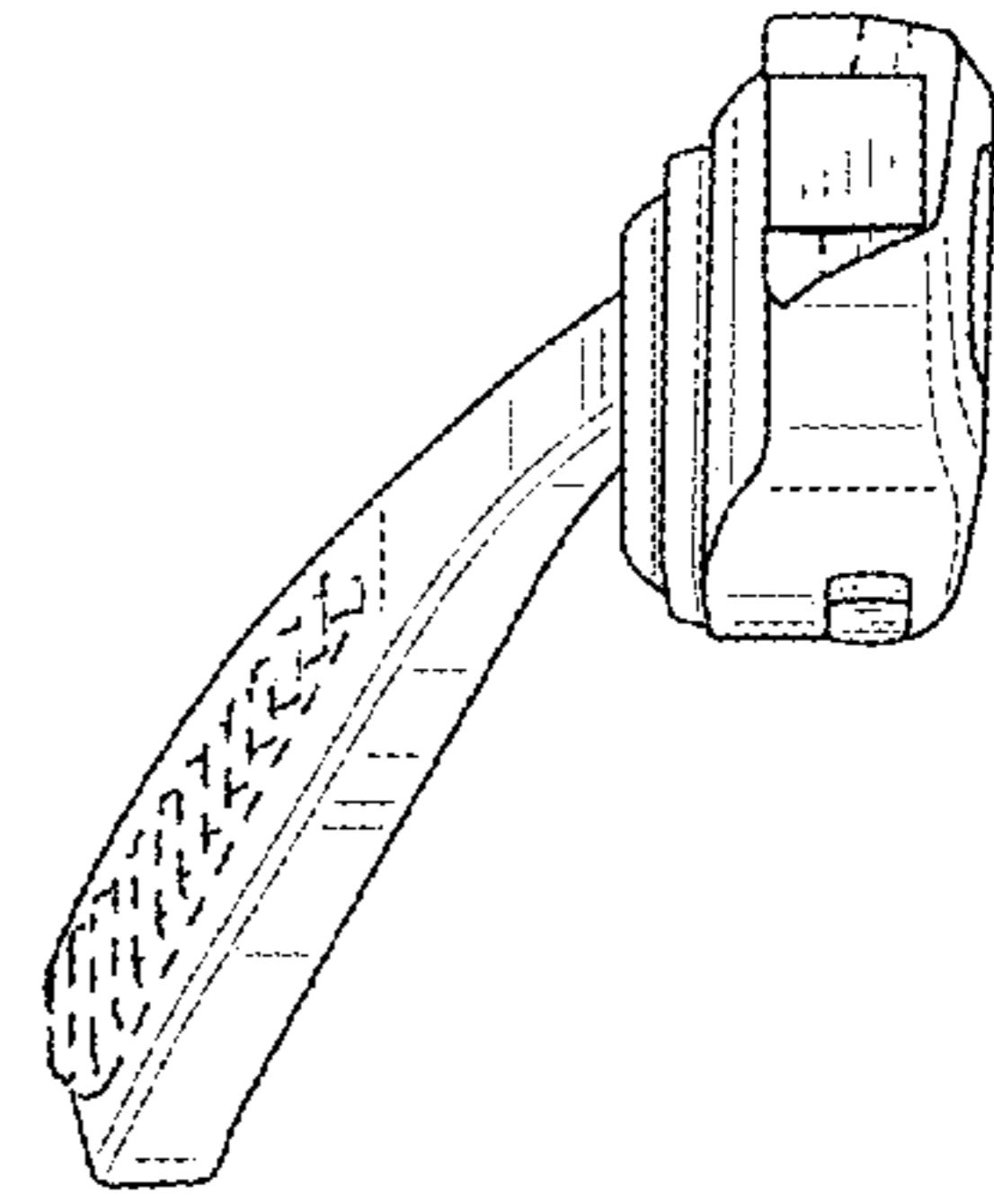
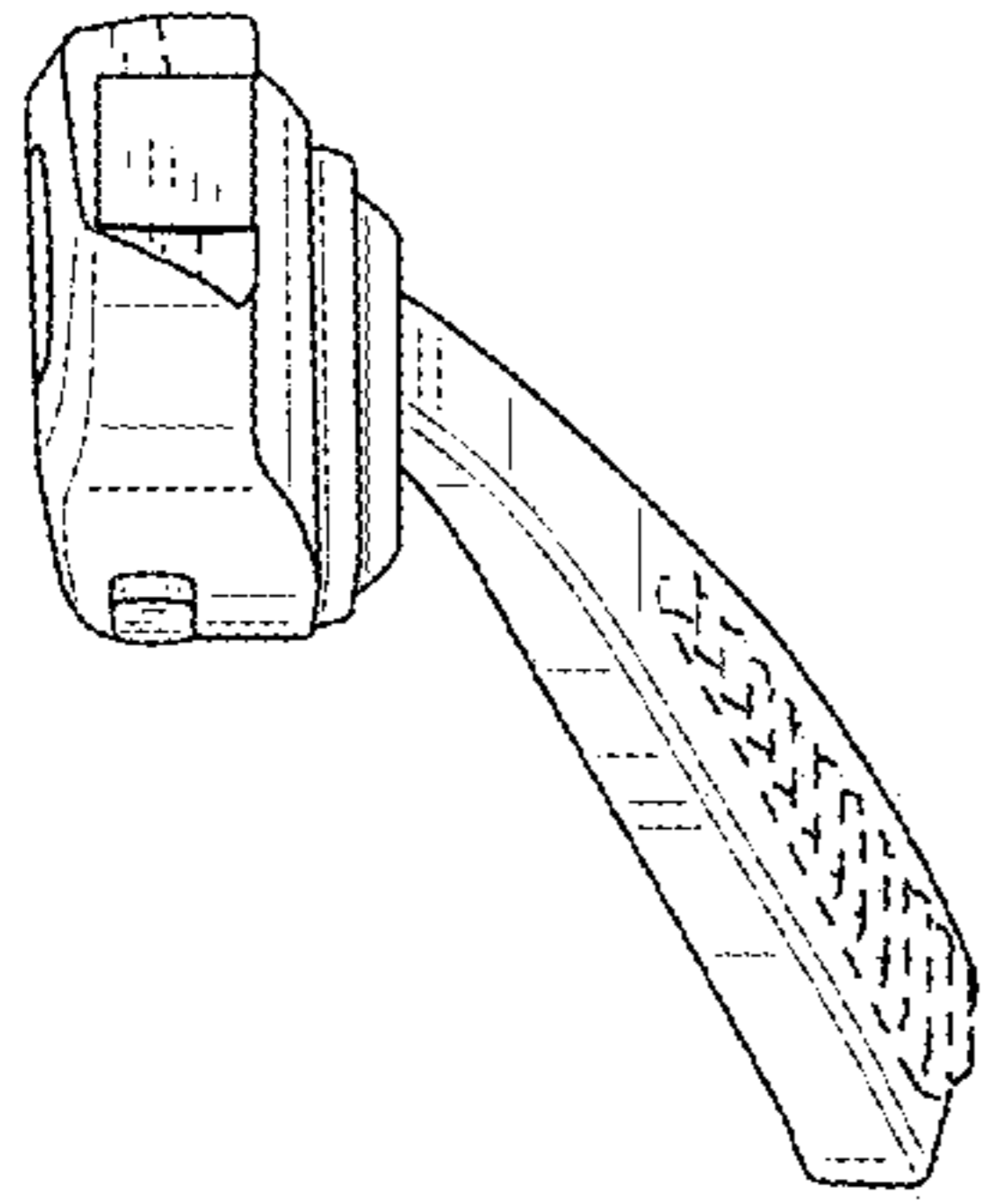


FIG. 7

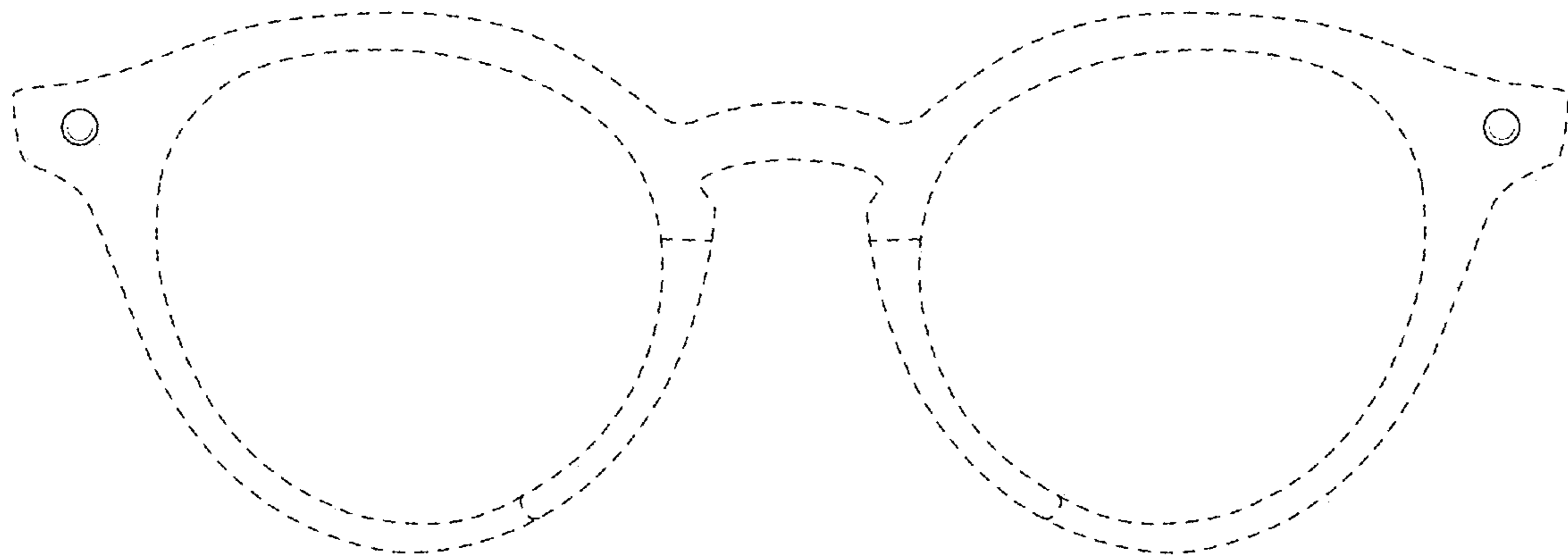


FIG. 8

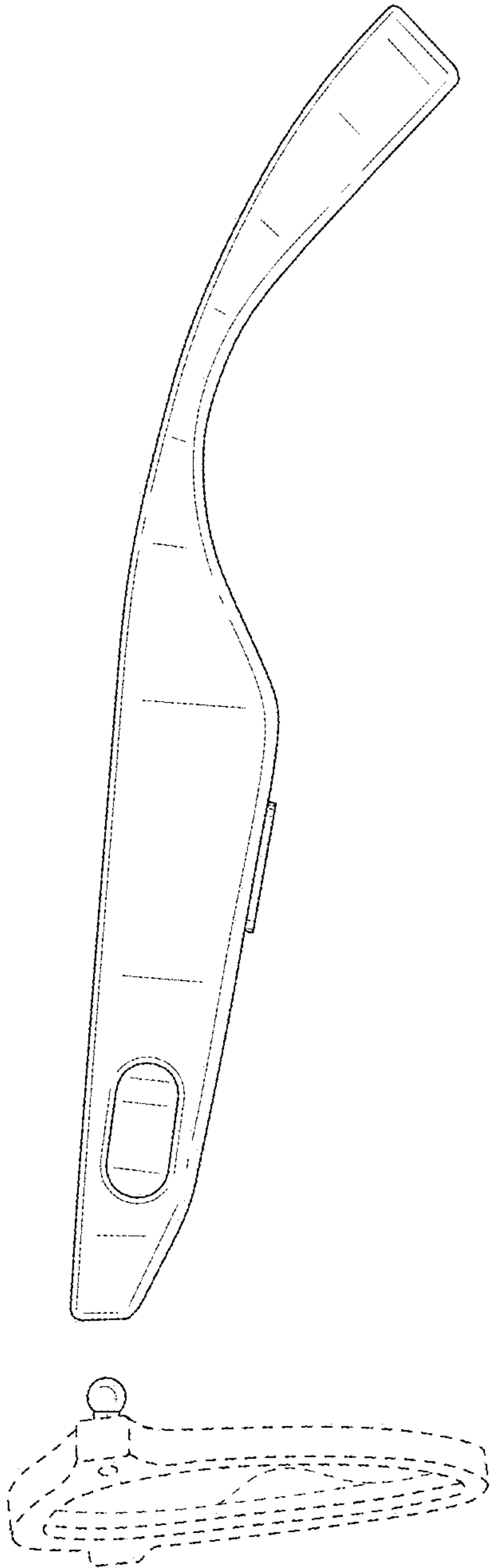


FIG. 9

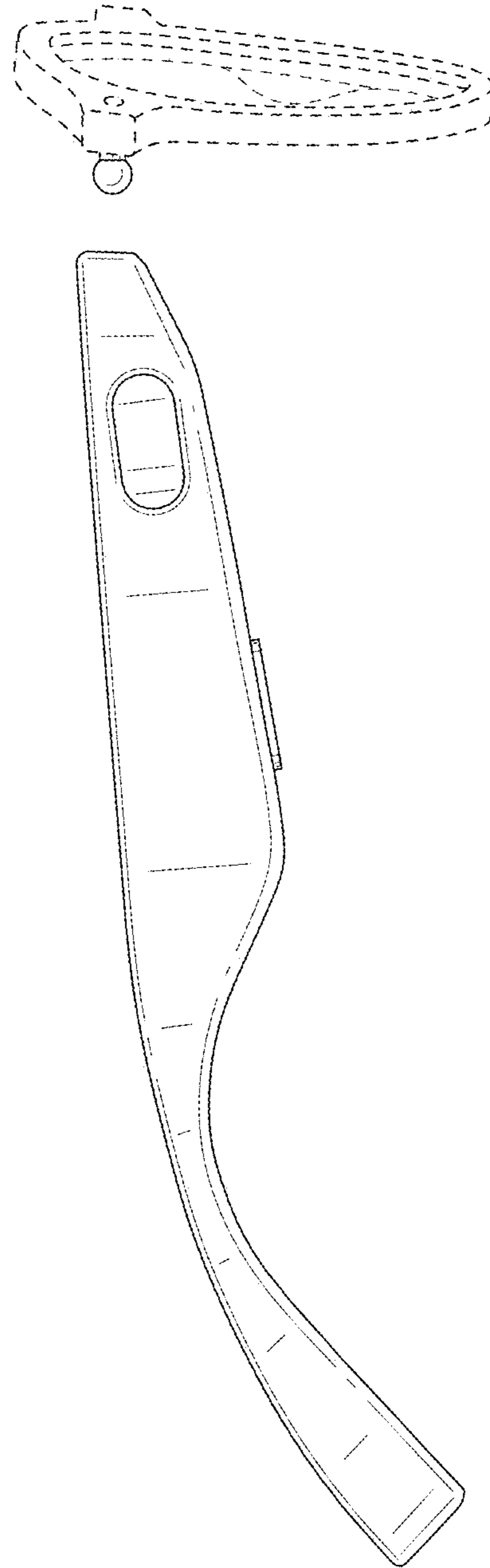


FIG. 10

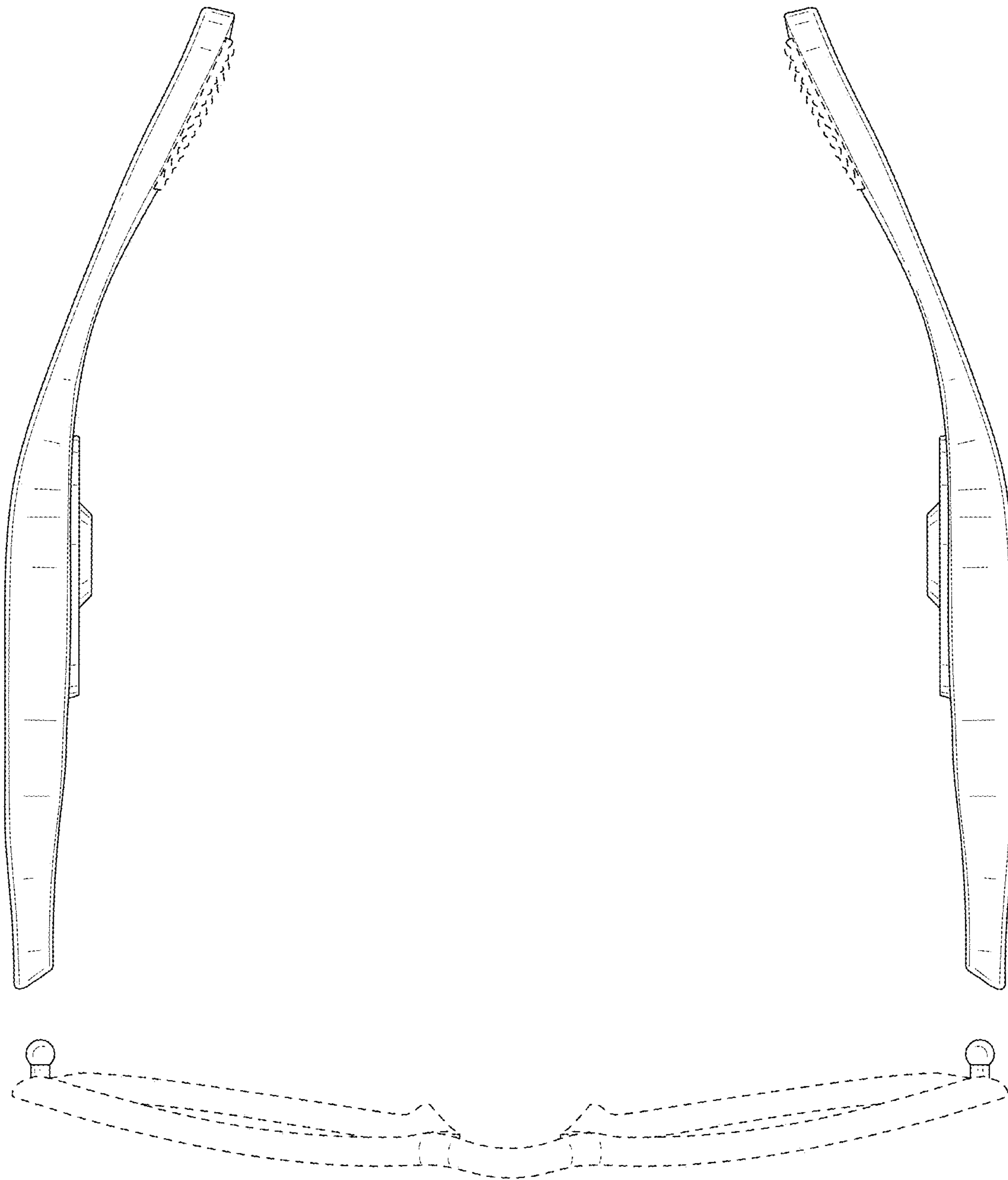


FIG. 11

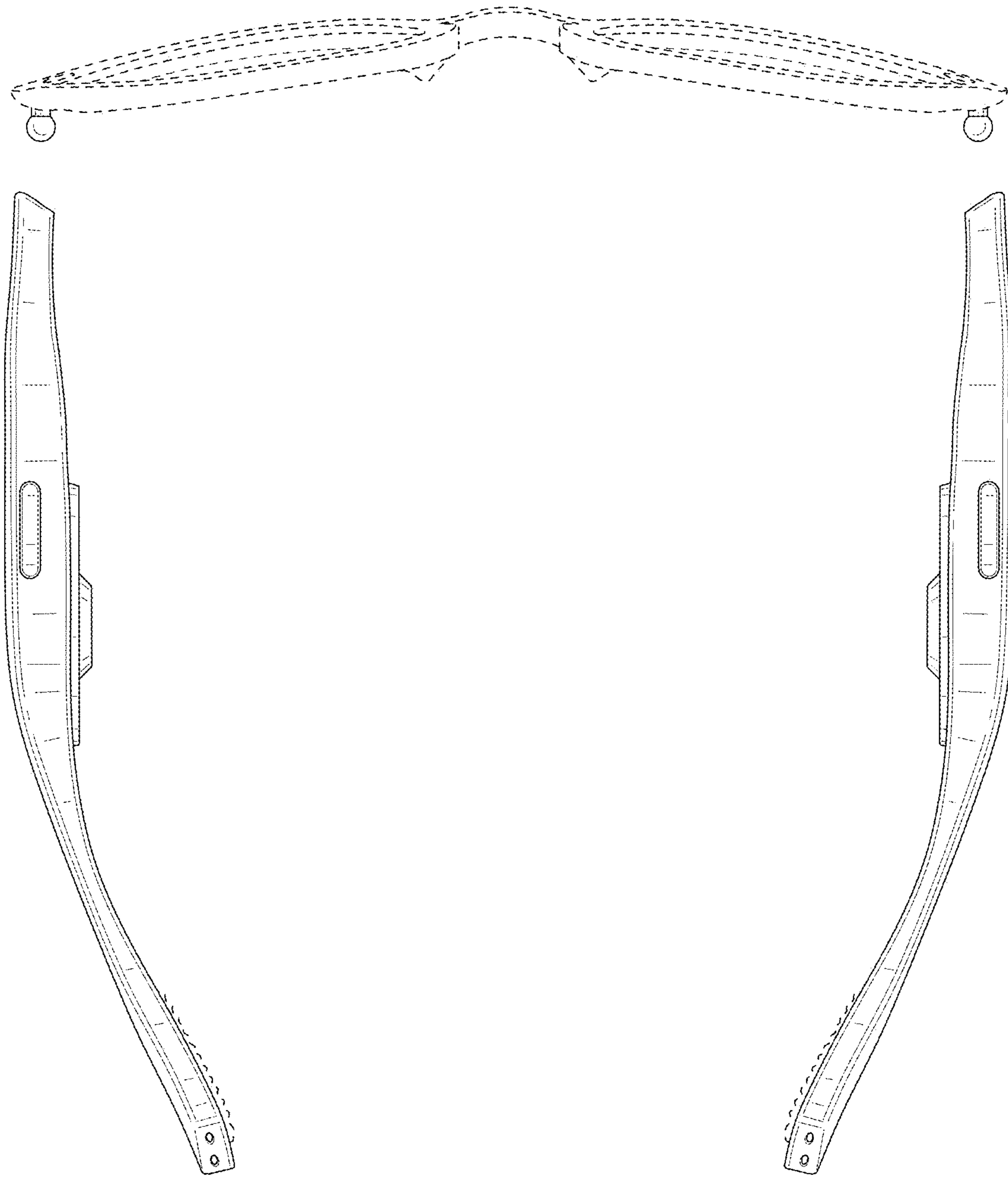


FIG. 12