



US00D974454S

(12) **United States Design Patent**  
**Zeng**

(10) **Patent No.:** **US D974,454 S**  
(45) **Date of Patent:** **\*\* Jan. 3, 2023**

(54) **TRIPOD FOR CAMERA**

FOREIGN PATENT DOCUMENTS

(71) Applicant: **AUKEY TECHNOLOGY CO., LTD,**  
Shenzhen (CN)

CN 306722683 \* 7/2021

(72) Inventor: **Jialin Zeng,** Shenzhen (CN)

OTHER PUBLICATIONS

(73) Assignee: **AUKEY TECHNOLOGY CO., LTD,**  
Shenzhen (CN)

“Celestron Powerseeker Accessory Tray,” date not available, retrieved Aug. 5, 2022 from <https://www.ebay.com/itm/234448006784?hash=item369630ae80:g:KT4AAOSw435hPPec> (Year: NA) (Year: 2022).\*

(\*\*) Term: **15 Years**

*Primary Examiner* — Maria J. Edwards  
*Assistant Examiner* — Dina Michelle Hoeynck

(21) Appl. No.: **29/777,921**

(57) **CLAIM**

(22) Filed: **Apr. 9, 2021**

The ornamental design for a tripod for camera, as shown and described.

(51) **LOC (14) Cl.** ..... **16-05**

**DESCRIPTION**

(52) **U.S. Cl.**

USPC ..... **D16/244**

(58) **Field of Classification Search**

USPC ..... D16/132, 237, 241–245, 250;  
D8/354–355, 363, 382; D14/224, 229,  
D14/251; D26/93, 111, 118

CPC ..... F16M 11/06; F16M 11/08; F16M 11/10;  
F16M 11/14; F16M 11/247; F16M 11/32;  
G03B 17/561

See application file for complete search history.

FIG. 1 is a first perspective view of a tripod for camera showing the claimed design in accordance with the present disclosure;

FIG. 2 is a second perspective view thereof;

FIG. 3 is a front elevational view thereof;

FIG. 4 is a rear elevational view thereof;

FIG. 5 is a left side elevational view thereof;

FIG. 6 is a right side elevational view thereof;

FIG. 7 is a top plan view thereof;

FIG. 8 is a bottom plan view thereof;

FIG. 9 is a perspective view of the tripod for camera, wherein the feet of the tripod for camera are in extended positions;

FIG. 10 is an enlarged view of an encircle portion 10 in FIG. 1; and,

FIG. 11 is an enlarged view of an encircle portion 11 in FIG. 7.

The broken lines in the Figures are for the purpose of illustrating portions of the article that form no part of the claimed design.

The dash-broken lines encircling portions of the claimed design that are illustrated in enlargements form no part of the claimed design.

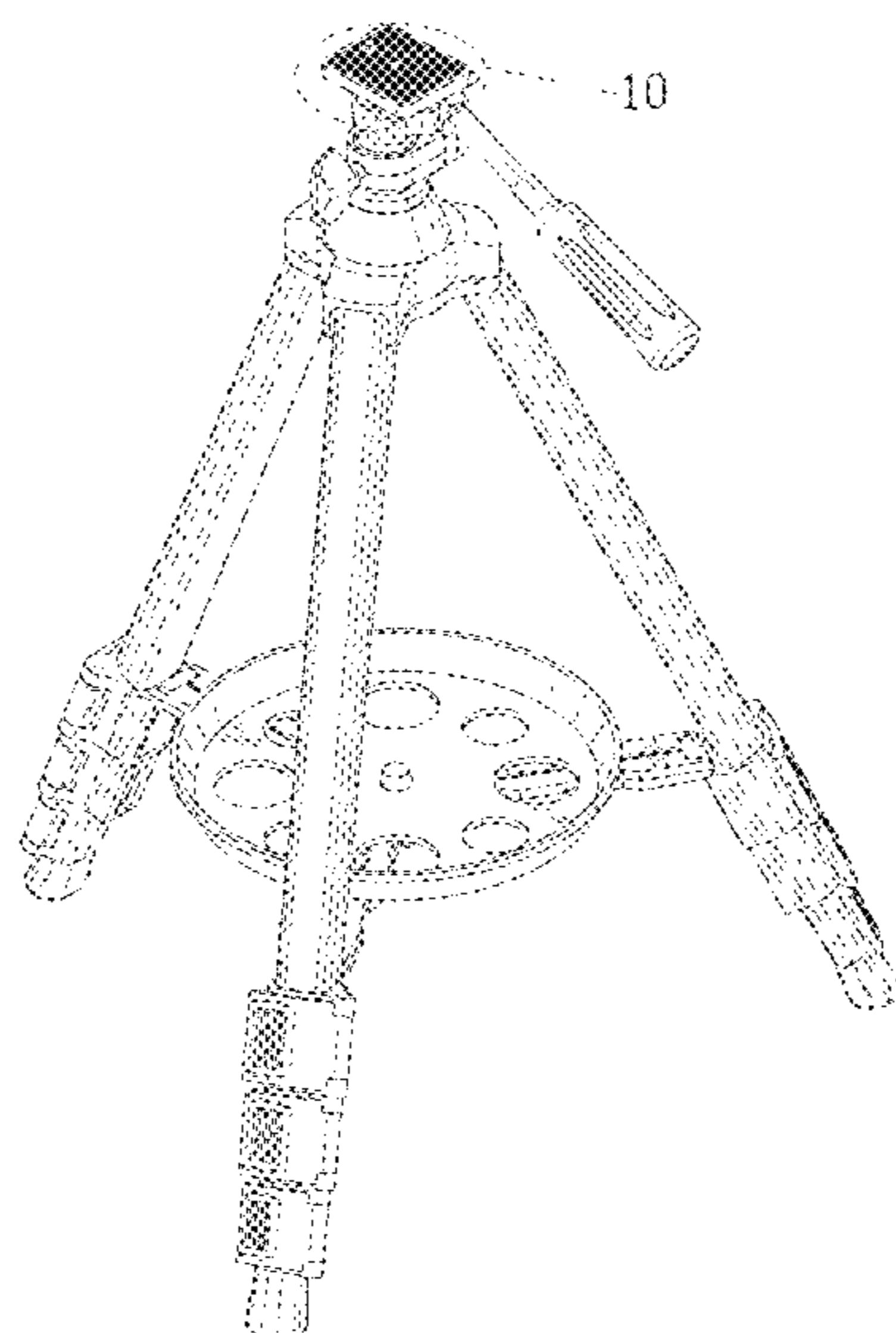
(56) **References Cited**

U.S. PATENT DOCUMENTS

D269,880 S *	7/1983	Iwasaki	.....	D16/244
4,570,887 A *	2/1986	Banister	.....	F16M 11/10
				248/223.41
4,932,622 A *	6/1990	Hayakawa	.....	F16M 11/32
				248/188.5
D333,479 S *	2/1993	Chun-Mao	.....	D16/244
D344,969 S *	3/1994	Nakatani	.....	D16/244
D349,915 S *	8/1994	Hanke	.....	D16/244
6,877,915 B1 *	4/2005	Wei	.....	F16M 11/32
				348/373
D829,266 S *	9/2018	Zeng	.....	D16/244

(Continued)

**1 Claim, 11 Drawing Sheets**



(56)

**References Cited**

## U.S. PATENT DOCUMENTS

D829,267	S *	9/2018	Zeng .....	D16/244
10,323,785	B1 *	6/2019	Takahashi .....	F16M 11/12
D902,986	S *	11/2020	Zeng .....	D16/244
D907,105	S *	1/2021	Ye .....	D16/244
11,036,115	B2 *	6/2021	Li .....	F16M 11/2071
D929,023	S *	8/2021	Xiao .....	D16/244
D929,024	S *	8/2021	Xiao .....	D16/244
D942,529	S *	2/2022	Lin .....	D16/244
D943,020	S *	2/2022	Lin .....	D16/244
D957,510	S *	7/2022	Lin .....	D16/244
2005/0151036	A1 *	7/2005	Speggiorin .....	F16M 11/32 248/177.1
2013/0313384	A1 *	11/2013	Nakatani .....	F16M 11/10 248/178.1
2016/0258572	A1 *	9/2016	Ben Meir .....	G03B 17/561
2021/0080050	A1 *	3/2021	Johnson, Sr. ....	F16M 11/16
2021/0109425	A1 *	4/2021	Jankura .....	F16M 11/04

\* cited by examiner

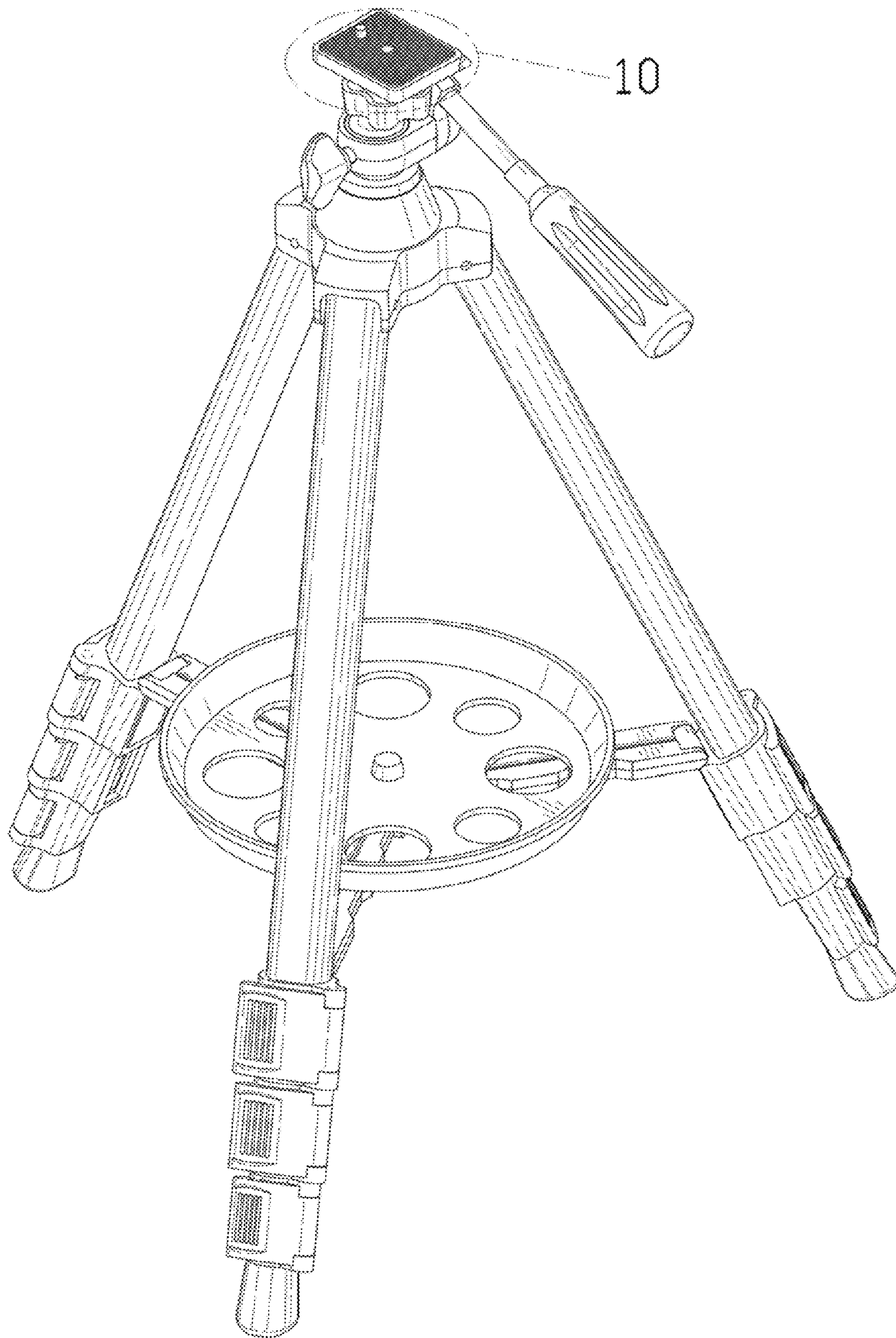


FIG. 1



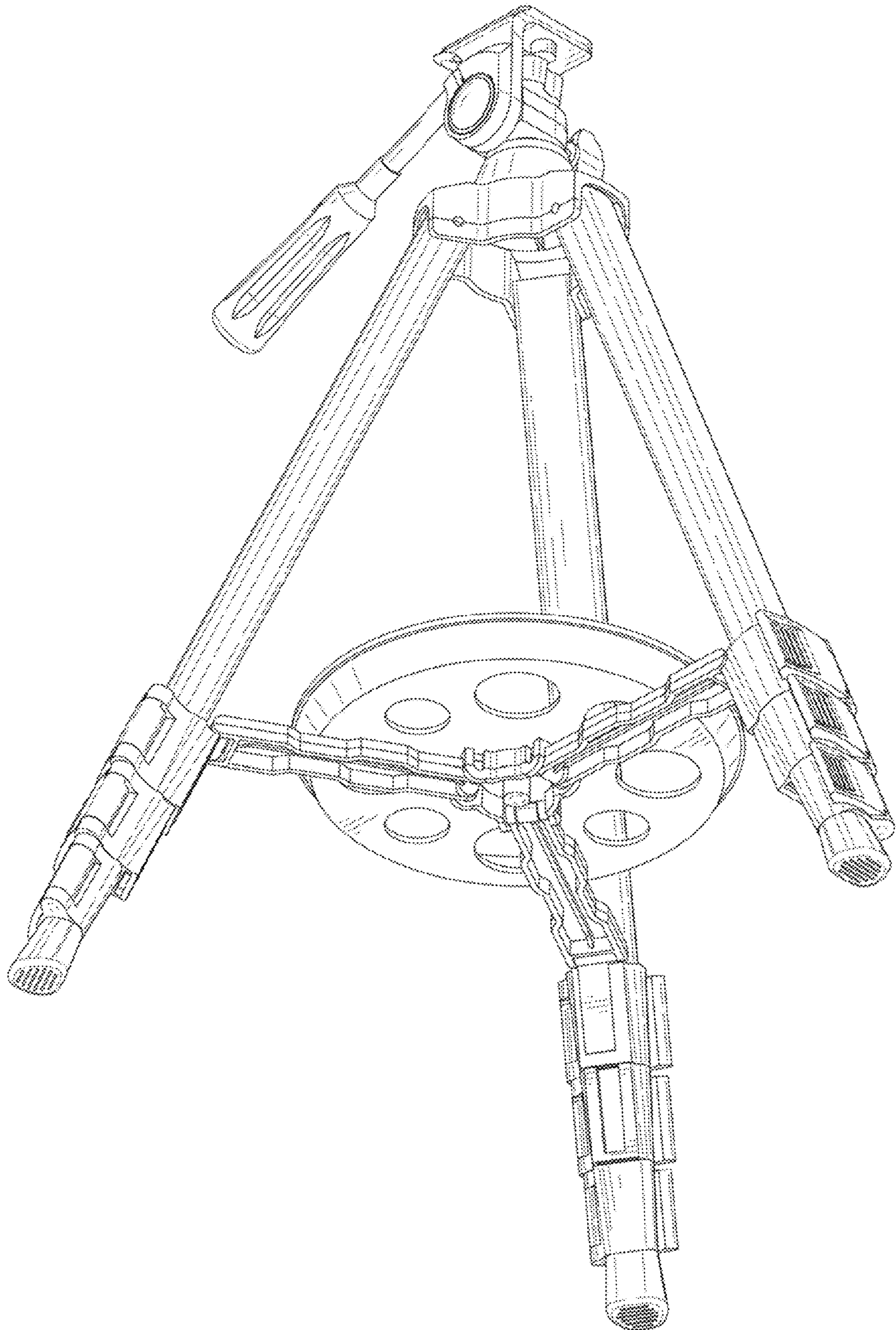


FIG. 2

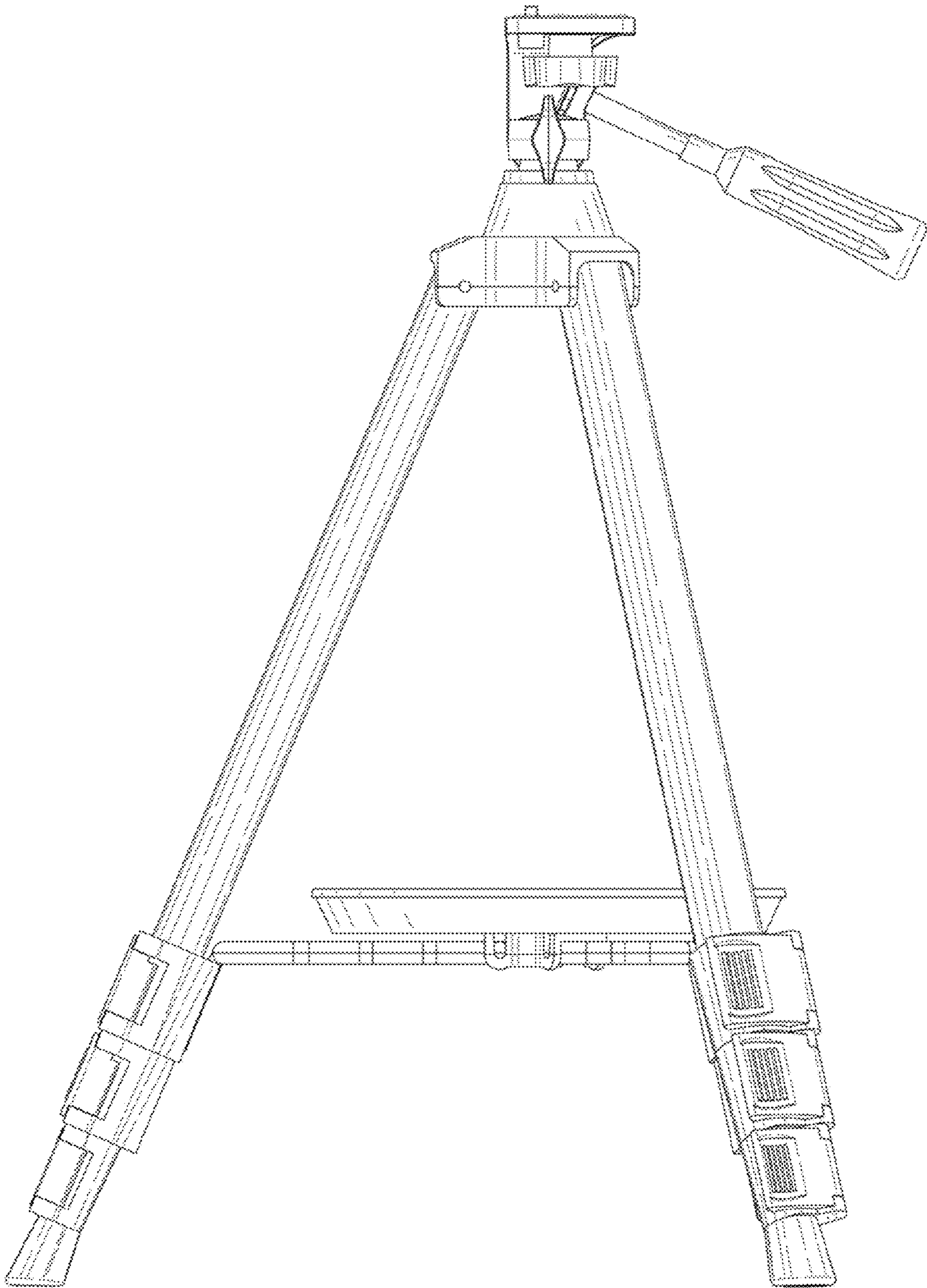


FIG. 3

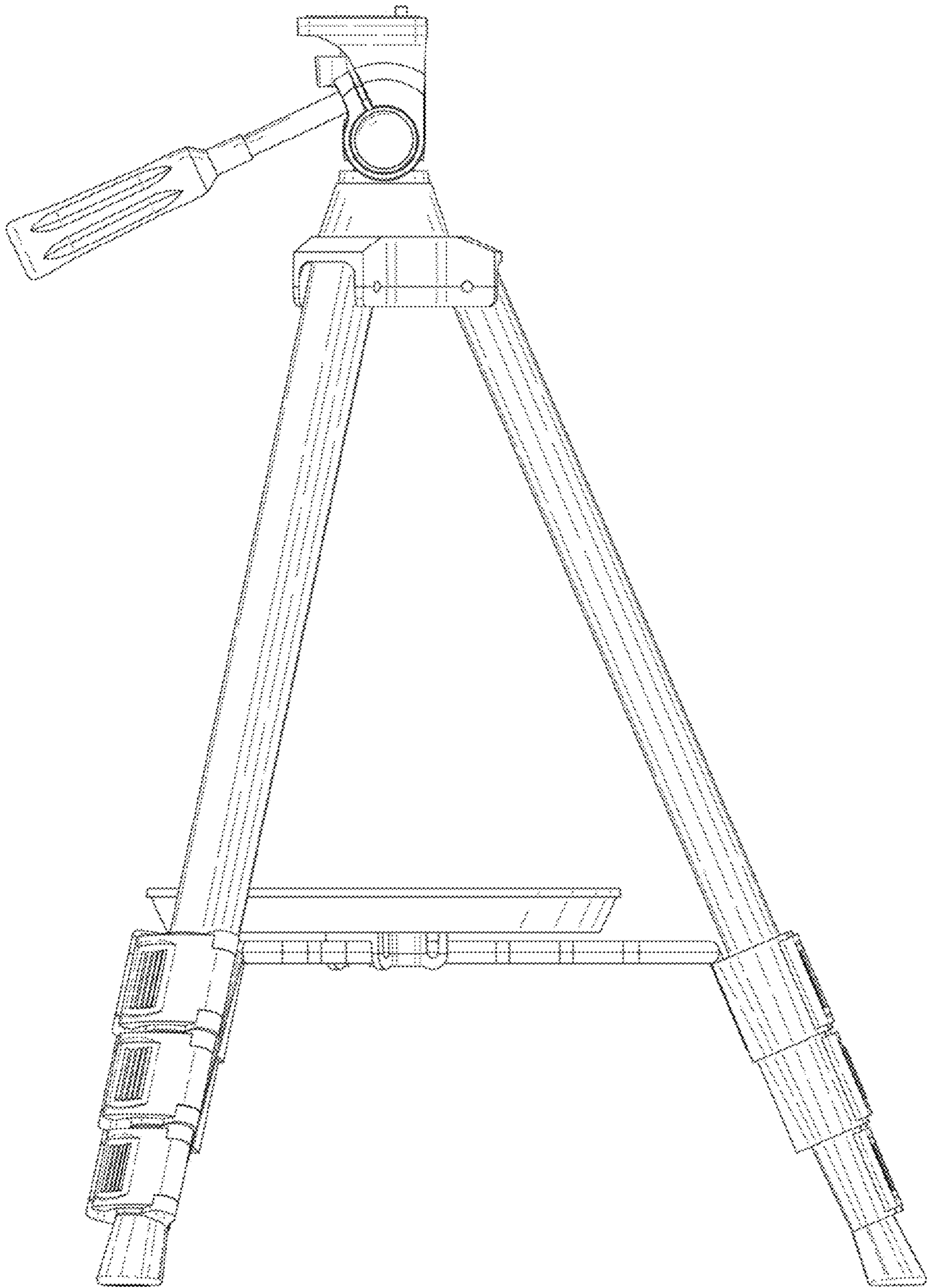


FIG. 4



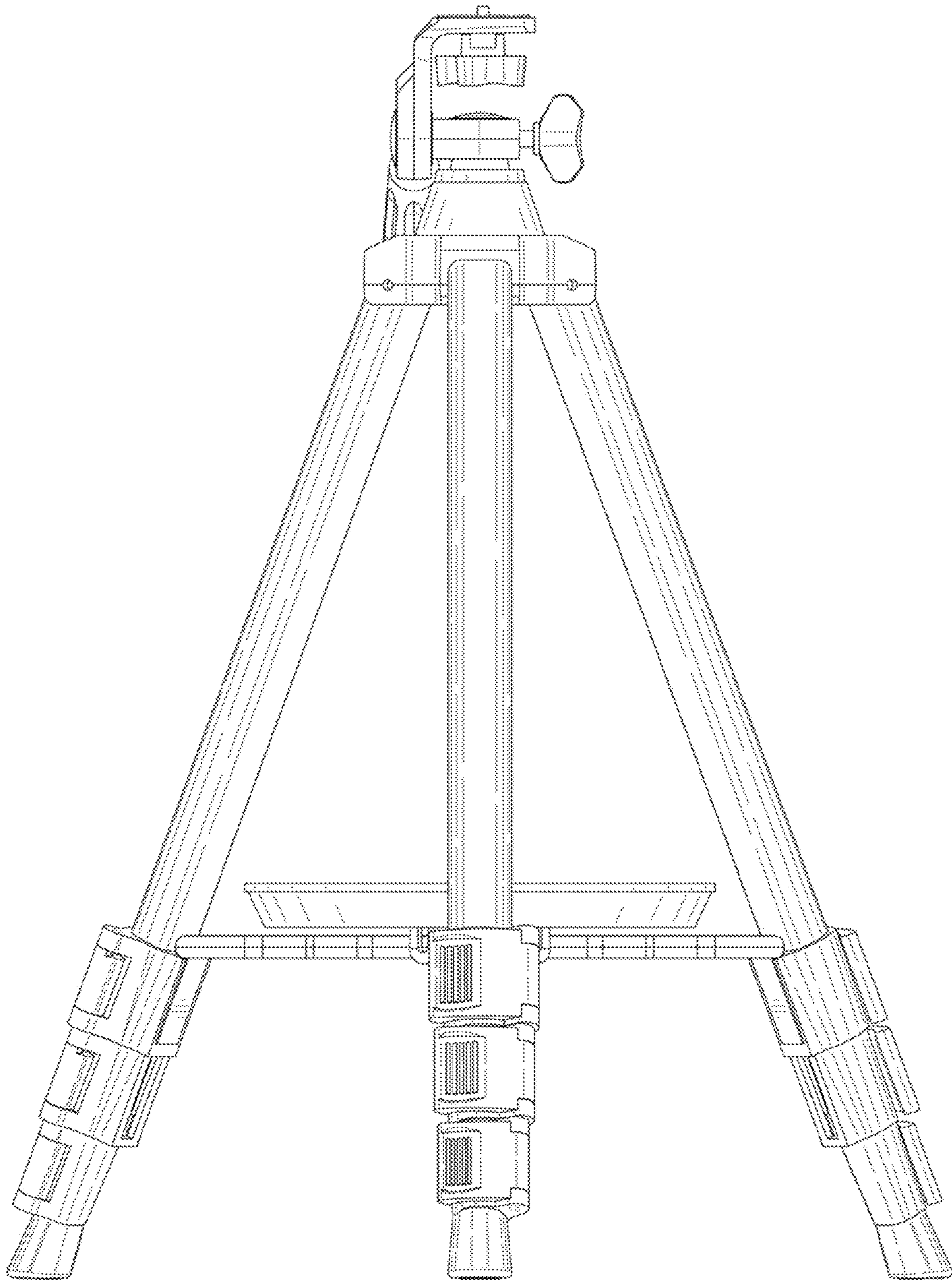


FIG. 5

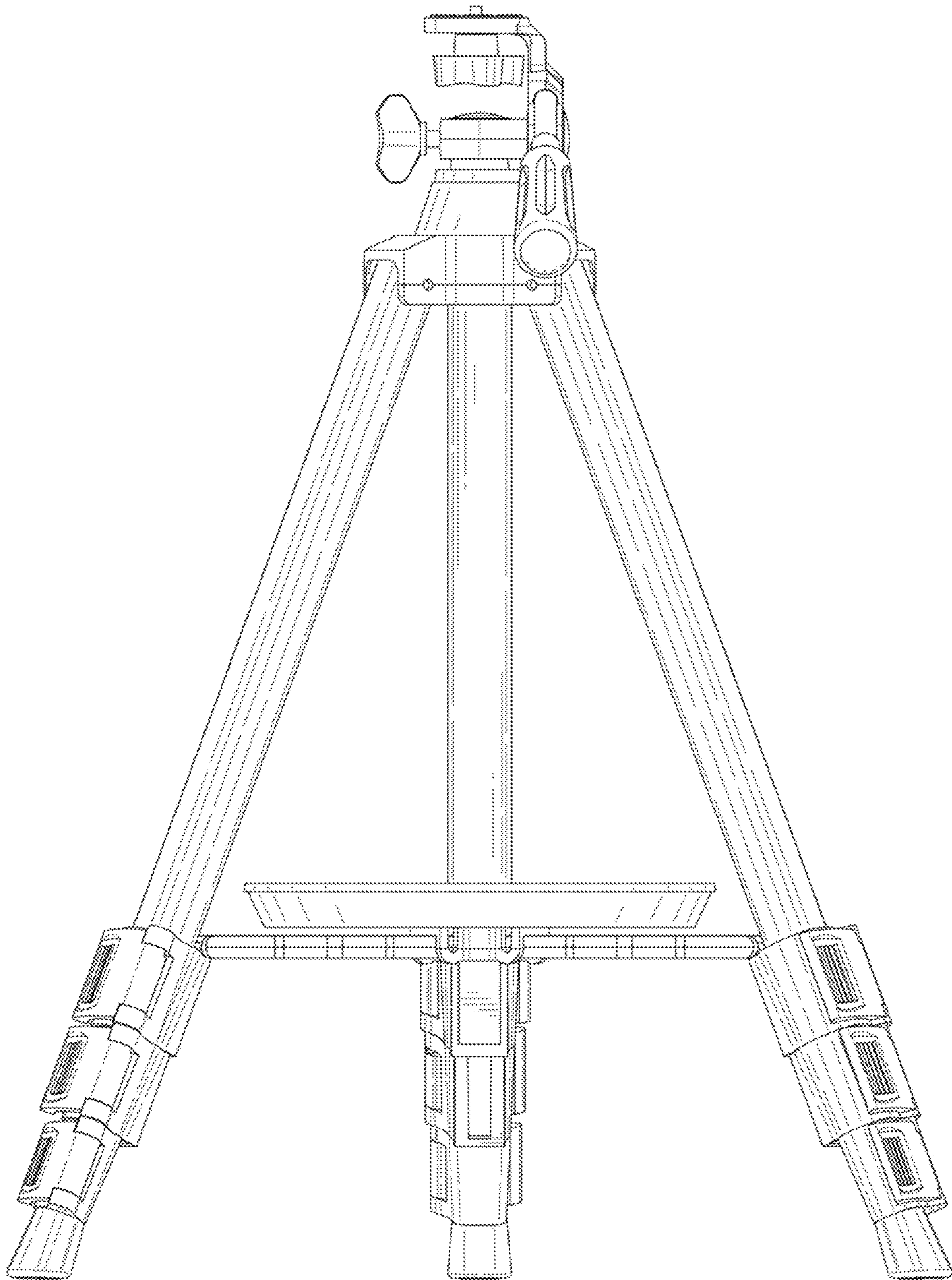


FIG. 6



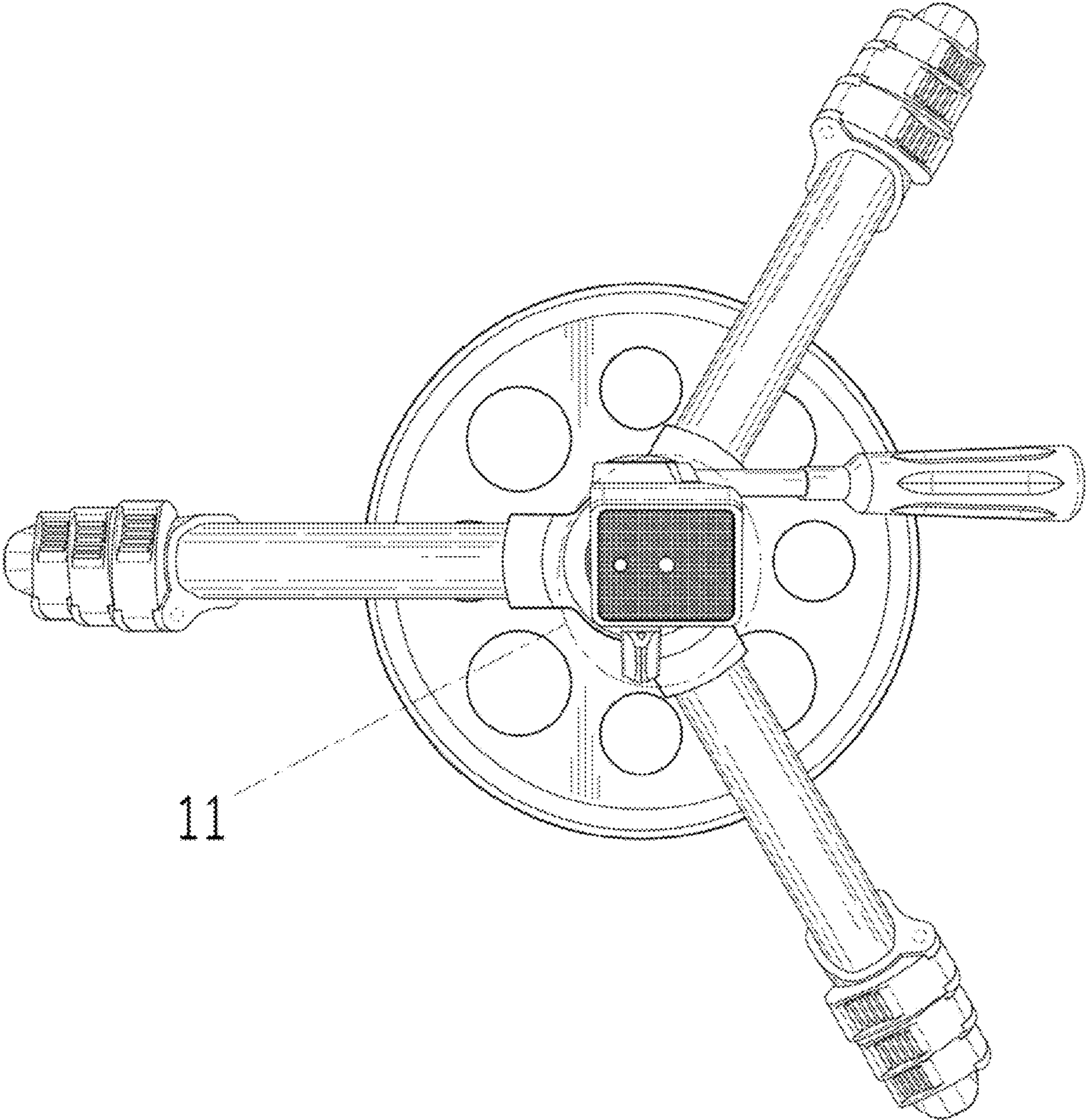


FIG. 7

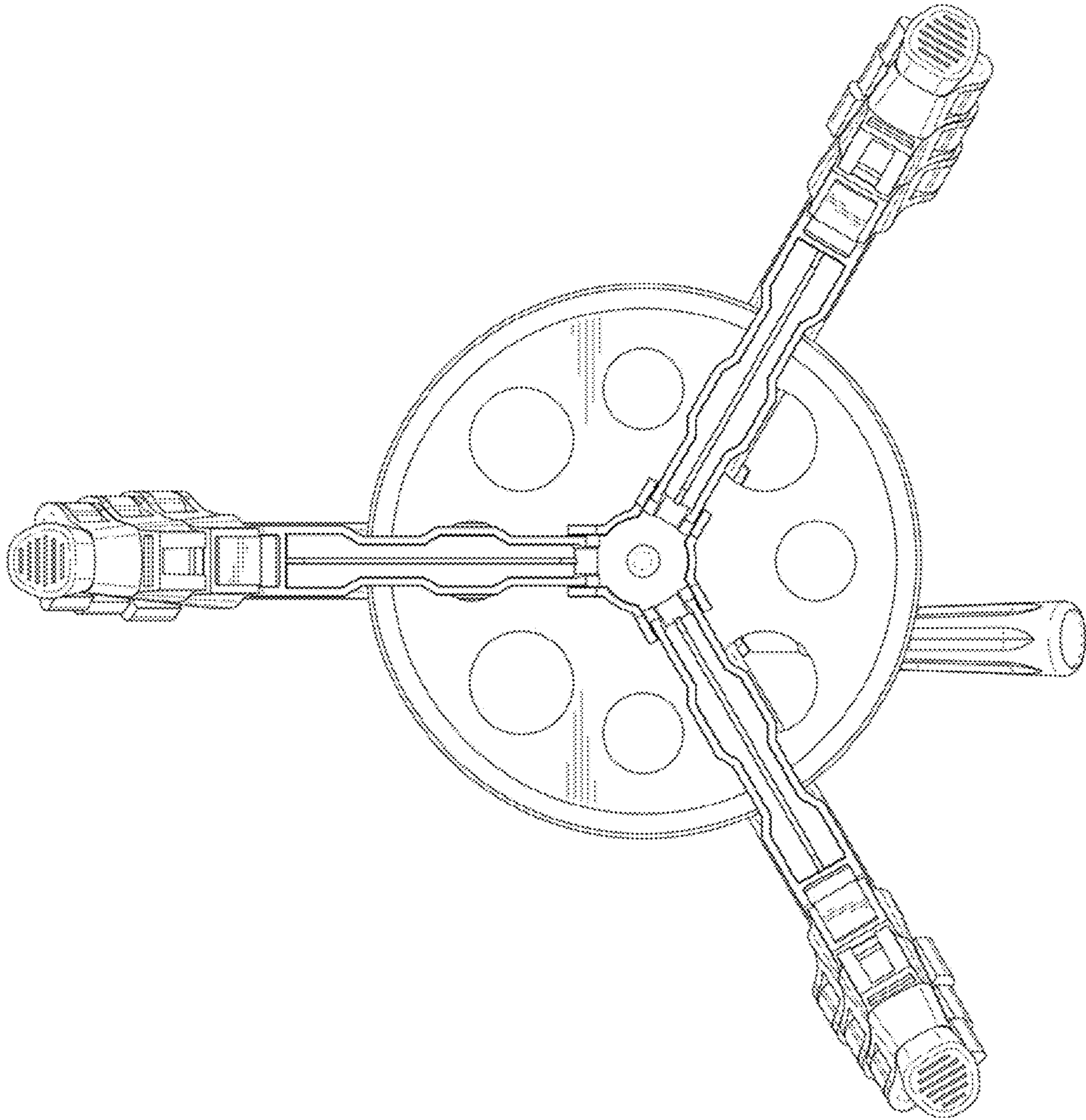


FIG. 8

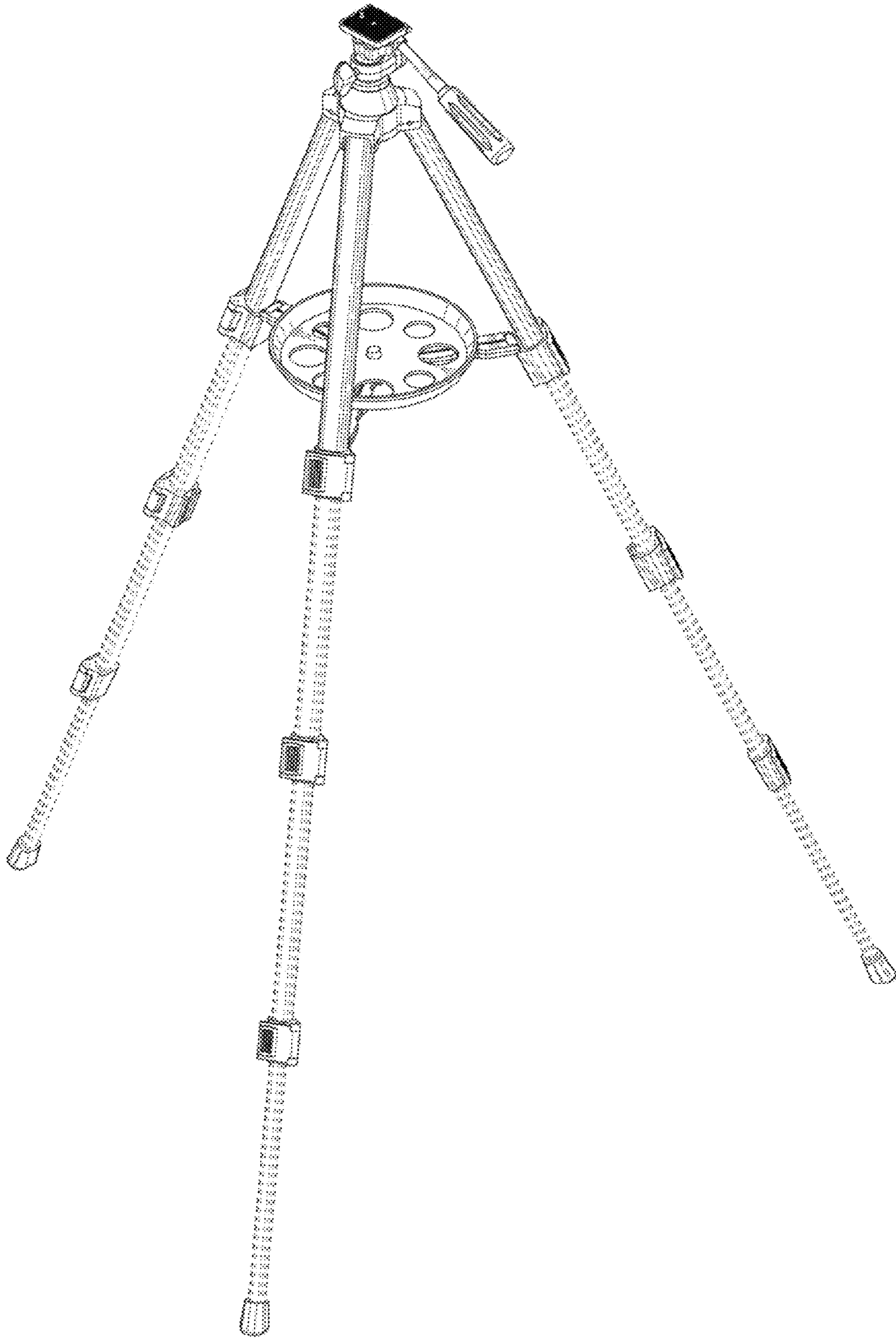


FIG. 9



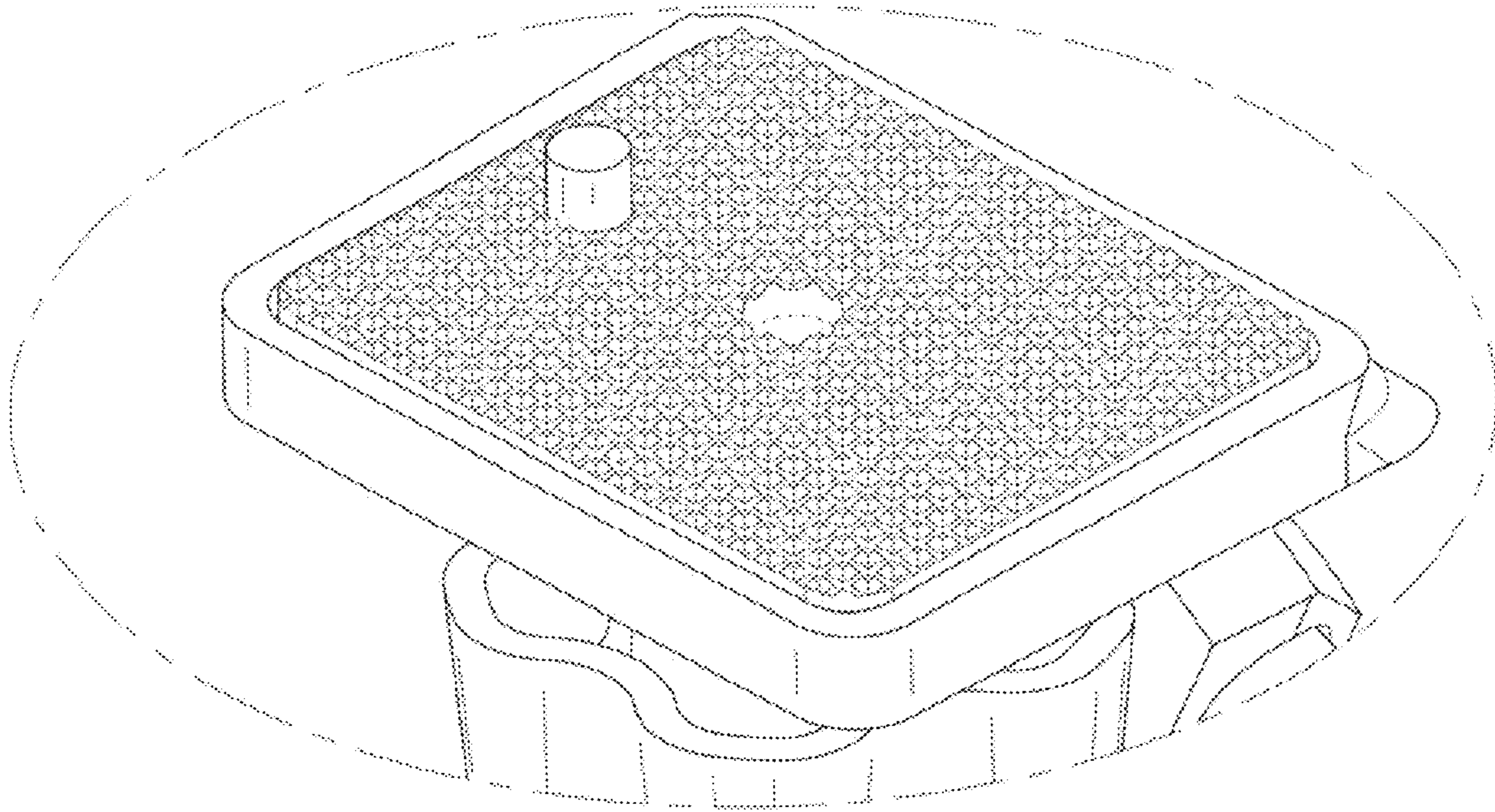


FIG. 10

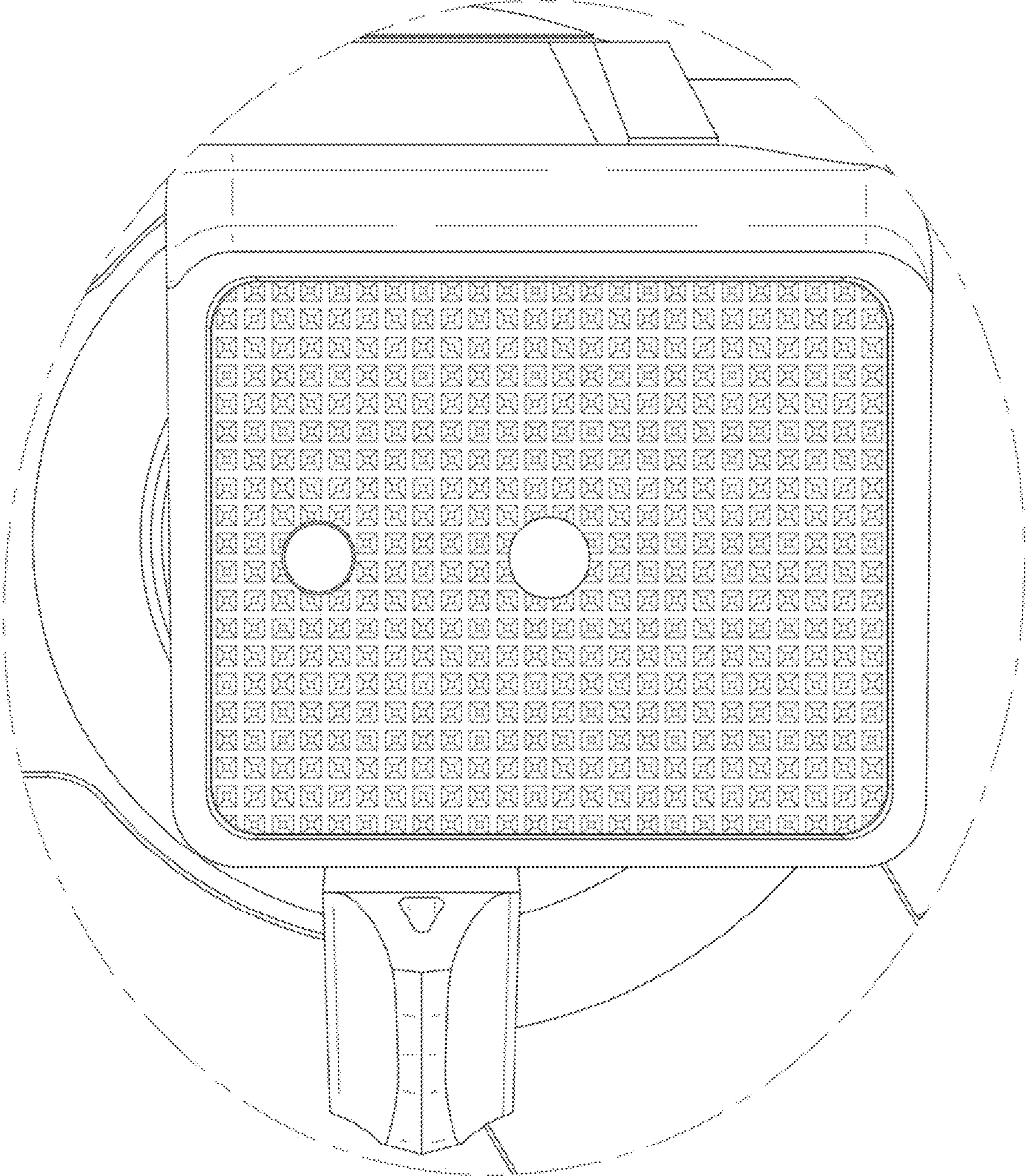


FIG. 11