



US00D974453S

(12) **United States Design Patent**  
**Li et al.**

(10) **Patent No.:** **US D974,453 S**  
(45) **Date of Patent:** **\*\* Jan. 3, 2023**

(54) **TRIPOD**  
(71) Applicant: **GUANGDONG SIRUI OPTICAL CO., LTD.,** Zhongshan (CN)  
(72) Inventors: **Jie Li,** Zhongshan (CN); **Qijun Nie,** Zhongshan (CN); **Hang Chen,** Zhongshan (CN)  
(73) Assignee: **GUANGDONG SIRUI OPTICAL CO., LTD.,** Zhongshan (CN)  
(\*\*) Term: **15 Years**

D264,728 S \* 6/1982 Iwasaki ..... D16/244  
4,455,005 A \* 6/1984 Mooney ..... F16M 11/36  
248/188.8  
D276,622 S \* 12/1984 Mooney ..... D16/244  
4,648,697 A \* 3/1987 Kawazoe ..... F16M 11/105  
248/163.1  
D343,185 S \* 1/1994 Baker ..... D16/244  
5,320,316 A \* 6/1994 Baker ..... F16M 11/36  
248/163.1  
7,654,494 B2 \* 2/2010 Cartoni ..... F16M 11/36  
248/163.1  
9,213,222 B2 \* 12/2015 Johnson ..... G03B 17/563  
9,989,836 B1 \* 6/2018 Riddel ..... F16M 11/2085  
D829,267 S \* 9/2018 Zeng ..... D16/244  
10,370,072 B1 \* 8/2019 Grate ..... G01S 7/4813

(21) Appl. No.: **29/697,294**  
(22) Filed: **Jul. 7, 2019**

(30) **Foreign Application Priority Data**  
Jan. 25, 2019 (CN) ..... 201930044238.8

(51) **LOC (14) Cl.** ..... **16-05**  
(52) **U.S. Cl.**  
USPC ..... **D16/244**

(58) **Field of Classification Search**  
USPC ..... D16/208–209, 219, 221, 225, 229,  
D16/237–250; D8/354, 355, 363, 373;  
D14/224, 229, 238, 251, 253, 447, 451,  
D14/457  
CPC ..... A45F 5/00; A45F 5/10; A45F  
2200/0508–0533; F16M 11/06–10; F16M  
11/14; G02B 7/00–002; G02B 25/00;  
G03B 17/56; G03B 17/561–566; G03B  
21/10–116; H04N 5/2253–2254  
See application file for complete search history.

(56) **References Cited**  
U.S. PATENT DOCUMENTS

D221,693 S \* 8/1971 Bradspies et al. .... D16/244  
4,234,149 A \* 11/1980 Kawazoe ..... F16M 11/10  
248/184.1

(Continued)

**OTHER PUBLICATIONS**

SH Series Video Tripod kits SH25T+BCH-20. [online] Retrieved Jan. 20, 2022 from URL: <https://store.sirui.com/products/sh-series-video-tripod-kits-sh25t-bch-20> (Year: 2022).\*

(Continued)

*Primary Examiner* — Vy N Koenig  
(74) *Attorney, Agent, or Firm* — Loeb & Loeb LLP

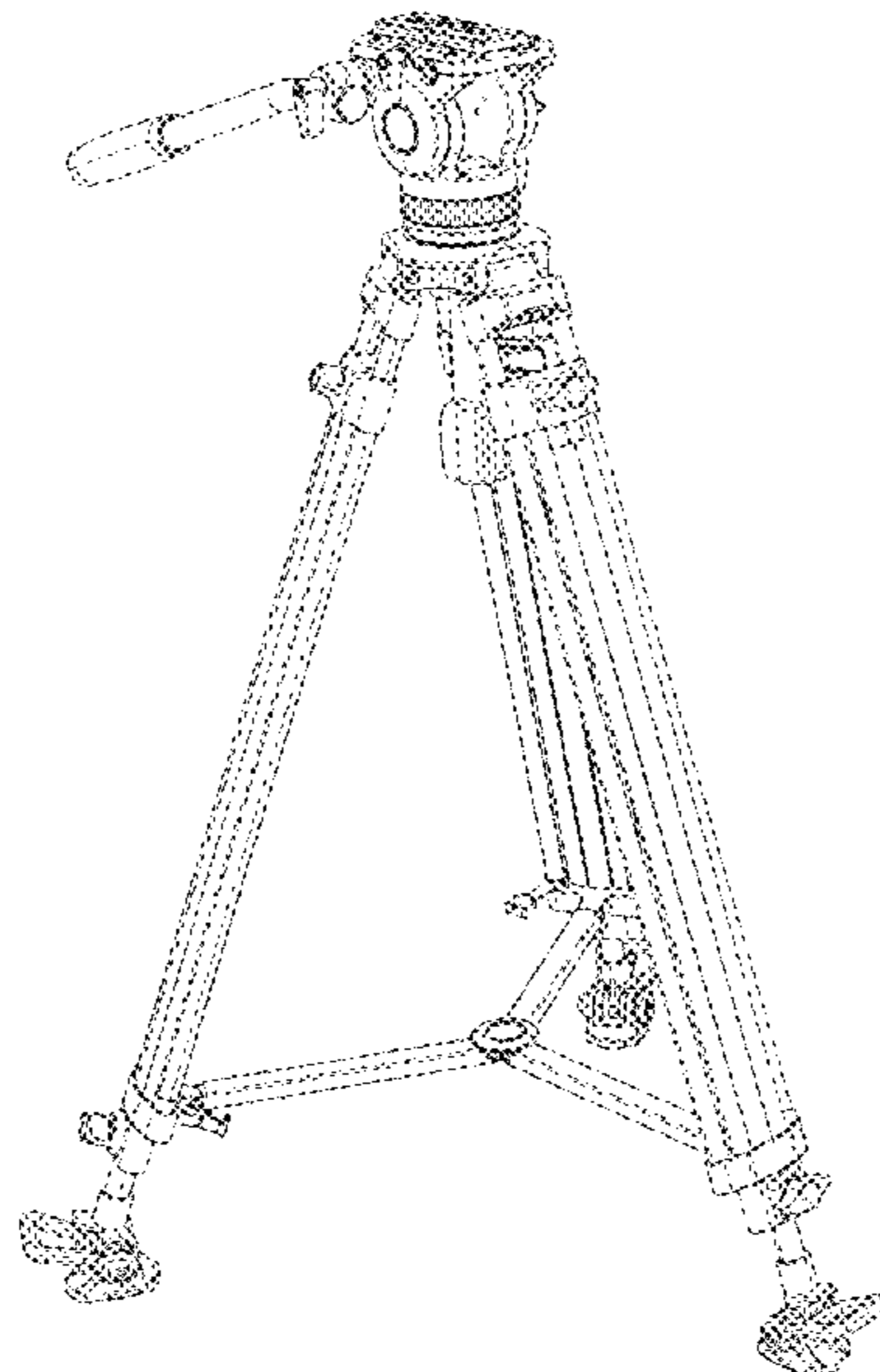
(57) **CLAIM**

The ornamental design for a tripod, as shown and described.

**DESCRIPTION**

FIG. 1 is a perspective view of a tripod showing our new design;  
FIG. 2 is a front view thereof;  
FIG. 3 is a rear view thereof;  
FIG. 4 is a right side view thereof;  
FIG. 5 is a left side view thereof;  
FIG. 6 is a bottom view thereof; and,  
FIG. 7 is a top view thereof.

**1 Claim, 7 Drawing Sheets**



(56)

**References Cited**

U.S. PATENT DOCUMENTS

D908,165 S \* 1/2021 Holland ..... D16/244  
2009/0072100 A1\* 3/2009 Zierer ..... F16M 11/34  
248/169  
2010/0064739 A1\* 3/2010 Lu ..... F16M 11/34  
70/57

OTHER PUBLICATIONS

An introduction to video tripods, [online] Published May 31, 2019.  
Retrieved from URL: [https://www.dpreview.com/articles/1809219624/  
an-introduction-to-video-tripods](https://www.dpreview.com/articles/1809219624/an-introduction-to-video-tripods) (Year: 2019).\*

Viltrox VX-18M Heavy-Duty Video Tripod with VT-01 Fluid Head.  
[online] Retrieved Feb. 11, 2021 from URL: [https://www.bhphotovideo.  
com/c/product/1467019-REG/viltrox\\_vx\\_18m\\_camcorder\\_aluminum\\_  
alloy.html](https://www.bhphotovideo.com/c/product/1467019-REG/viltrox_vx_18m_camcorder_aluminum_alloy.html) (Year: 2021).\*

\* cited by examiner

FIG. 1

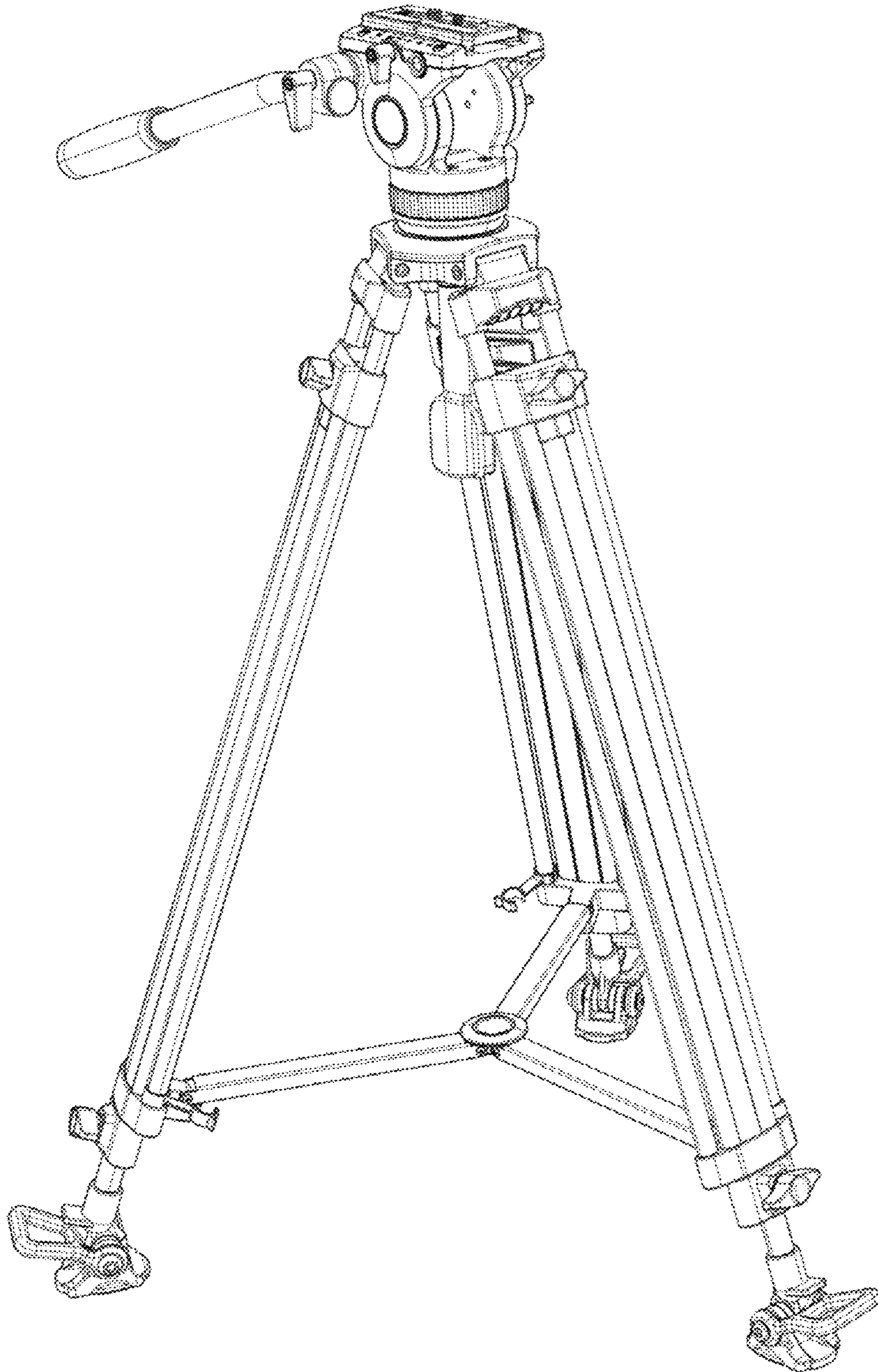
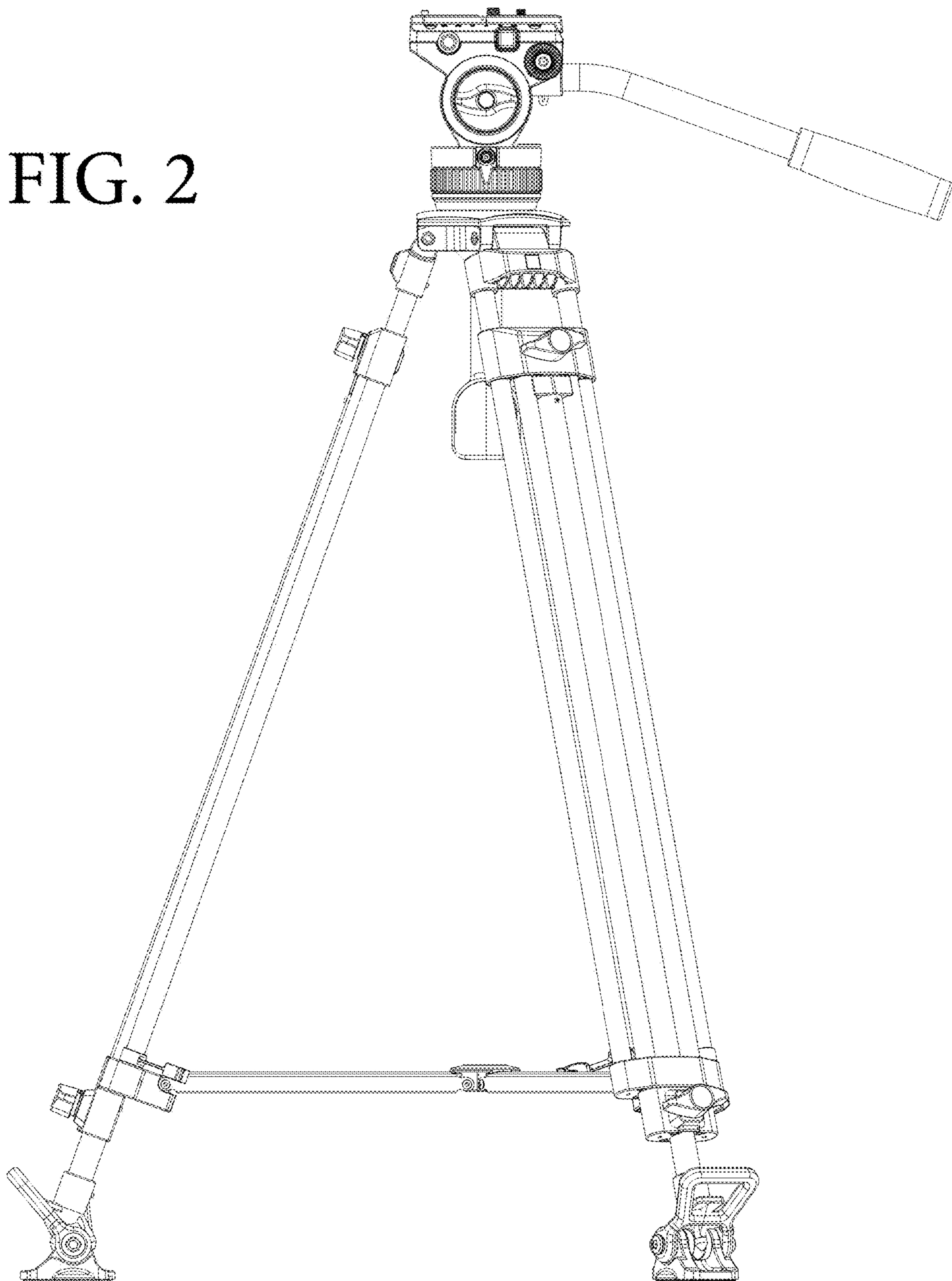
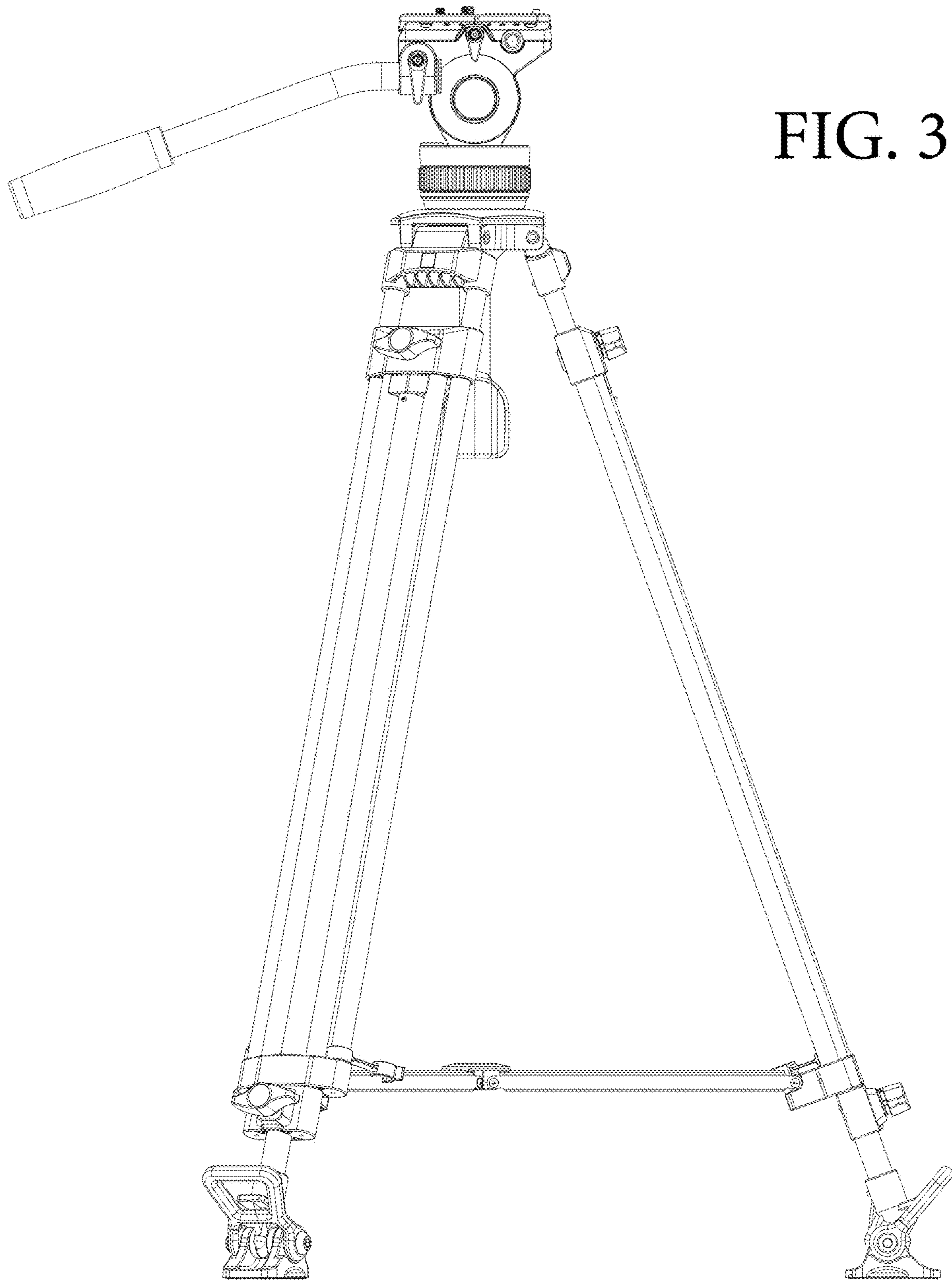


FIG. 2





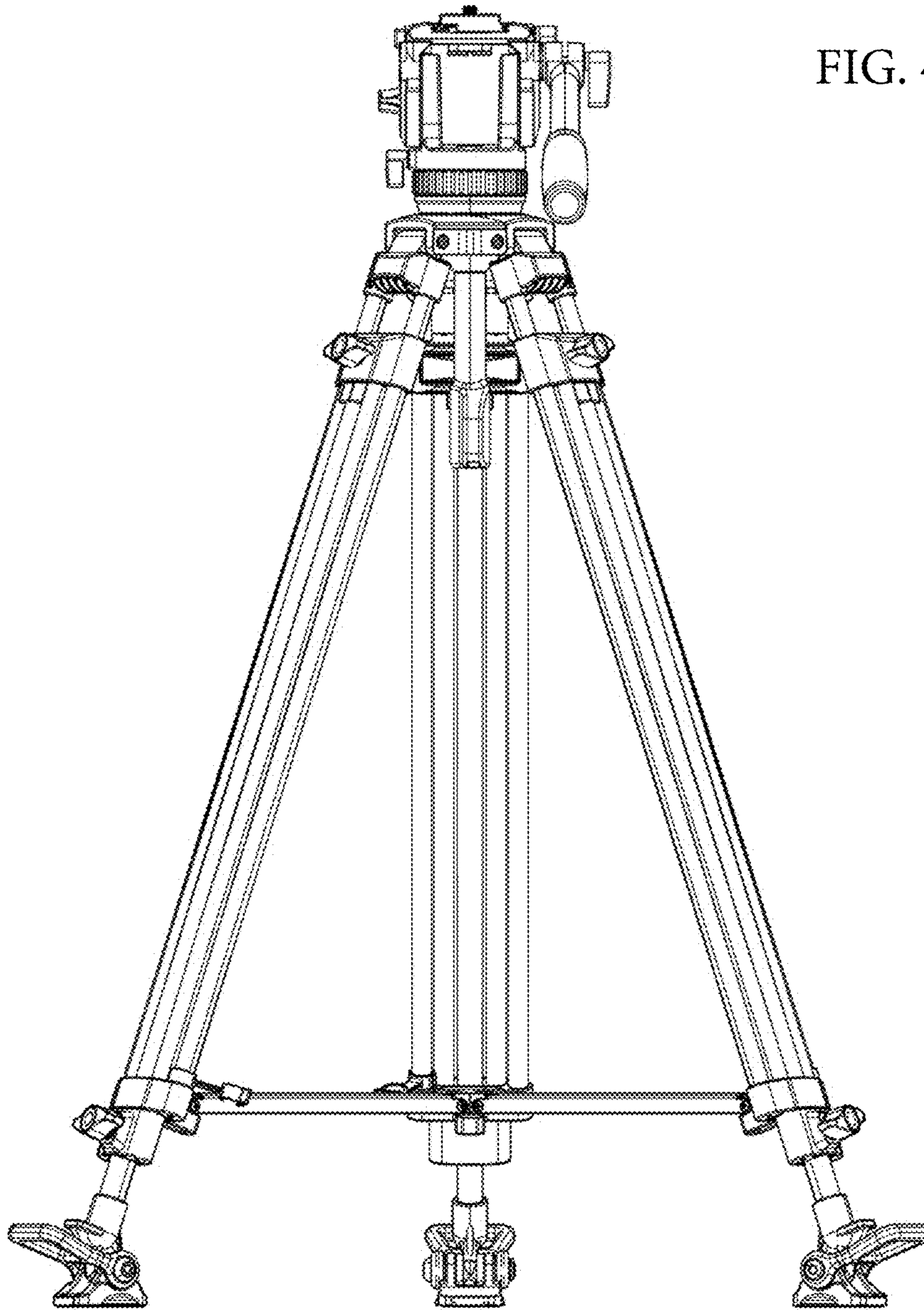


FIG. 4

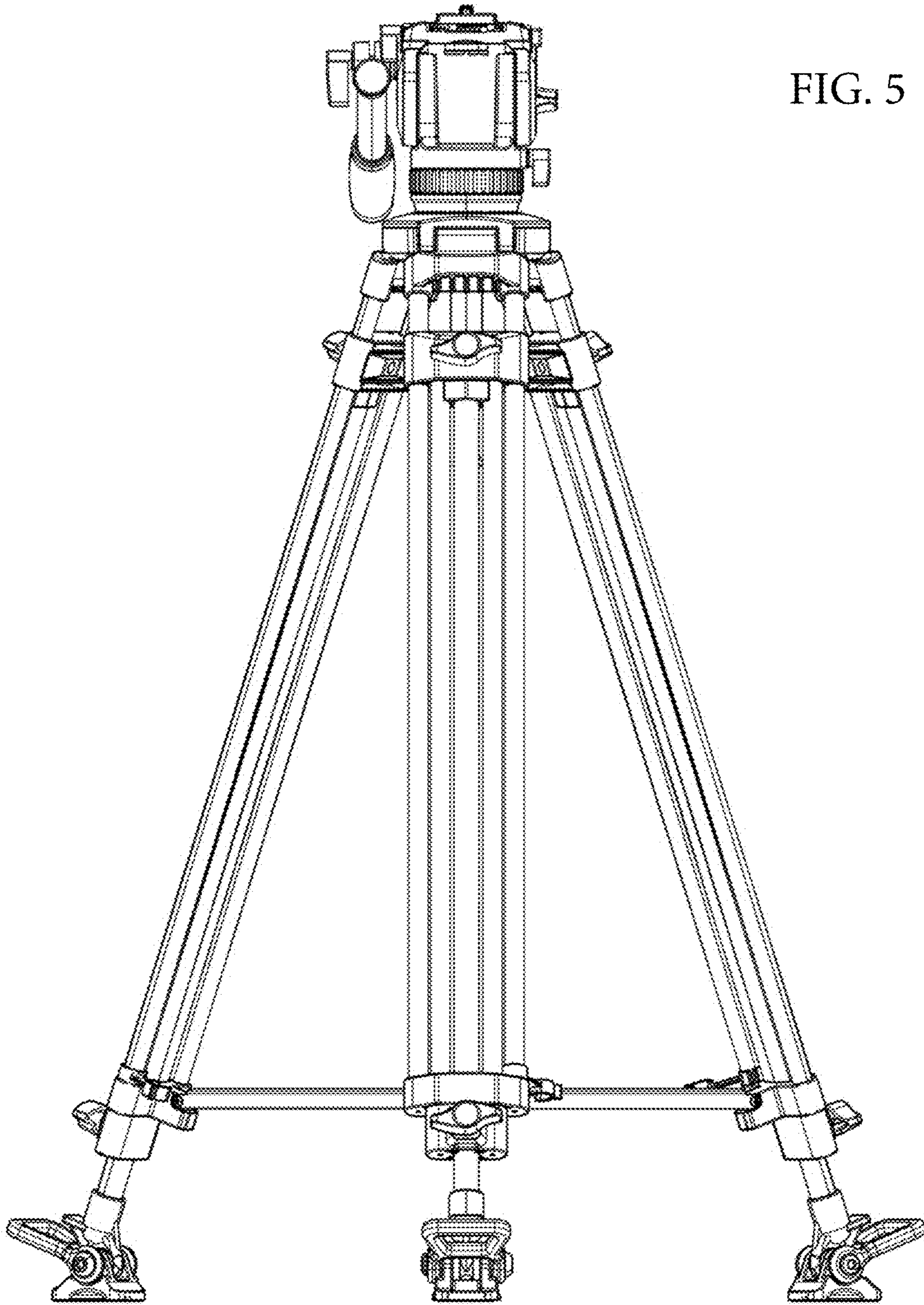


FIG. 6

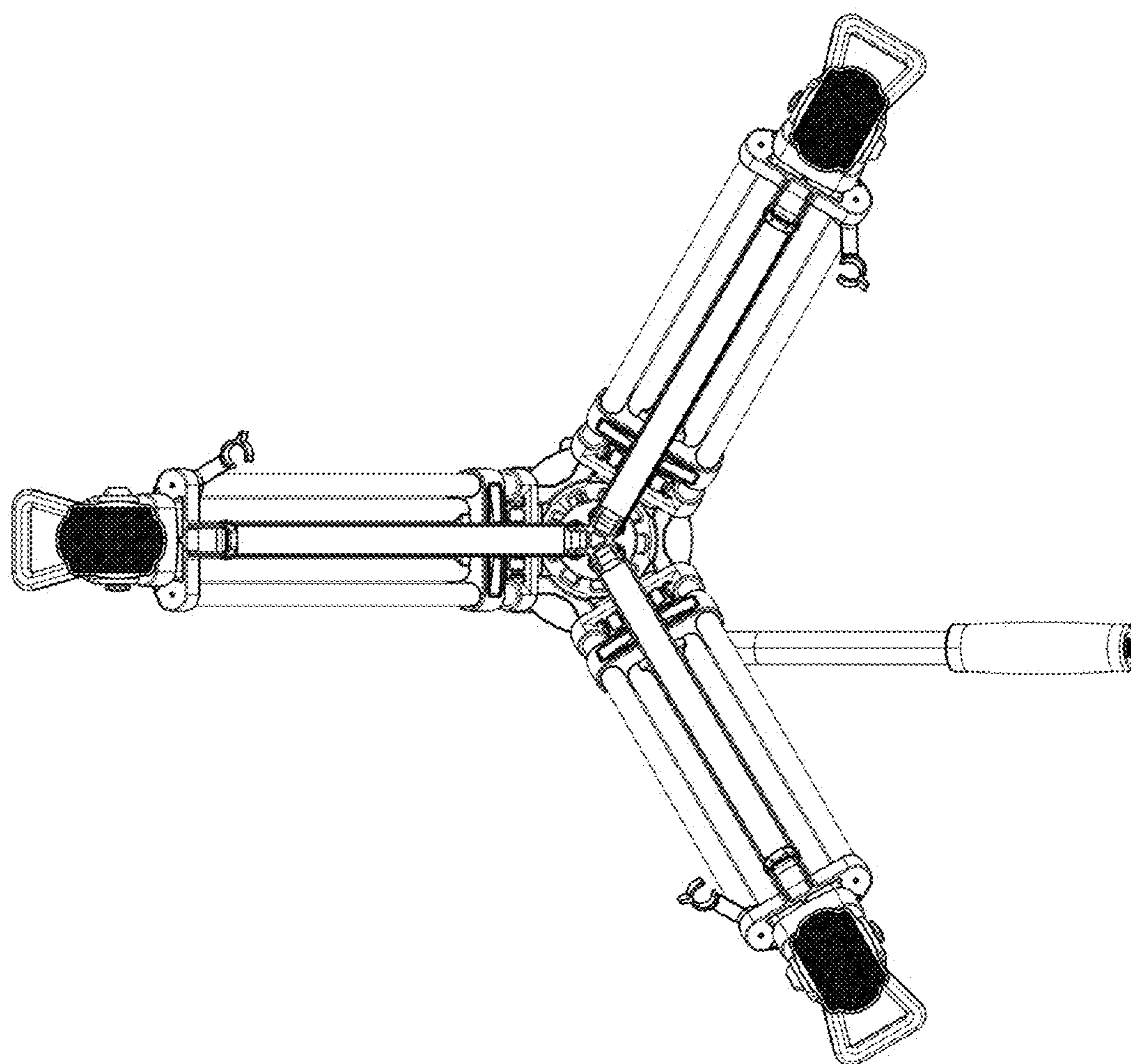




FIG. 7

