



US00D974452S

(12) **United States Design Patent**  
**He et al.**

(10) **Patent No.:** **US D974,452 S**  
(45) **Date of Patent:** **\*\* Jan. 3, 2023**

(54) **GIMBAL**

- (71) Applicant: **SZ DJI Technology Co., Ltd.**,  
Shenzhen (CN)
- (72) Inventors: **Baichuan He**, Shenzhen (CN); **Yichao Wang**, Shenzhen (CN)
- (73) Assignee: **SZ DJI Technology Co., Ltd.**,  
Shenzhen (CN)

- (\*\*) Term: **15 Years**
- (21) Appl. No.: **29/750,785**
- (22) Filed: **Sep. 16, 2020**

- (51) **LOC (14) Cl.** ..... **16-05**
- (52) **U.S. Cl.**  
USPC ..... **D16/243**

- (58) **Field of Classification Search**  
USPC ..... D8/300, 303, 306, 307, 321, 323, 324,  
D8/325, 349, 363, 373, 394; D14/313,  
D14/316, 317, 324, 341, 372, 375, 376,  
D14/377, 432, 203.3, 203.5, 482, 224,  
D14/217, 229, 250, 251, 345, 253;  
D16/206, 211, 214, 234, 235, 236, 239,  
D16/242, 243, 244, 245, 250, 237, 136,  
D16/240, 203.8, 194, 195, 208, 219;  
D21/329, 330, 331, 333, 385, 514  
CPC ..... F16M 11/00; F16M 11/06; F16M 11/08;  
F16M 11/10; F16M 11/14; F16M 11/18;  
F16M 11/20; F16M 11/041; F16M  
11/105; F16M 11/123; F16M 11/2007;  
F16M 11/2014; F16M 11/2021; F16M  
11/2028; F16M 11/2035; F16M 13/00;  
F16M 13/005; F16M 13/02; F16M 13/04;  
F16M 13/06; F16M 2200/00; F16M  
2200/04; F16M 2200/08; F16M  
2200/041; F16M 2200/042;  
(Continued)

(56) **References Cited**

**U.S. PATENT DOCUMENTS**

- D794,109 S 8/2017 Zheng et al.
- D794,606 S \* 8/2017 Zheng ..... D14/217  
(Continued)

**FOREIGN PATENT DOCUMENTS**

- CN 304589002 \* 4/2018
- CN 304737779 \* 7/2018

(Continued)

**OTHER PUBLICATIONS**

FeiyuTech AK2000C Gimbal Camera Handheld Stabilizer with OLED Touch Screen, product available Sep. 30, 2018 [online], pictured review Aug. 6, 2019 [online], [site visited Feb. 11, 2022]; URL: <https://www.amazon.com/FeiyuTech-AK2000-Stabilizer-Panasonic-Payload/dp/B07HVMS58D> (Year: 2018).\*

(Continued)

*Primary Examiner* — Bao-Yen T Nguyen

*Assistant Examiner* — Loryn K. Leblanc

(74) *Attorney, Agent, or Firm* — Sterne, Kessler,  
Goldstein & Fox P.L.L.C.

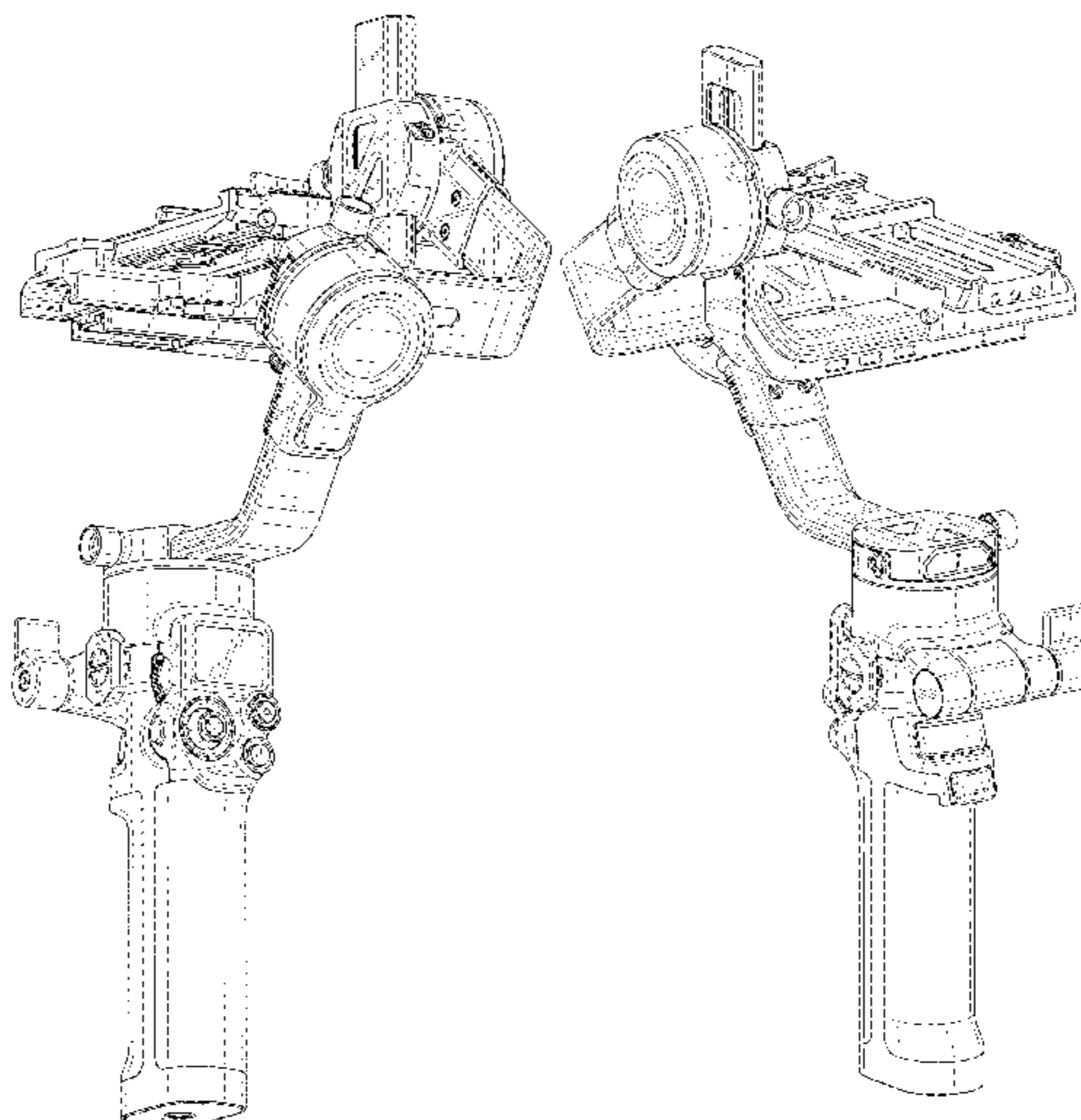
(57) **CLAIM**

The ornamental design for a gimbal, as shown and described.

**DESCRIPTION**

FIG. 1 is a bottom front perspective view of a gimbal showing the claimed design;  
FIG. 2 is a top rear perspective view thereof;  
FIG. 3 is a front view thereof;  
FIG. 4 is a rear view thereof;  
FIG. 5 is a left side view thereof;  
FIG. 6 is a right side view thereof  
FIG. 7 is a top view thereof; and,  
FIG. 8 is a bottom view thereof.  
The broken lines in the figures show portions of the gimbal that form no part of the claimed design.

**1 Claim, 8 Drawing Sheets**



(58) **Field of Classification Search**

CPC ..... F16M 2200/044; F16M 2200/045; F16M 2200/047; F16M 2200/048; G01C 21/18; G03B 17/561; G03B 17/563; G05D 1/0016; G05D 3/12; G05B 19/042; G08C 19/00; G08C 17/02; G08C 23/04; G10L 15/22; G10L 2015/223; H04N 5/23203  
See application file for complete search history.

CN	305869736	*	6/2020
CN	306359827	*	3/2021
CN	306613081	*	6/2021
CN	306713972	*	7/2021
CN	306950798	*	11/2021
EM	004677557-0002	*	1/2018
EM	005349511-0001	*	7/2018
EM	005662657-0001	*	9/2018
EM	005812617-0001	*	11/2018
IN	316773-001-0001	*	4/2019
IN	316774-001-0001	*	1/2020
JP	D1619546	*	11/2018
JP	D1619545	*	12/2018
JP	D1619546		12/2018
JP	D1648007		12/2019
JP	D1649380		1/2020
JP	D1649761		1/2020
JP	D1684287		4/2021
JP	D1684339	*	4/2021
JP	D1684609	*	5/2021
JP	D1695071	*	9/2021
JP	D1695162	*	9/2021

(56) **References Cited**

U.S. PATENT DOCUMENTS

D795,946	S	*	8/2017	Kim	.....	D16/206
9,851,046	B2	*	12/2017	Pan	.....	G05D 3/00
D810,171	S	*	2/2018	Kim	.....	D16/202
9,891,505	B1	*	2/2018	Wei	.....	F16M 13/02
D824,882	S	*	8/2018	Zheng	.....	D14/217
D826,310	S	*	8/2018	Wang	.....	D16/237
D836,699	S	*	12/2018	Kim	.....	D16/206
10,156,776	B1	*	12/2018	Wei	.....	G03B 17/561
10,174,879	B2	*	1/2019	Zhao	.....	F16M 11/18
10,240,714	B2	*	3/2019	Wei	.....	H04N 5/2328
D849,497	S	*	5/2019	Wang	.....	D8/71
D857,786	S	*	8/2019	Kim	.....	D14/217
D860,170	S	*	9/2019	Ding	.....	D16/206
10,400,939	B2	*	9/2019	Yan	.....	F16M 13/00
D863,411	S	*	10/2019	Liao	.....	D16/243
D866,647	S	*	11/2019	Kim	.....	D14/217
D868,877	S	*	12/2019	Lin	.....	D16/243
10,536,630	B2	*	1/2020	Enke	.....	G08B 13/19632
D879,186	S	*	3/2020	Fang	.....	D16/243
D894,257	S	*	8/2020	Kim	.....	D16/243
D897,314	S	*	9/2020	Ding	.....	D14/217
D909,455	S	*	2/2021	Shan	.....	D16/244
D911,310	S	*	2/2021	Ding	.....	D14/217
D916,171	S	*	4/2021	Li	.....	D16/243
D921,094	S	*	6/2021	Liao	.....	D16/242
11,028,967	B2	*	6/2021	Su	.....	F16M 11/205
D929,491	S	*	8/2021	Li	.....	D16/243
2017/0146892	A1	*	5/2017	Wei	.....	G03B 17/563
2019/0063668	A1	*	2/2019	Wei	.....	F16M 11/2071
2019/0063676	A1	*	2/2019	Wei	.....	F16M 11/123
2019/0214925	A1	*	7/2019	Wei	.....	H04M 1/04
2019/0349533	A1	*	11/2019	Guo	.....	F16M 11/205
2020/0003362	A1	*	1/2020	Su	.....	F16M 11/2085
2020/0041878	A1	*	2/2020	Lan	.....	G08C 23/04
2020/0284392	A1	*	9/2020	Su	.....	B64D 47/08
2020/0332944	A1	*	10/2020	Su	.....	F16M 13/00
2020/0333693	A1	*	10/2020	Tian	.....	F16M 11/2085
2021/0120179	A1	*	4/2021	Liu	.....	F16M 11/123
2021/0123564	A1	*	4/2021	Zhao	.....	G03B 17/563
2021/0156509	A1	*	5/2021	Liao	.....	F16M 13/04
2021/0164613	A1	*	6/2021	Wang	.....	H04N 5/23287
2021/0231260	A1	*	7/2021	Xie	.....	H02G 3/38
2021/0263395	A1	*	8/2021	Qian	.....	F16M 11/2014
2022/0003357	A1	*	1/2022	Liu	.....	G03B 17/561
2022/0034446	A1	*	2/2022	Liao	.....	F16M 11/38

FOREIGN PATENT DOCUMENTS

CN	304962938	*	12/2018
CN	305023097	*	2/2019
CN	305063105	*	3/2019
CN	305093213	*	4/2019
CN	305327396	*	8/2019

OTHER PUBLICATIONS

FeiyuTech G6 Max, product available Nov. 18, 2019 [online], video review May 21, 2021 [online], [site visited Feb. 11, 2022]:URL:<[https://www.amazon.com/gp/product/B081NFP4W8/ref=sw\\_img\\_1?smid=A390GPD4WDNOEI&th=1](https://www.amazon.com/gp/product/B081NFP4W8/ref=sw_img_1?smid=A390GPD4WDNOEI&th=1)> (Year: 2019).\*

Zhiyun Weebill 2 Review: Pros and Cons You Need to Know, video review Jul. 1, 2021 [online], [site visited Feb. 11, 2022]:URL:<<https://www.youtube.com/watch?v=-rIXGTUQHTw>> (Year: 2021).\*

Zhiyun Weebill S, product available Oct. 2019 [online], pictured review Sep. 5, 2020 [online], [site visited Feb. 11, 2022]:URL:<[https://www.amazon.com/gp/product/B07YZBKCK7/ref=sw\\_img\\_1?smid=A2UNOLTSWW1OOF&pvc=1](https://www.amazon.com/gp/product/B07YZBKCK7/ref=sw_img_1?smid=A2UNOLTSWW1OOF&pvc=1)> (Year: 2019).\*

Manfrotto Launches Its First Camera Gimbals, Takes on DJI and Zhiyun, article available Jul. 23, 2020 [online], pictured review Jul. 23, 2020 [online], [site visited Feb. 11, 2022]:URL:<<https://petapixel.com/2020/07/23/manfrotto-launches-its-first-camera-gimbals-takes-on-dji-and-zhiyun/>> (Year: 2020).\*

DJI Ronin-S—Camera Stabilizer, product available Jun. 6, 2018 [online], pictured review Aug. 22, 2019 [online], [site visited Feb. 11, 2022]:URL:<[https://www.amazon.com/gp/product/B07D519QXH/ref=ox\\_sc\\_act\\_title\\_1?smid=A1XZ628GGPLO7Q&th=1](https://www.amazon.com/gp/product/B07D519QXH/ref=ox_sc_act_title_1?smid=A1XZ628GGPLO7Q&th=1)> (Year: 2018).\*

DJI Ronin-SC, product available Jul. 16, 2019 [online], video review Jul. 26, 2019 [online], [site visited Feb. 11, 2022]:URL:<[https://www.amazon.com/dp/B07R48NZVD?ref=emc\\_p\\_m\\_5\\_i](https://www.amazon.com/dp/B07R48NZVD?ref=emc_p_m_5_i)> (Year: 2019).\*

DJI RS 2, product available unknown [online], no pictured/video review available [online], [site visited Feb. 11, 2022]:URL:<[https://store.dji.com/product/rs-2?site=brandsite&from=landing\\_page&vid=96711](https://store.dji.com/product/rs-2?site=brandsite&from=landing_page&vid=96711)> (Year: 2022).\*

DJI RSC 2, product available unknown [online], no pictured/video review available [online], [site visited Feb. 11, 2022]:URL:<[https://store.dji.com/product/rsc-2?site=brandsite&from=landing\\_page&vid=96771](https://store.dji.com/product/rsc-2?site=brandsite&from=landing_page&vid=96771)> (Year: 2022).\*

“DJI Ronin-S”, Salon Magazine, dated Aug. 2018, Japanese Patent Office Document No. HA30004489.

“EW Product: AK4000, AK2000”, Salon Magazine, dated Feb. 2019, Japanese Patent Office Document No. HA31000216.

\* cited by examiner

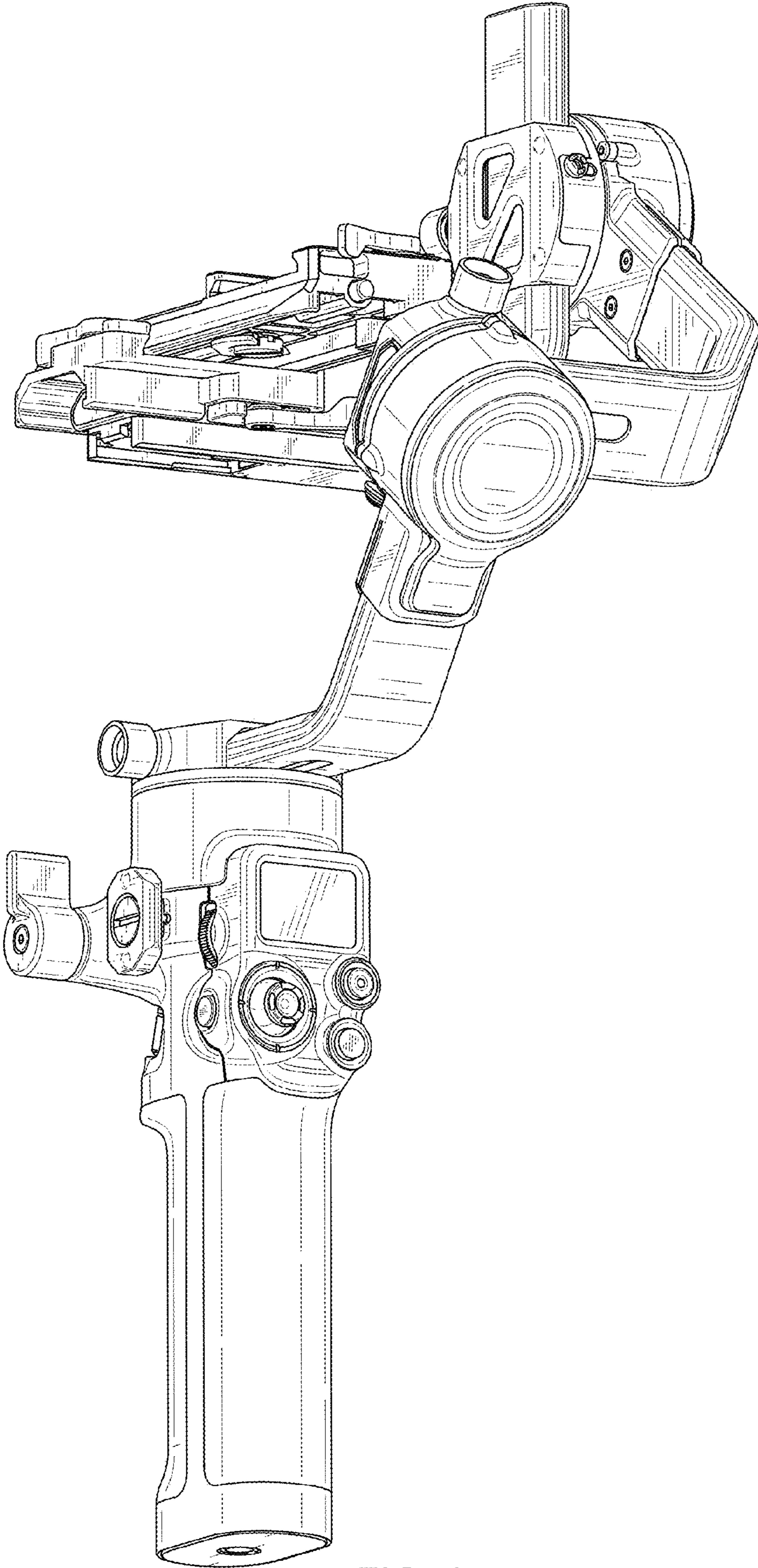


FIG. 1

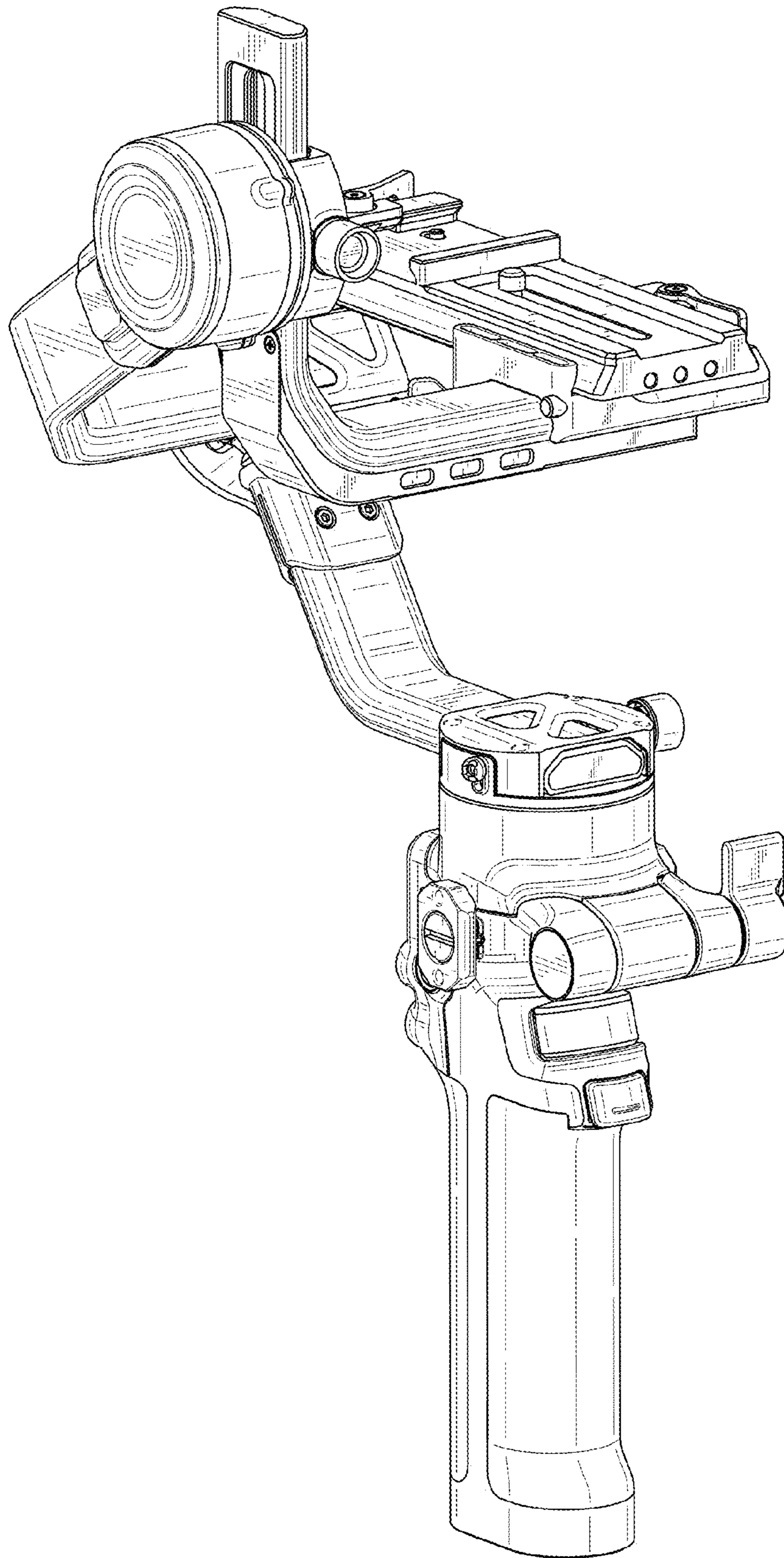


FIG. 2

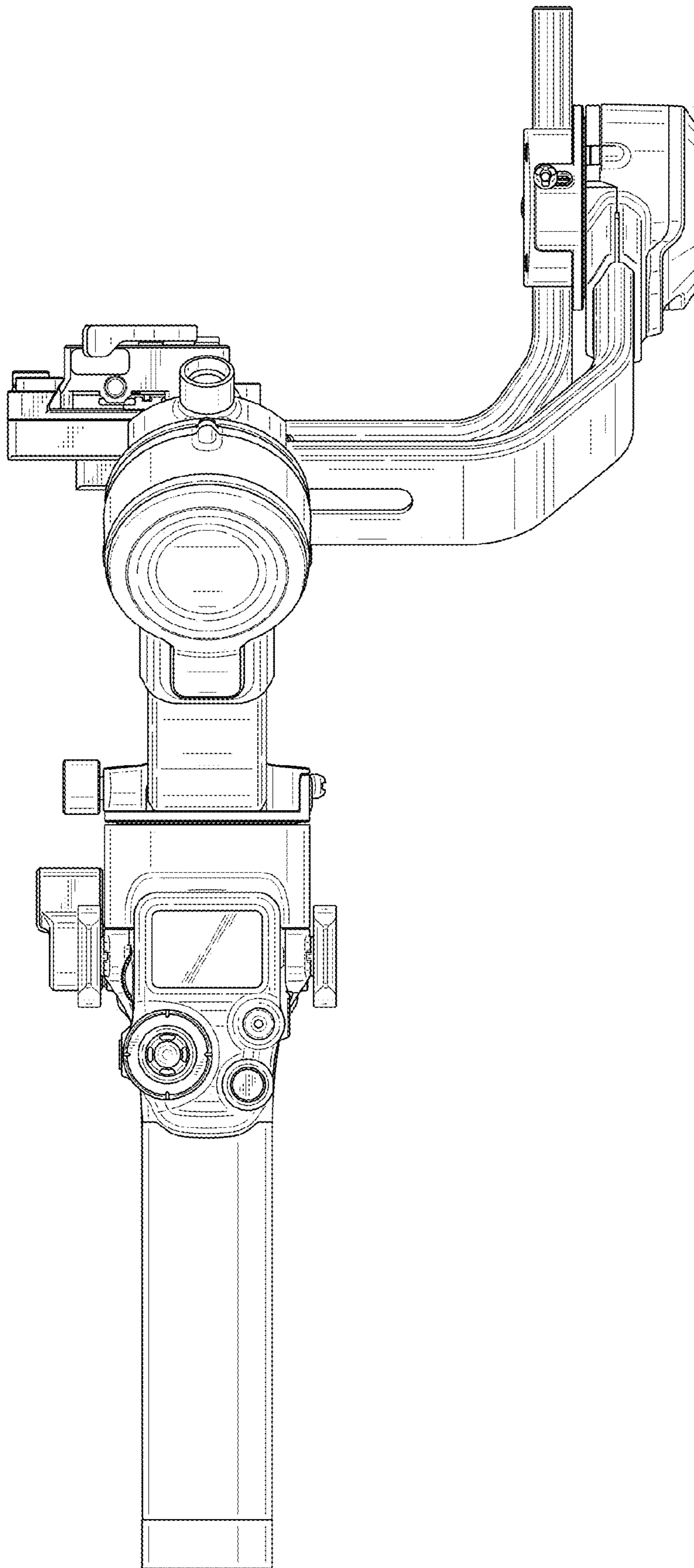


FIG. 3

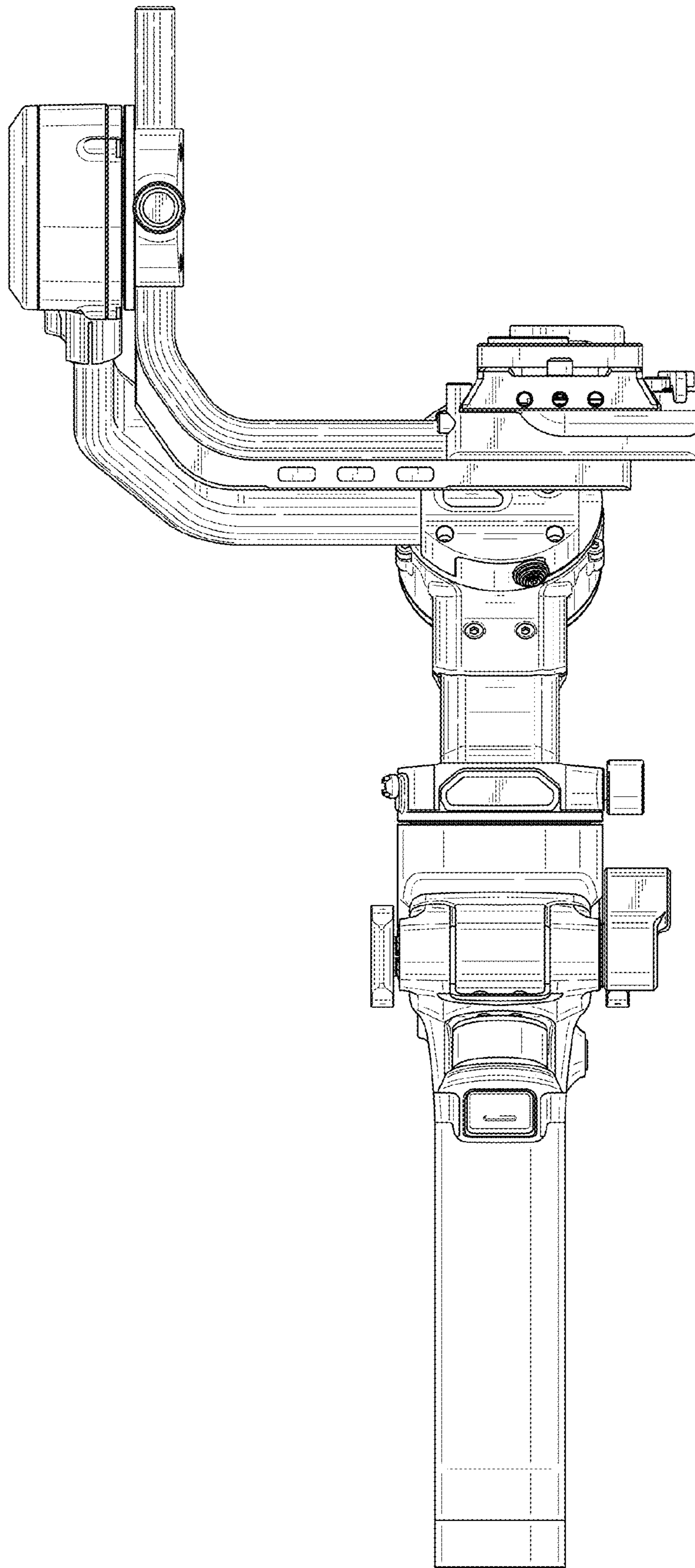


FIG. 4

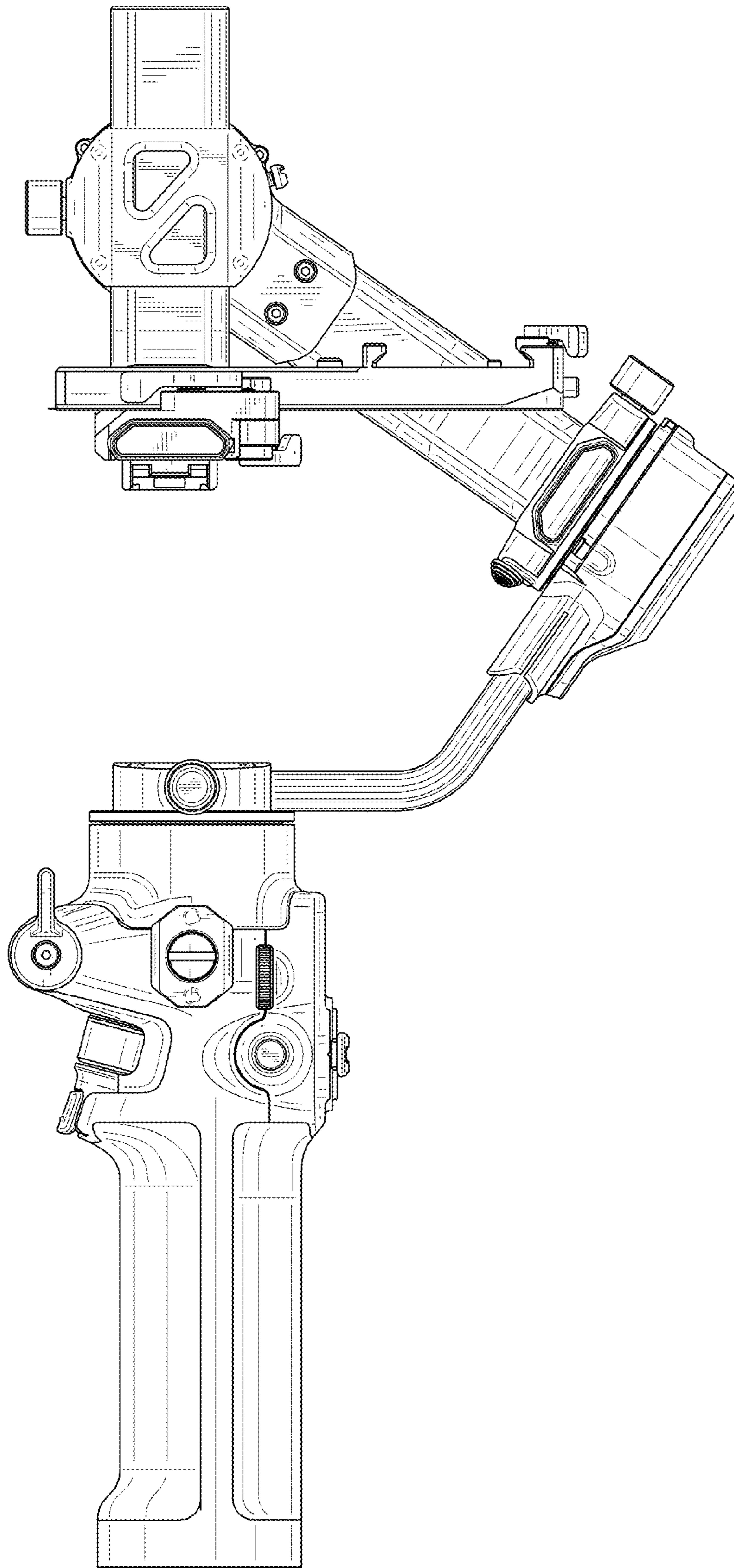


FIG. 5

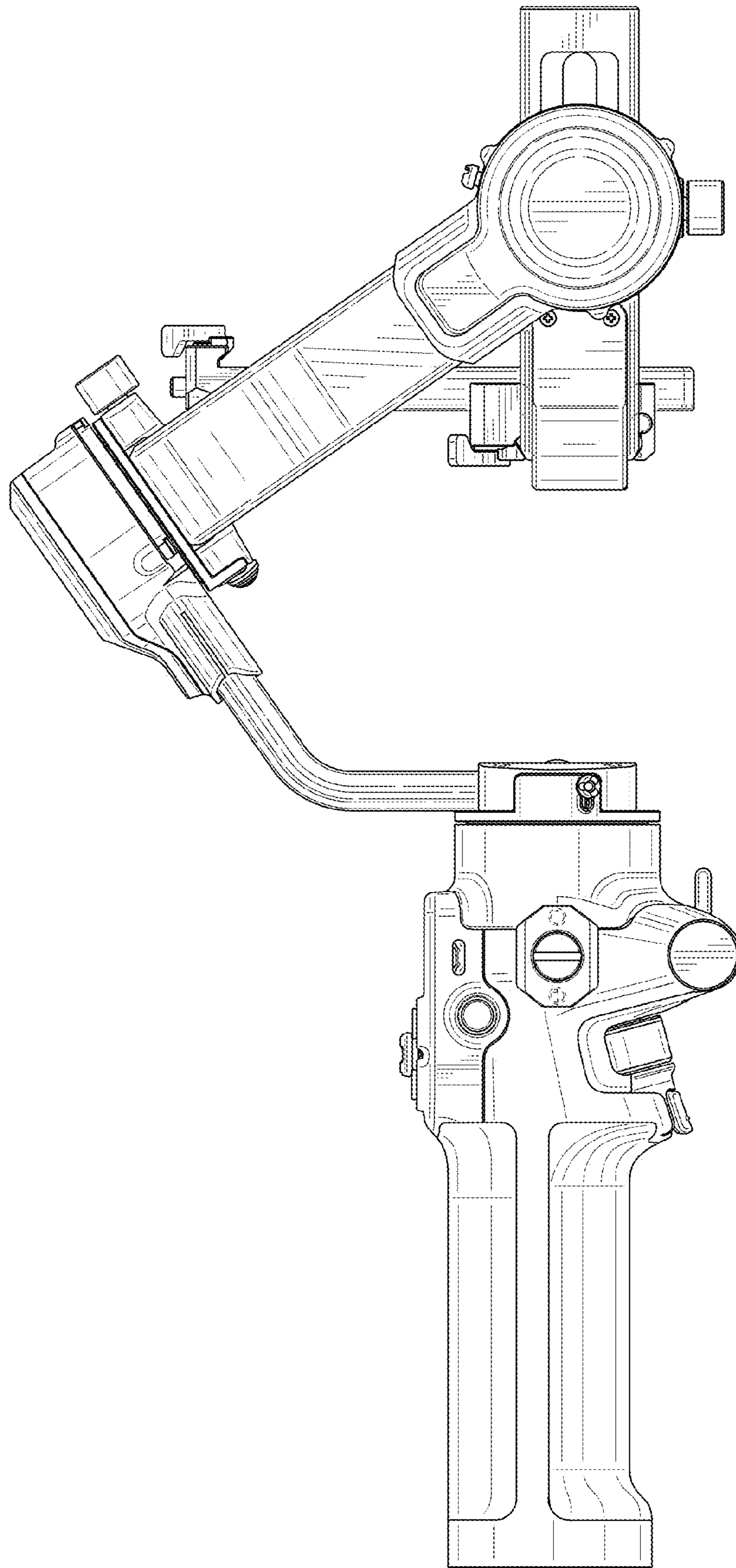


FIG. 6



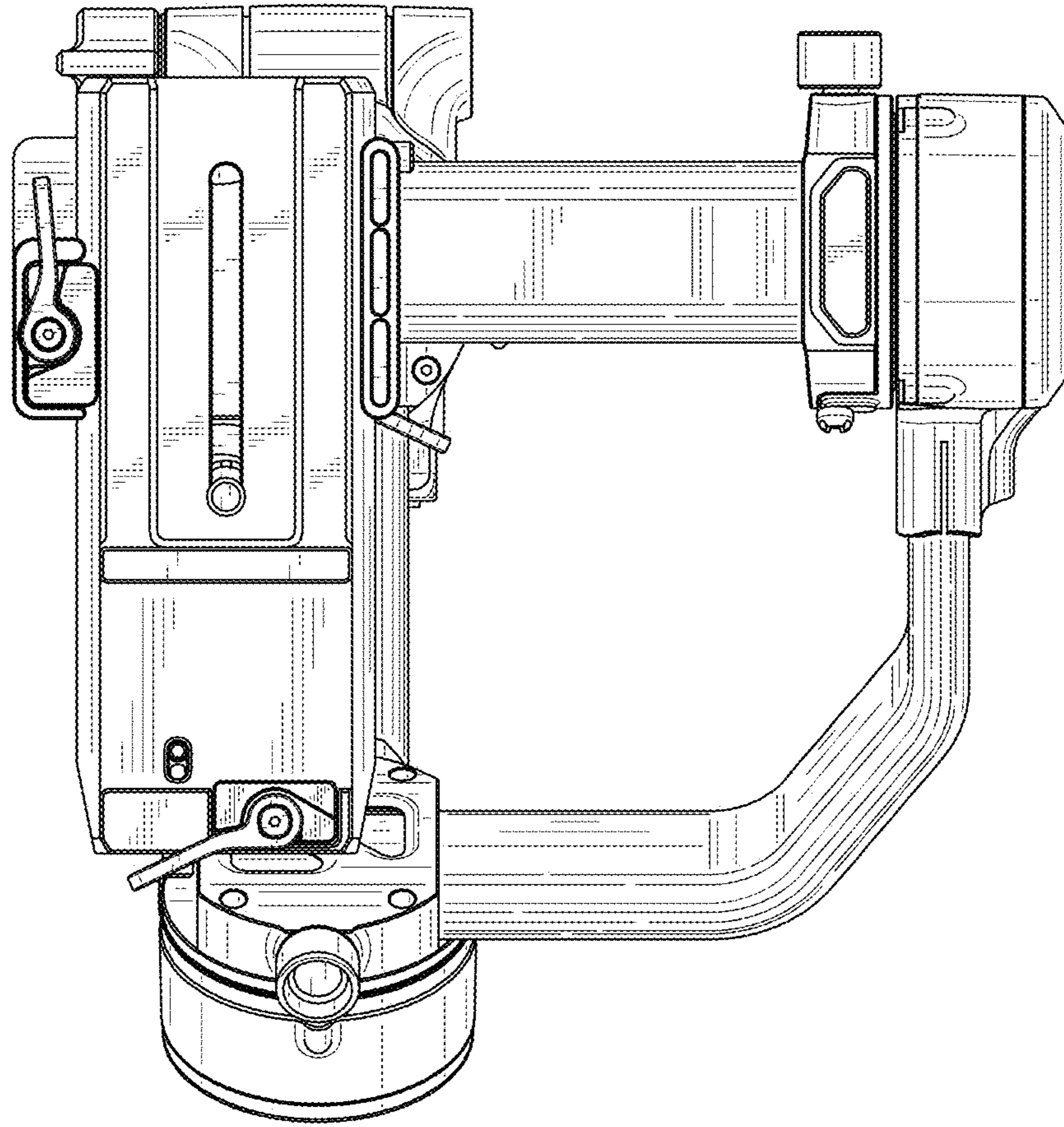


FIG. 7

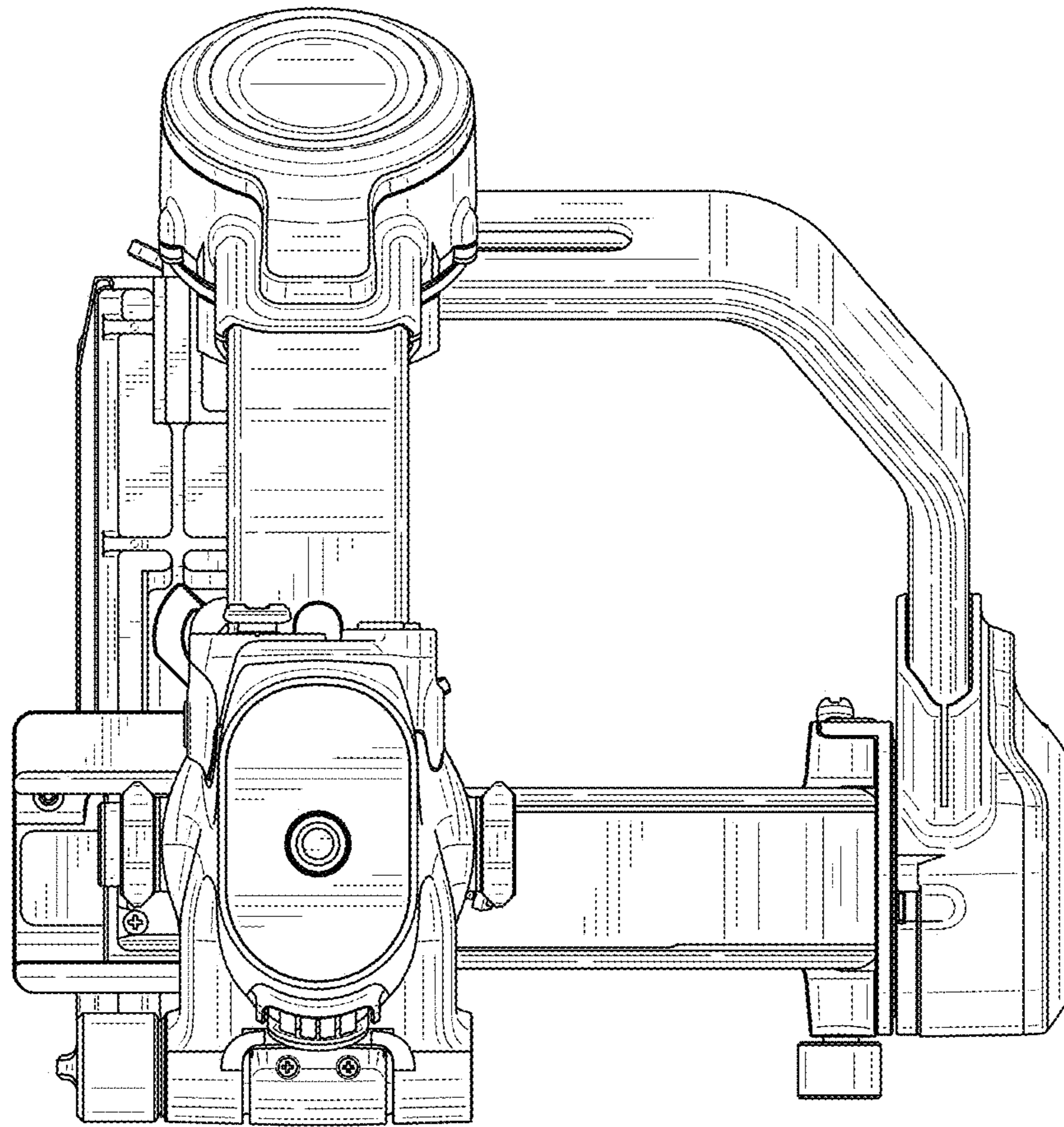


FIG. 8