



US00D974451S

(12) **United States Design Patent**
Wang

(10) **Patent No.:** **US D974,451 S**

(45) **Date of Patent:** **** Jan. 3, 2023**

(54) **PROJECTOR**

(71) Applicant: **Shenzhen Wanbo Technology Co., Ltd.**, Gugangdong (CN)

(72) Inventor: **Huanlong Wang**, Gugangdong (CN)

(73) Assignee: **SHENZHEN WANBO TECHNOLOGY CO., LTD.**, Gugangdong (CN)

(**) Term: **15 Years**

(21) Appl. No.: **29/773,776**

(22) Filed: **Mar. 11, 2021**

(30) **Foreign Application Priority Data**

Dec. 31, 2020 (CN) 202030823833.4

(51) **LOC (14) Cl.** **16-02**

(52) **U.S. Cl.**
USPC **D16/230**

(58) **Field of Classification Search**
USPC D16/221, 225, 230-231, 234; D21/514
CPC G03B 21/16; G03B 21/14; G03B 21/145;
G03B 21/00; G03B 21/001; G03B
21/003; G03B 21/12

See application file for complete search history.

(56) **References Cited**

U.S. PATENT DOCUMENTS

D503,733 S * 4/2005 Kurokawa D16/230
D555,185 S * 11/2007 Nozue D16/230

7,922,334 B2 * 4/2011 Zheng G03B 21/16
315/117
D670,322 S * 11/2012 Lee D16/230
D850,518 S * 6/2019 Gan D16/230
D854,072 S * 7/2019 Gan D16/230
D866,643 S * 11/2019 Liang D16/230
D943,657 S * 2/2022 Li D16/230
2008/0246929 A1 * 10/2008 Mao G03B 21/16
353/119
2008/0252858 A1 * 10/2008 Zheng G03B 21/16
353/58

* cited by examiner

Primary Examiner — Wan Laymon

(74) *Attorney, Agent, or Firm* — Muncy, Geissler, Olds & Lowe, P.C.

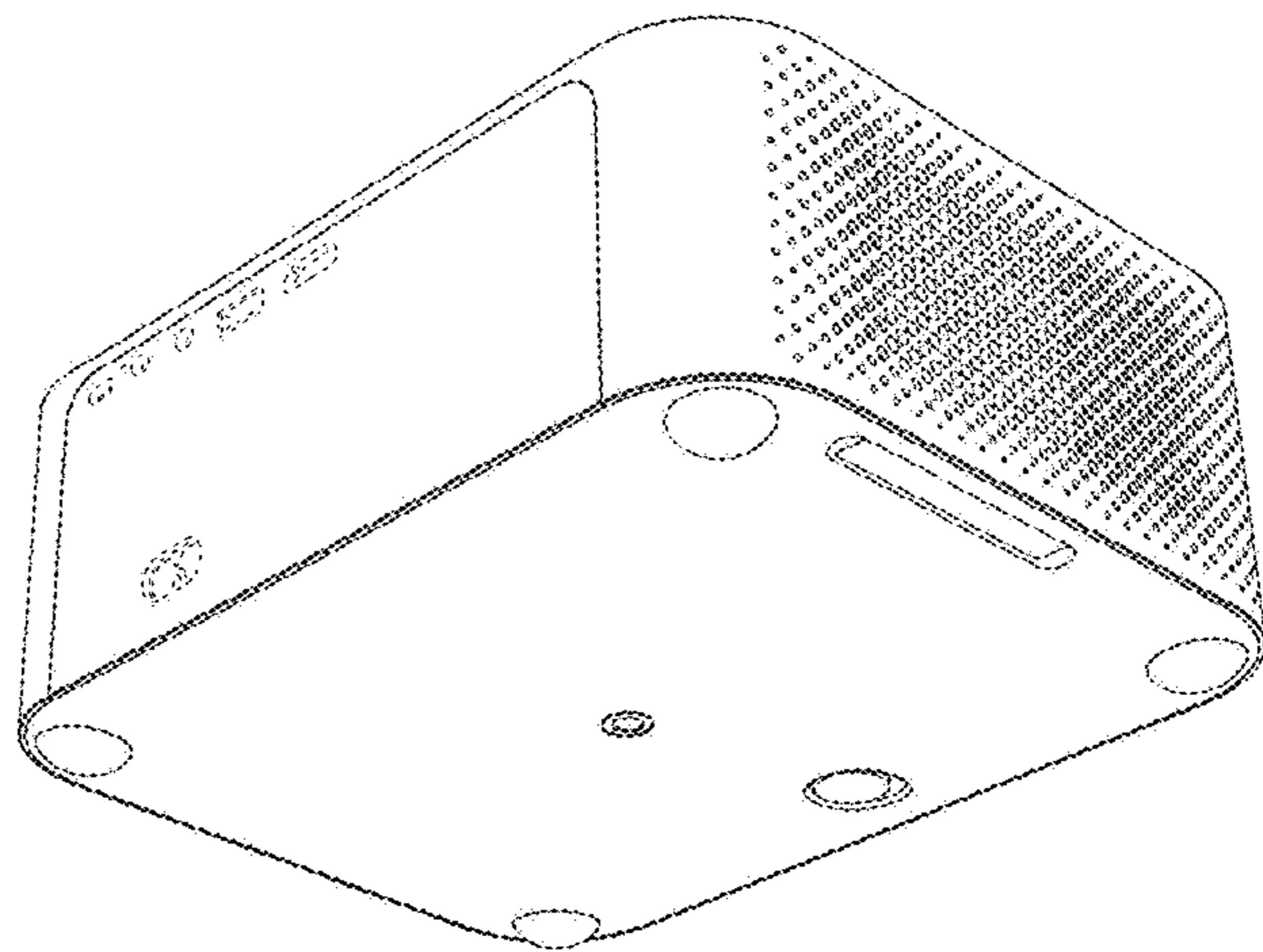
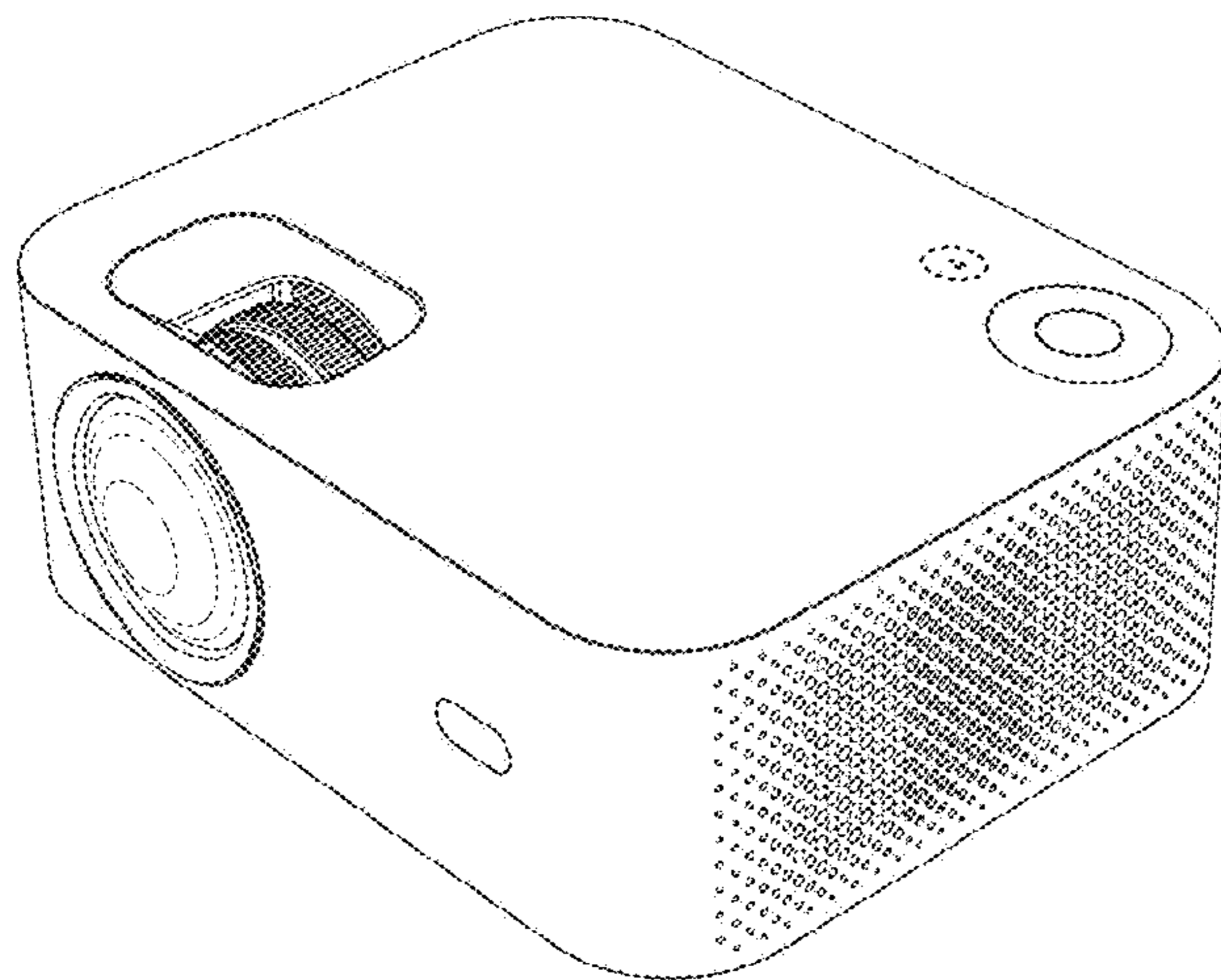
(57) **CLAIM**

The ornamental design for a projector, as shown and described.

DESCRIPTION

FIG. 1 is a front elevational view of a projector showing my new design;
FIG. 2 is a rear elevational view thereof;
FIG. 3 is a left side view thereof;
FIG. 4 is a right side view thereof;
FIG. 5 is a top plan view thereof;
FIG. 6 is a bottom plan view thereof;
FIG. 7 is a perspective view thereof; and,
FIG. 8 is another perspective view thereof.
The broken lines illustrate portions of the projector which form no part of the claimed design.

1 Claim, 8 Drawing Sheets



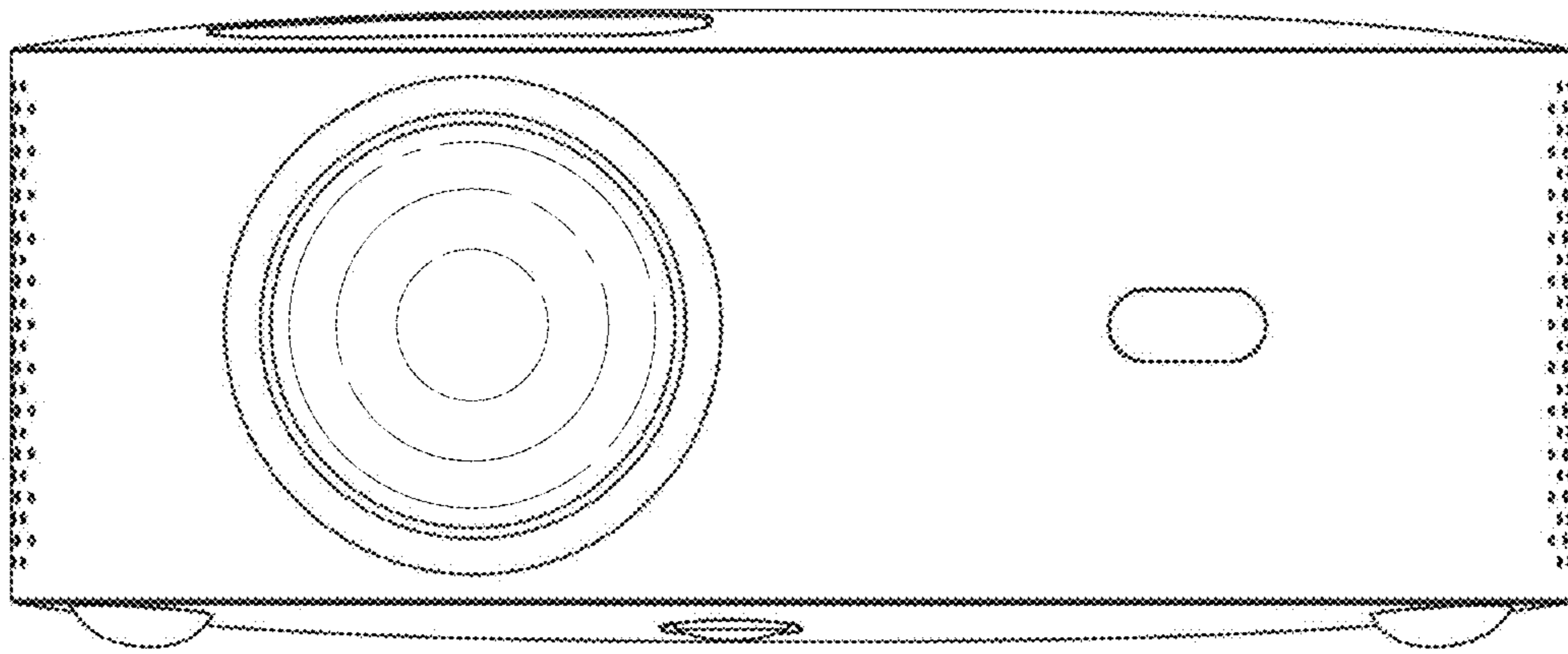


Fig. 1

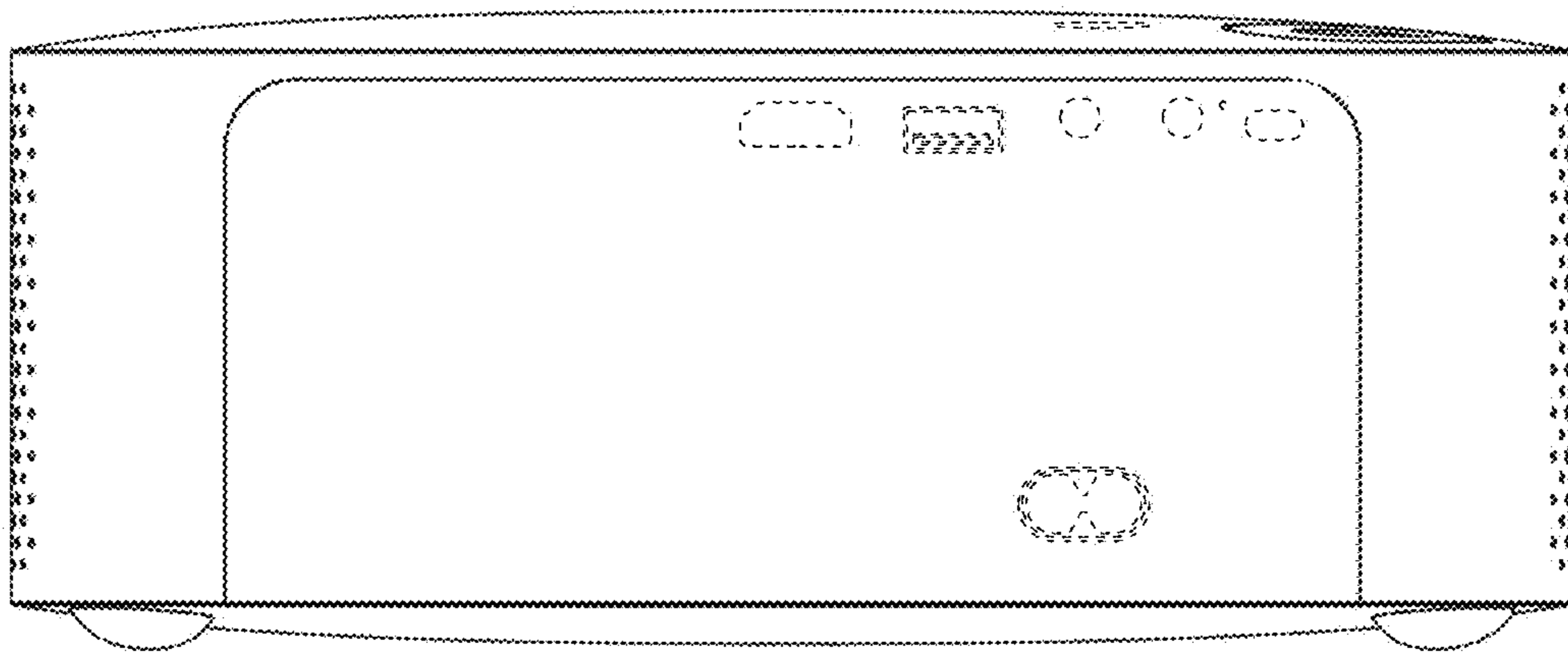


Fig. 2

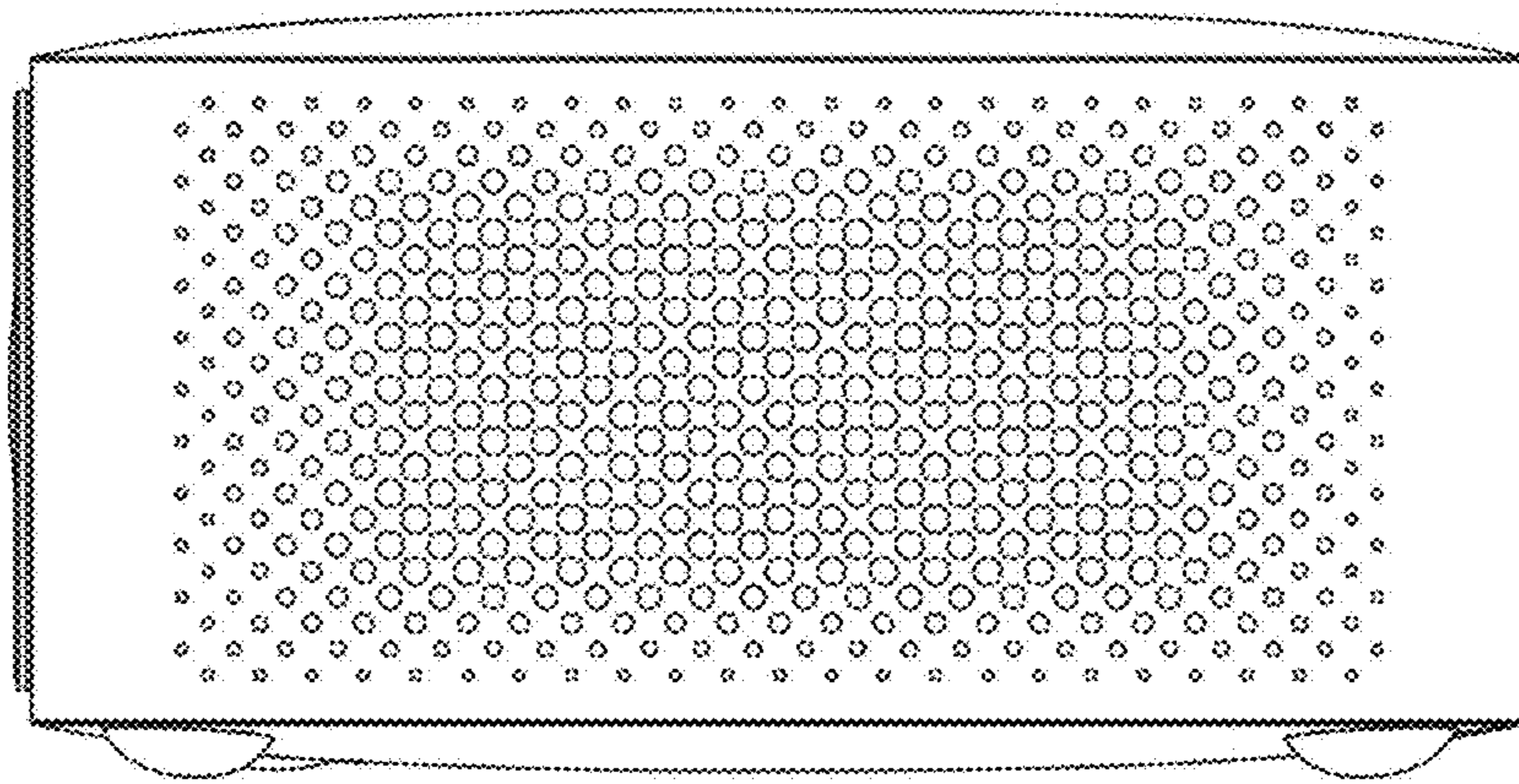


Fig. 3

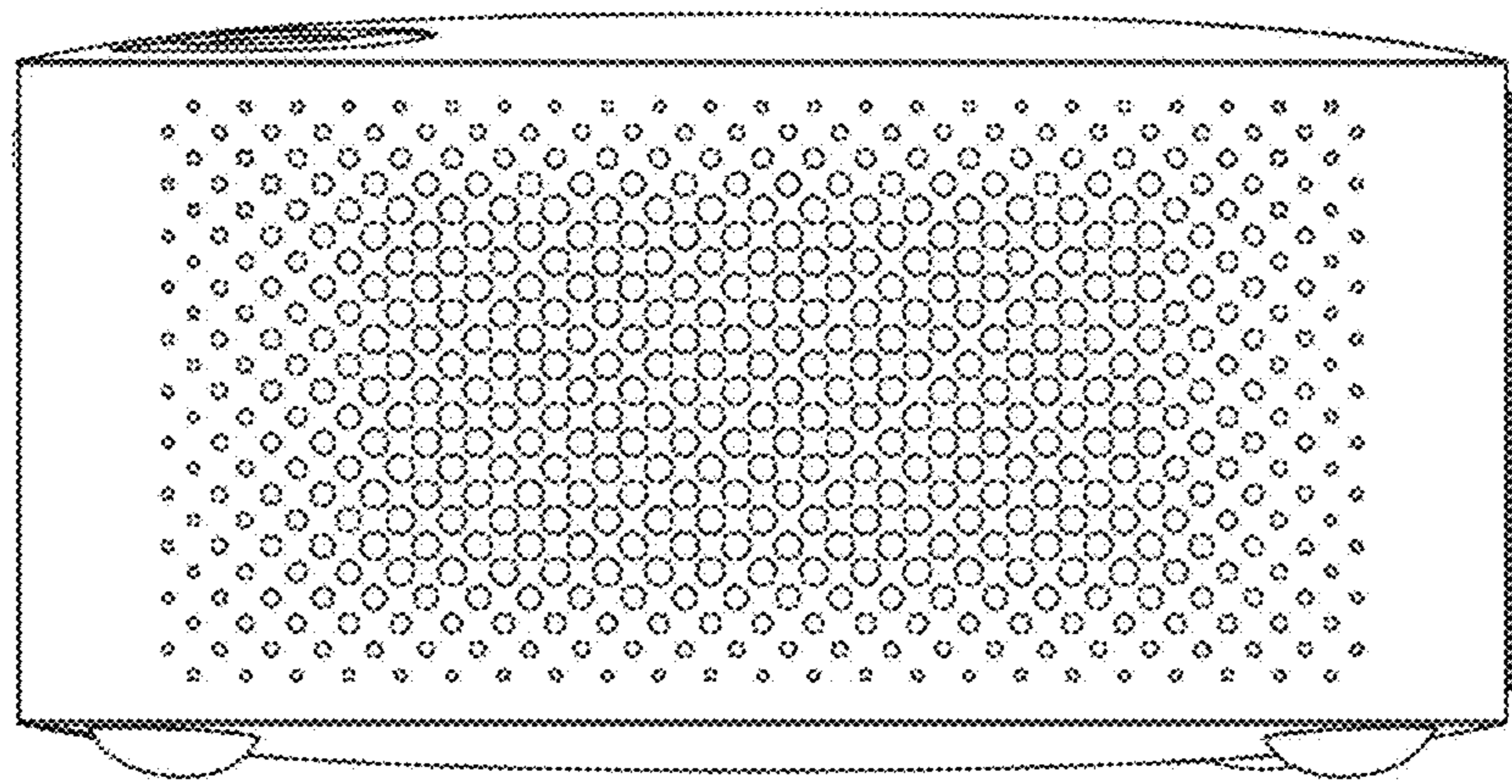


Fig. 4

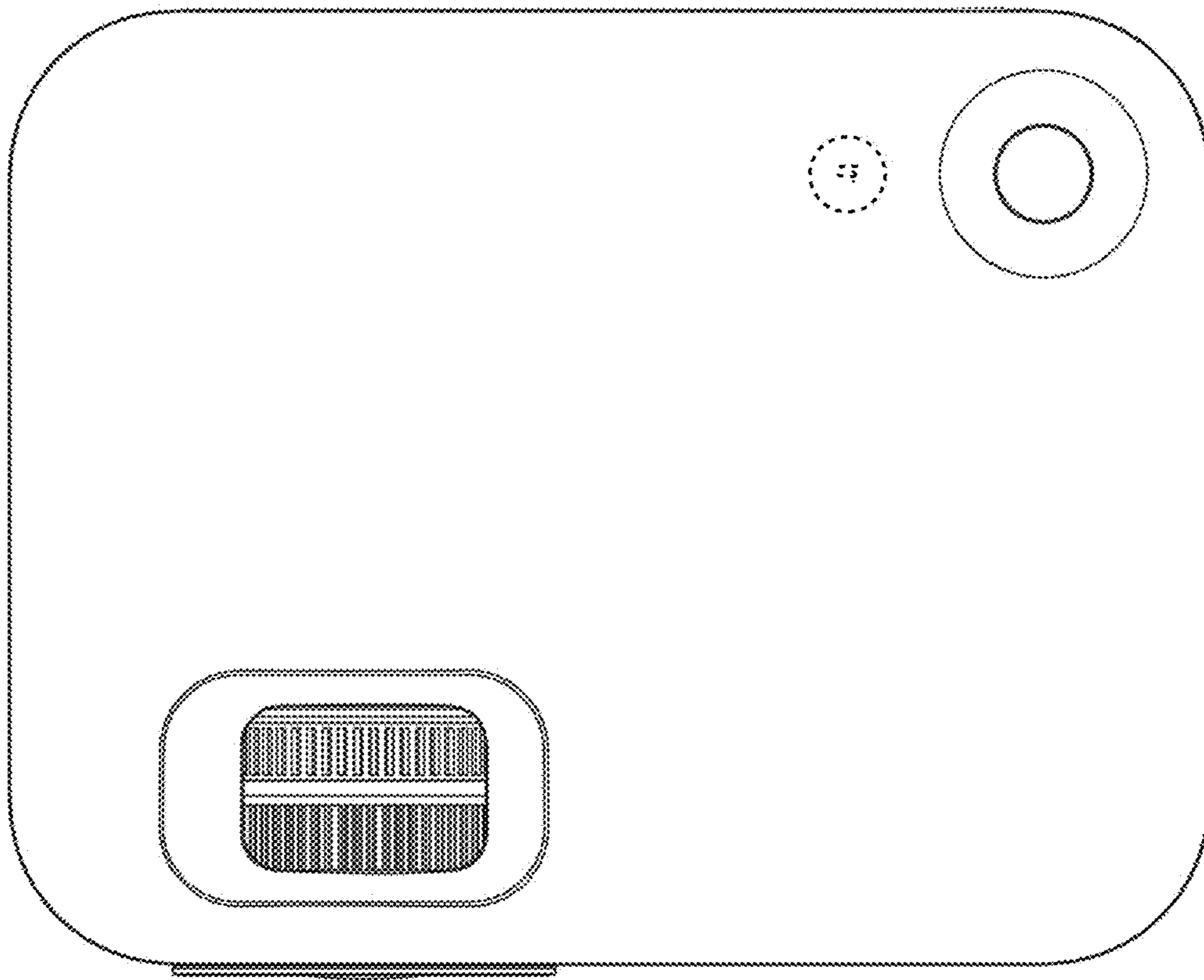


Fig. 5

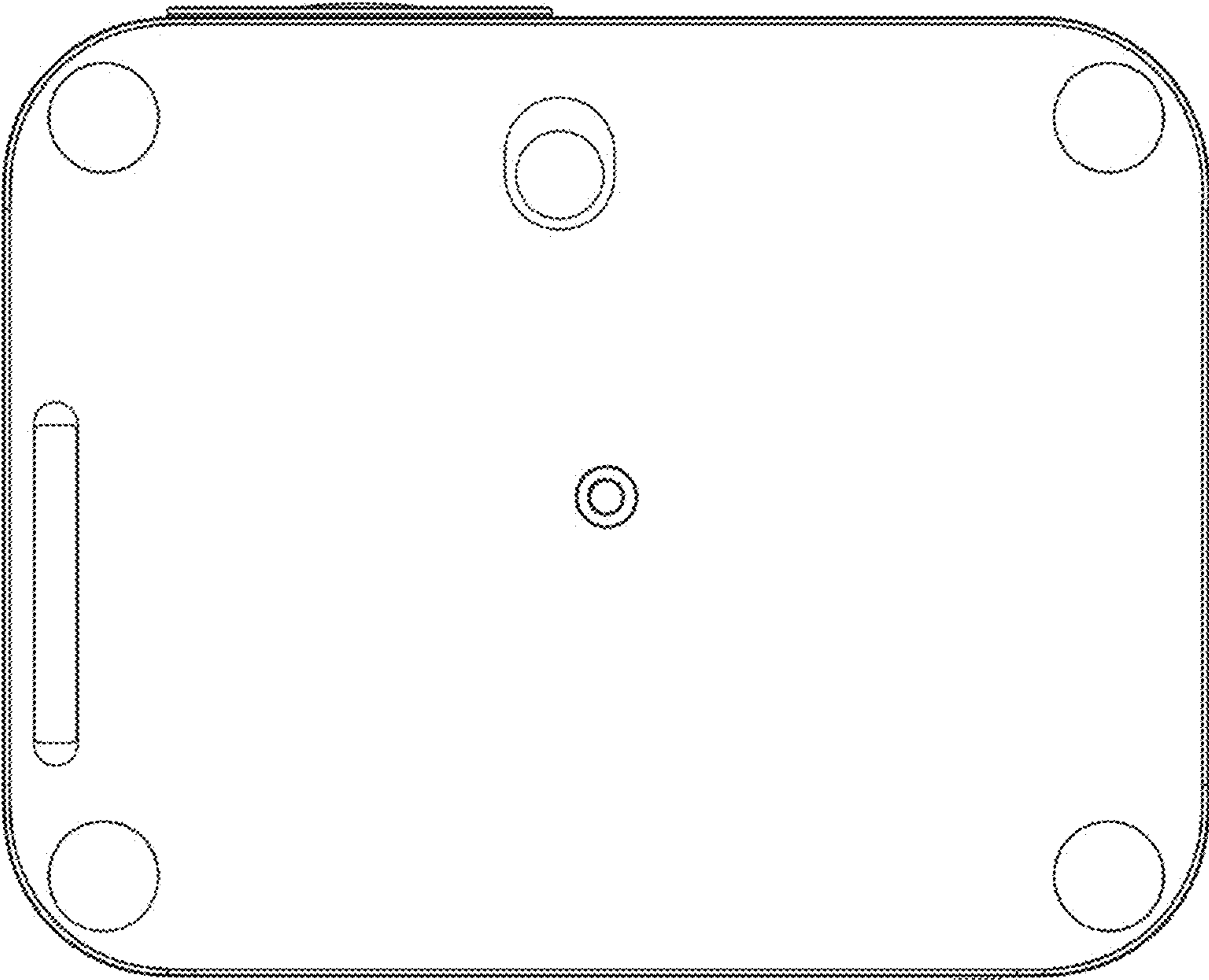


Fig. 6

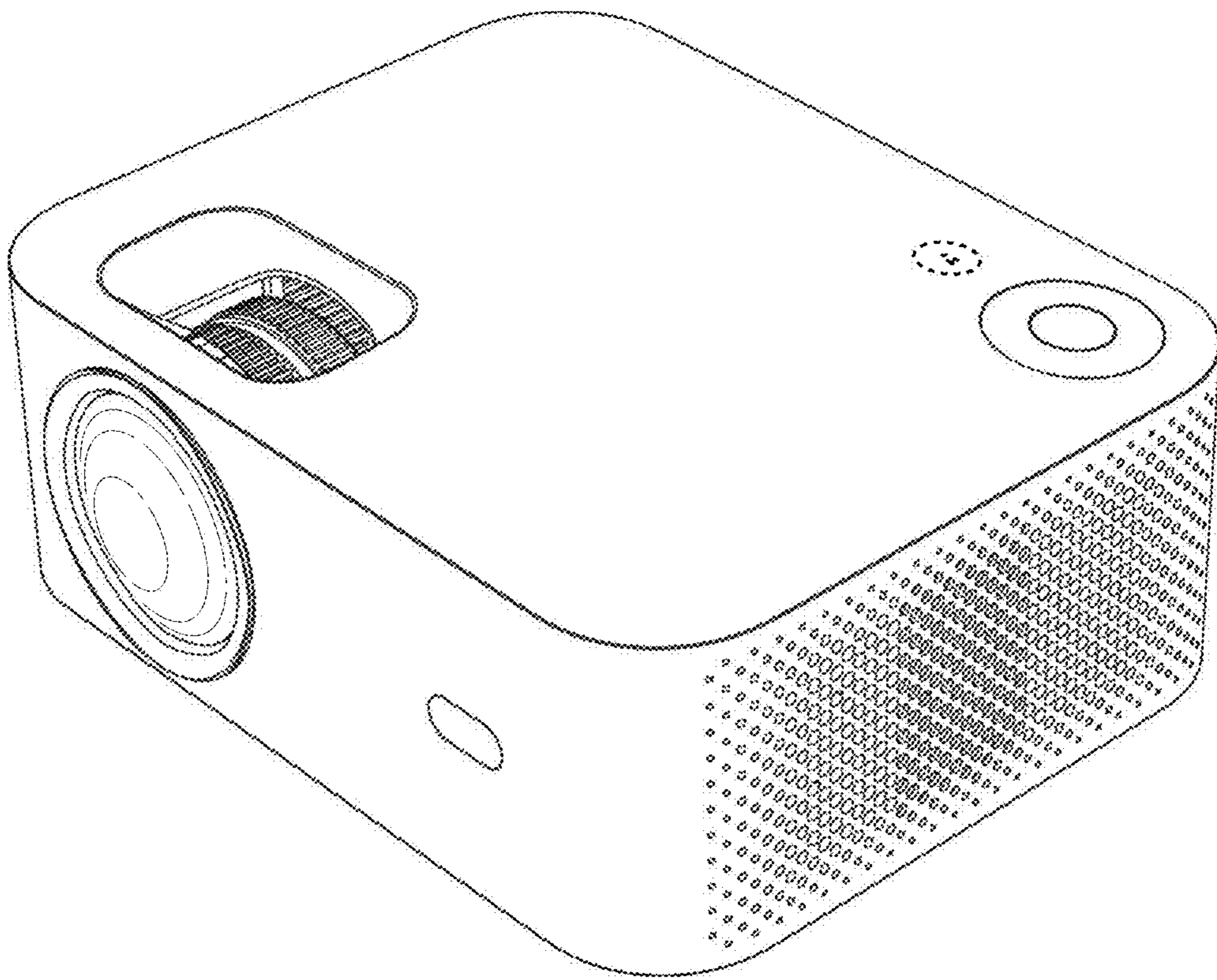


Fig. 7

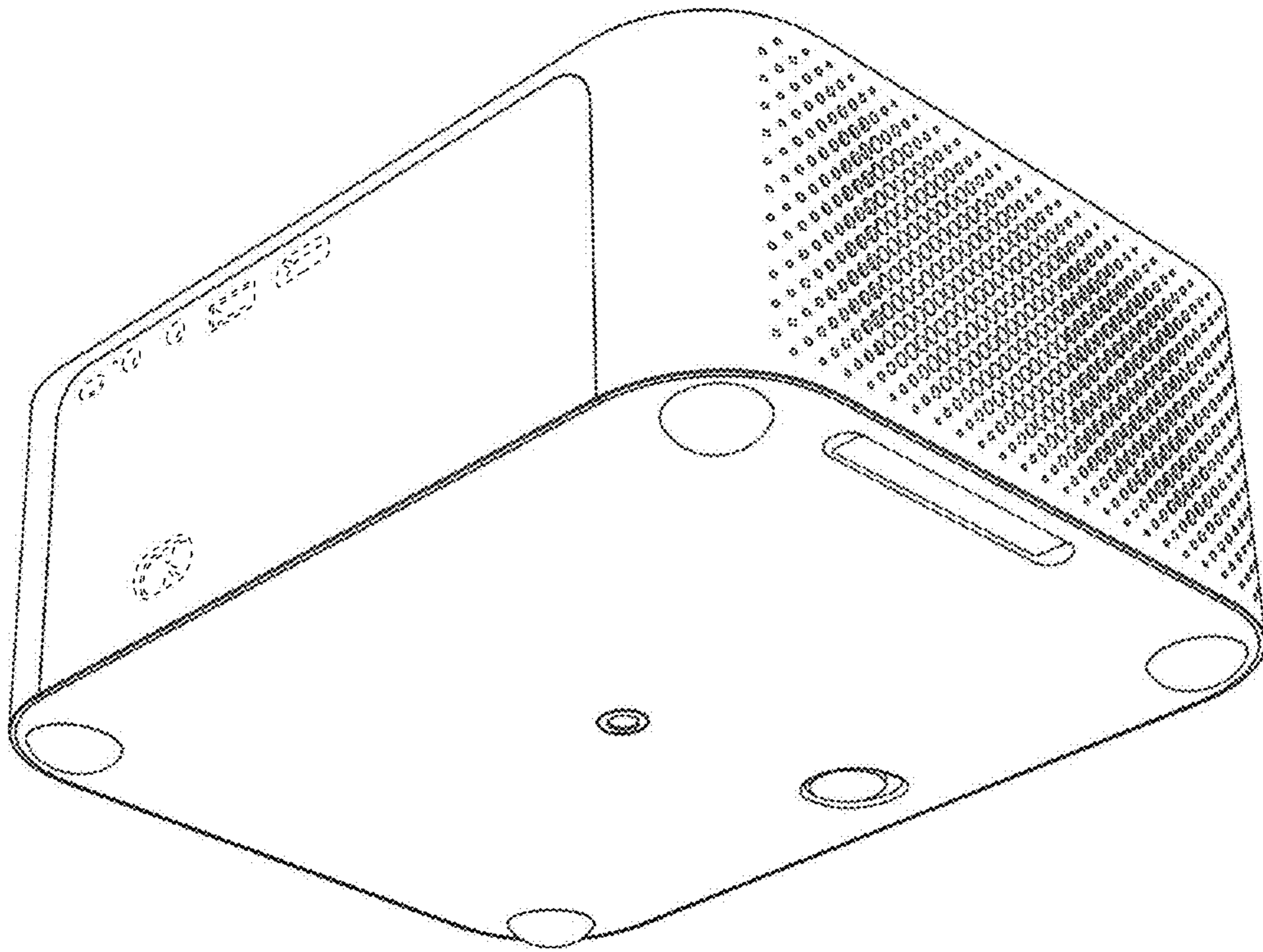


Fig. 8