



US00D974448S

(12) **United States Design Patent**
Jiang

(10) **Patent No.:** **US D974,448 S**

(45) **Date of Patent:** **** Jan. 3, 2023**

(54) **CAMERA**

(71) Applicant: **Shenzhen Zhuopu Digital Technology Co., Ltd., Shenzhen (CN)**

(72) Inventor: **Qingwen Jiang, Shenzhen (CN)**

(73) Assignee: **Shenzhen Zhuopu Digital Technology Co., Ltd., Shenzhen (CN)**

(**) Term: **15 Years**

(21) Appl. No.: **29/858,204**

(22) Filed: **Oct. 28, 2022**

(51) **LOC (14) Cl.** **16-01**

(52) **U.S. Cl.**
USPC **D16/203**

(58) **Field of Classification Search**
USPC D16/200, 202–206, 218, 219, 242
CPC G03B 17/02; G03B 19/04; G03B 17/56;
G03B 17/04; G03B 15/03; H04N 5/2251;
H04N 5/2252; H04N 5/2253; H04N
5/2254; H04N 7/181; H04N 7/183; H04N
7/18

See application file for complete search history.

(56) **References Cited**

U.S. PATENT DOCUMENTS

D906,398 S * 12/2020 Wang D16/208
D906,399 S * 12/2020 Wang D16/218
D908,765 S * 1/2021 Wang D16/203
D921,085 S * 6/2021 Li D16/203

D926,242 S * 7/2021 Lu D16/203
D934,941 S * 11/2021 Cheng
D936,722 S * 11/2021 Yu D16/202
D939,007 S * 12/2021 Wei D16/203
D940,781 S * 1/2022 Huang et al.
D943,656 S * 2/2022 Chen D16/203
D944,308 S * 2/2022 Li D16/203
D944,881 S * 3/2022 Li D16/203
D947,271 S * 3/2022 Chen D16/218
D965,664 S * 10/2022 Wang D16/202
D967,885 S * 10/2022 Huang
D967,888 S * 10/2022 Yan D16/203

* cited by examiner

Primary Examiner — Ramzi Almatrahi

(74) *Attorney, Agent, or Firm* — Jeenam Park

(57) **CLAIM**

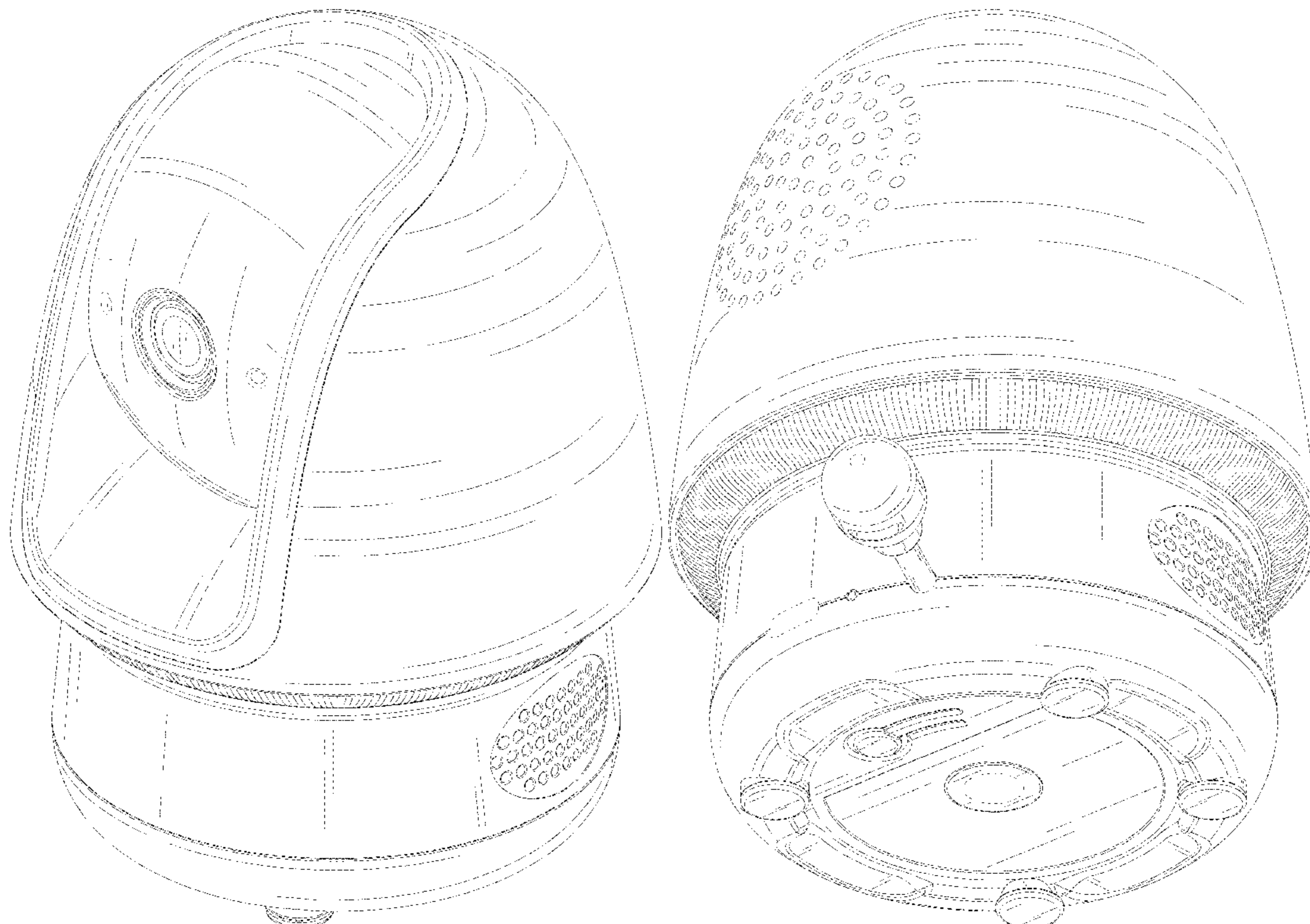
The ornamental design for a camera, as shown and described.

DESCRIPTION

FIG. 1 is a front, right and top perspective view of a camera, showing my new design;
FIG. 2 is a rear, left and bottom perspective view thereof;
FIG. 3 is a front view thereof;
FIG. 4 is a rear view thereof;
FIG. 5 is a left side view thereof;
FIG. 6 is a right side view thereof;
FIG. 7 is a top plan view thereof; and,
FIG. 8 is a bottom plan view thereof.

The broken lines shown in the drawings illustrate portions of the camera that form no part of the claimed design.

1 Claim, 8 Drawing Sheets



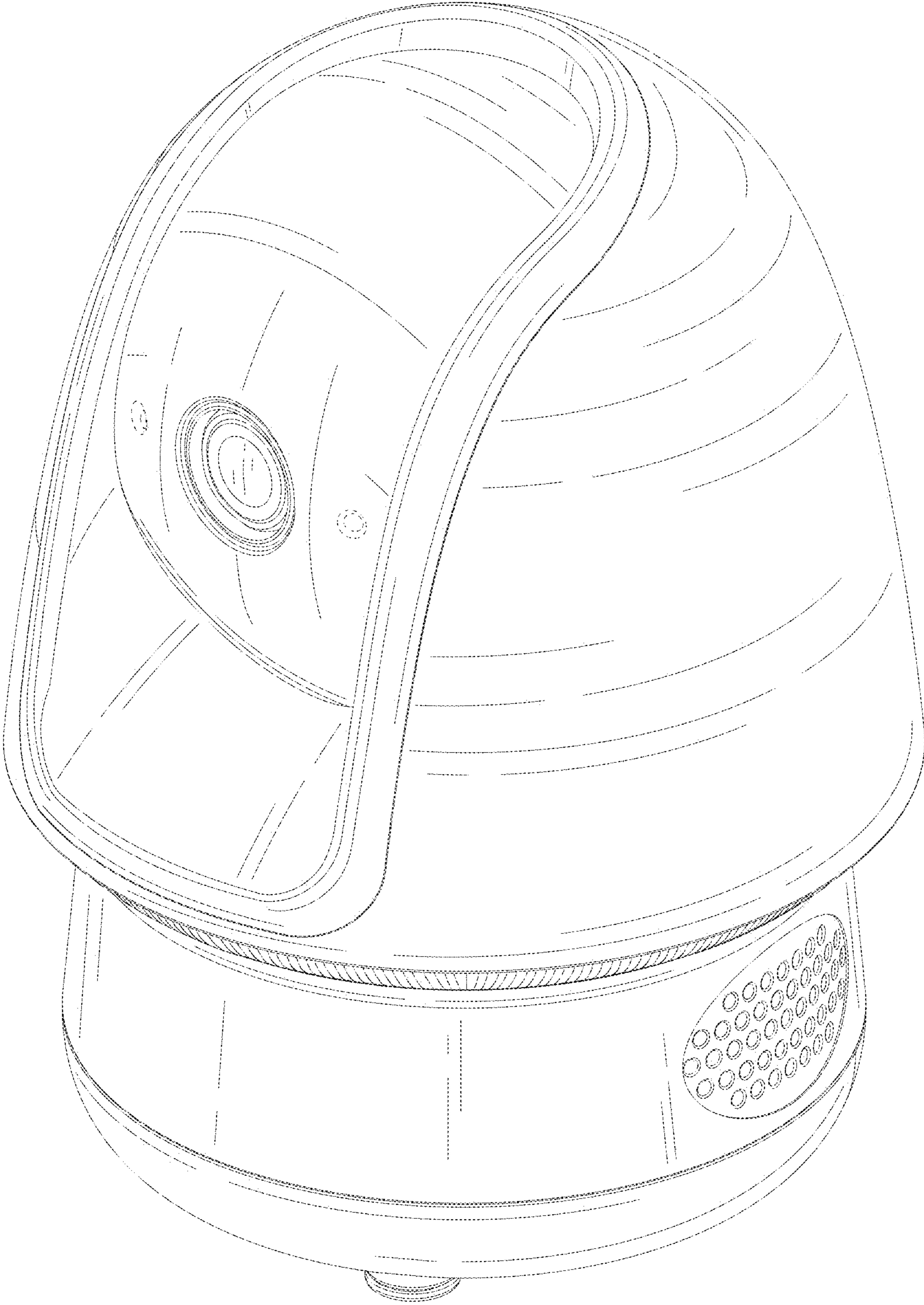


FIG. 1

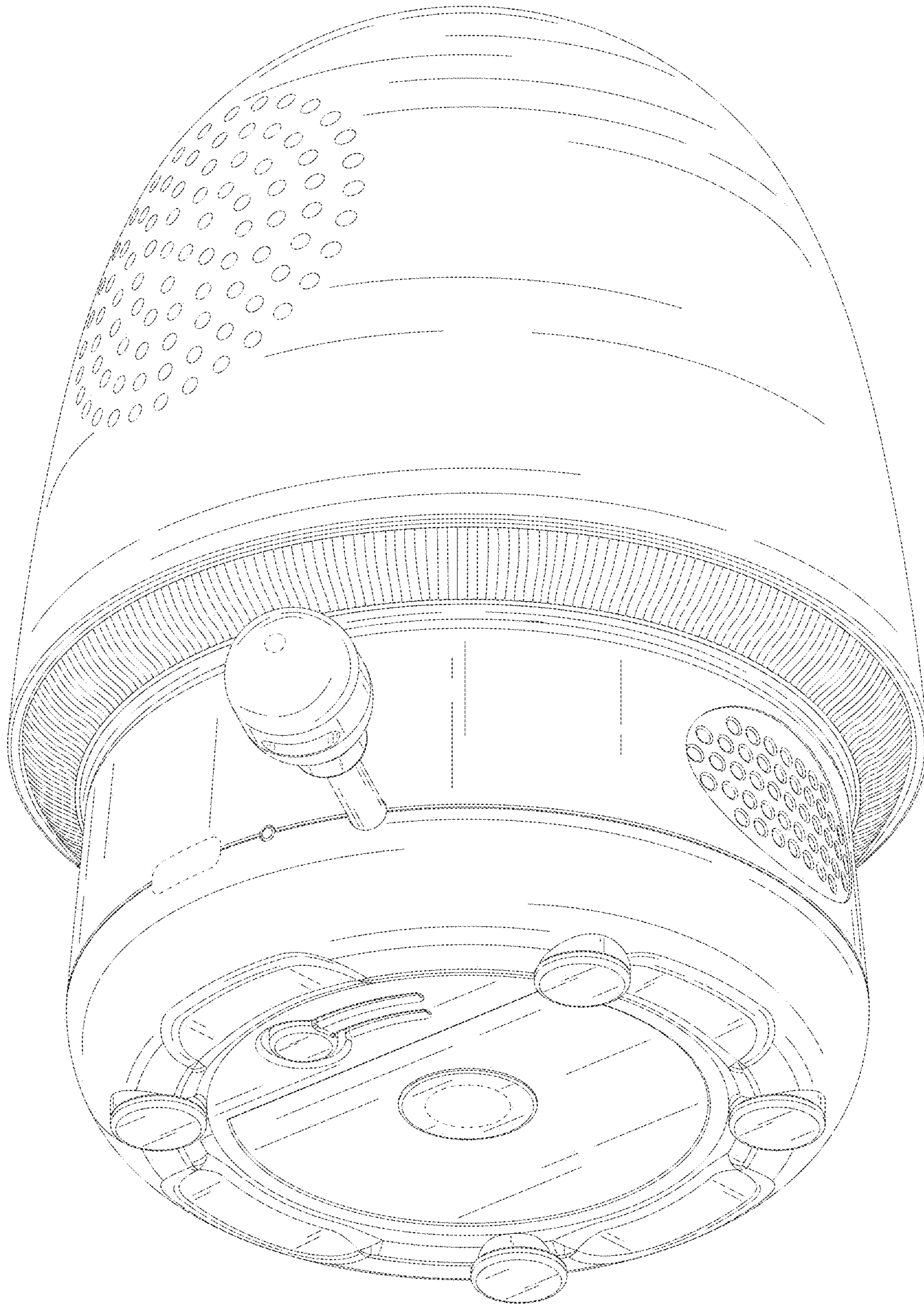


FIG. 2

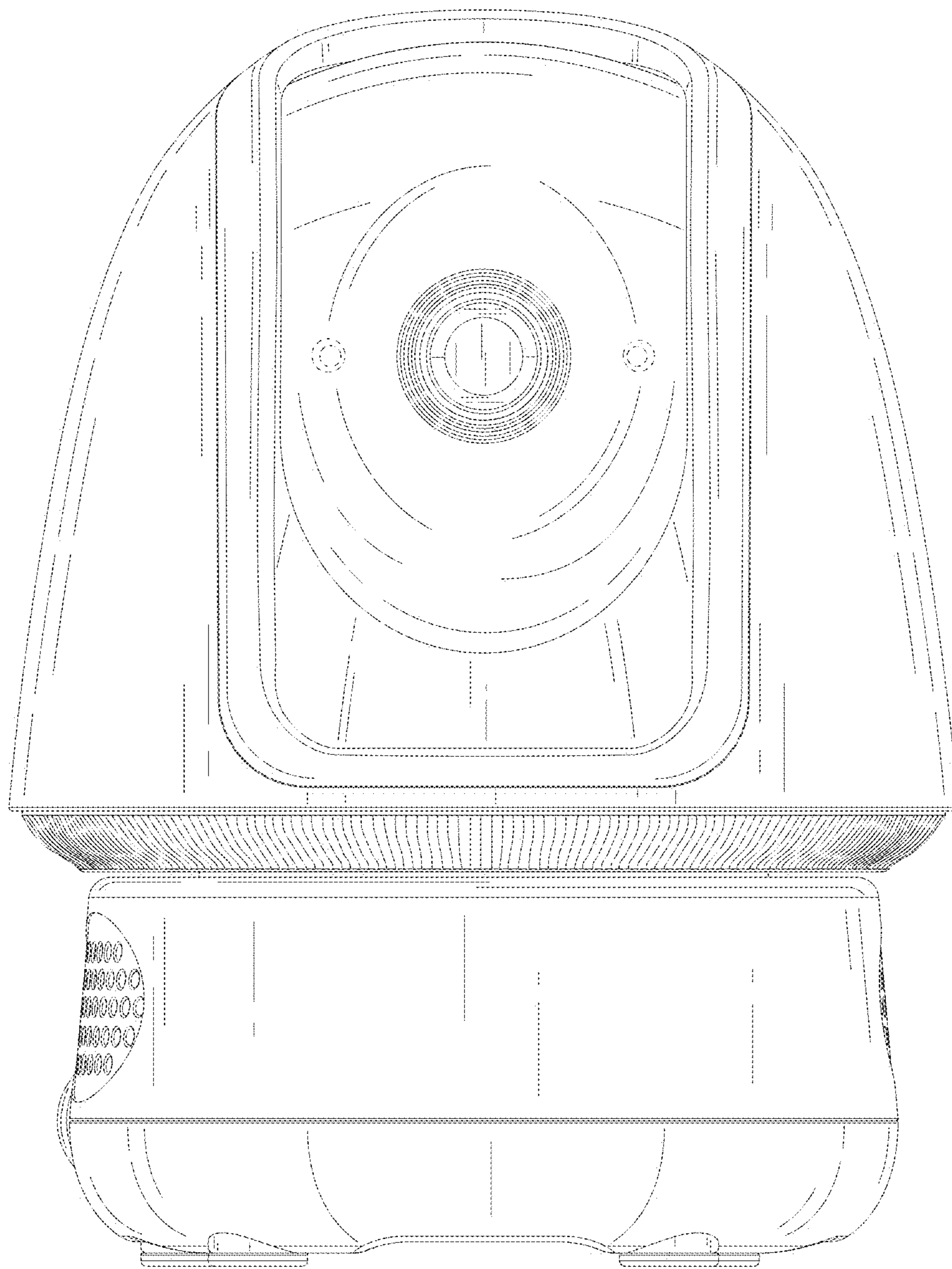


FIG. 3

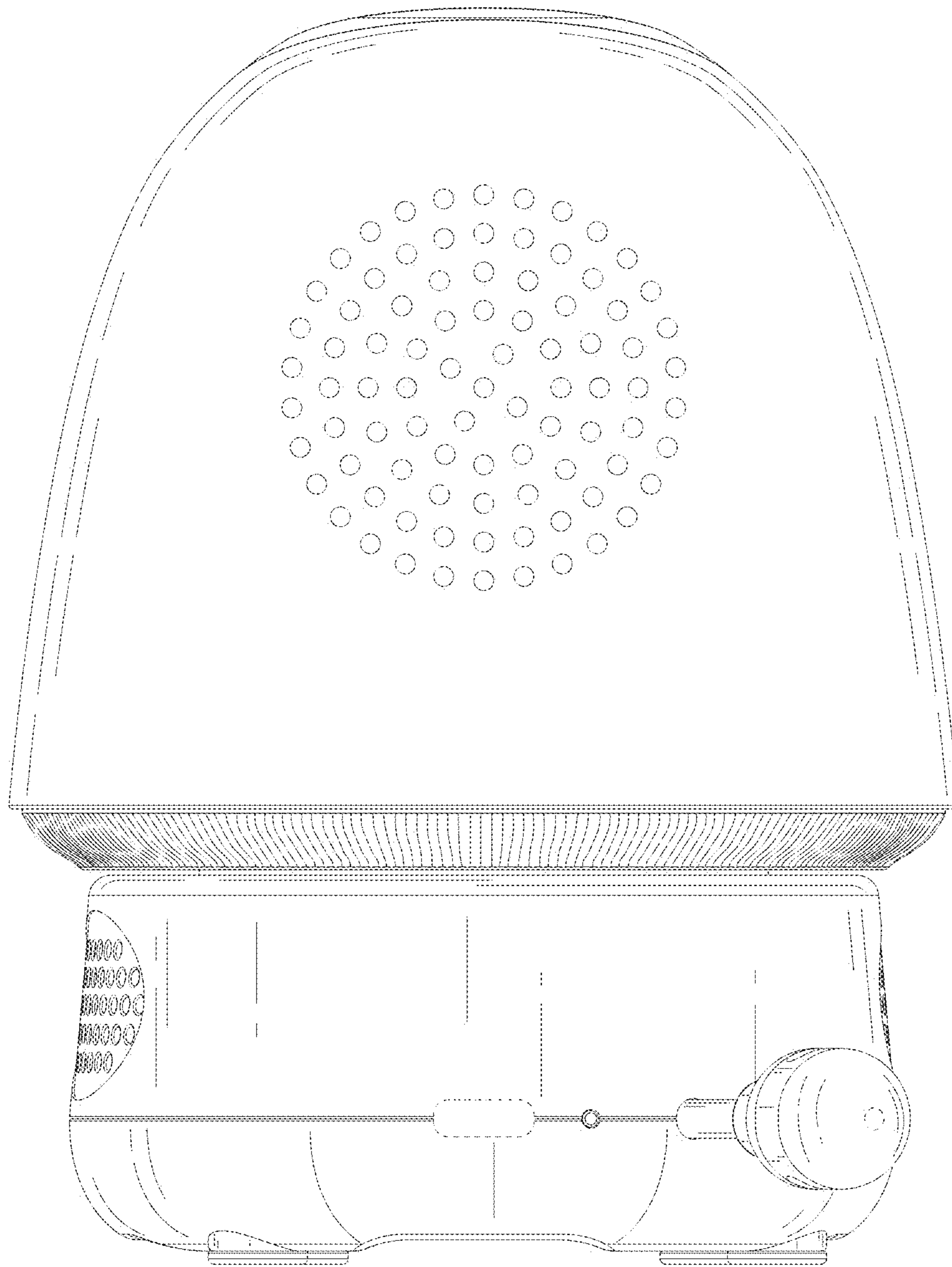


FIG. 4

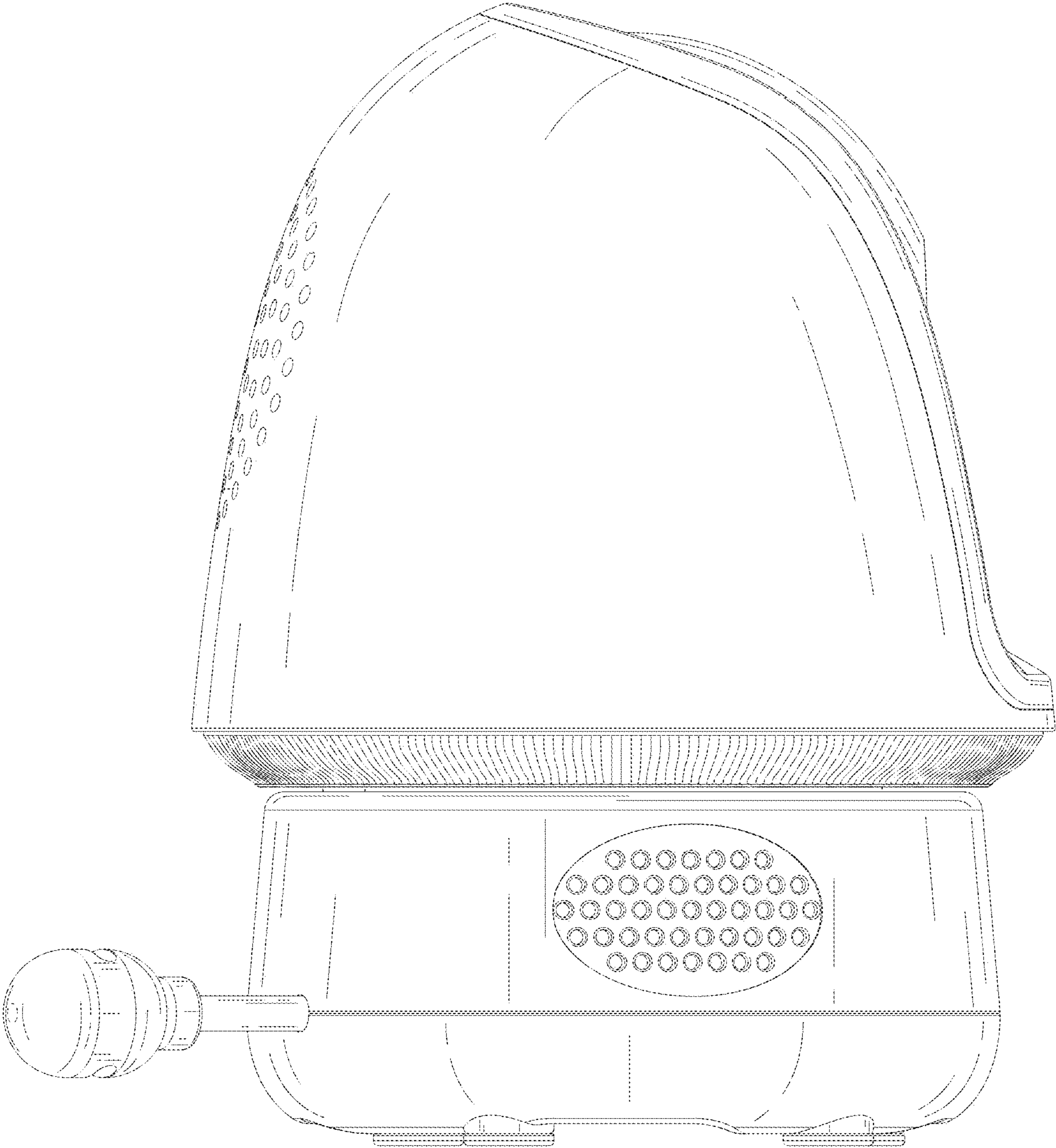


FIG. 5

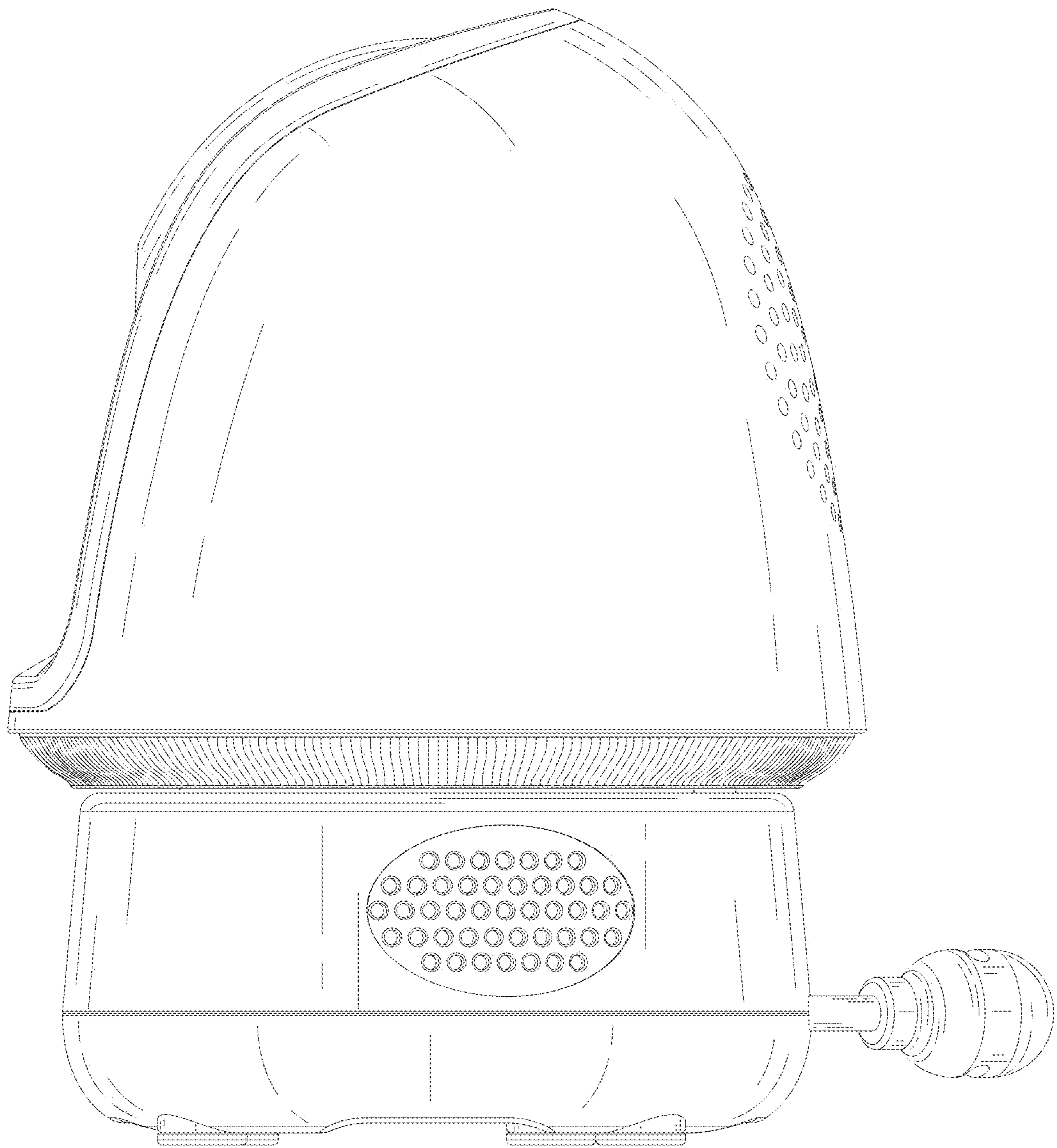


FIG. 6

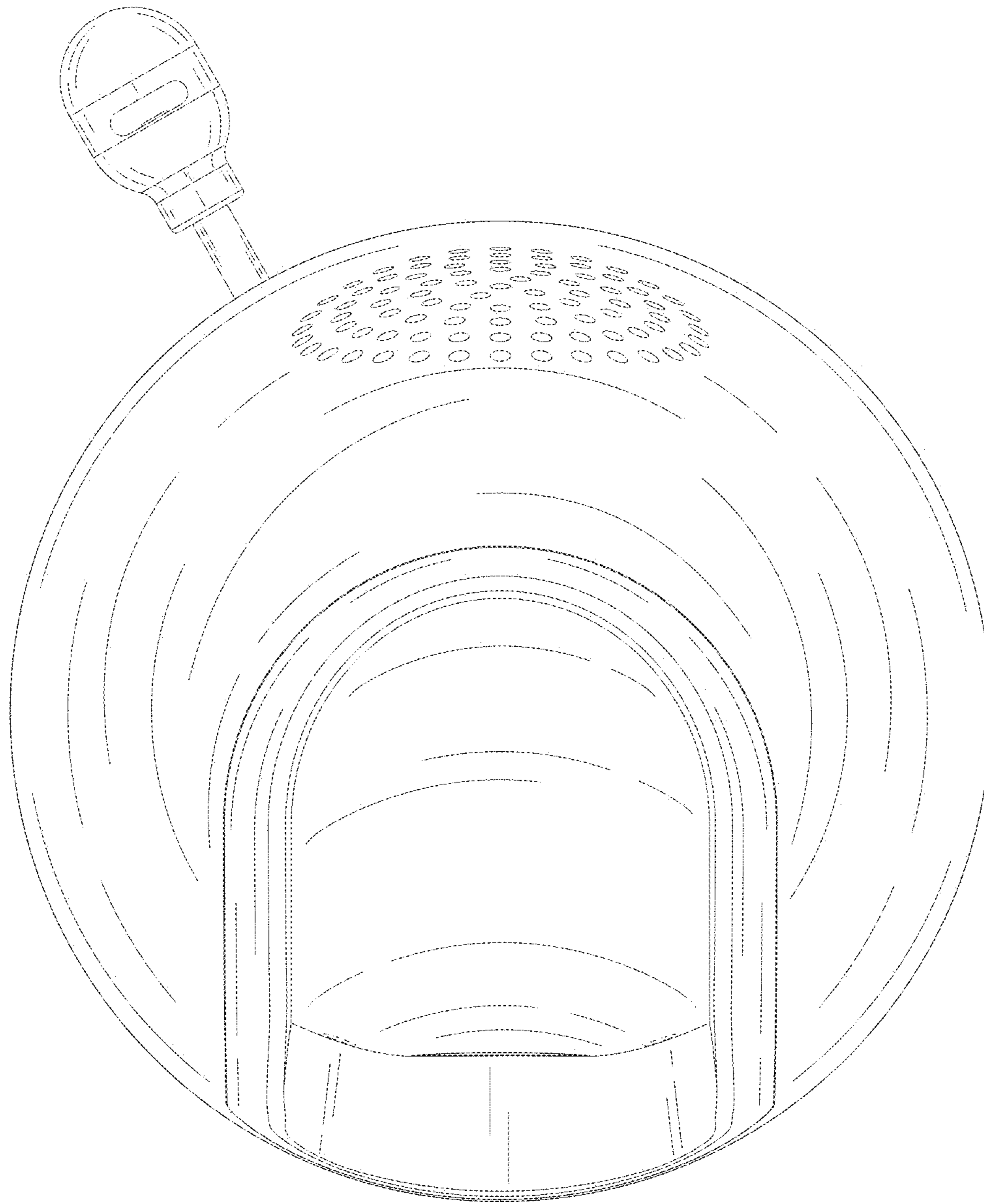


FIG. 7

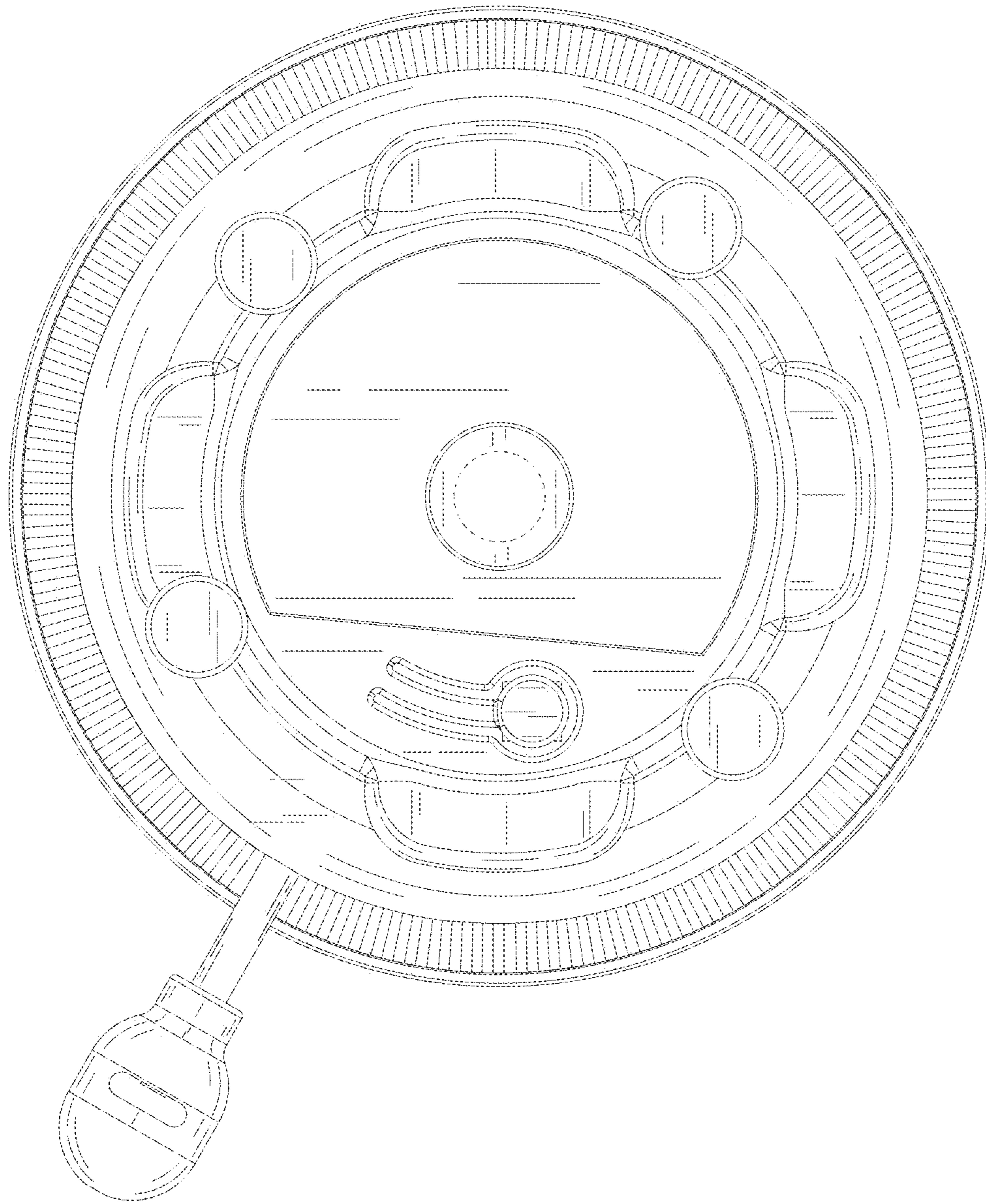


FIG. 8