



US00D974445S

(12) **United States Design Patent**
Zhao

(10) **Patent No.:** **US D974,445 S**

(45) **Date of Patent:** **** Jan. 3, 2023**

(54) **CHILDREN'S CAMERA**

(71) Applicant: **Jiawei Zhao**, Guangdong (CN)

(72) Inventor: **Jiawei Zhao**, Guangdong (CN)

(**) Term: **15 Years**

(21) Appl. No.: **29/799,192**

(22) Filed: **Jul. 13, 2021**

(51) **LOC (14) Cl.** **16-01**

(52) **U.S. Cl.**
USPC **D16/202**; D16/217; D21/514

(58) **Field of Classification Search**
USPC D16/200, 202-203, 208, 218, 219, 242;
D21/514; 348/14.01-14.6, 143, 148, 151,
348/373-376; 396/419, 427, 428, 535,
396/539-541
CPC G03B 17/02; G03B 19/04; G03B 17/56;
G03B 17/04; G03B 15/03; H04N
2101/00; H04N 2007/145; H04N 7/141;
H04N 7/142; H04N 7/147; H04N 7/148;
H04N 7/15; H04N 7/152
See application file for complete search history.

(56) **References Cited**

U.S. PATENT DOCUMENTS

D356,587 S	*	3/1995	Shuler	D16/218
D449,327 S	*	10/2001	Haga	D16/217
D522,557 S	*	6/2006	Chen	D16/202
D524,837 S	*	7/2006	Chen	D16/202
D581,440 S	*	11/2008	Nakamura	D16/217
D609,730 S	*	2/2010	Nakamura	D16/217

D795,325 S	*	8/2017	Germade	D16/202
D822,748 S	*	7/2018	Van Deusen	D16/208
D849,087 S	*	5/2019	Li	D16/202
D873,883 S	*	1/2020	Lin	D16/202
D910,105 S	*	2/2021	Lin	D16/202
D914,783 S	*	3/2021	Wu	D16/202
D952,021 S	*	5/2022	Tian	D16/202

* cited by examiner

Primary Examiner — Ramzi Almatrahi

(74) *Attorney, Agent, or Firm* — ScienBiziP, P.C.

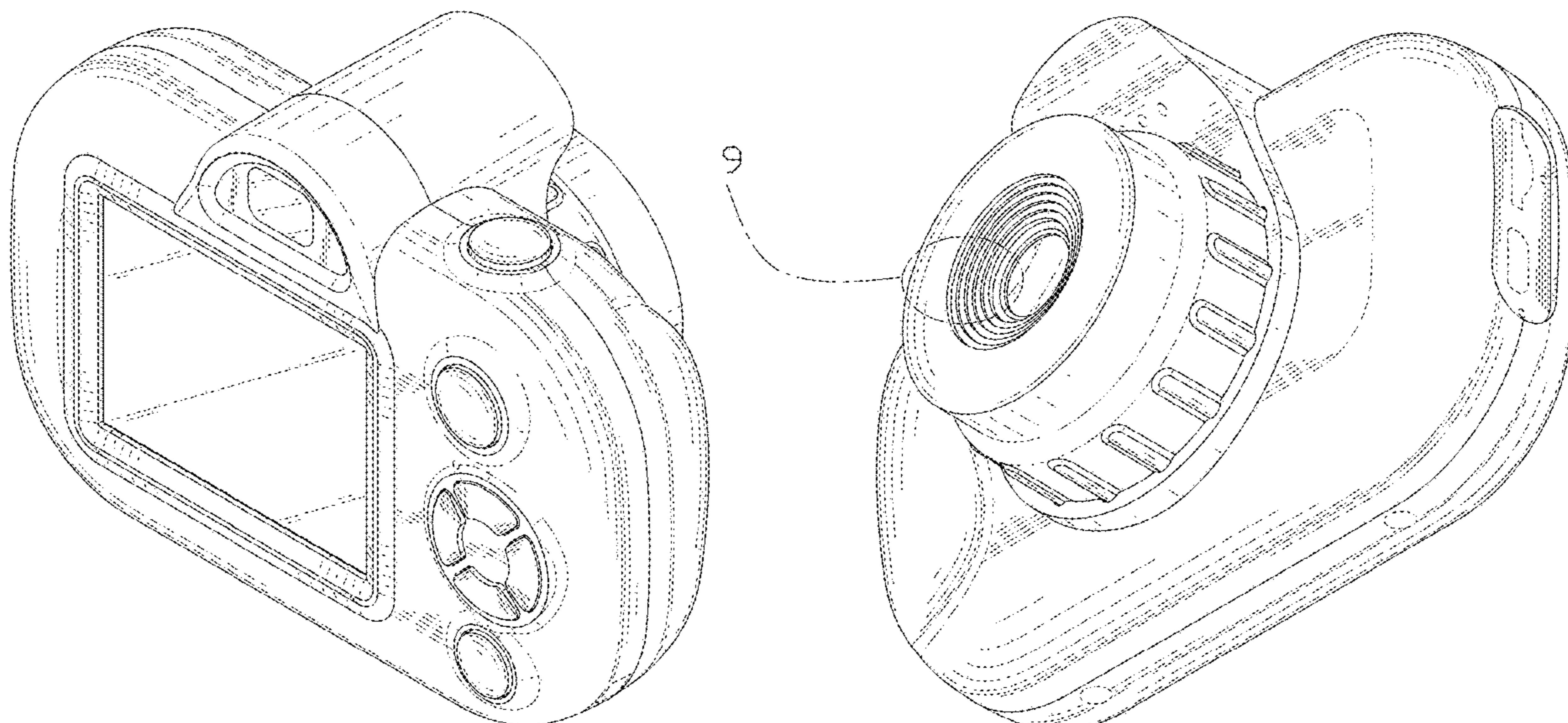
(57) **CLAIM**

The ornamental design for a children's camera, as shown and described.

DESCRIPTION

FIG. 1 is a top, front and right side perspective view of a children's camera showing my new design;
FIG. 2 is a bottom, rear and left side perspective view thereof;
FIG. 3 is a front elevation view thereof;
FIG. 4 is a rear elevation view thereof;
FIG. 5 is a left side elevation view thereof;
FIG. 6 is a right side elevation view thereof;
FIG. 7 is a top plan view thereof;
FIG. 8 is a bottom plan view thereof; and,
FIG. 9 is an enlarged view of portion 9 shown in FIG. 2.
The broken lines depict portions of the children's camera in which the design is embodied. that form no part of the claimed design. The dot-dash broken lines encircling an enlargement portion of the design forms no part of the claimed design.

1 Claim, 9 Drawing Sheets



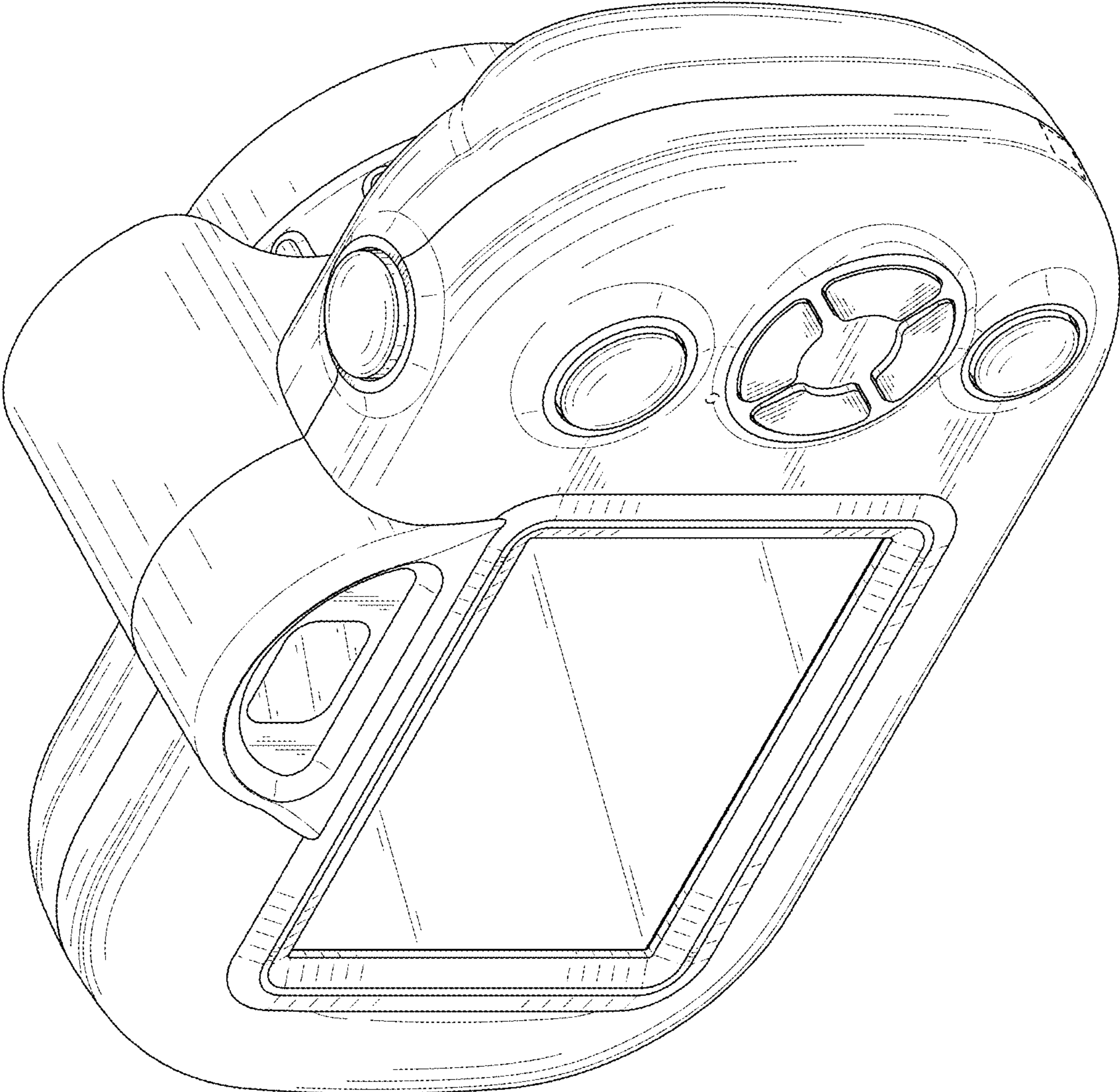


FIG. 1

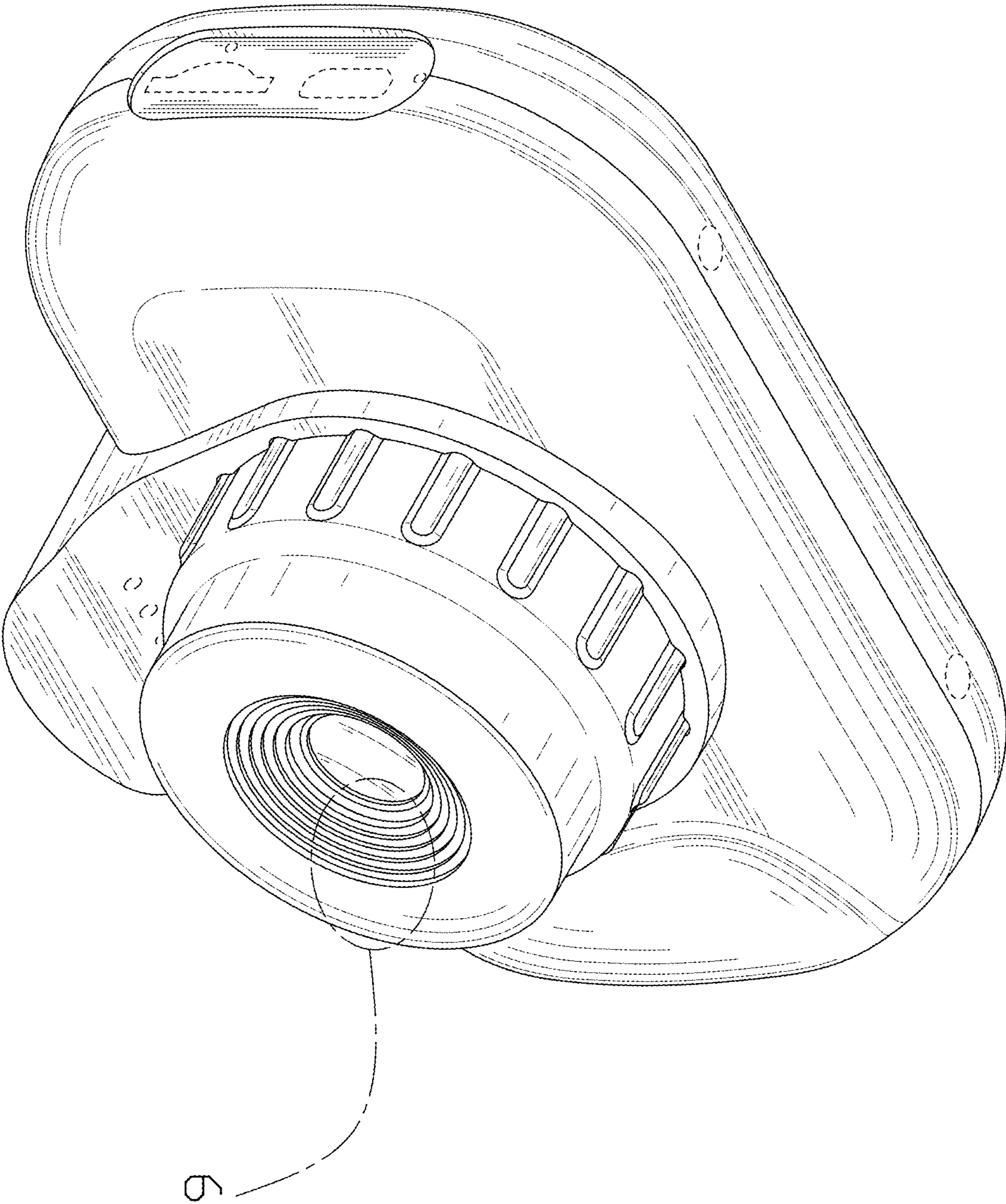


FIG. 2

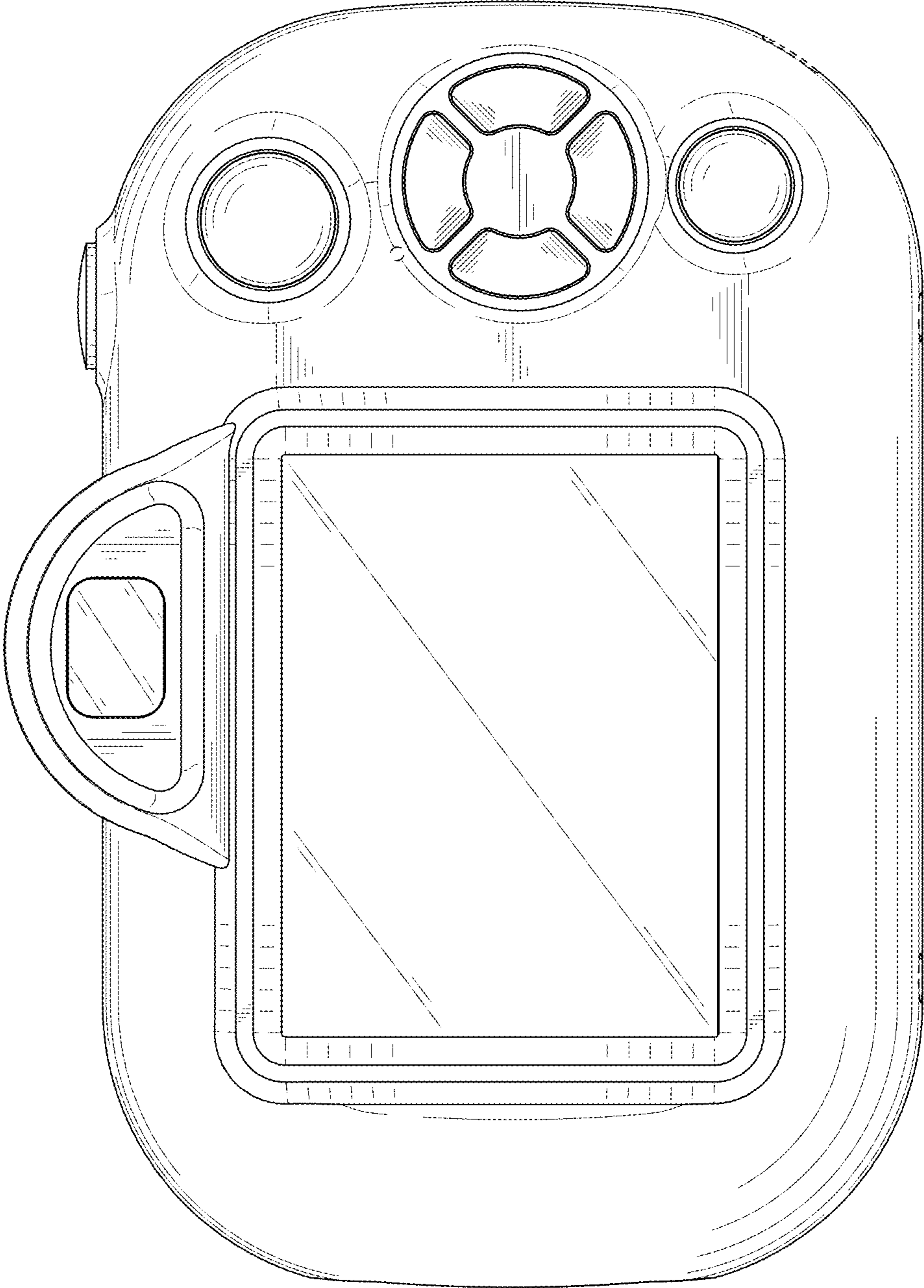


FIG. 3

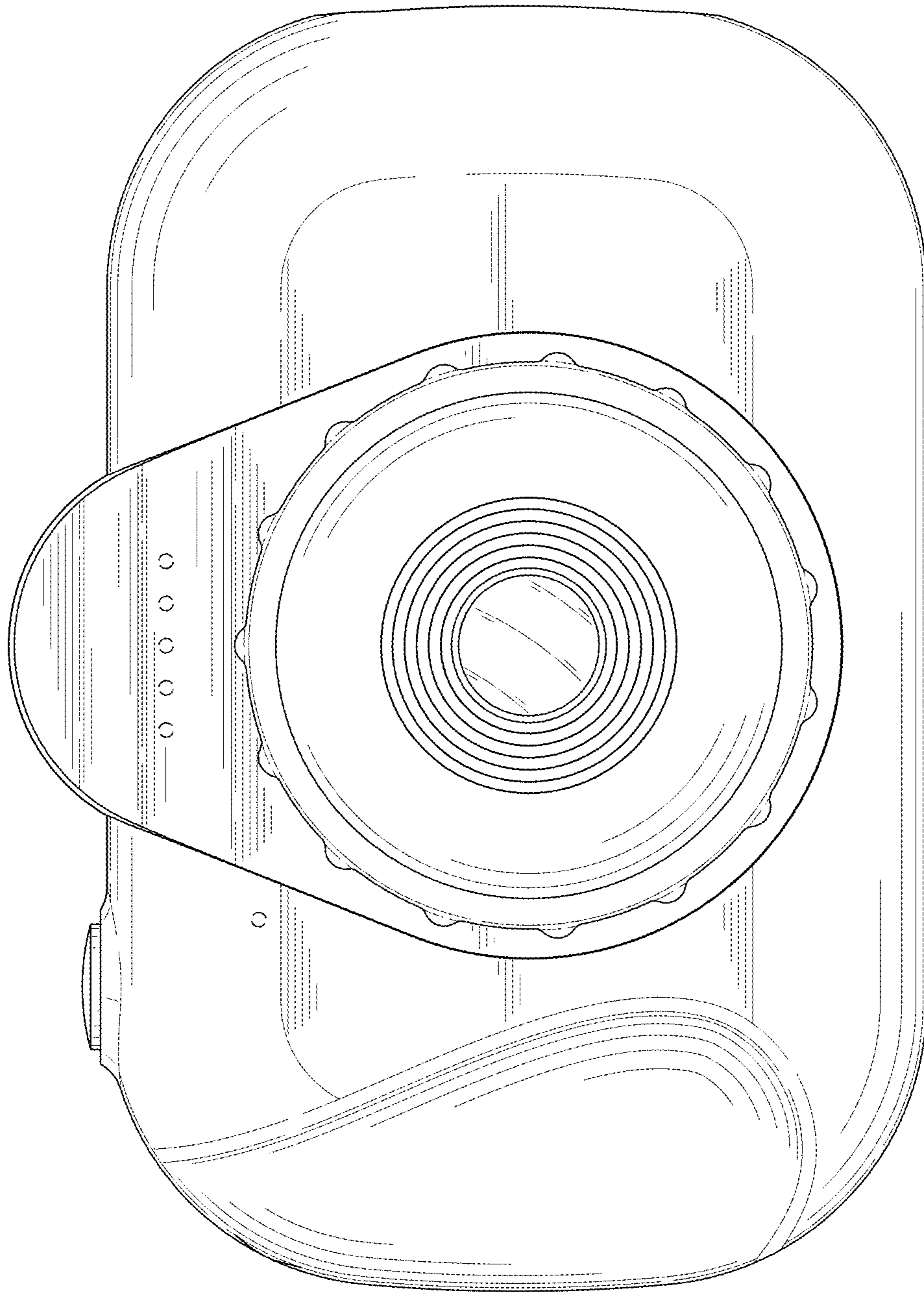


FIG. 4

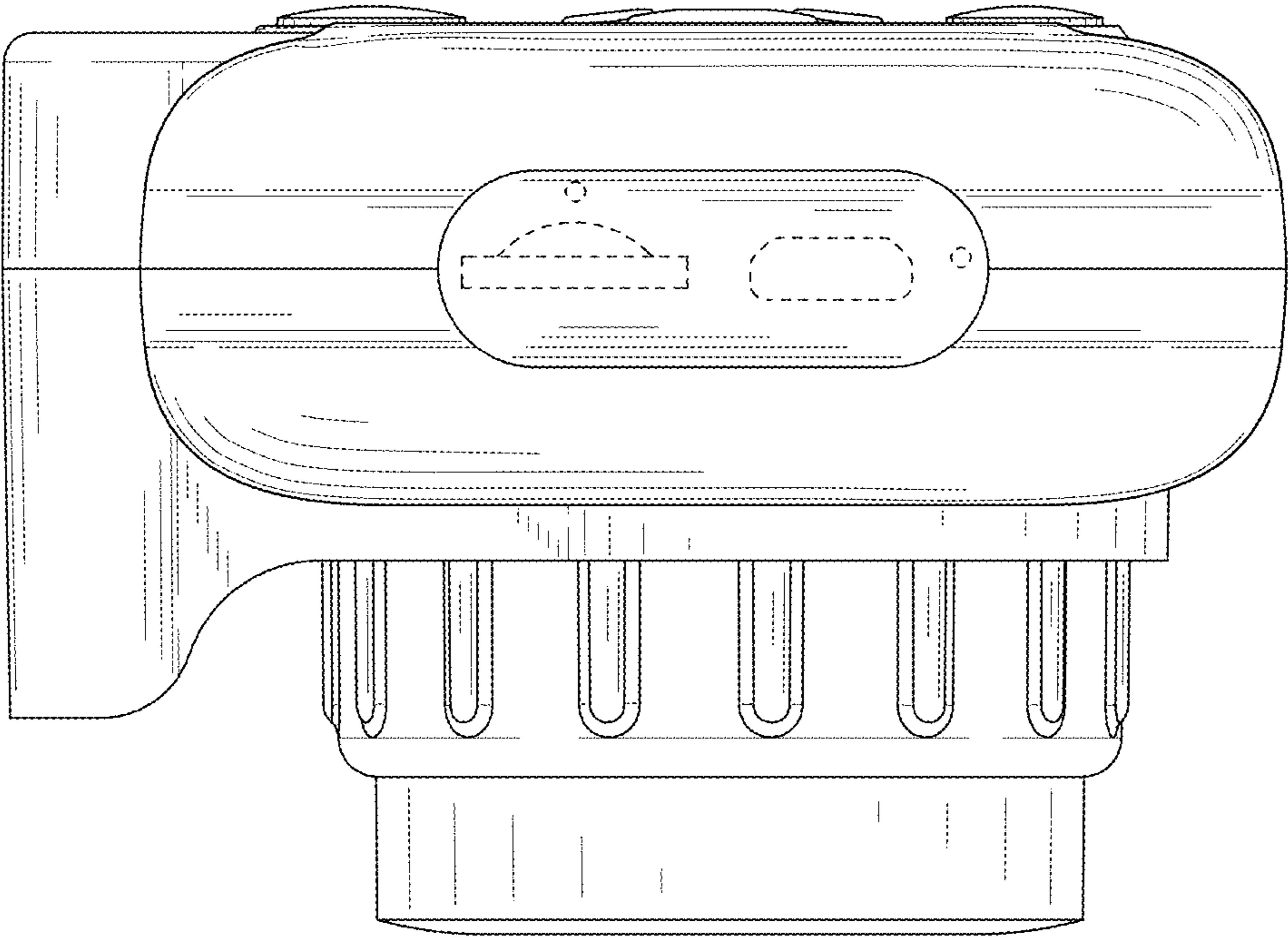


FIG. 5

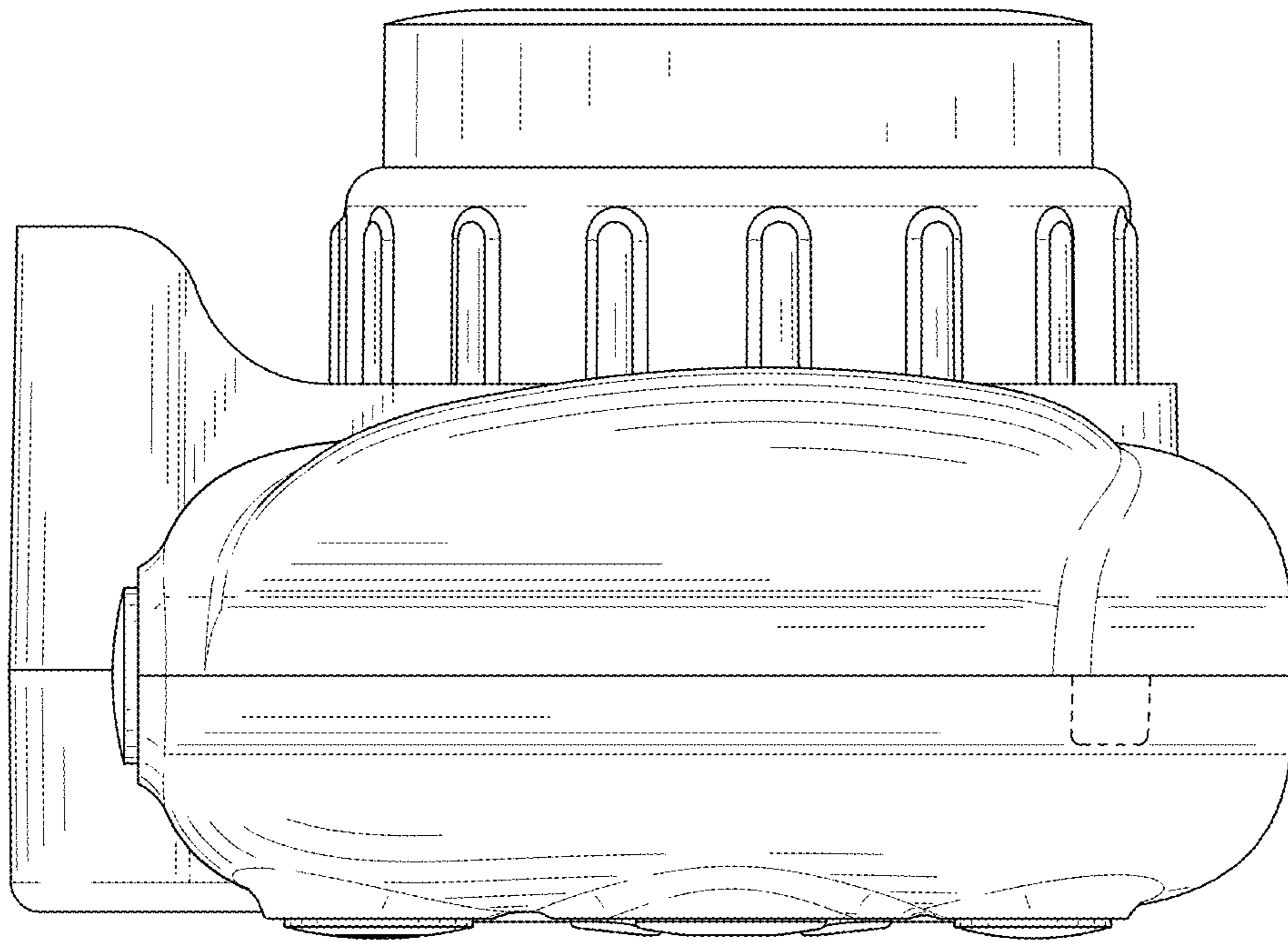


FIG. 6

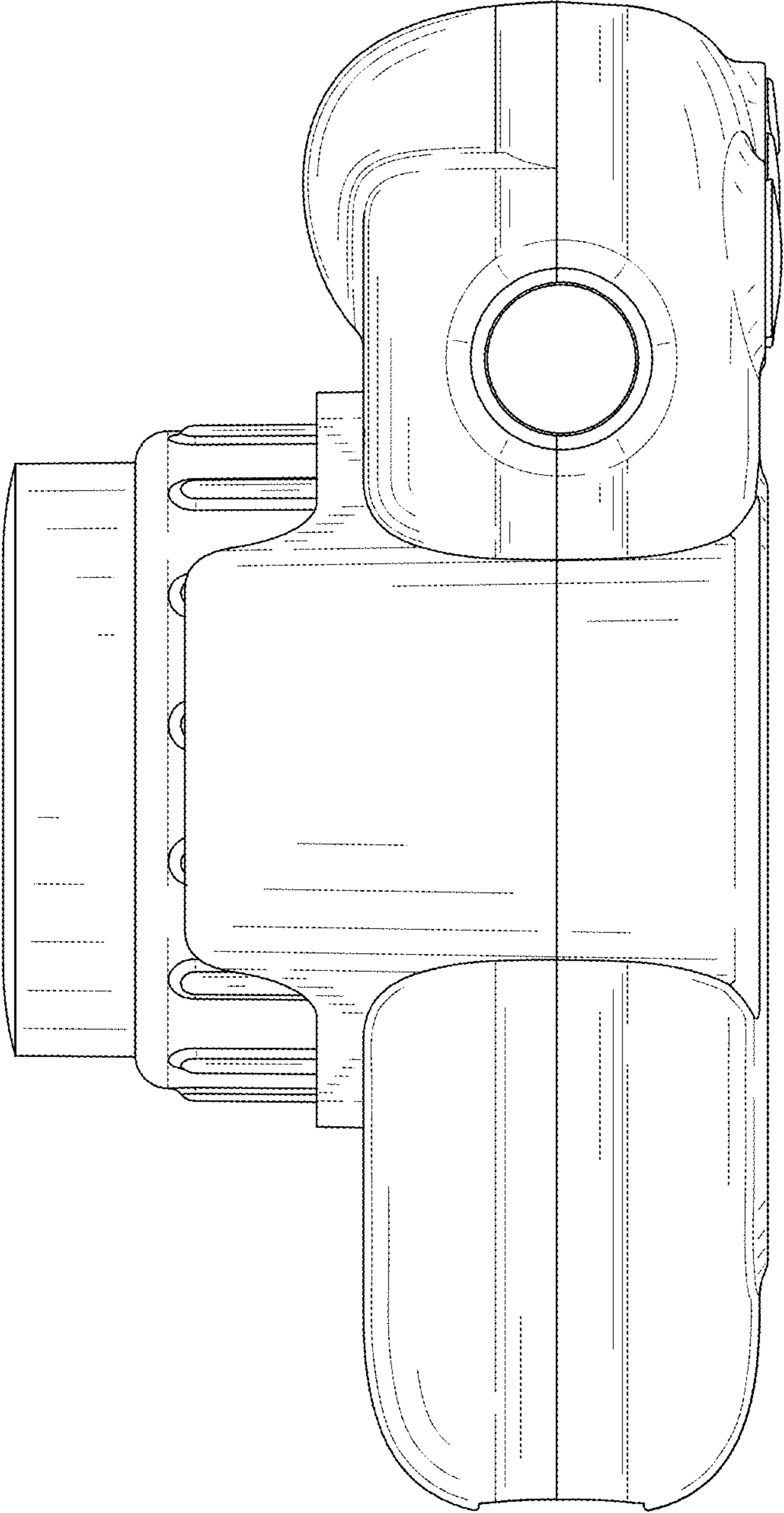


FIG. 7

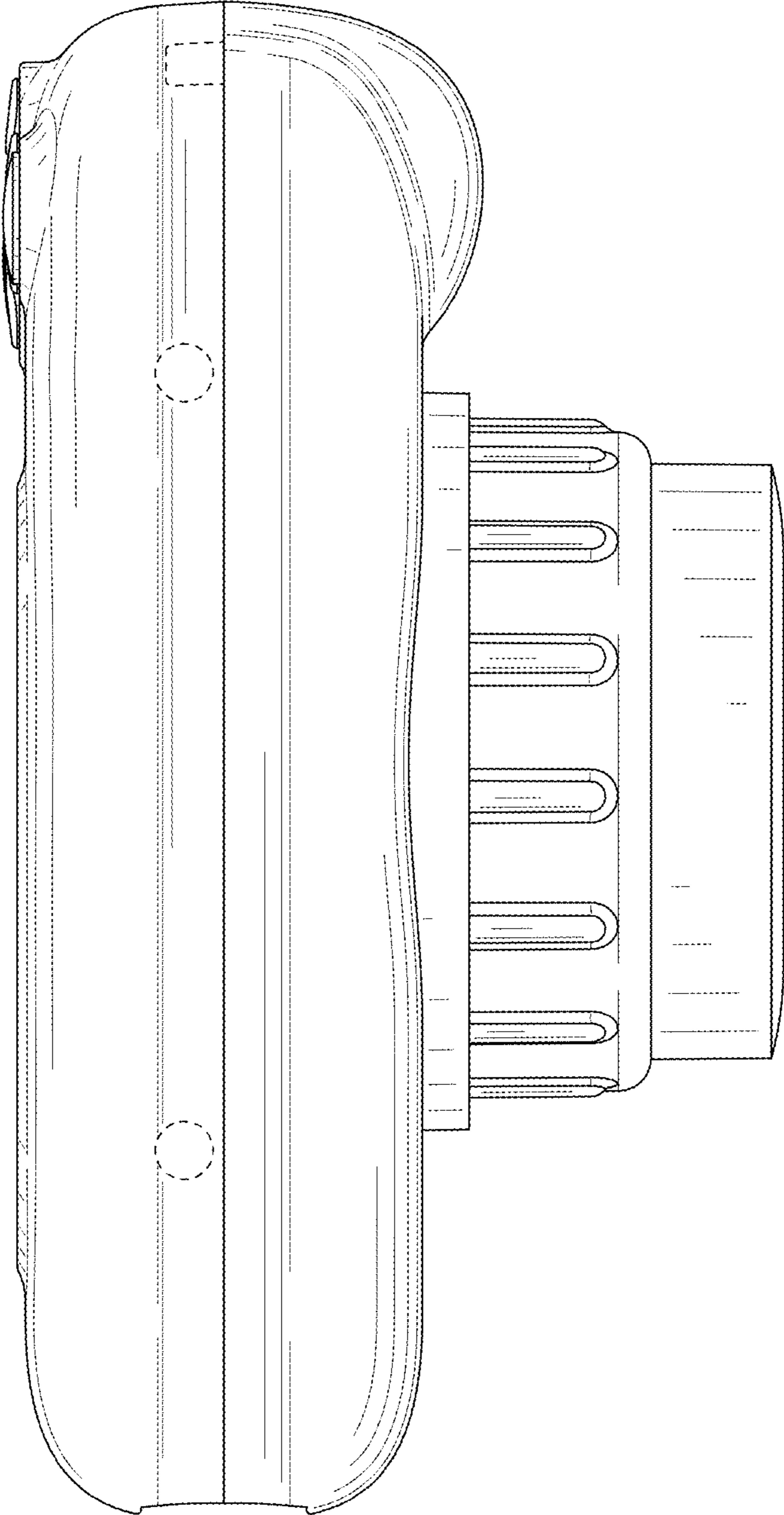


FIG. 8

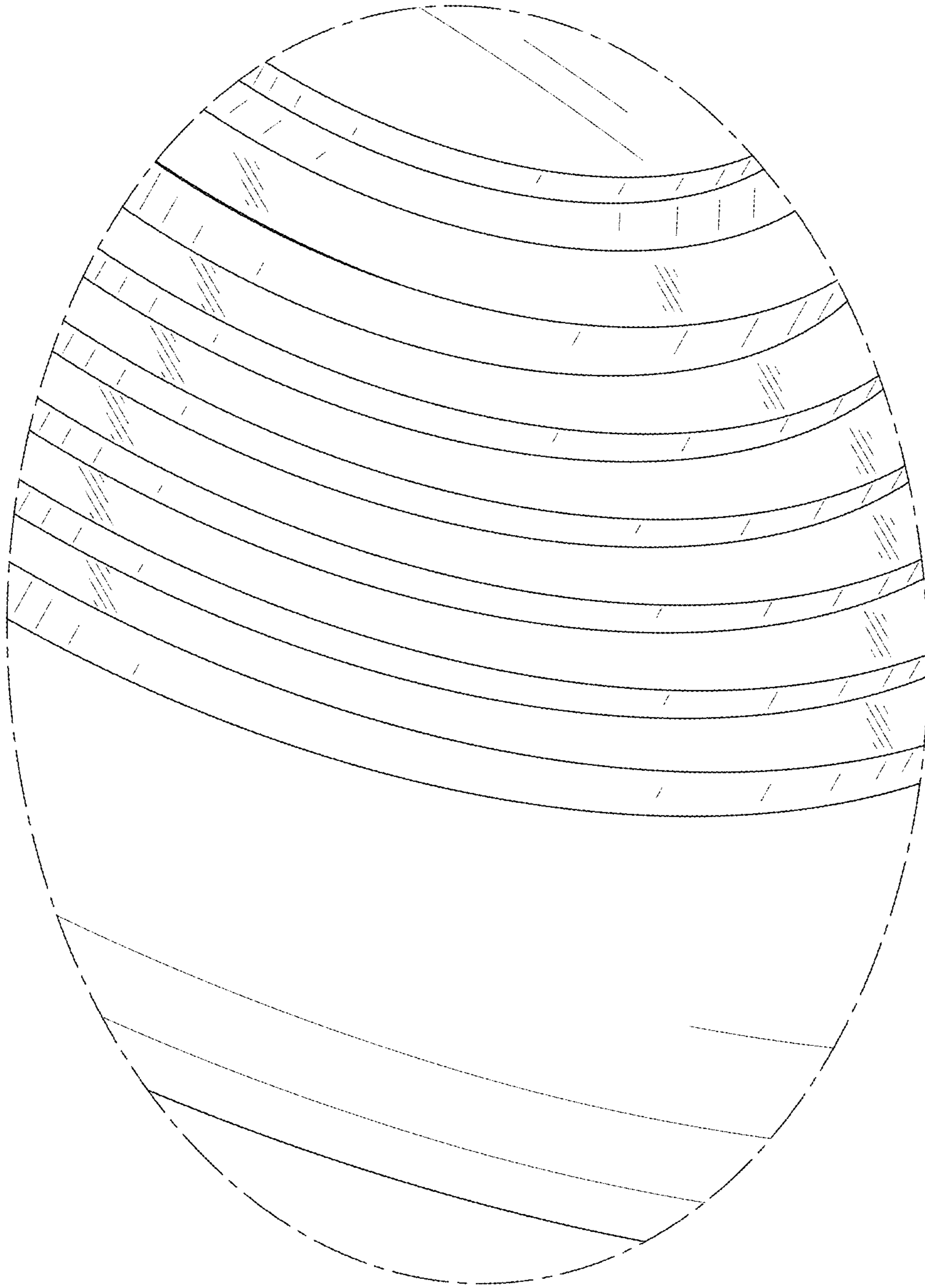


FIG. 9