



US00D974444S

(12) **United States Design Patent**
Zhao

(10) **Patent No.:** **US D974,444 S**

(45) **Date of Patent:** **** Jan. 3, 2023**

(54) **DIGITAL CAMERA**

(71) Applicant: **Jiawei Zhao**, Guangdong (CN)

(72) Inventor: **Jiawei Zhao**, Guangdong (CN)

(**) Term: **15 Years**

(21) Appl. No.: **29/799,054**

(22) Filed: **Jul. 12, 2021**

(51) **LOC (14) Cl.** **16-01**

(52) **U.S. Cl.**
USPC **D16/202**

(58) **Field of Classification Search**
USPC D16/200, 202–206, 208–209, 212, 218,
D16/219
CPC G03B 15/03; G03B 17/02; G03B 17/04;
G03B 17/56; G03B 19/04; H04N 5/2251;
H04N 5/2252; H04N 5/2253; H04N
5/2254; H04N 2101/00

See application file for complete search history.

(56) **References Cited**

U.S. PATENT DOCUMENTS

D597,116 S	*	7/2009	Watanabe	D16/202
D634,766 S	*	3/2011	Ham	D16/202
D663,341 S	*	7/2012	Kwon	D16/202
D665,002 S	*	8/2012	Kwon	D16/202
D669,110 S	*	10/2012	Noh	D16/202
D669,515 S	*	10/2012	Jang	D16/202

D669,929 S	*	10/2012	Jang	D16/202
D671,581 S	*	11/2012	Ham	D16/202
D696,327 S	*	12/2013	Jang	D16/202
D700,230 S	*	2/2014	Sul	D16/202
D712,950 S	*	9/2014	Kwon	D16/202
D723,083 S	*	2/2015	Jang	D16/202
D907,093 S	*	1/2021	Hung	D16/202

* cited by examiner

Primary Examiner — Ramzi Almatrahi
(74) *Attorney, Agent, or Firm* — ScienBiziP, P.C.

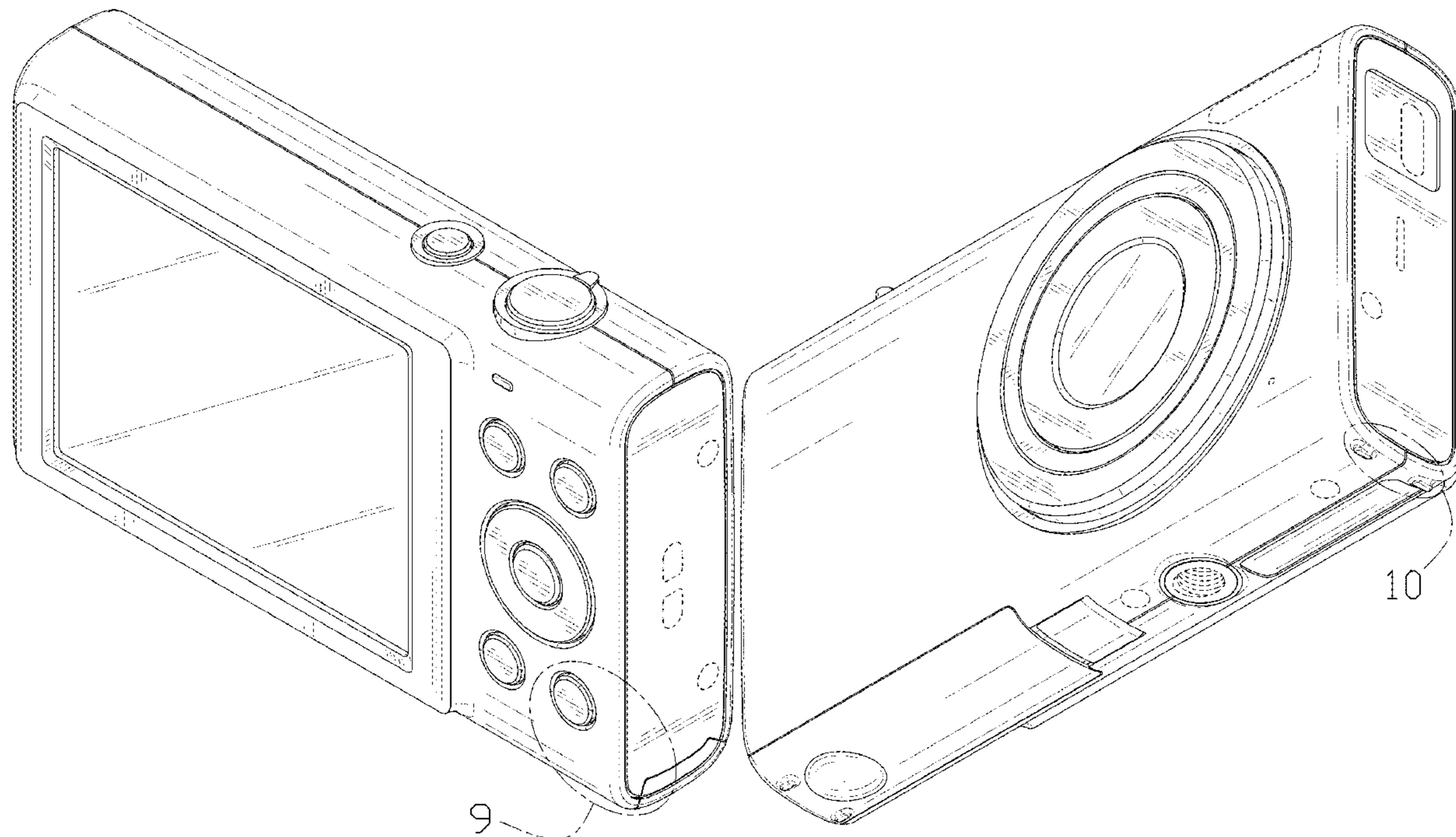
(57) **CLAIM**

The ornamental design for a digital camera, as shown and described.

DESCRIPTION

FIG. 1 is a top, front and right side perspective view of a digital camera showing my new design;
FIG. 2 is a bottom, rear and left side perspective view thereof;
FIG. 3 is a front elevation view thereof;
FIG. 4 is a rear elevation view thereof;
FIG. 5 is a left side elevation view thereof;
FIG. 6 is a right side elevation view thereof;
FIG. 7 is a top plan view thereof;
FIG. 8 is a bottom plan view thereof;
FIG. 9 is an enlarged view of portion 9 shown in FIG. 1; and,
FIG. 10 is an enlarged view of portion 10 shown in FIG. 2.
The broken lines shown in the drawings are included for the purpose of illustrating portions of the digital camera that form no part of the claimed design.

1 Claim, 10 Drawing Sheets



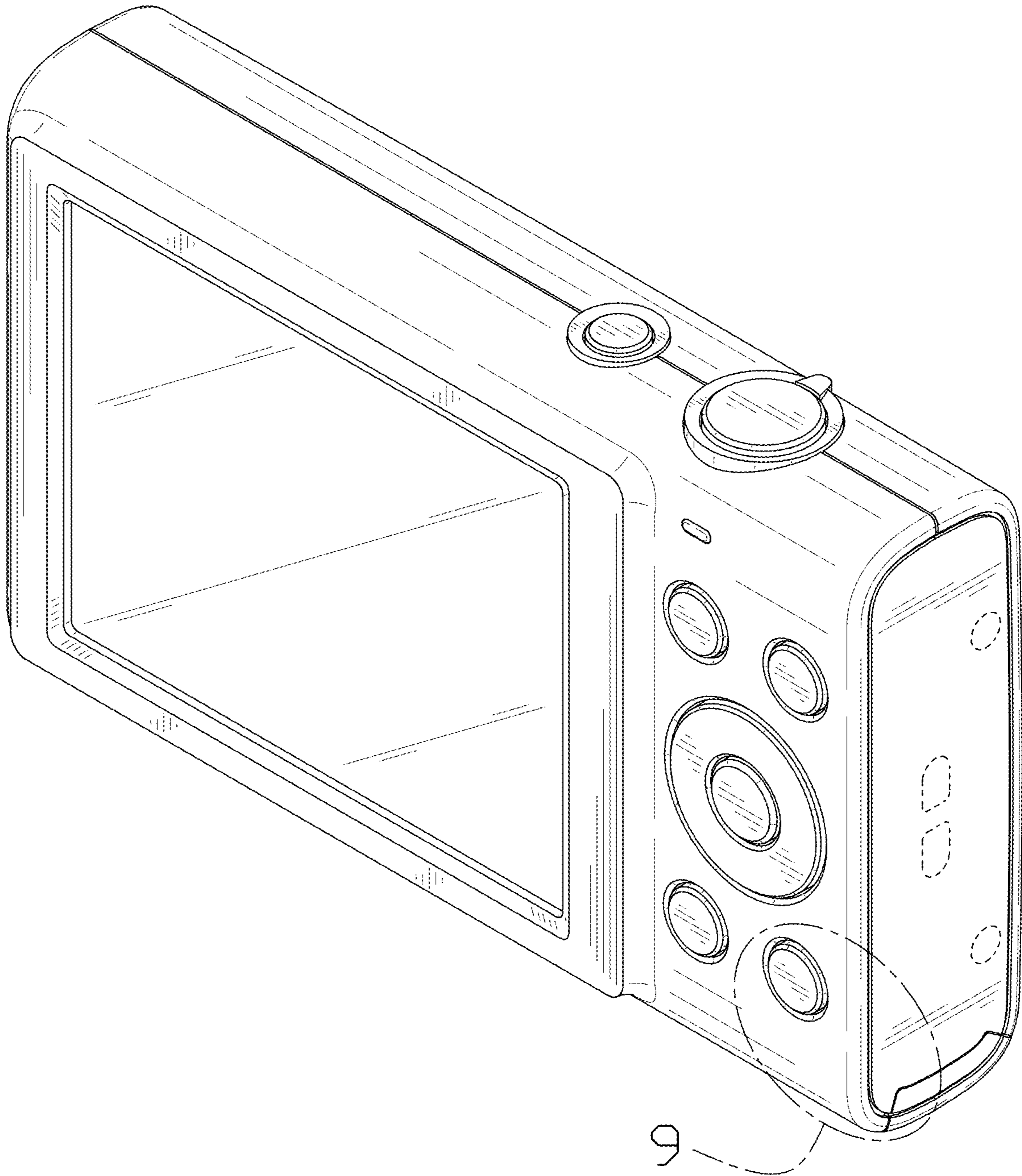


FIG. 1

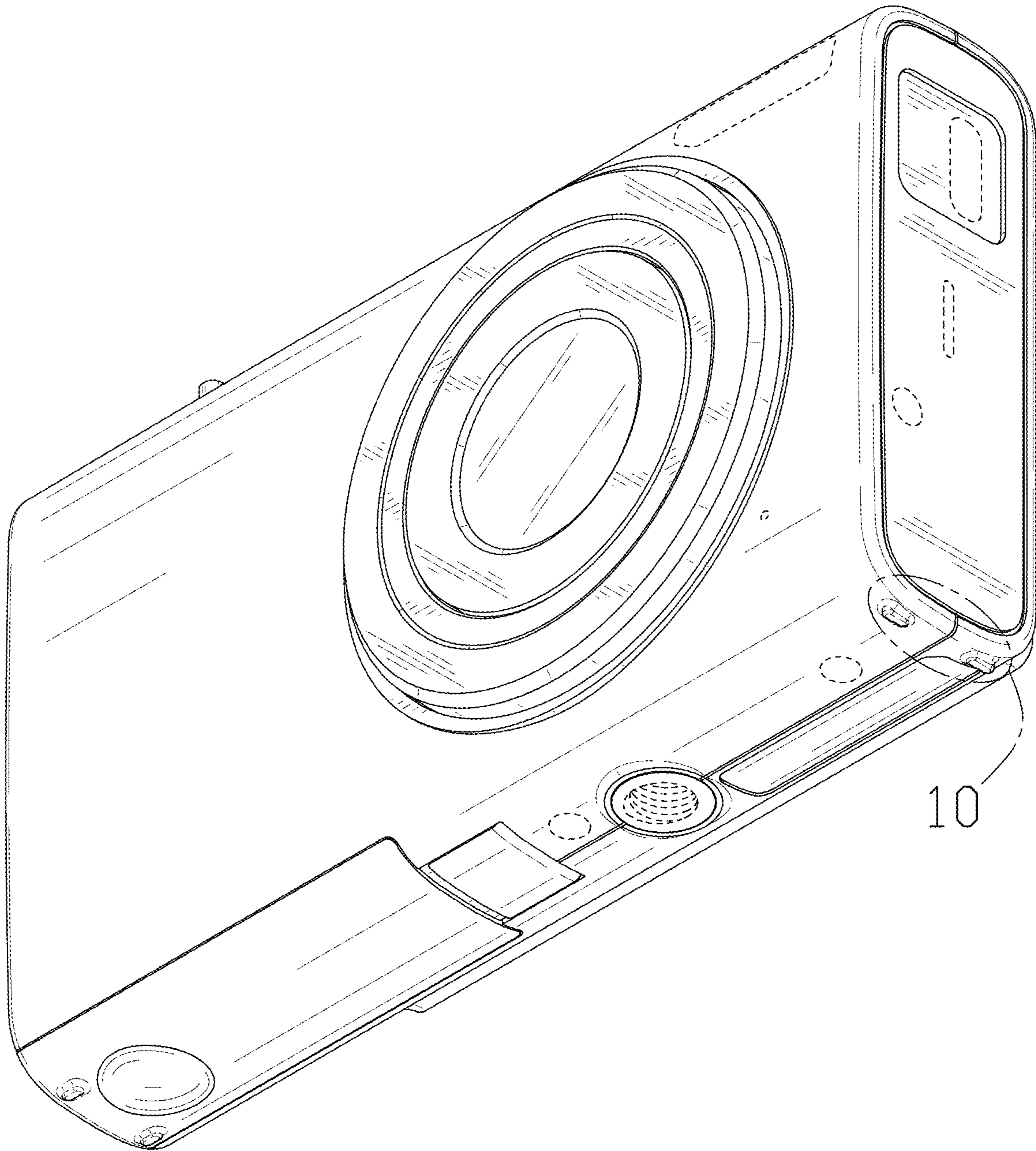


FIG. 2

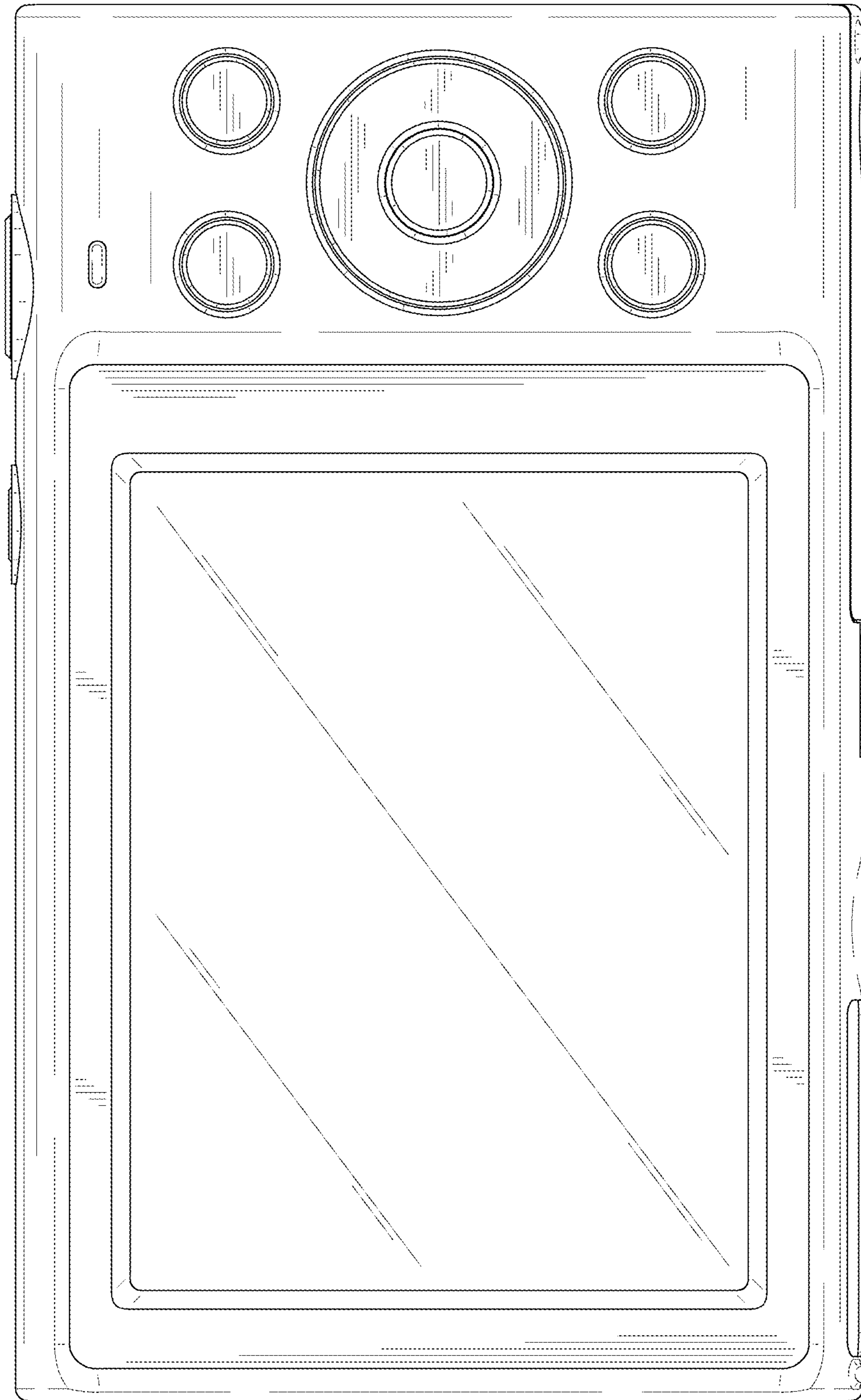


FIG. 3

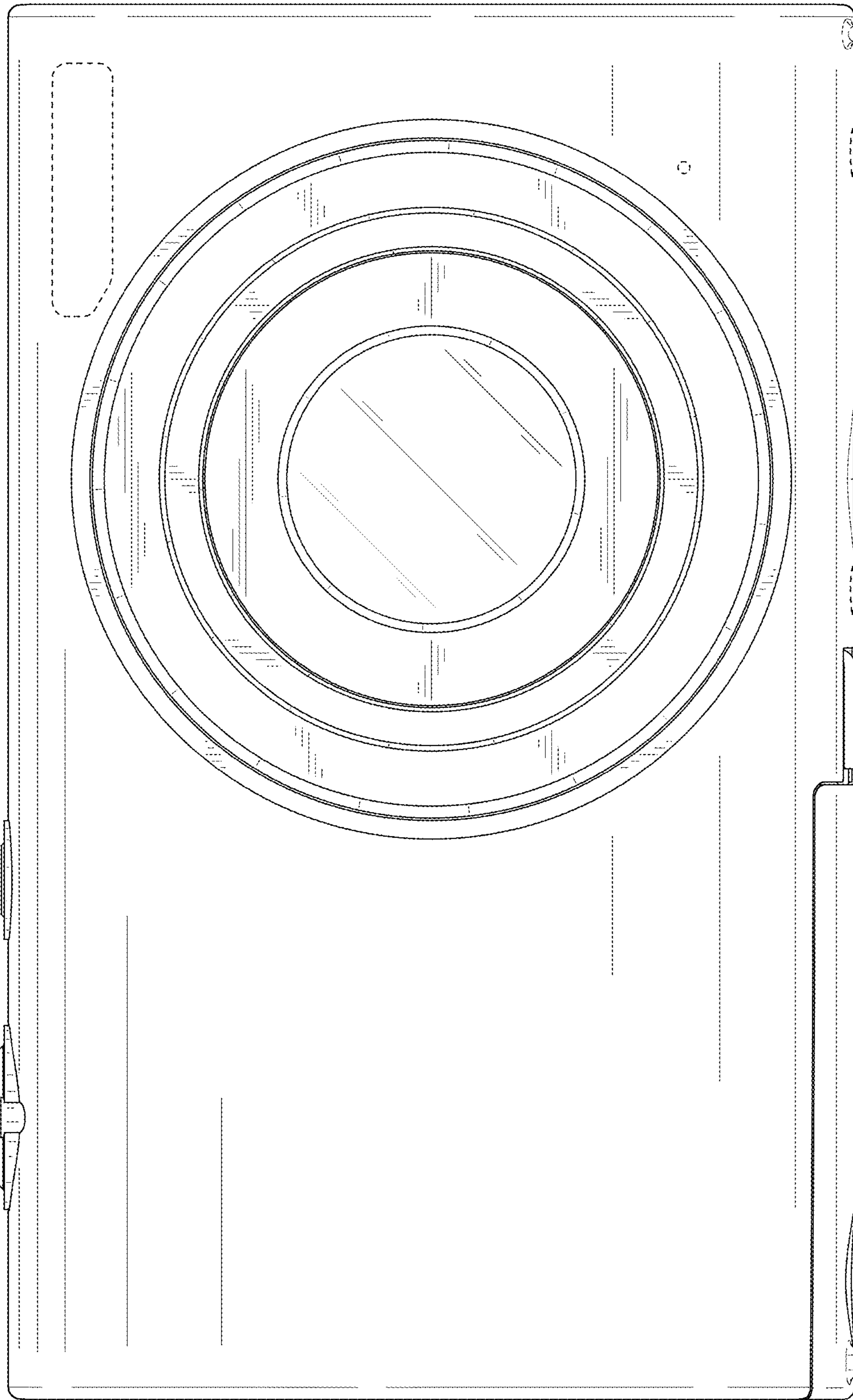


FIG. 4

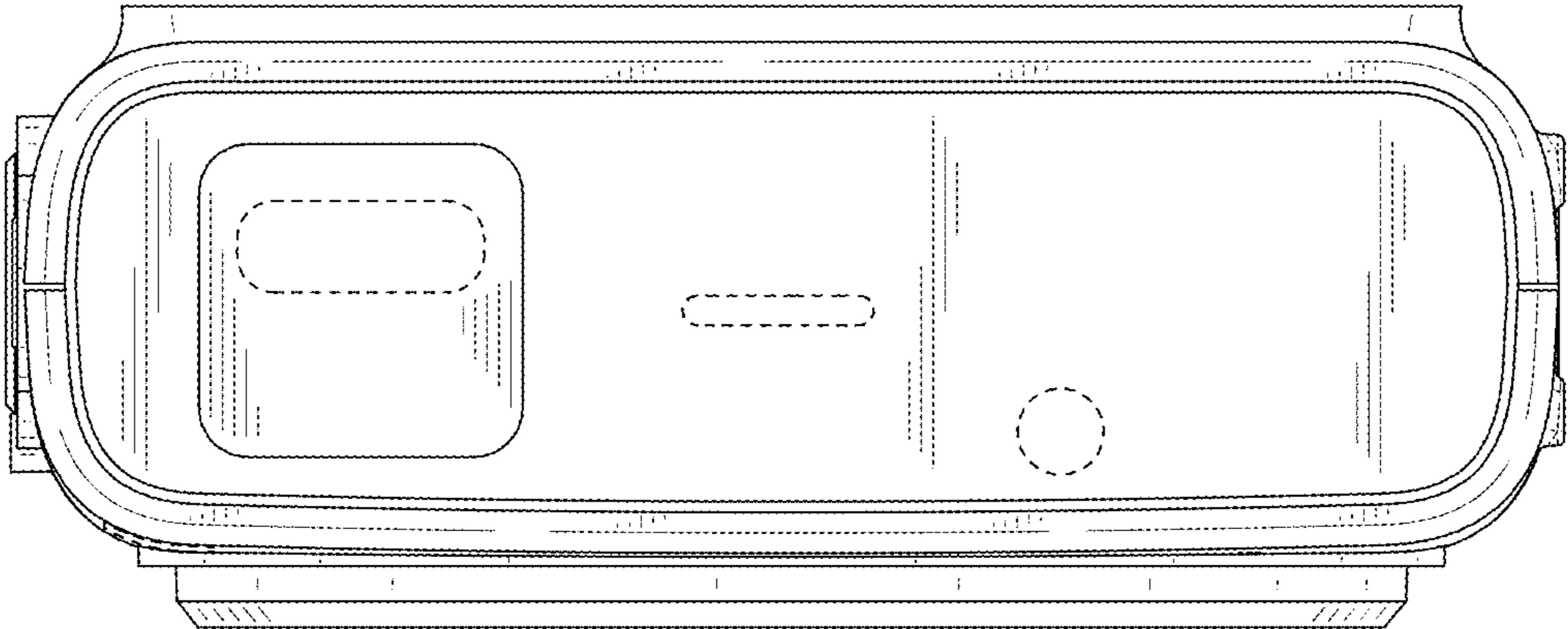


FIG. 5

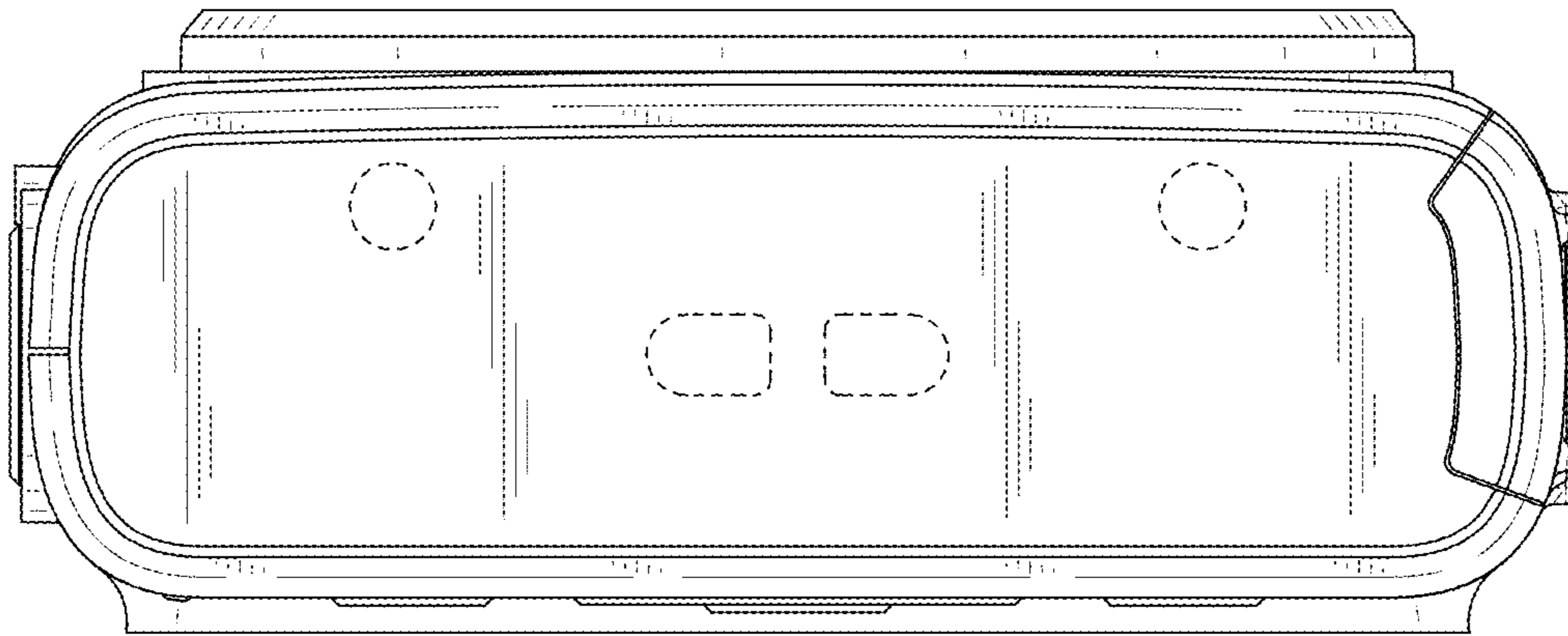


FIG. 6

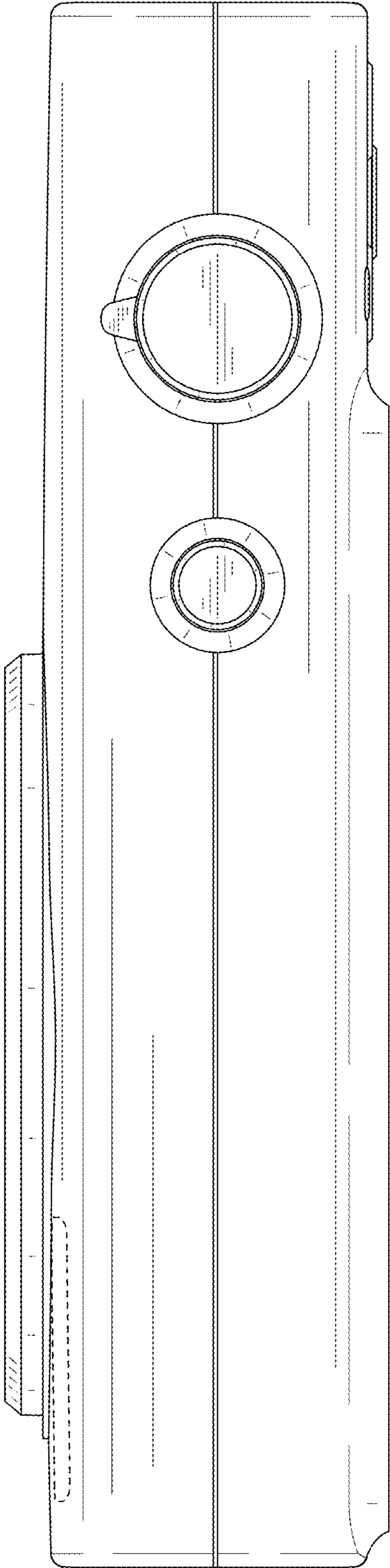


FIG. 7

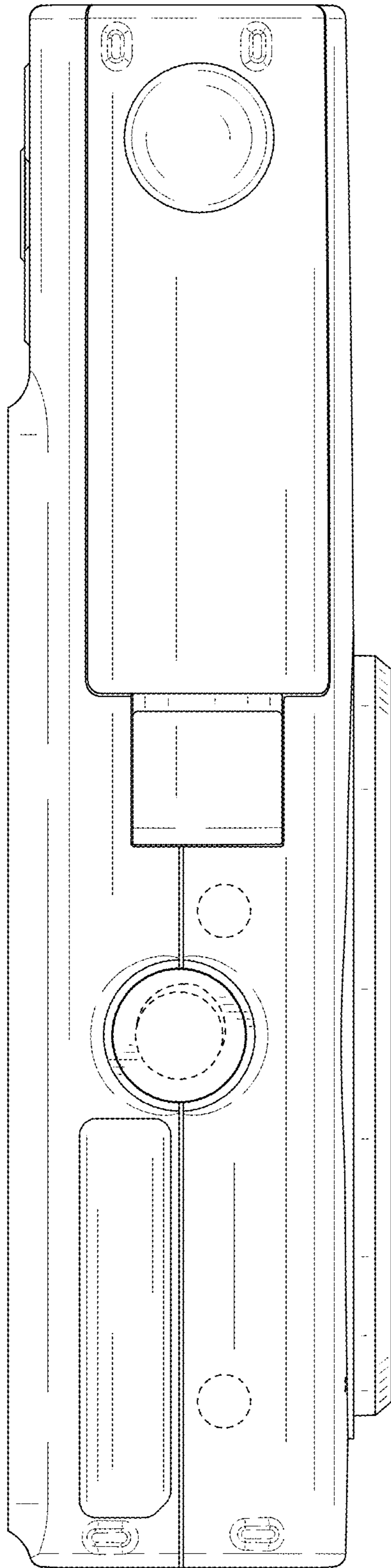


FIG. 8

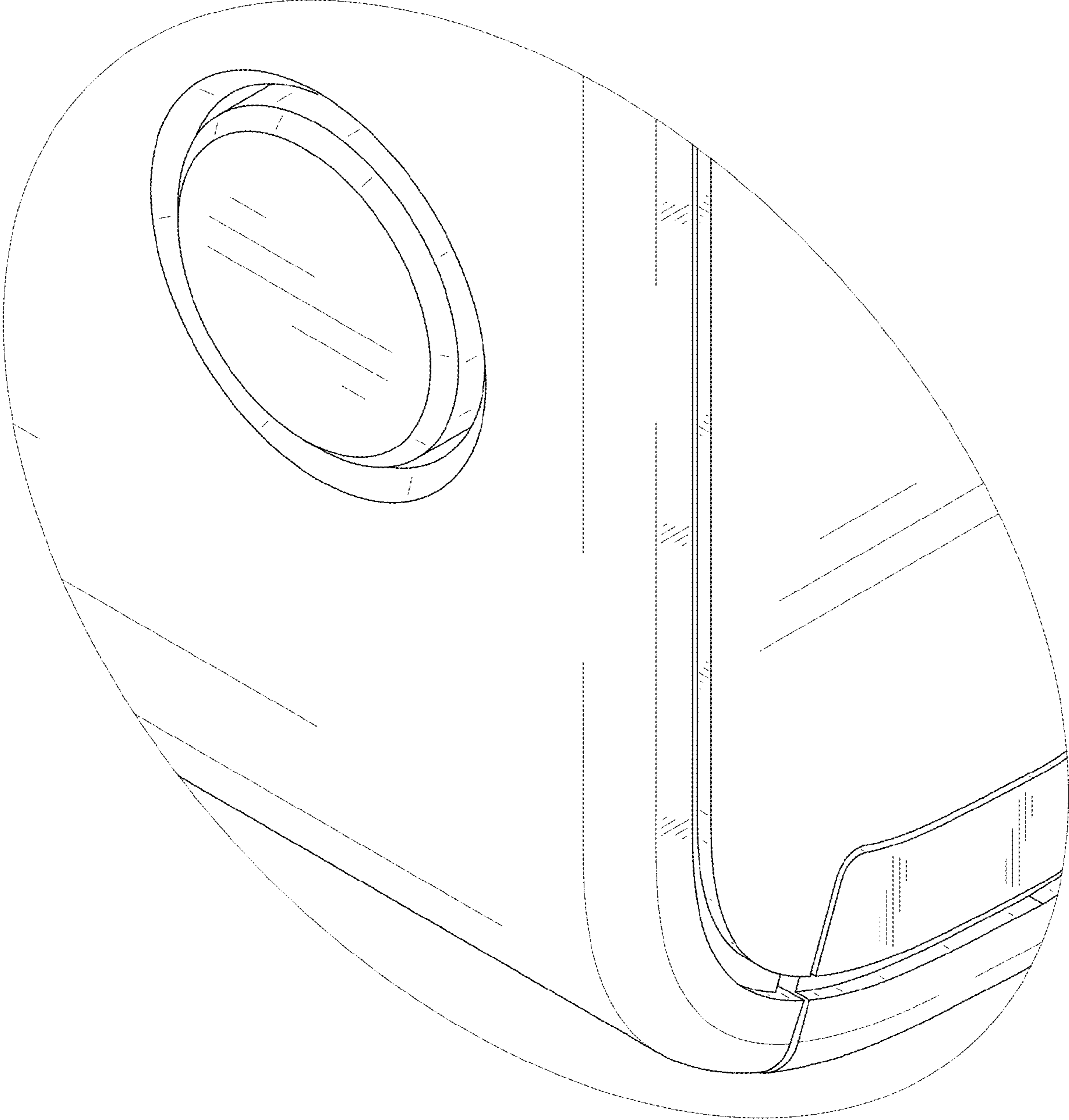


FIG. 9

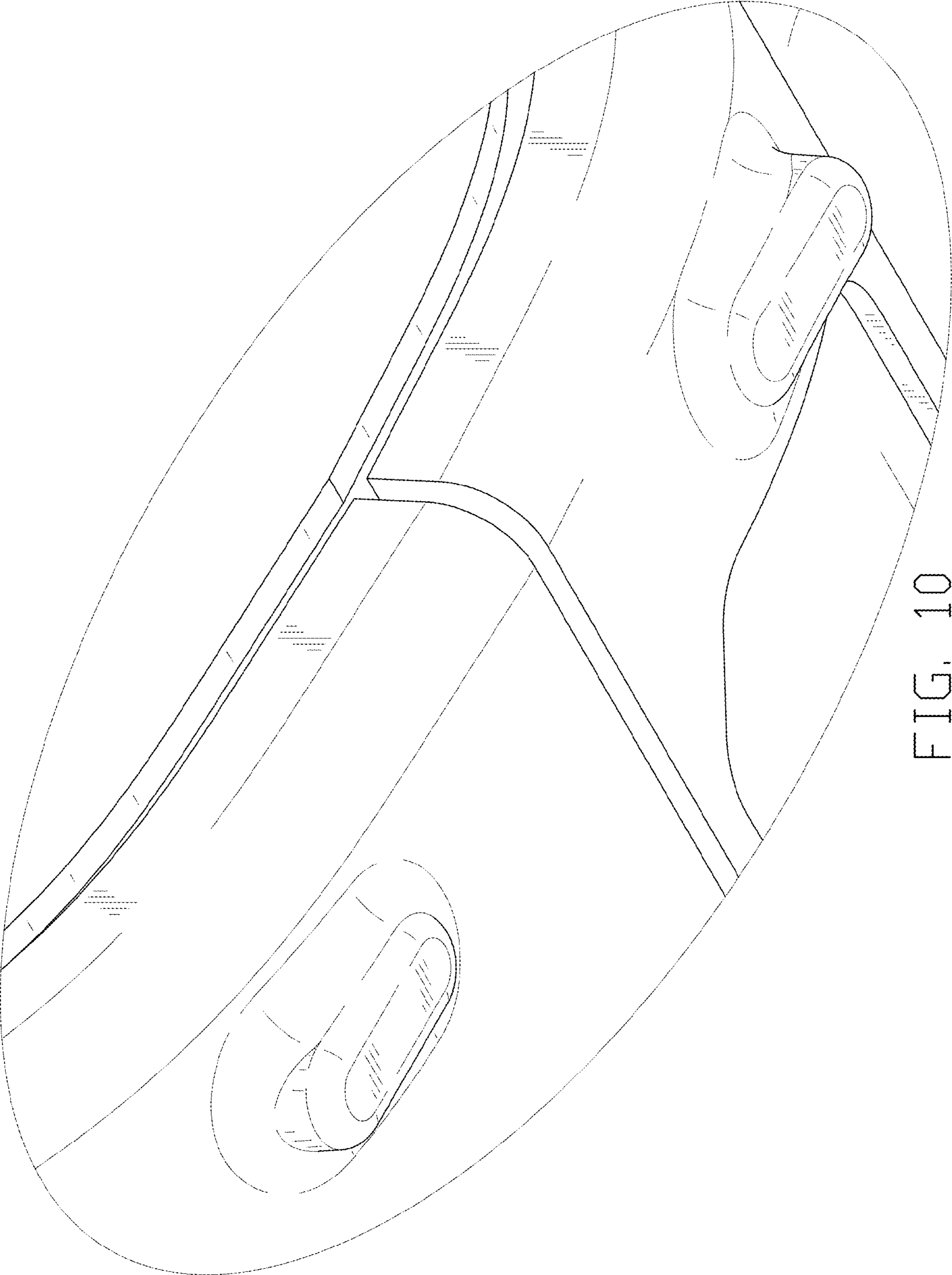


FIG. 10