

US00D974443S

(12) **United States Design Patent**
Zheng

(10) **Patent No.:** **US D974,443 S**

(45) **Date of Patent:** **** Jan. 3, 2023**

(54) **CAMERA**

(71) Applicant: **Zelin Zheng**, Shantou (CN)

(72) Inventor: **Zelin Zheng**, Shantou (CN)

(**) Term: **15 Years**

(21) Appl. No.: **29/791,206**

(22) Filed: **Jan. 5, 2022**

(51) **LOC (14) Cl.** **16-01**

(52) **U.S. Cl.**

USPC **D16/202**

(58) **Field of Classification Search**

USPC D16/200–203, 211, 214; D14/203.1, 204,
D14/203.8, 209.1, 317, 474, 496;
D10/46, 70, 104.1, 106.6

CPC G03B 17/02; G03B 21/10; G03B 2217/00;
H04N 5/225; H04N 5/2251; H04N
5/2254

See application file for complete search history.

(56) **References Cited**

U.S. PATENT DOCUMENTS

D455,767 S *	4/2002	Tsang	D16/202
D523,887 S *	6/2006	Sitoh	D16/202
D573,622 S *	7/2008	Fisher	D16/202
D626,983 S *	11/2010	Serge	D16/202
D678,929 S *	3/2013	Hancock	D16/202
D754,233 S *	4/2016	Du	D16/211
D757,835 S *	5/2016	Tabuchi	D16/203
D784,434 S *	4/2017	Benedetti	D16/202
D794,106 S *	8/2017	Wang	D16/203
D798,360 S *	9/2017	Jeong	D16/203
D810,804 S *	2/2018	Borel	D16/203
D813,289 S *	3/2018	Laffon de Mazieres	D16/202
D814,544 S *	4/2018	Moon	D16/203
D818,028 S *	5/2018	Ramones	D16/202
D819,714 S *	6/2018	Luo	D16/202
D820,125 S *	6/2018	Chen	D10/70
D825,637 S *	8/2018	Moon	D16/203

D828,425 S *	9/2018	Piekarski	D16/202
D828,426 S *	9/2018	Li	D16/202
D831,089 S *	10/2018	Laffon de Mazieres	D16/202

(Continued)

FOREIGN PATENT DOCUMENTS

CN	303979379	*	12/2016
CN	304494445	*	2/2018
CN	305115398	*	4/2019

OTHER PUBLICATIONS

“Exis Webcam” from Trust.com, first retrieved Aug. 11, 2022 from the internet <<https://www.trust.com/en/product/17003-exis-webcam-black-silver>> (Year: 2022).*

(Continued)

Primary Examiner — Elizabeth J Oswecki
Assistant Examiner — Lacey Chey Bowman
(74) *Attorney, Agent, or Firm* — Runit Ranjit Kanakia

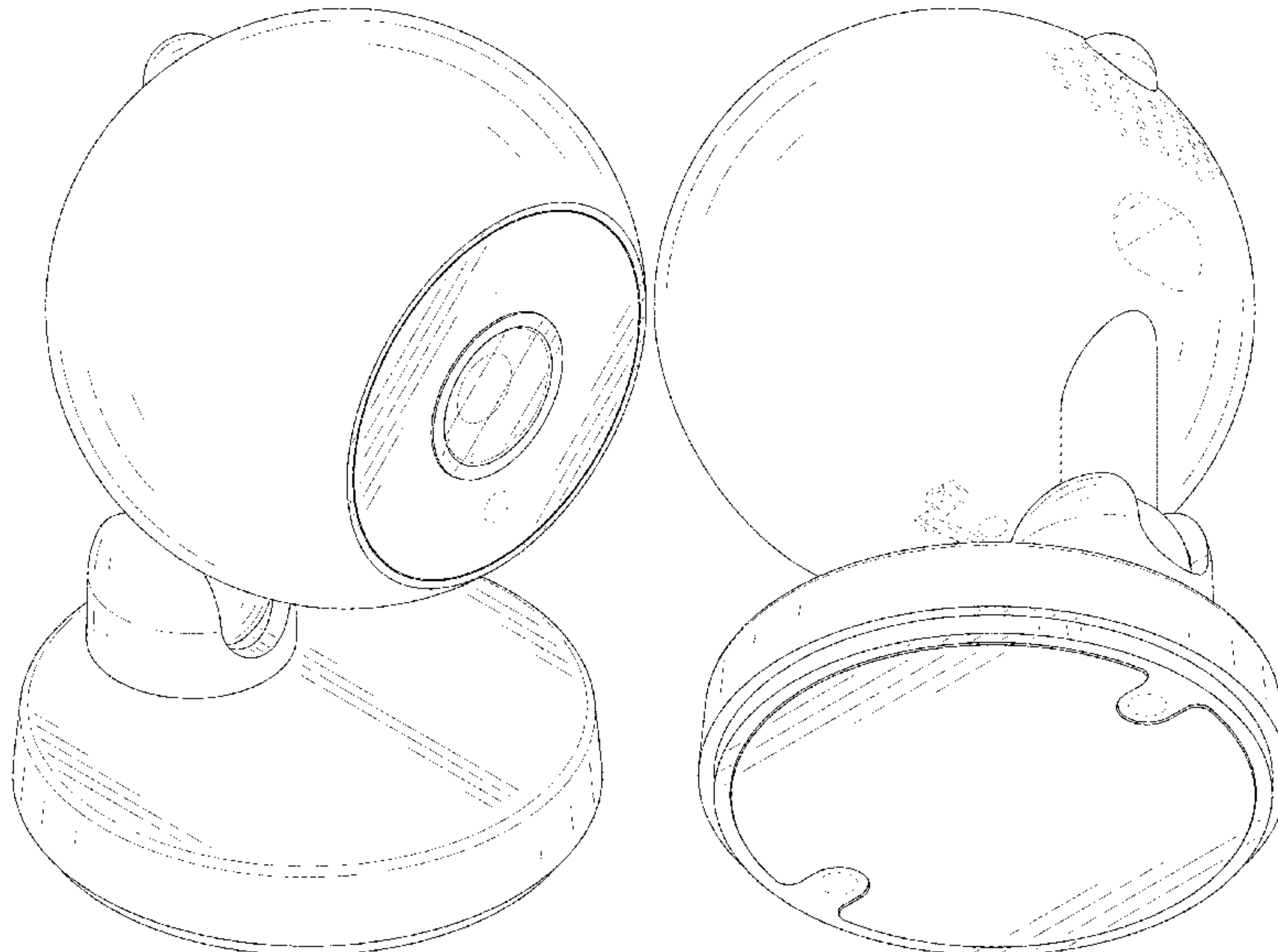
(57) **CLAIM**

The ornamental design for a camera, as shown and described.

DESCRIPTION

FIG. 1 is a first perspective view of a camera showing my new design;
FIG. 2 is a second perspective view thereof;
FIG. 3 is a front view thereof;
FIG. 4 is a back view thereof;
FIG. 5 is a left side view thereof;
FIG. 6 is a right side view thereof;
FIG. 7 is a top view thereof;
FIG. 8 is a bottom view thereof; and,
FIG. 9 is a perspective view thereof, shown in an unfolded position.
The broken lines shown in the drawings depict portions of the camera in which the design is embodied that form no part of the claimed design.

1 Claim, 9 Drawing Sheets



(56)

References Cited

U.S. PATENT DOCUMENTS

D848,501 S * 5/2019 Read D16/202
D863,406 S * 10/2019 Laffon de Mazieres D16/242
D873,882 S * 1/2020 Wang D16/202
D892,898 S * 8/2020 Jacob D16/203
D894,993 S 9/2020 Hurndell
D907,094 S * 1/2021 Gartrell D16/203
D912,121 S * 3/2021 Han D16/203
D914,076 S * 3/2021 Abel D16/202
D930,062 S * 9/2021 Abel D16/202
D934,942 S * 11/2021 Kawamoto D16/211
D936,124 S * 11/2021 Wu D16/202
D936,127 S 11/2021 Wu
D937,923 S * 12/2021 Lin D16/203
D954,780 S * 6/2022 Kawamoto D16/203
2019/0215423 A1 * 7/2019 Ortiz H04N 7/183

OTHER PUBLICATIONS

“Kasa Spot Pan Tilt, 24/7 Recording” from Kasasmart.com, first retrieved Aug. 11, 2022 from the internet <<https://www.kasasmart.com/us/products/security-cameras/kasa-spot-pan-tilt-24-7-recording>> (Year: 2022).*

“Google Nest Security Cam (Wired)—2nd Generation—Snow” from Amazon.com, first available Apr. 19, 2022 from the internet <<https://www.amazon.com/dp/B09J6Y8Y73/>> (Year: 2022).*

* cited by examiner

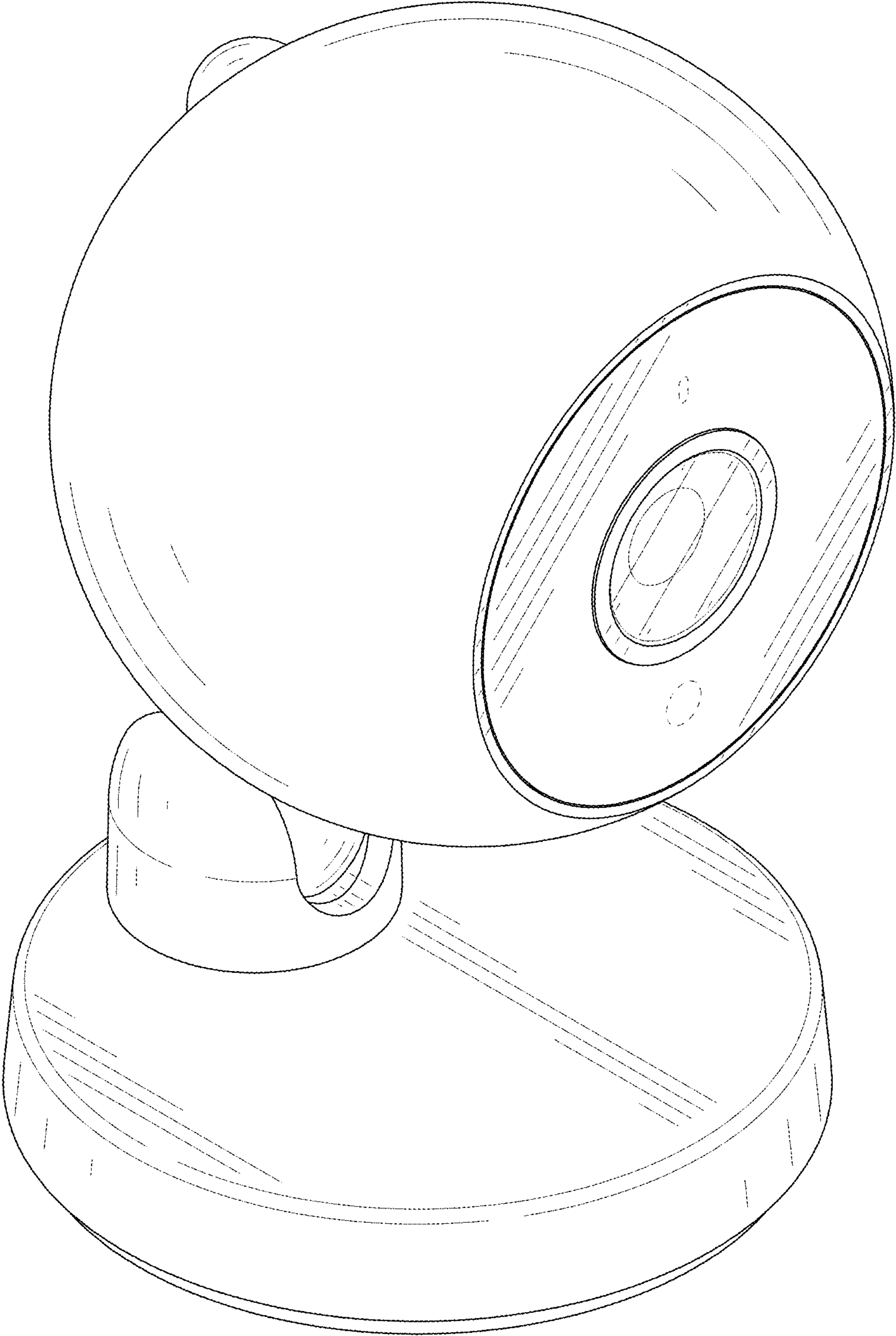


FIG. 1

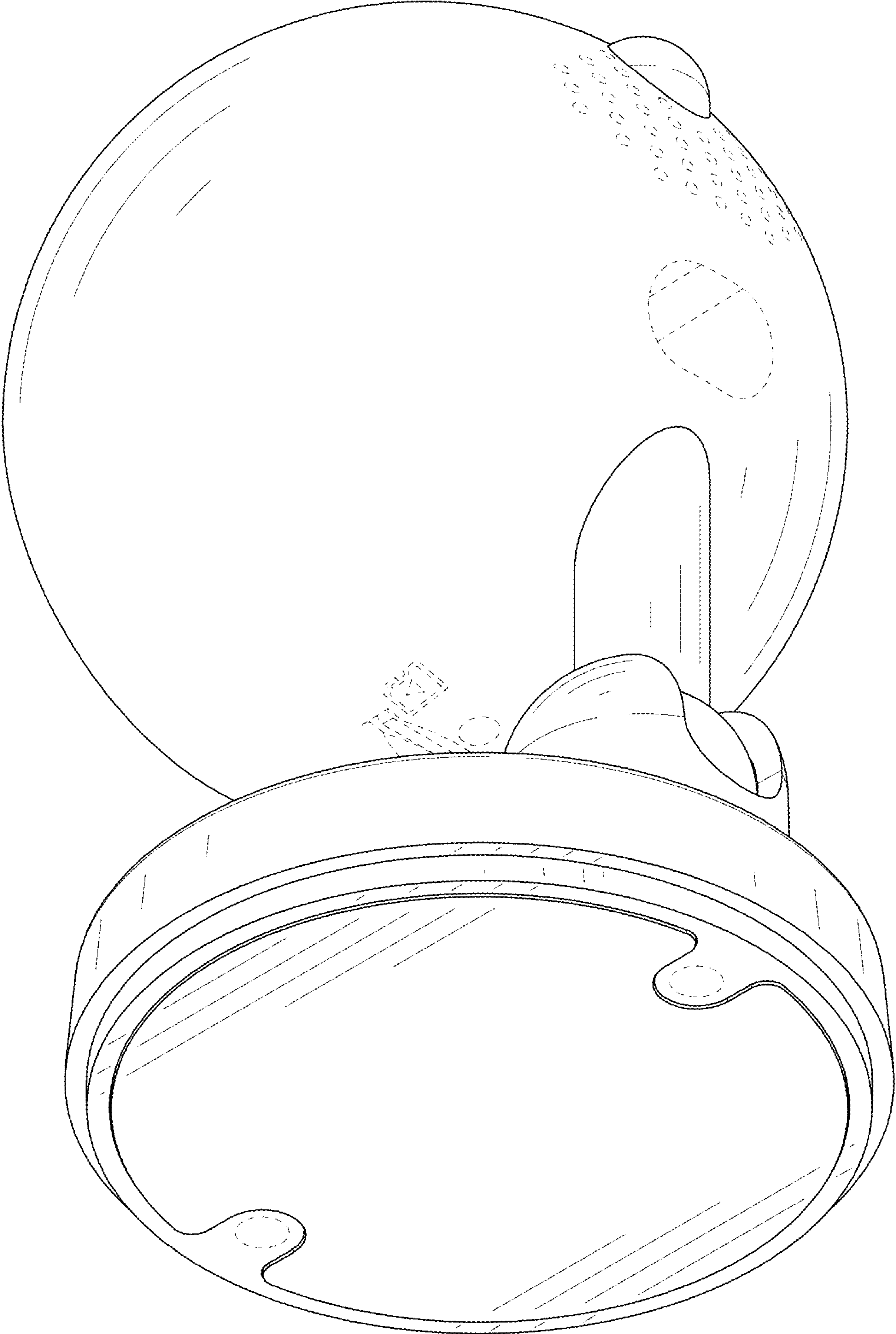


FIG. 2

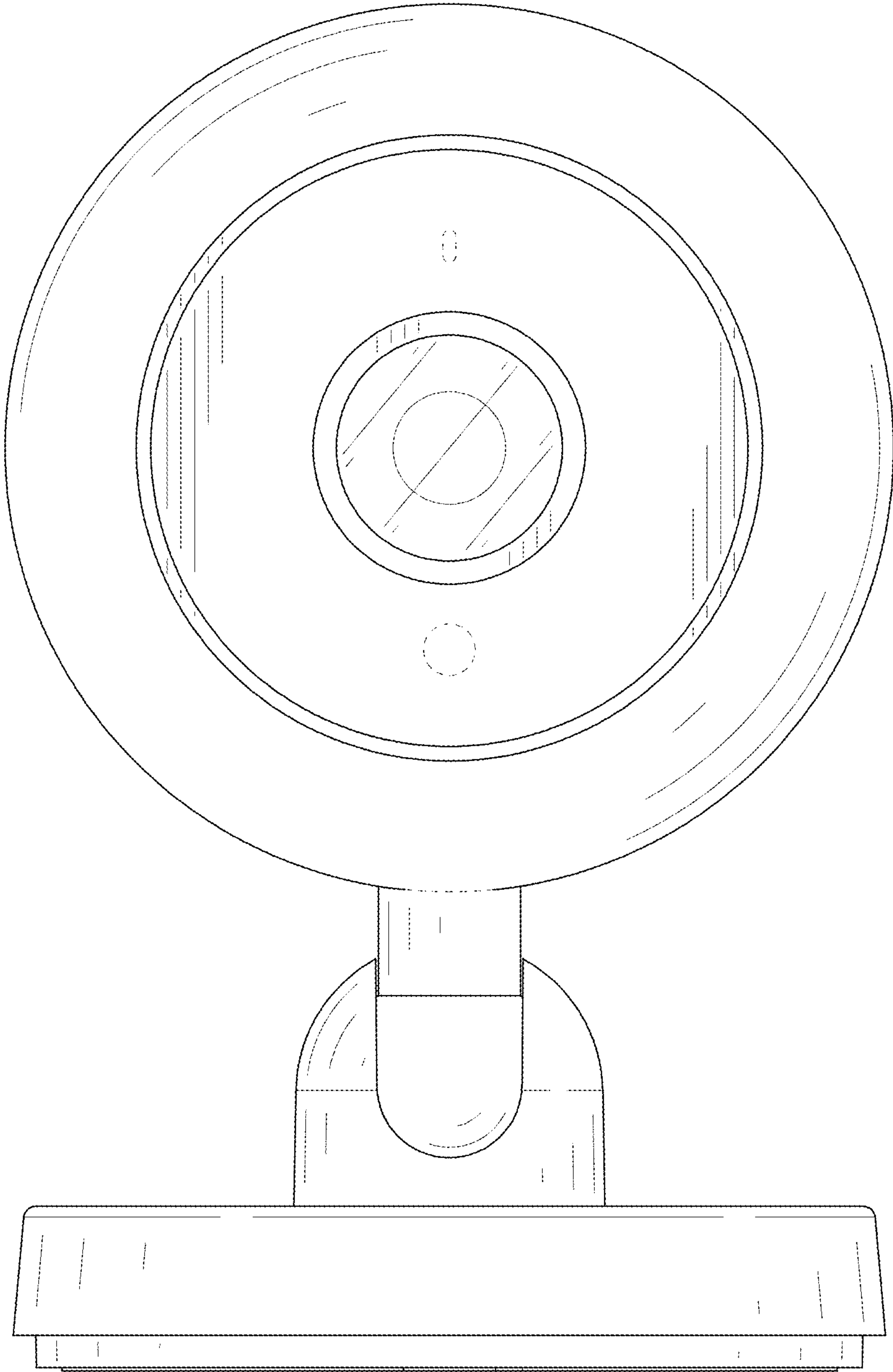


FIG. 3

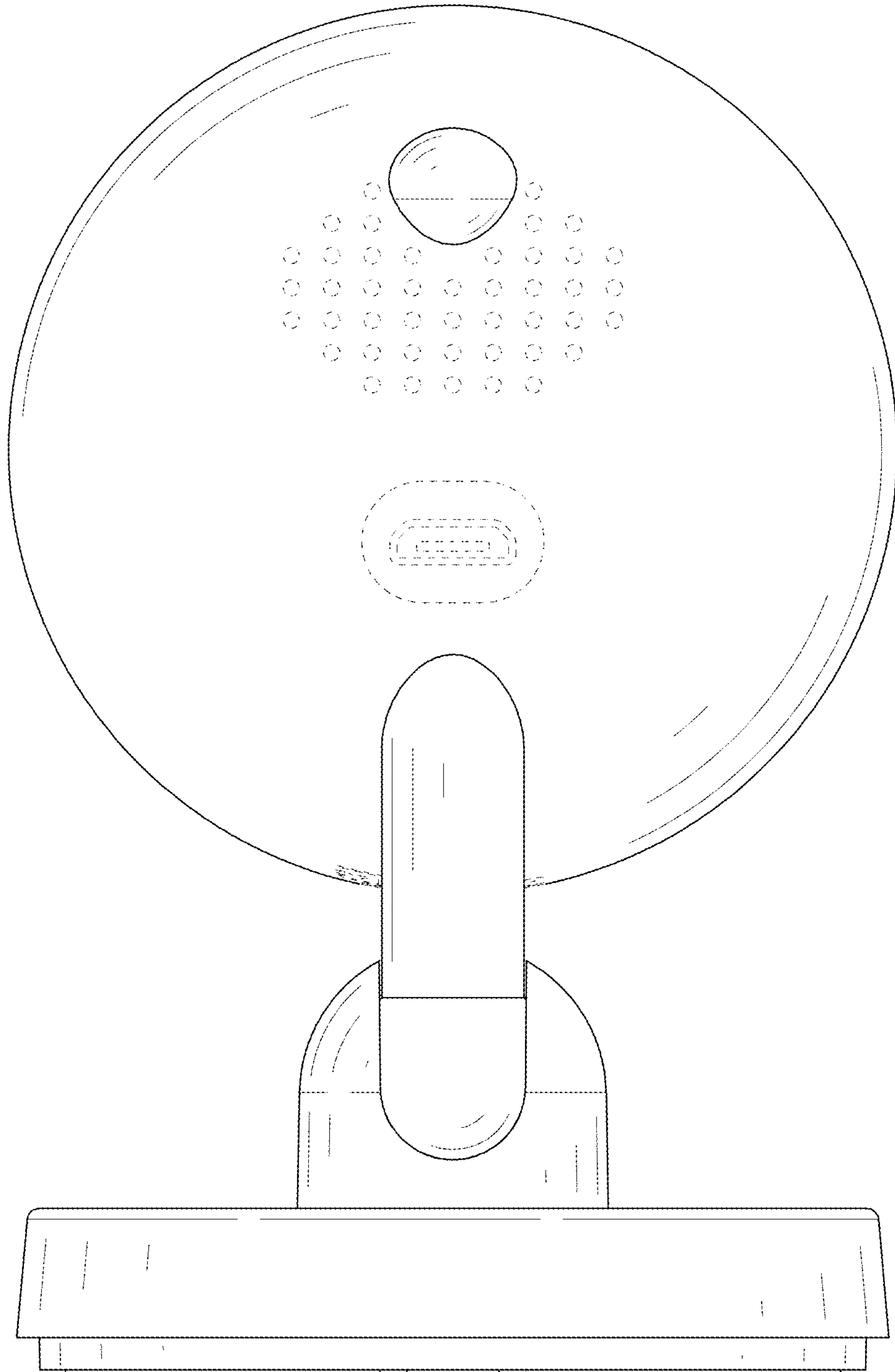


FIG. 4

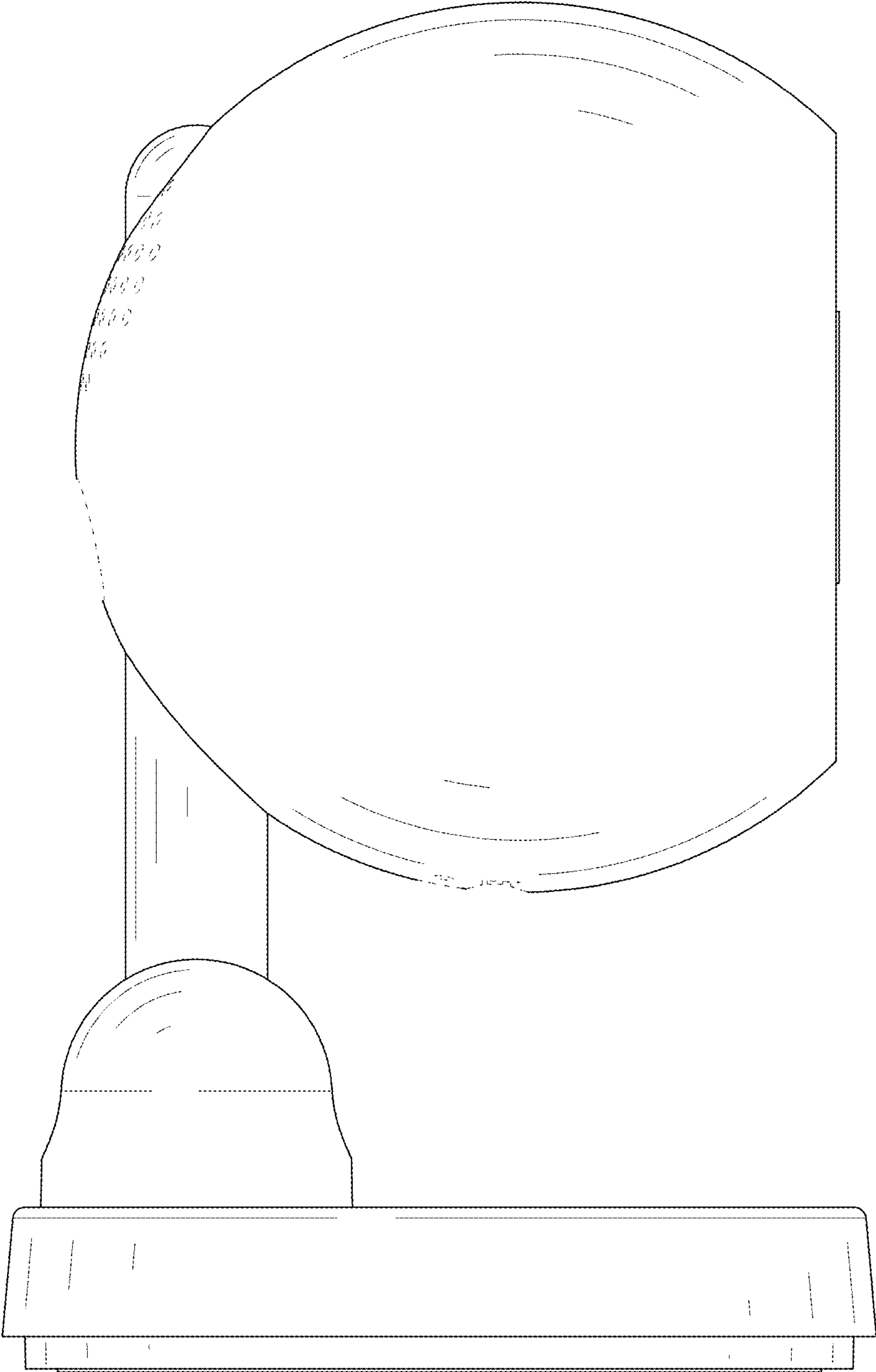


FIG. 5

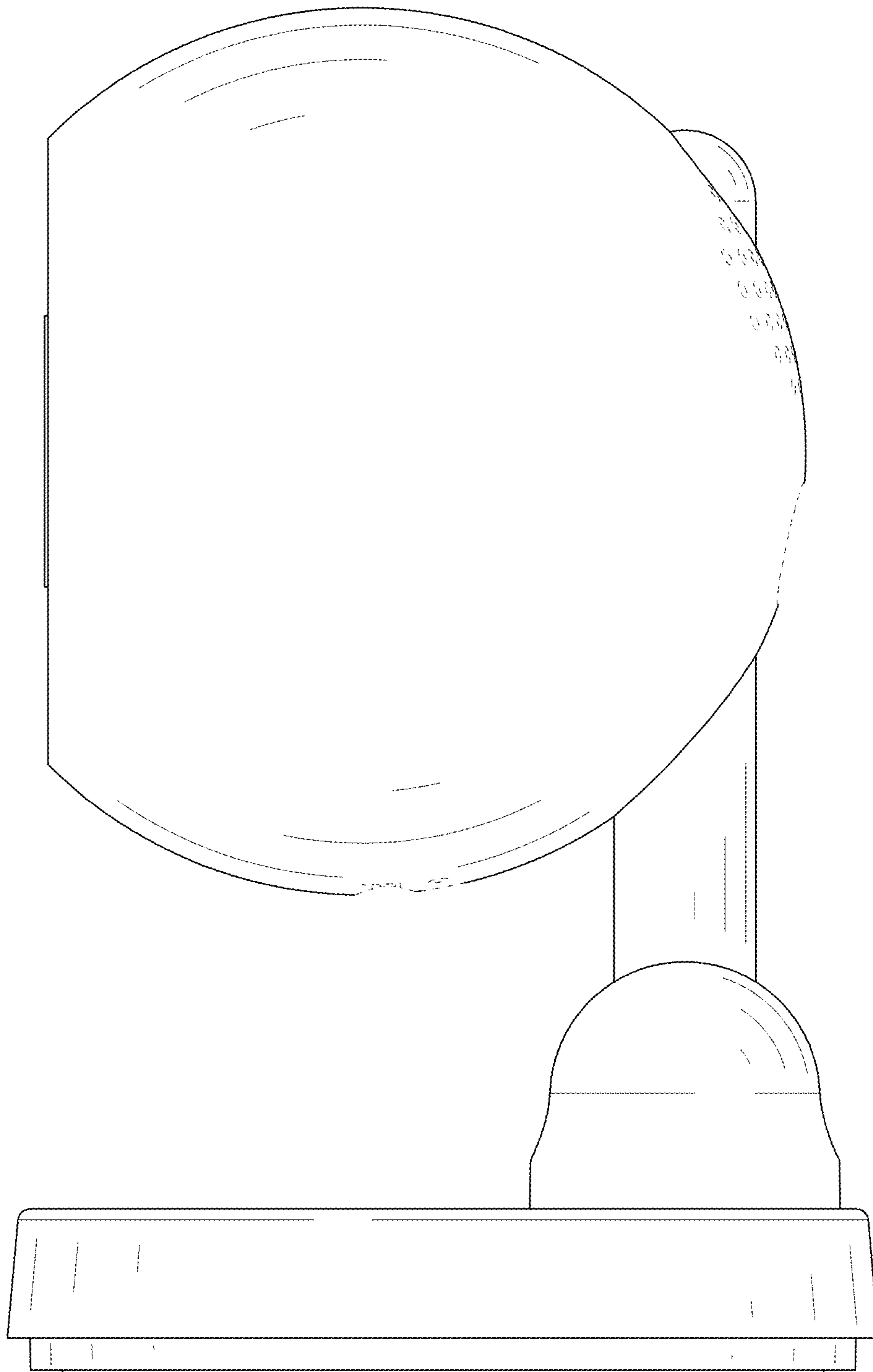


FIG. 6

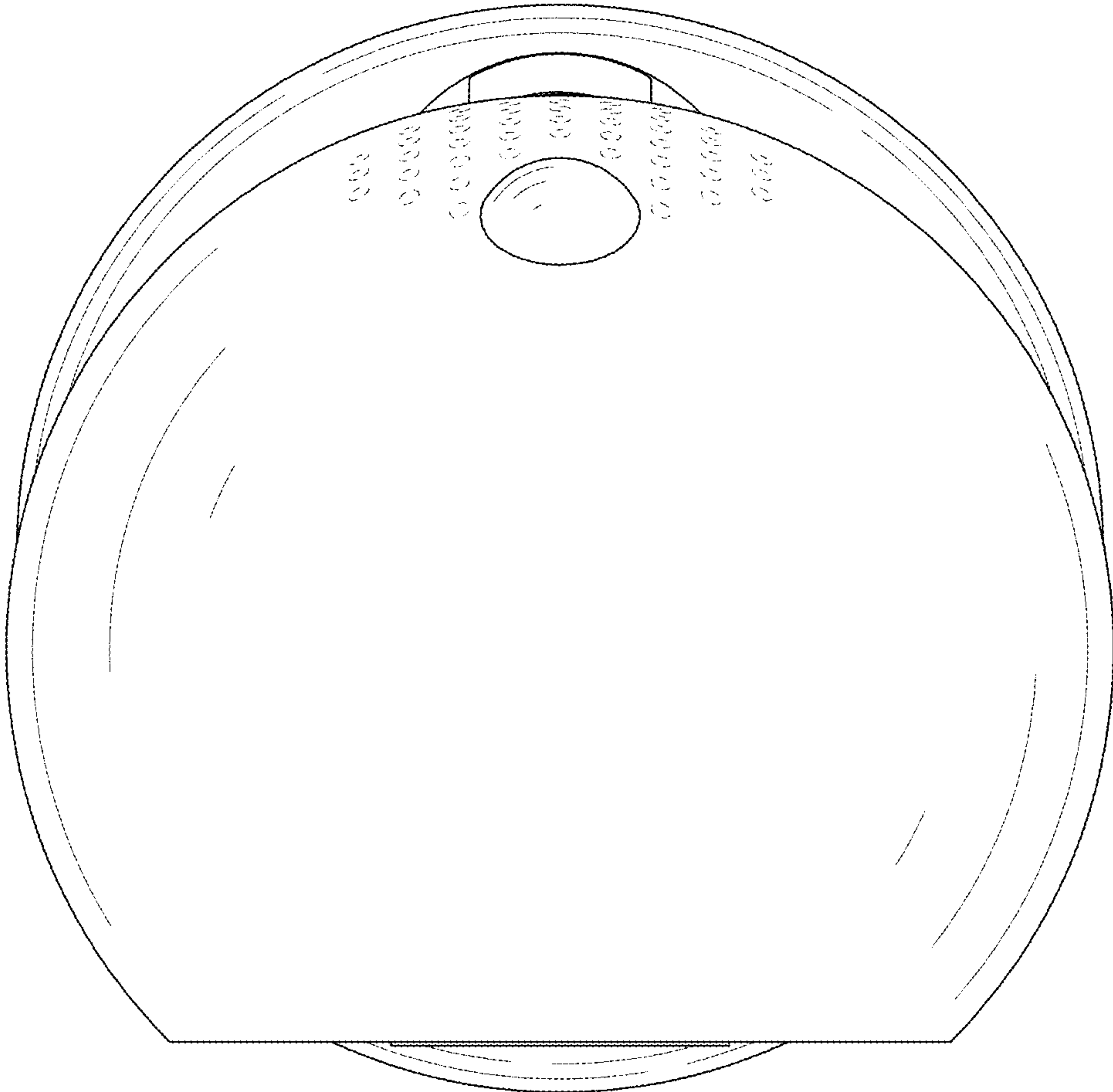


FIG. 7

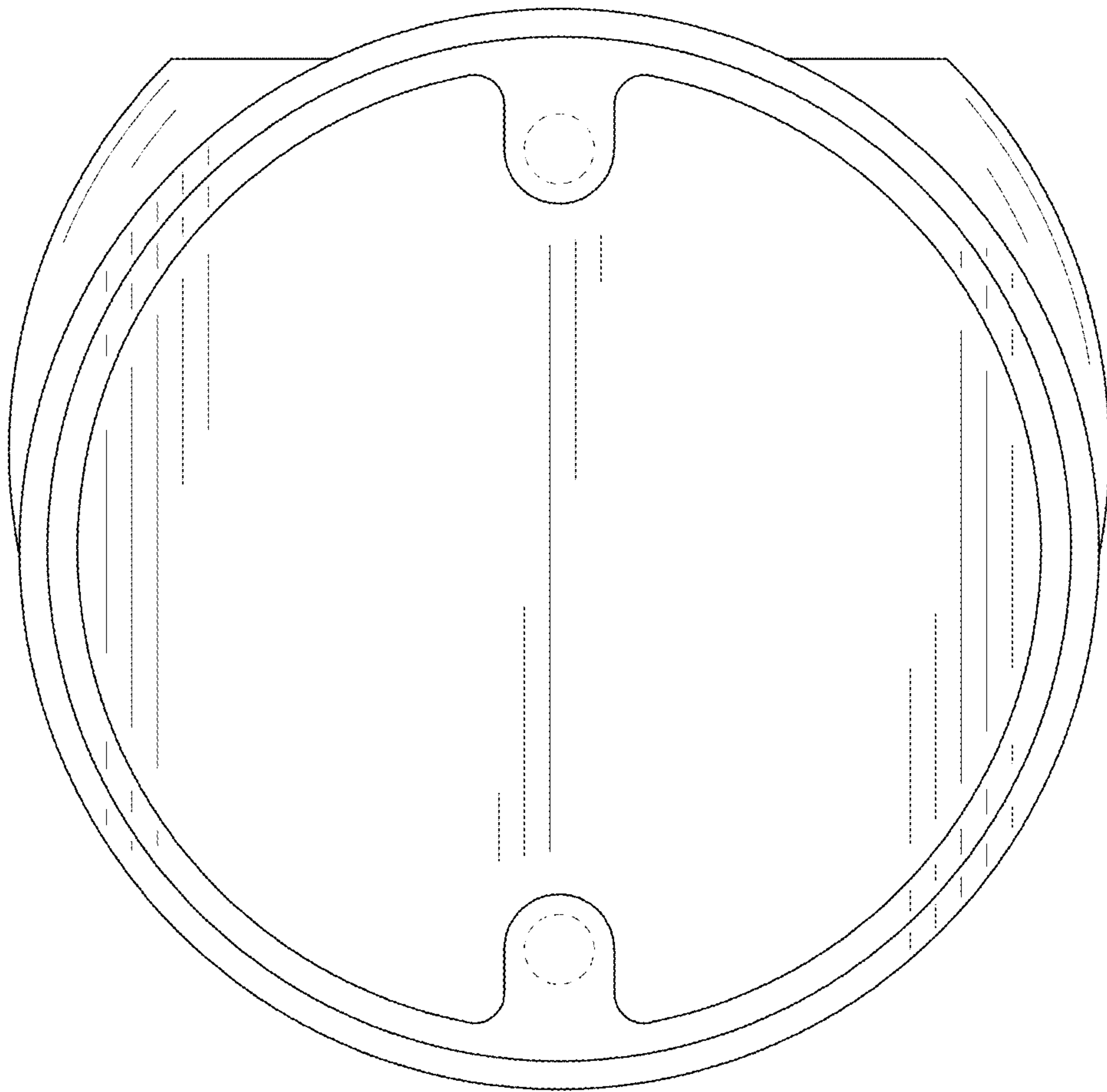


FIG. 8

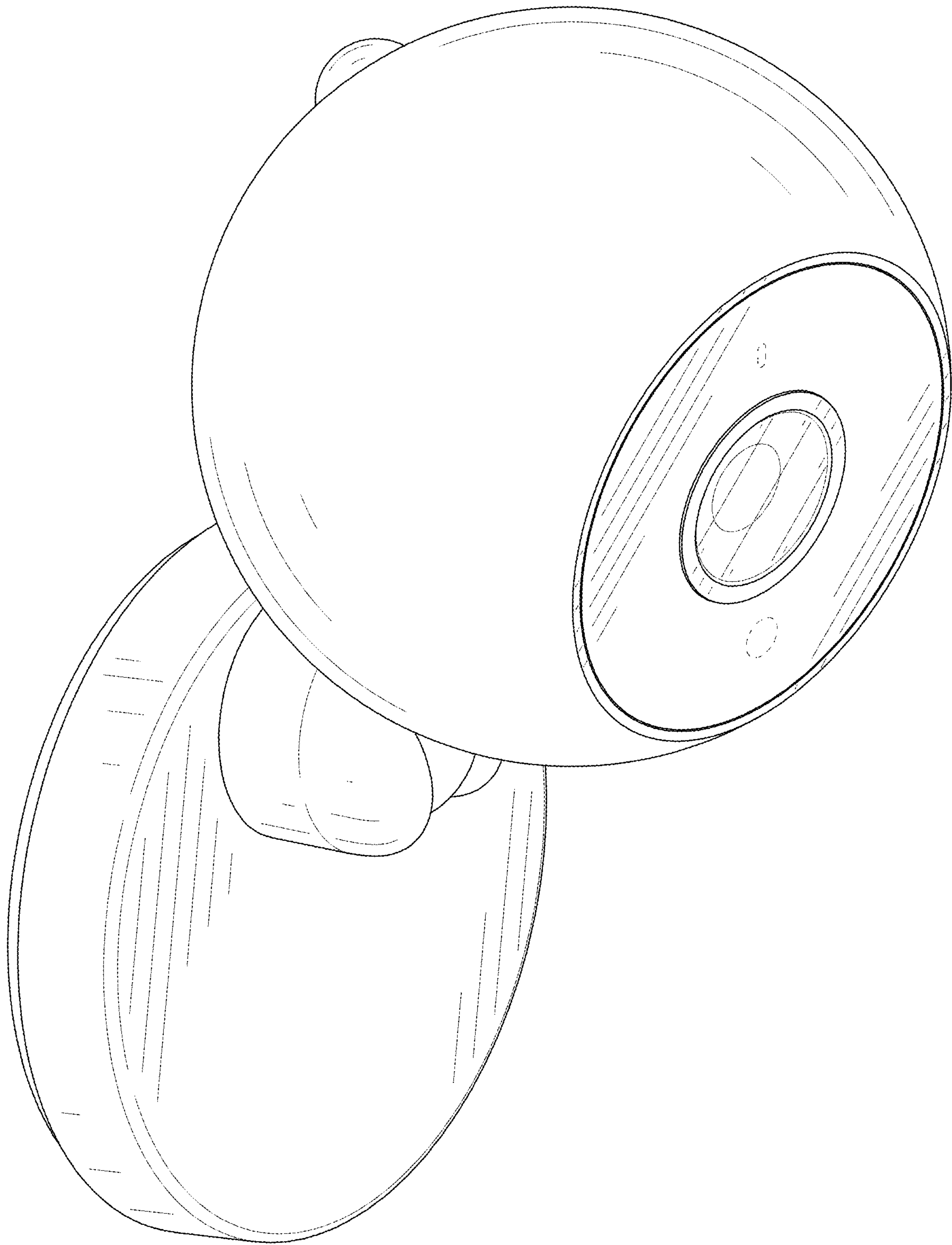


FIG. 9