



US00D974441S

(12) **United States Design Patent**
Wang et al.

(10) **Patent No.:** **US D974,441 S**
(45) **Date of Patent:** **** *Jan. 3, 2023**

- (54) **BINOCULARS**
- (71) Applicant: **Shenzhen Hengchikeji Technology Co., Ltd., Shenzhen (CN)**
- (72) Inventors: **Shuang Wang, Shenzhen (CN); Wei Zheng, Shanghai (CN)**
- (73) Assignee: **NEBULA ASIA (HONG KONG) LIMITED, Hong Kong (HK)**
- (*) Notice: This patent is subject to a terminal disclaimer.
- (**) Term: **15 Years**
- (21) Appl. No.: **29/784,663**
- (22) Filed: **May 20, 2021**
- (51) **LOC (14) Cl.** **16-06**
- (52) **U.S. Cl.**
USPC **D16/133**
- (58) **Field of Classification Search**
USPC D10/70; D16/130, 131, 132, 133, 134, D16/135, 136, 202–208, 219, 245; D22/108–110
CPC ... G01C 3/00; G01C 3/02; G01C 3/04; G01C 3/06; G01C 3/08; G01C 3/085; G01C 3/10; G01C 3/12; G01C 3/16; G01C 3/18; G01C 3/20; G01C 3/22; G01C 3/24; G01C 3/26; G01C 3/28; G01C 3/30; G01C 3/32; G02B 23/00; G02B 23/16; G02B 23/18
See application file for complete search history.

D623,676 S *	9/2010	Yanagisawa	D16/133
D646,311 S *	10/2011	Hoelbl	D16/133
D652,852 S *	1/2012	Hoelbl	D16/133
D681,709 S *	5/2013	Radau	D16/133
D748,177 S	1/2016	Radau		
D783,073 S	4/2017	Radau		
D869,535 S *	12/2019	Schmitt	D16/133
D869,537 S *	12/2019	Schmitt	D16/133
D869,538 S *	12/2019	Schmitt	D16/133
D896,292 S *	9/2020	Ushio	D16/133
D897,391 S *	9/2020	Proell	G02B 7/06 D16/133
D904,480 S *	12/2020	Vanková	D16/133
2019/0235226 A1 *	8/2019	Öttl	G02B 7/12
2021/0149179 A1 *	5/2021	Öttl	G02B 23/02

* cited by examiner

Primary Examiner — Richard Kearney
Assistant Examiner — Benjamin M Weeks

(57) **CLAIM**

The ornamental design for binoculars, as shown and described.

DESCRIPTION

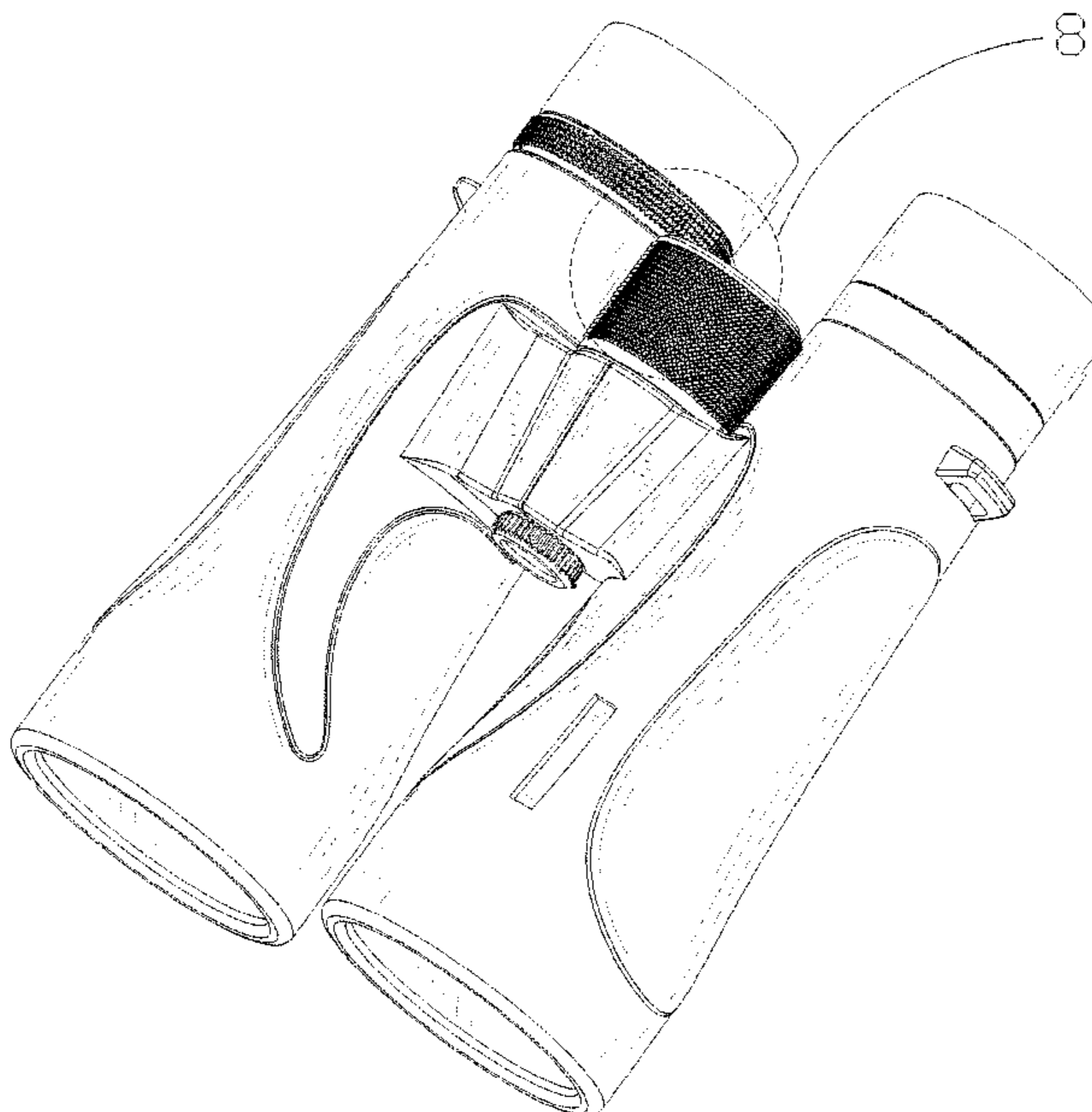
FIG. 1 is a perspective view of binoculars showing my new design;
 FIG. 2 is a front view thereof;
 FIG. 3 is a back view thereof;
 FIG. 4 is a left side view thereof;
 FIG. 5 is a right side view thereof;
 FIG. 6 is a top view thereof;
 FIG. 7 is a bottom view thereof; and,
 FIG. 8 is an enlarged perspective view thereof taken from FIG. 1.
 The broken lines shown in FIG. 6 depict environmental subject matter only and the broken lines shown in FIGS. 1 and 8 demark the enlarged view of FIG. 8; all broken lines form no part of the claimed design.

(56) **References Cited**

U.S. PATENT DOCUMENTS

D486,507 S *	2/2004	Fujii	D16/133
D523,047 S *	6/2006	Swift	D16/133

1 Claim, 8 Drawing Sheets



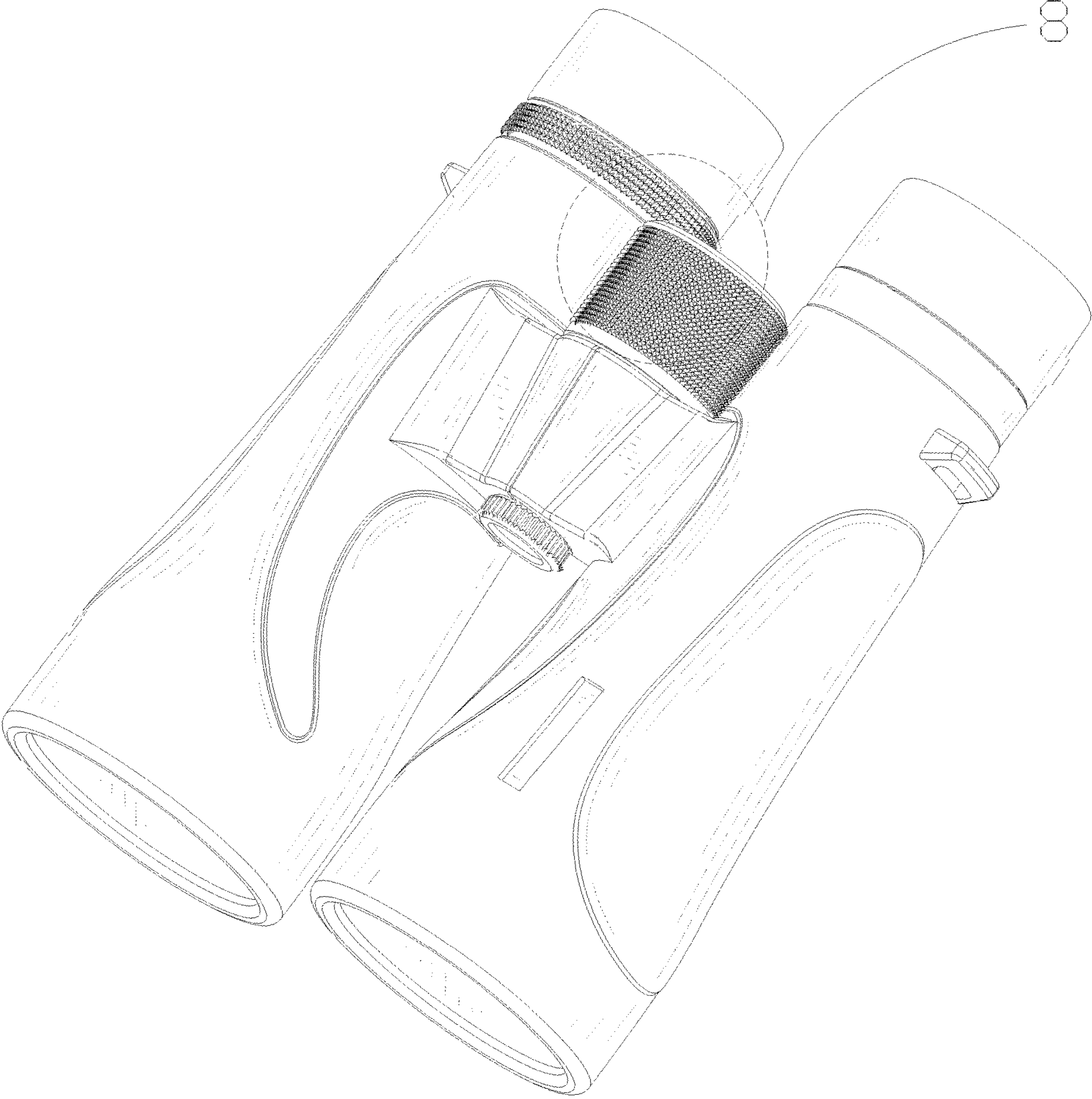


FIG.1

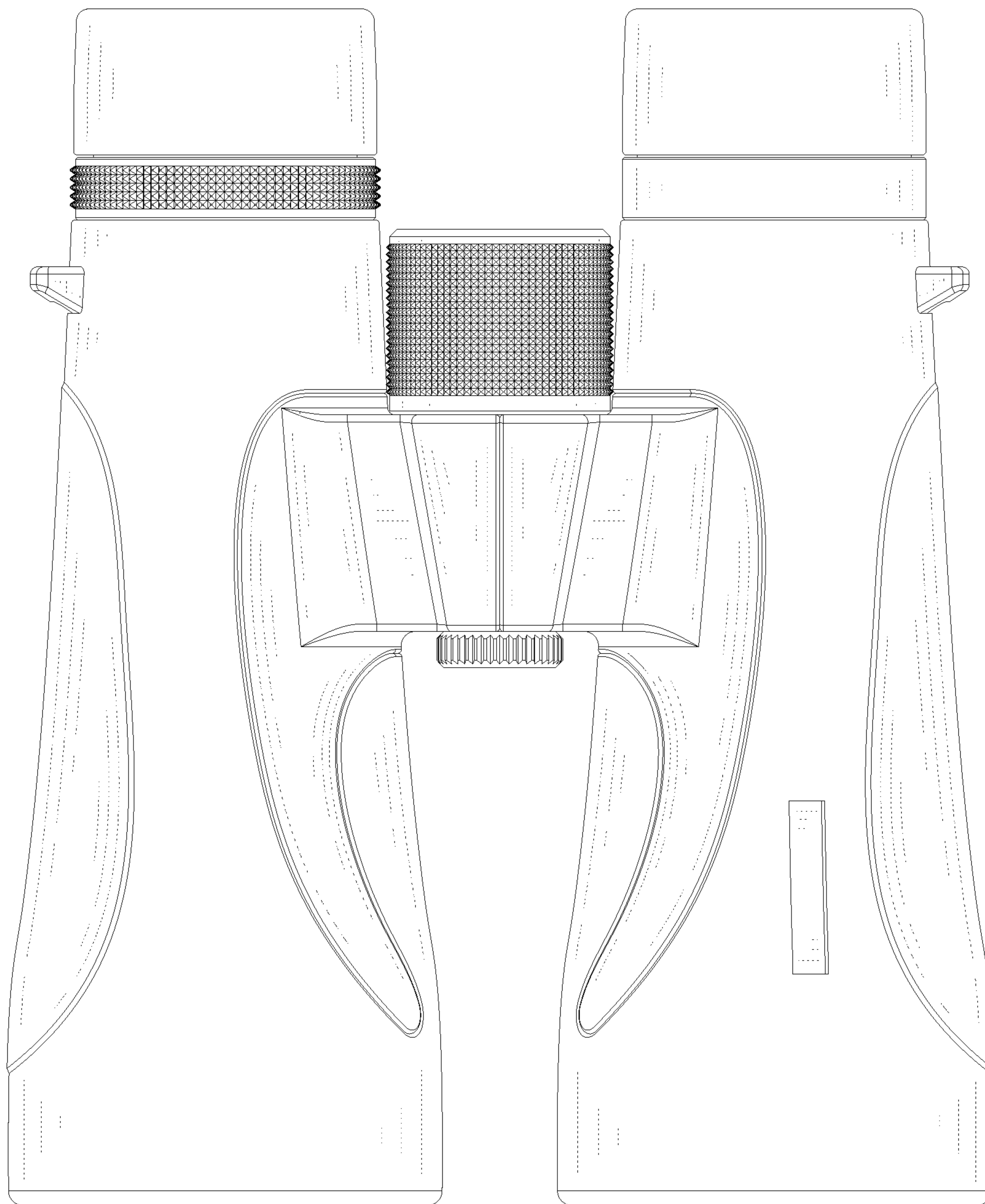


FIG. 2

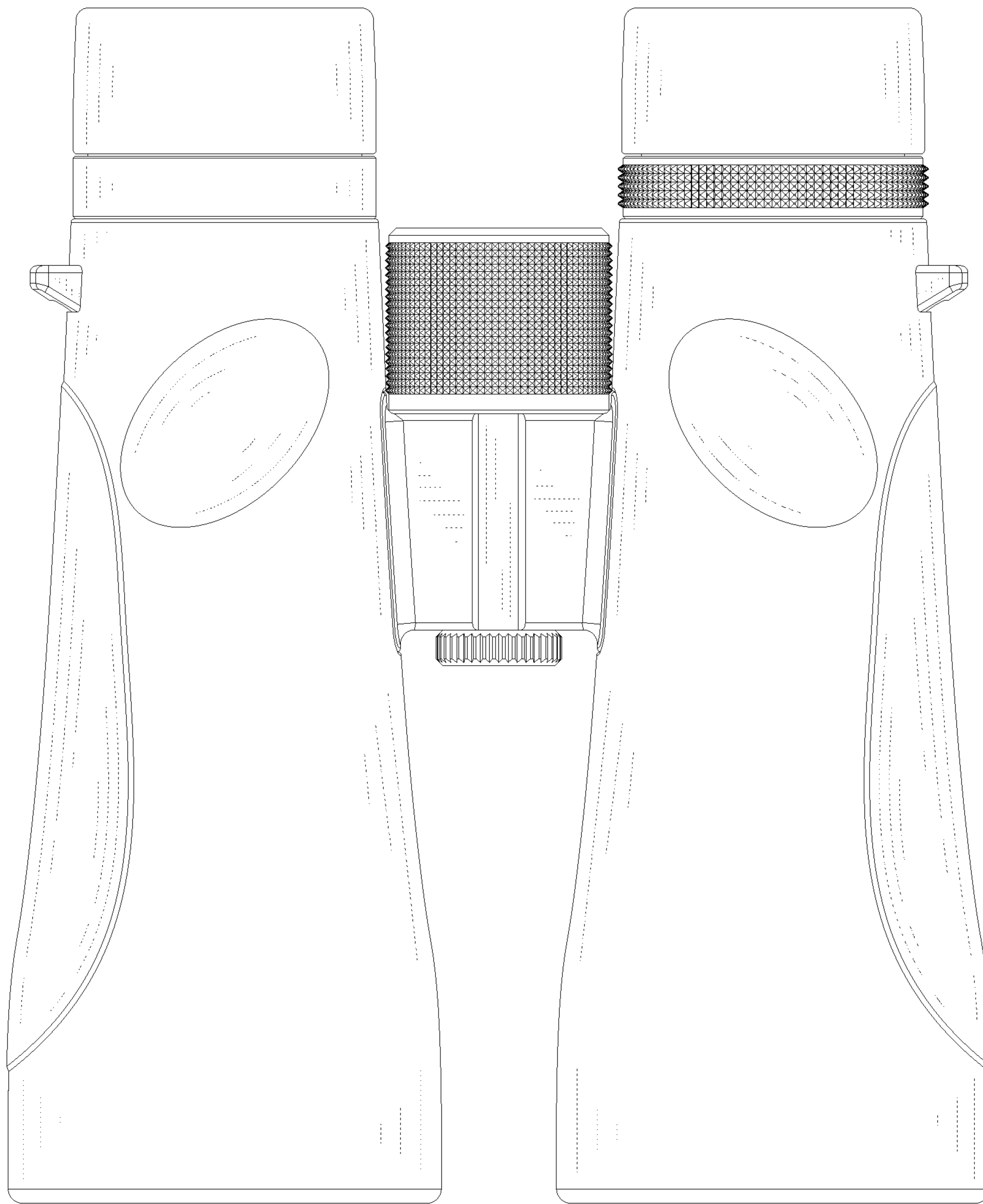


FIG. 3

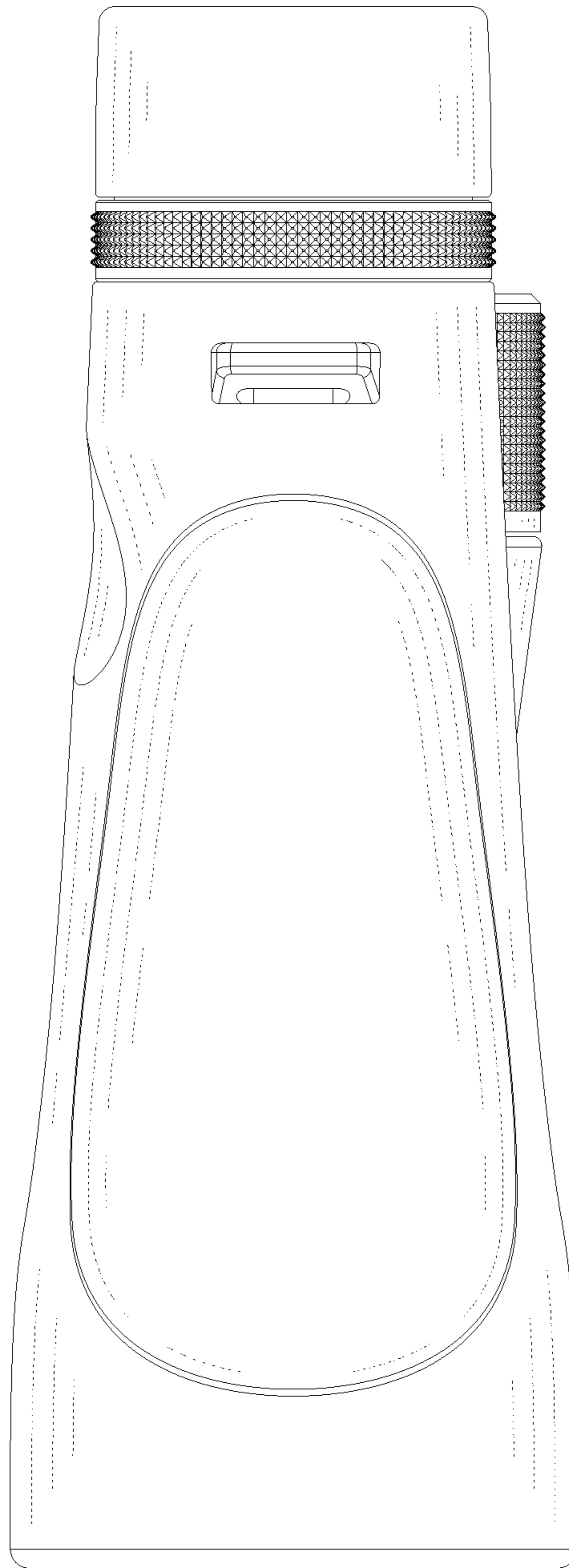


FIG. 4

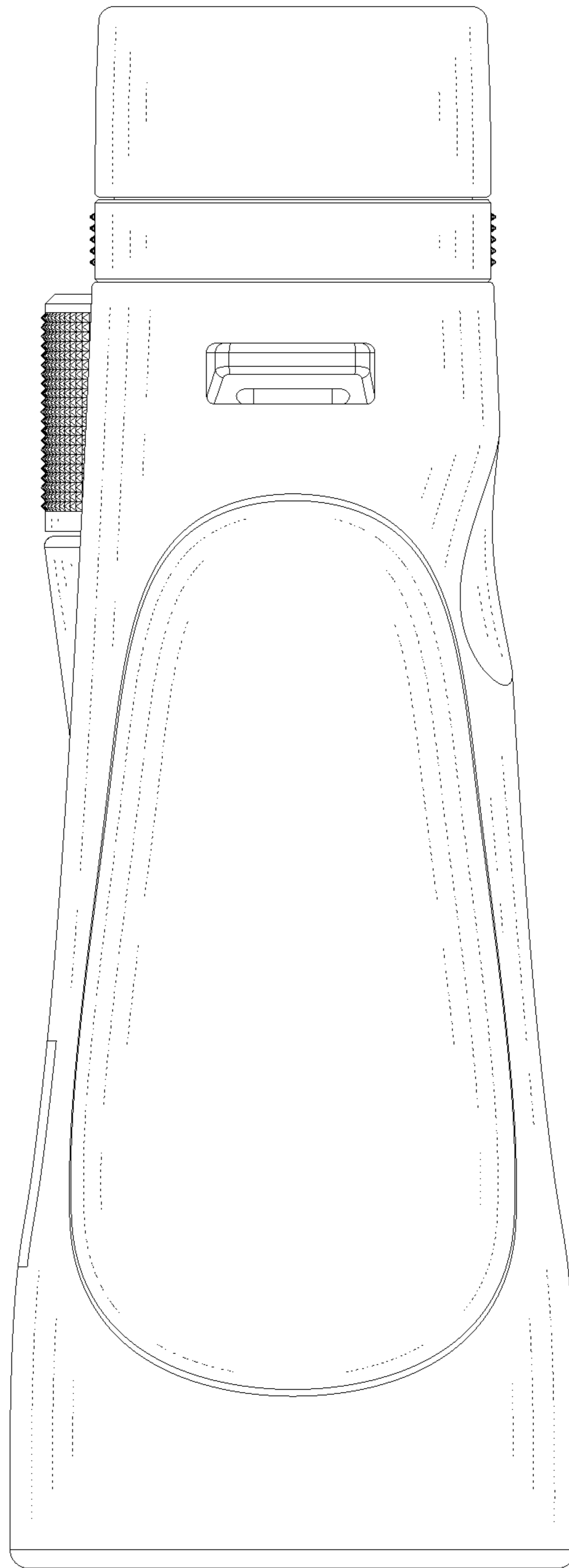


FIG. 5

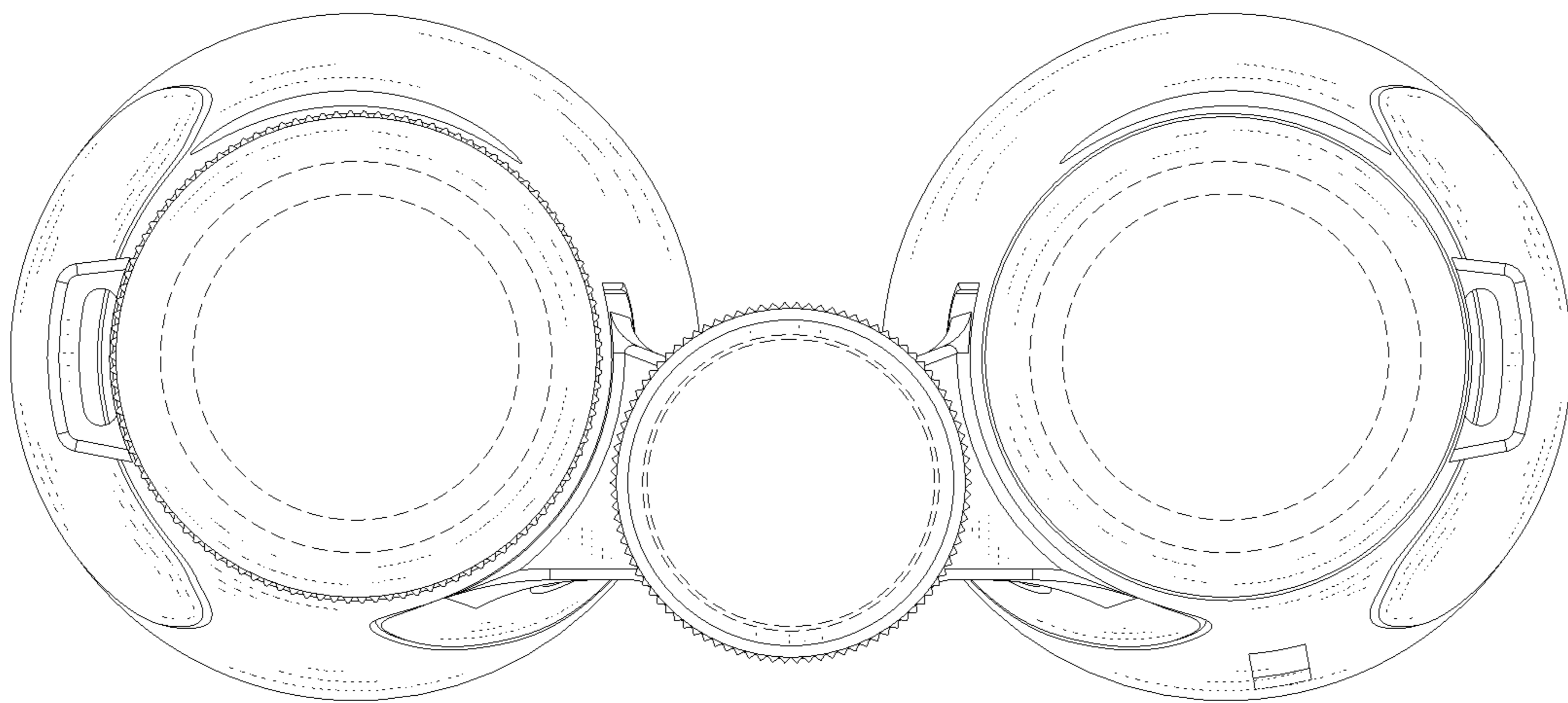


FIG.6

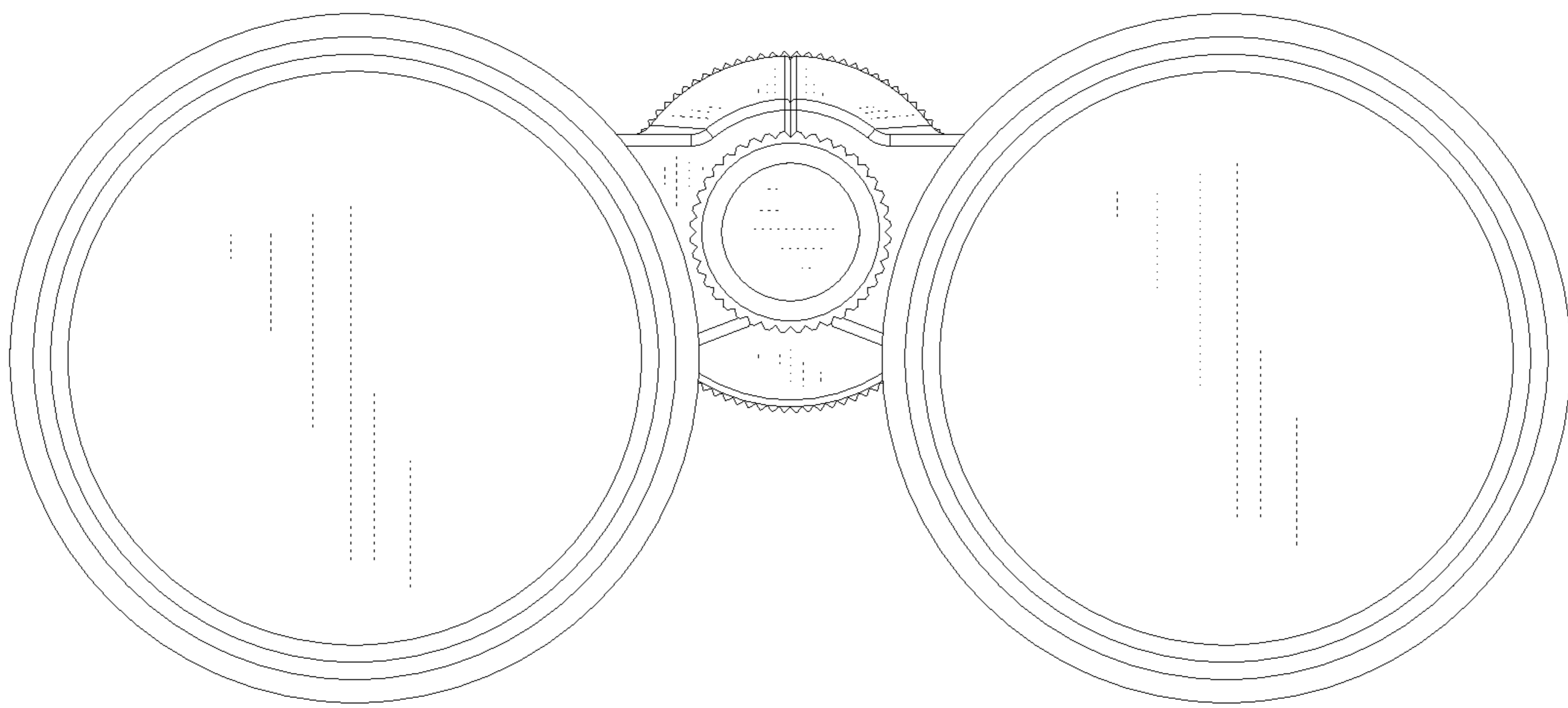


FIG. 7

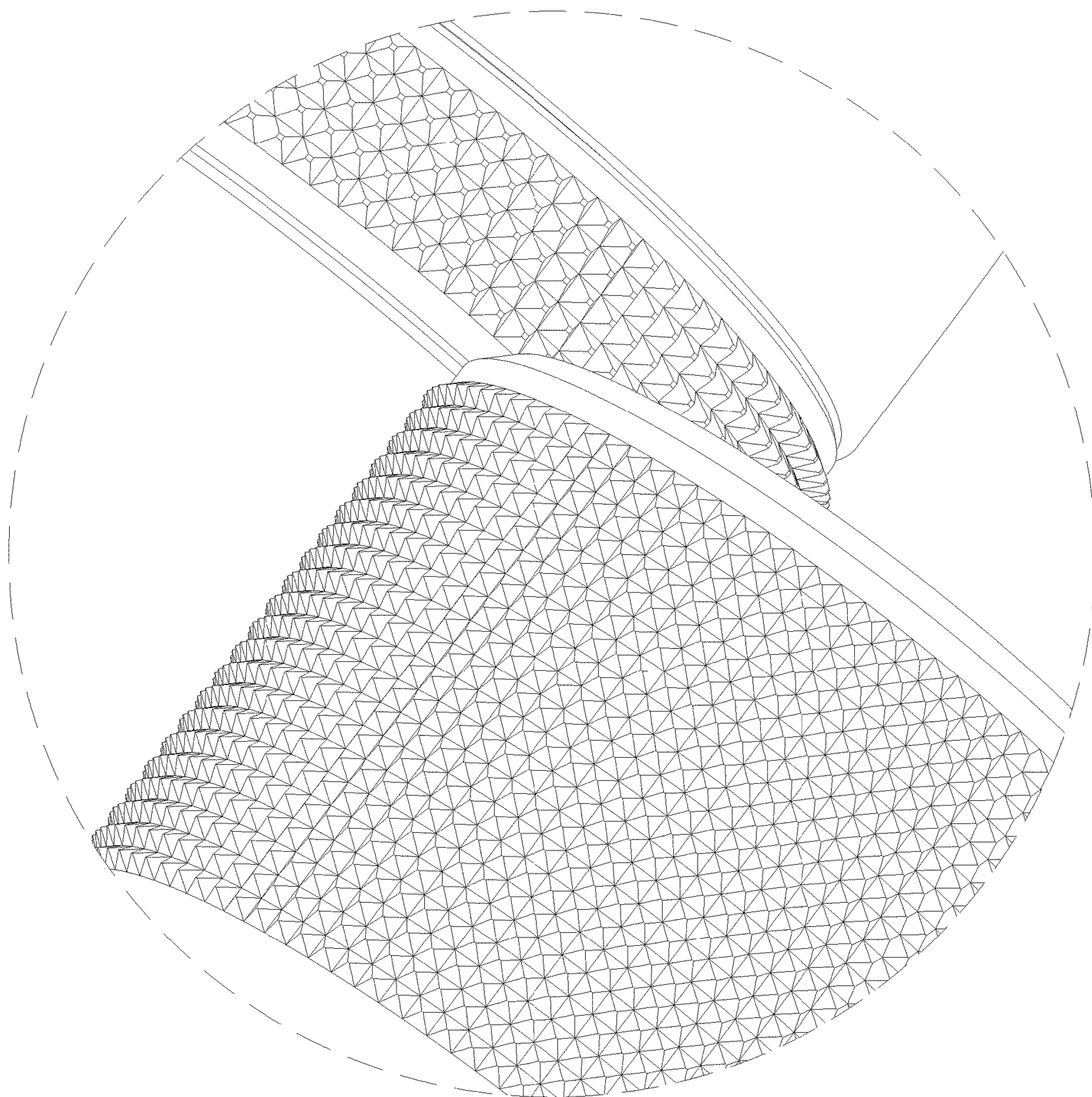


FIG. 8