



US00D974440S

(12) **United States Design Patent**  
**Luo et al.**

(10) **Patent No.:** **US D974,440 S**  
(45) **Date of Patent:** **\*\* Jan. 3, 2023**

(54) **ROBOT CASTER**

(71) Applicant: **CloudMinds Robotics Co., Ltd.**,  
Shanghai (CN)

(72) Inventors: **Cheng Luo**, Shanghai (CN); **Wenshan Deng**, Shanghai (CN); **Boyu Cui**,  
Shanghai (CN)

(\*\*) Term: **15 Years**

(21) Appl. No.: **35/514,756**

(22) Filed: **Jun. 22, 2022**

(80) **Hague Agreement Data**

Int. Filing Date: **Jun. 22, 2022**

Int. Reg. No.: **DM/222034**

Int. Reg. Date: **Jun. 22, 2022**

Int. Reg. Pub. Date: **Jul. 22, 2022**

(30) **Foreign Application Priority Data**

Dec. 22, 2021 (CN) ..... 202130849518.3

(51) **LOC (14) Cl.** ..... **15-99**

(52) **U.S. Cl.**

USPC ..... **D15/199**; D8/375

(58) **Field of Classification Search**

USPC ..... D15/199; D21/576, 578; D8/374, 375

CPC ..... B60B 5/00; B60B 33/00; B60B 33/0039;  
B60B 33/0049

See application file for complete search history.

(56) **References Cited**

**U.S. PATENT DOCUMENTS**

D310,622 S \* 9/1990 Screen ..... D8/375  
D457,809 S \* 5/2002 Holbrook ..... D8/375  
D637,069 S \* 5/2011 Venne ..... D8/375  
D810,166 S \* 2/2018 Lee ..... D21/578  
D813,958 S \* 3/2018 Dooley ..... D21/578  
D936,466 S \* 11/2021 Hozumi ..... D8/375

D941,666 S \* 1/2022 Hozumi ..... D8/375  
D941,667 S \* 1/2022 Hozumi ..... D8/375  
D962,357 S \* 8/2022 Lee ..... D21/578  
D962,358 S \* 8/2022 Chen ..... D21/578  
D964,153 S \* 9/2022 Lin ..... D8/375  
2015/0258851 A1\* 9/2015 Hart ..... A61G 5/1078  
280/86.1  
2017/0008340 A1\* 1/2017 Iiyama ..... B60B 33/028  
2022/0227171 A1\* 7/2022 Saito ..... B60B 33/00

**OTHER PUBLICATIONS**

“CloudMinds demos XR-1 humanoid robot using 5G, scales up for fleets” [online]. Eugene Demaitre. [Published on Oct. 22, 2019]. Retrieved from the Internet: <<https://www.therobotreport.com/cloudminds-demos-xr-1-humanoid-robot-using-5g-scales-up-for-fleets/>>.\*

\* cited by examiner

*Primary Examiner* — Mojtaba Tehrani

(57) **CLAIM**

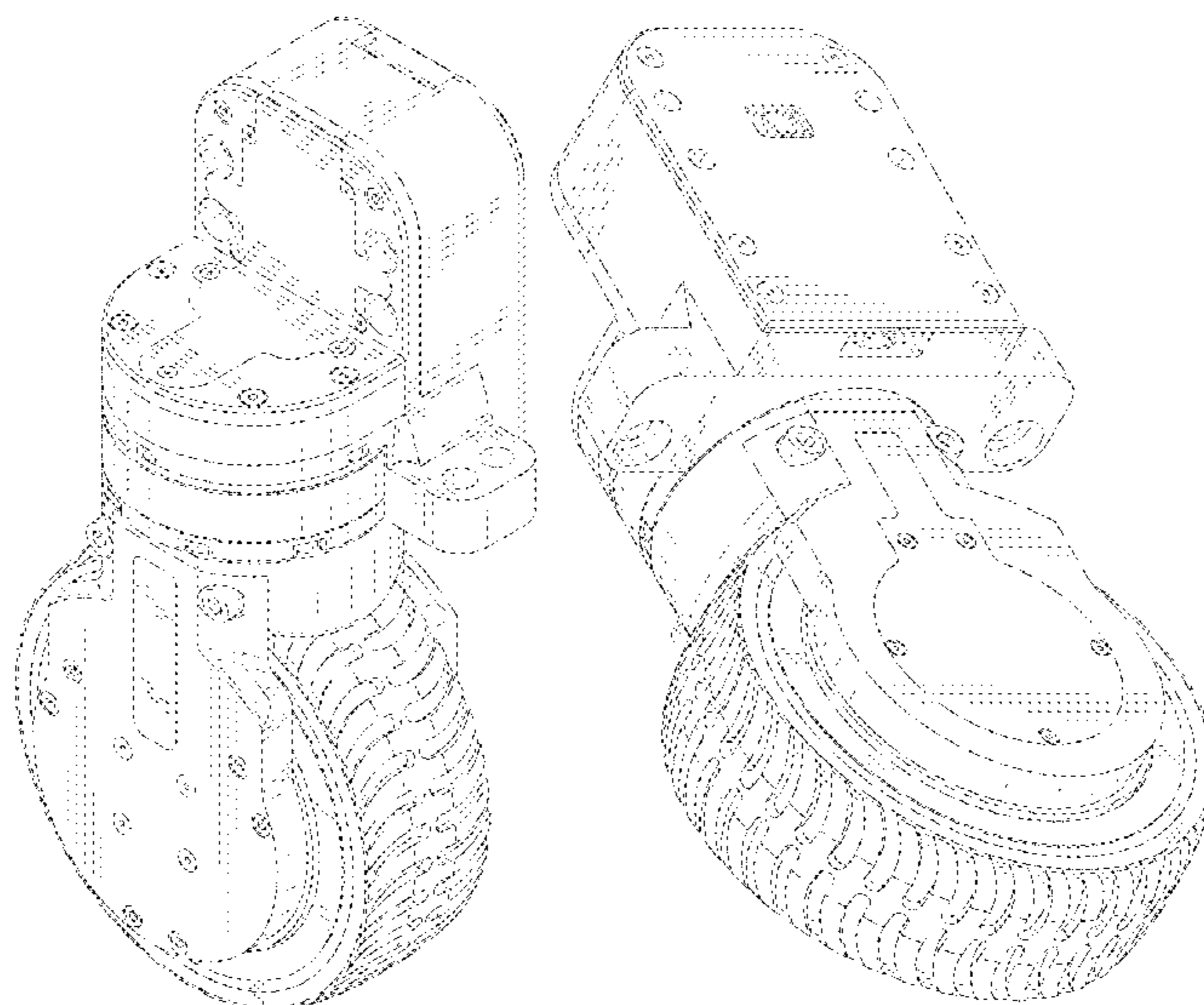
The ornamental design for a robot caster, as shown and described.

**DESCRIPTION**

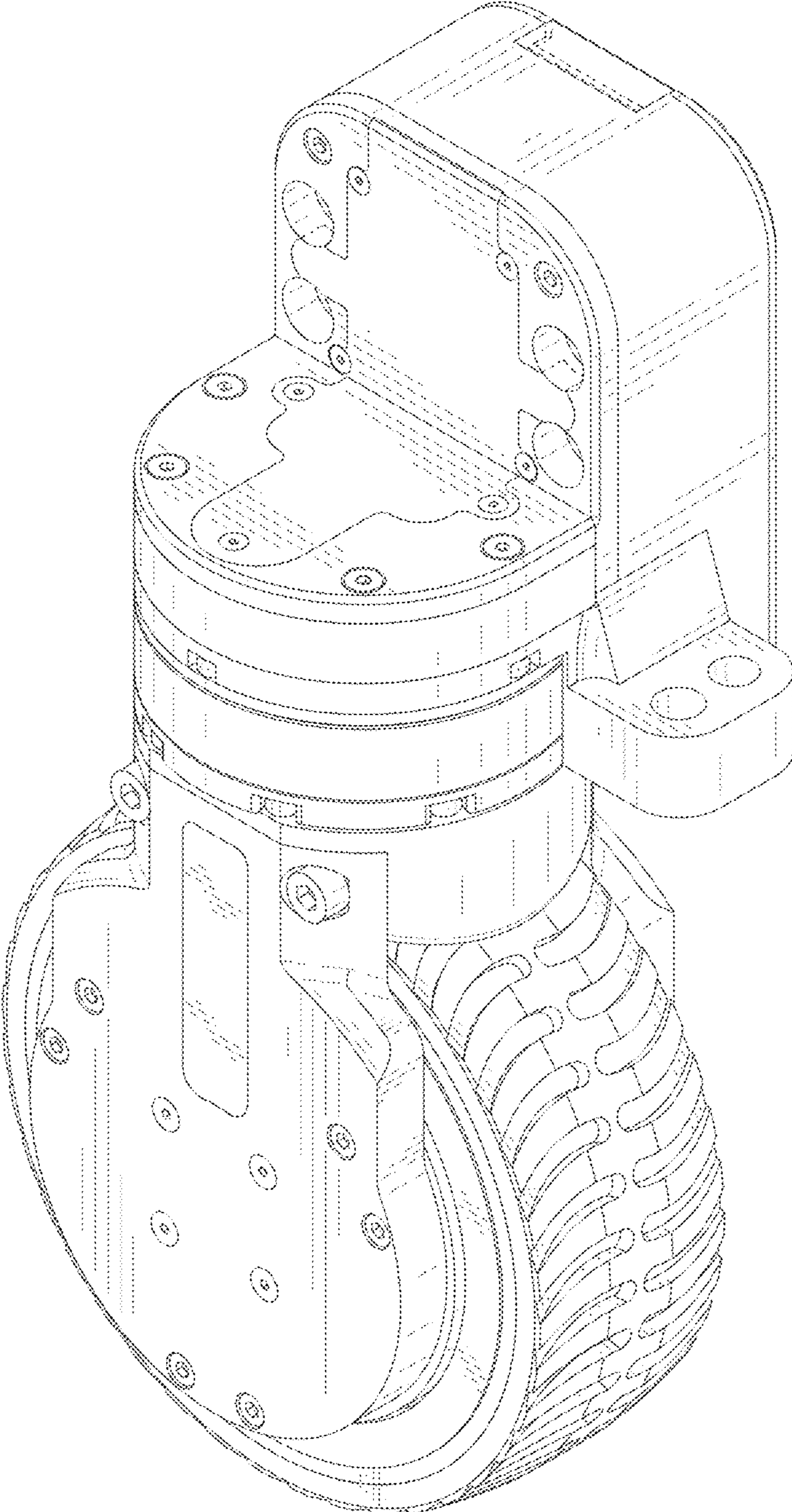
- 1. Robot caster
- 1.1 : Perspective
- 1.2 : Perspective
- 1.3 : Front
- 1.4 : Back
- 1.5 : Left
- 1.6 : Right
- 1.7 : Top
- 1.8 : Bottom

A robot caster is applied to a walking end of a robot, a foot walking of a robot, etc.; it can be used in the fields of service robots, medical robots and industrial robots; the broken lines in the drawings depict portions of the robot caster that form no part of the claimed design.

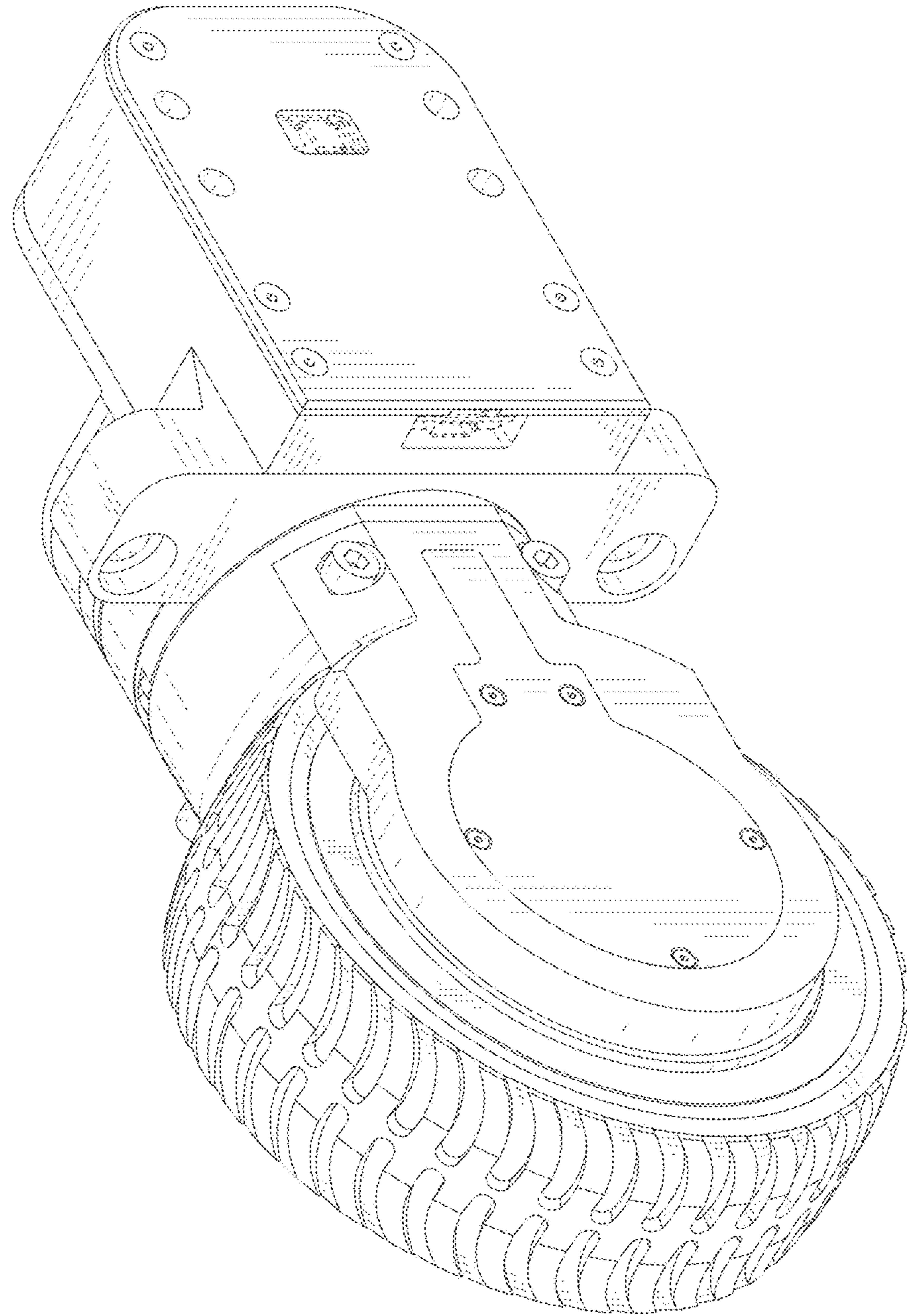
**1 Claim, 8 Drawing Sheets**



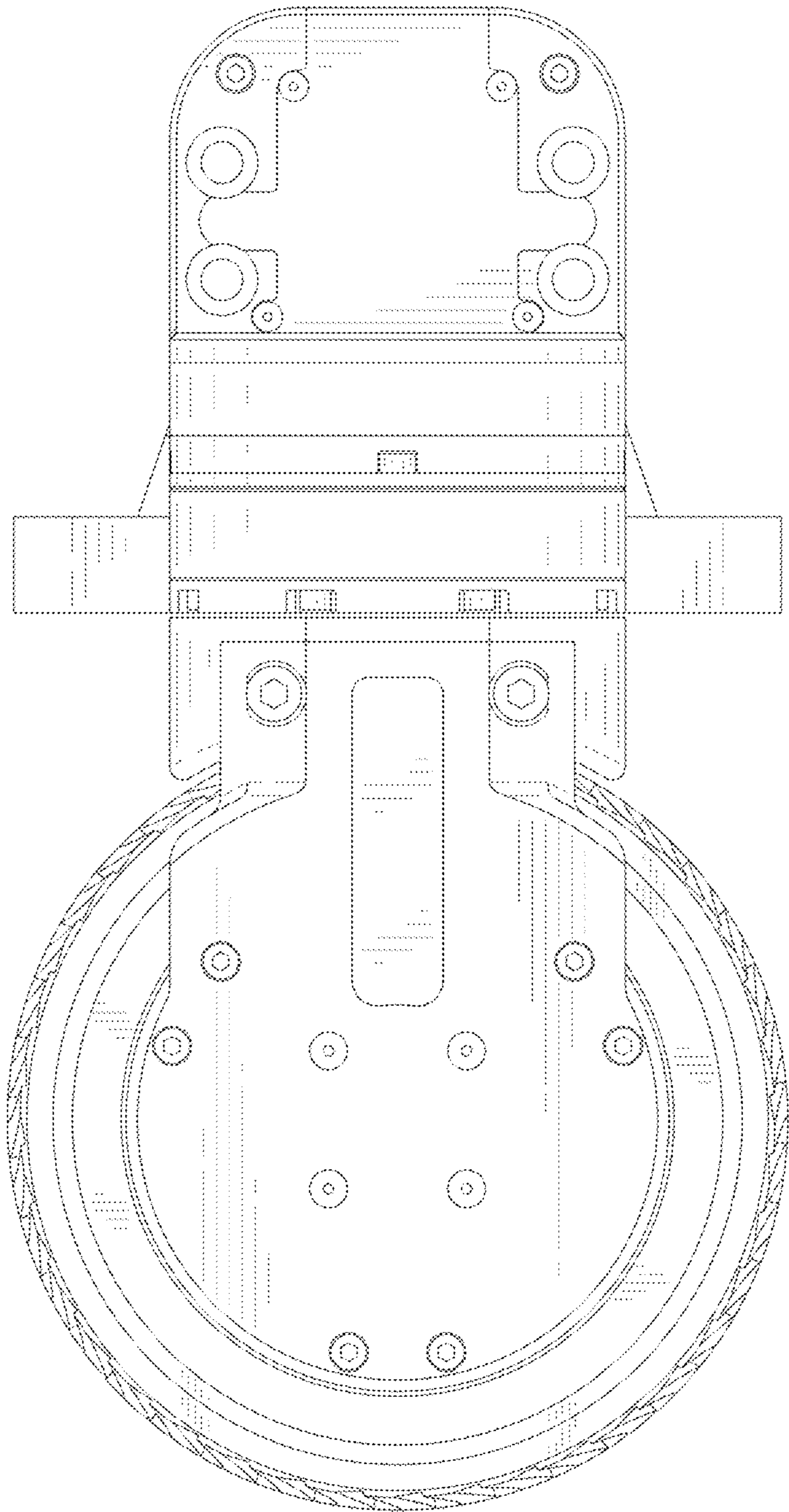
1.1



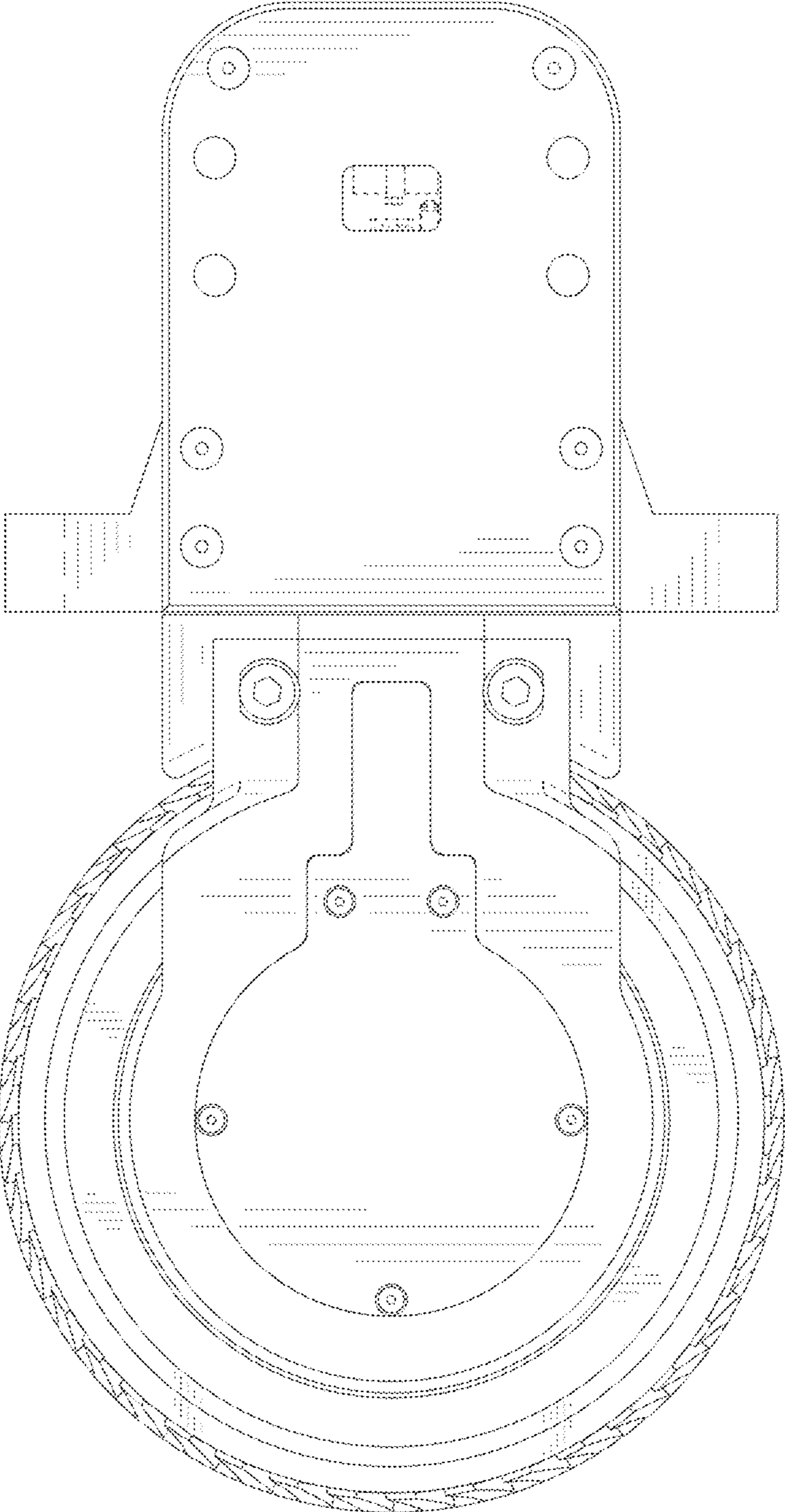
1.2



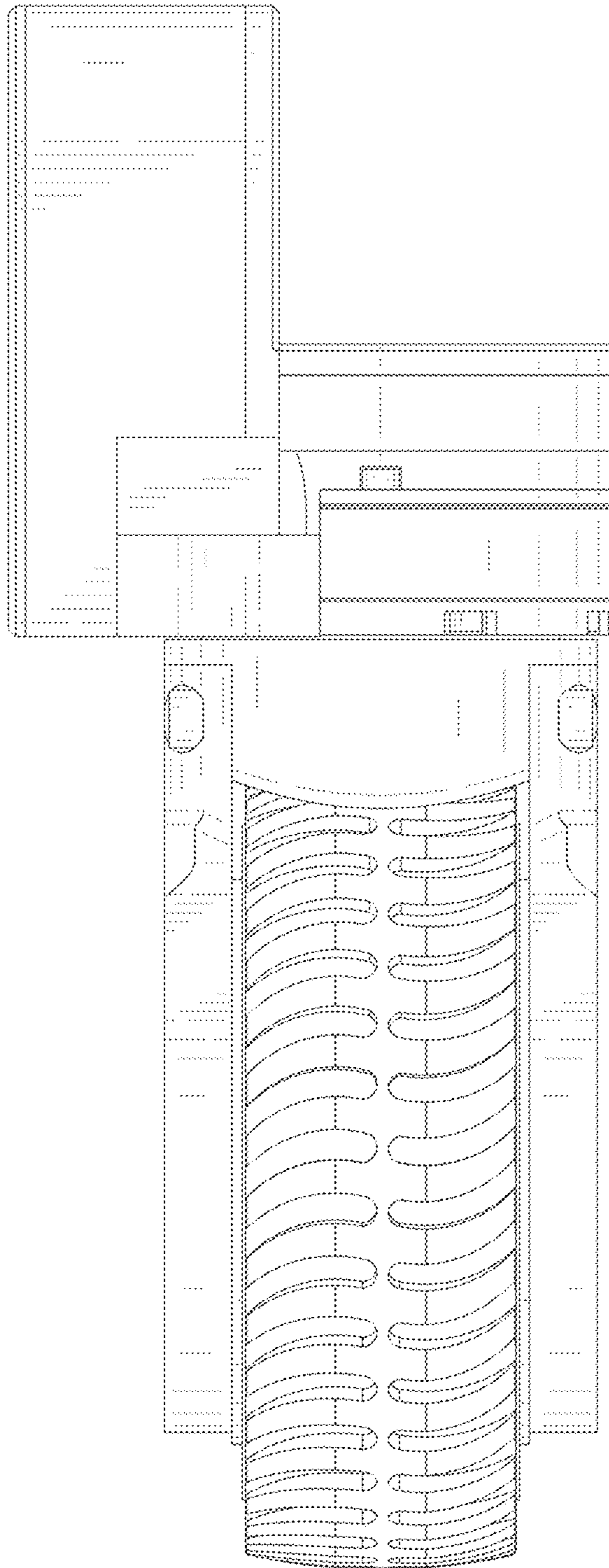
1.3



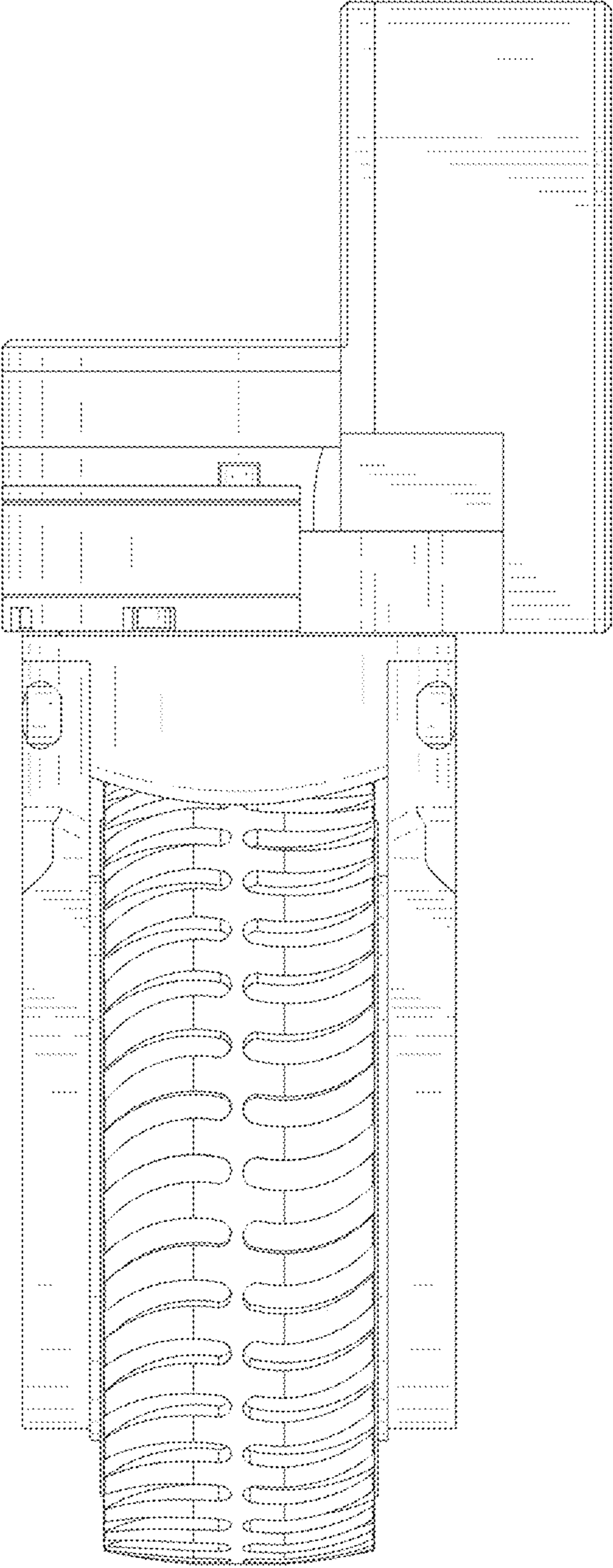
1.4



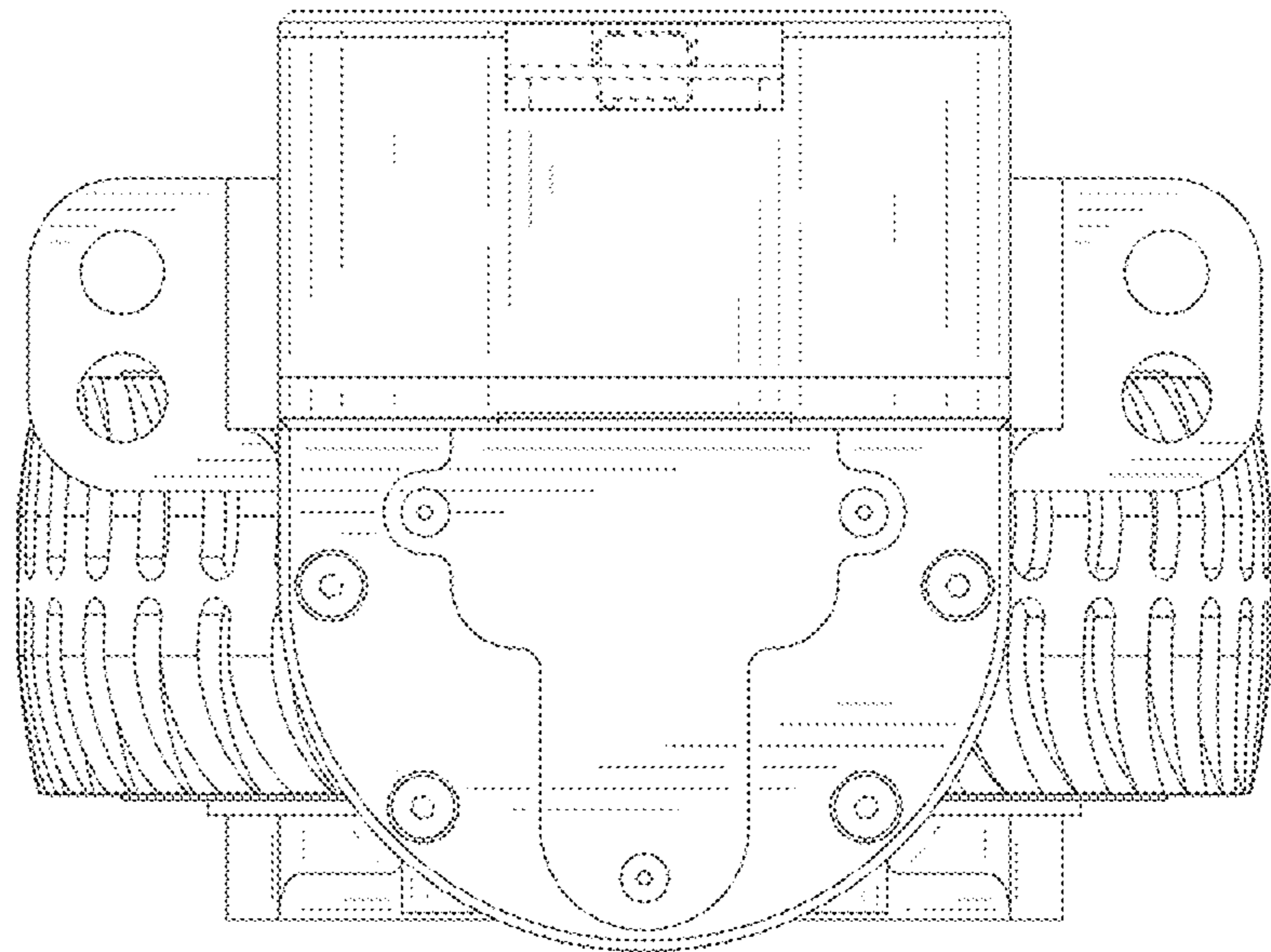
1.5



1.6



1.7





1.8

