



US00D974433S

(12) **United States Design Patent**
Cho et al.

(10) **Patent No.:** **US D974,433 S**
(45) **Date of Patent:** **** Jan. 3, 2023**

(54) **SERVICE ROBOT**
(71) Applicant: **Samsung Electronics Co., Ltd.**,
Suwon-si (KR)
(72) Inventors: **Yonghee Cho**, Suwon-si (KR); **Jiwoong Hwang**, Suwon-si (KR)
(73) Assignee: **SAMSUNG ELECTRONICS CO., LTD.**, Gyeonggi-Do (KR)
(**) Term: **15 Years**

D869,533 S * 12/2019 Kim A63H 11/00
D15/199
D870,787 S * 12/2019 Kim D15/199
D871,474 S * 12/2019 Kolb D15/199
D879,174 S * 3/2020 Kammermeier D15/199
10,576,617 B1 * 3/2020 Asada B25J 11/008
D881,961 S * 4/2020 Bergeron D15/199
D883,353 S * 5/2020 Zhang D15/199
D883,354 S * 5/2020 Jafarzadeh D15/199
D884,043 S * 5/2020 Song D15/199
D888,790 S * 6/2020 Yao D15/199
D908,151 S * 1/2021 Song D15/199
D908,152 S * 1/2021 Cacioppo D15/199
D908,153 S * 1/2021 Cacioppo D15/199

(Continued)

(21) Appl. No.: **29/786,101**

(22) Filed: **May 28, 2021**

(30) **Foreign Application Priority Data**

Nov. 30, 2020 (KR) 30-2020-0058477

(51) **LOC (14) Cl.** **15-99**

(52) **U.S. Cl.**
USPC **D15/199**

(58) **Field of Classification Search**
USPC D7/605, 606, 629; D12/14, 86, 88, 90,
D12/91; D15/199; D21/578-583, 621;
D34/34
CPC B25J 5/007; B25J 11/008; B60G 5/01;
B60G 2300/07; Y10S 901/01
See application file for complete search history.

(56) **References Cited**

U.S. PATENT DOCUMENTS

D620,511 S * 7/2010 Publ D23/207
D644,256 S * 8/2011 Kitano D15/199
D700,923 S * 3/2014 Lin D15/199
D821,265 S * 6/2018 Mäkelä D3/271.12
D822,739 S * 7/2018 Kato D15/199
D826,302 S * 8/2018 Tsukamoto D15/199
D840,619 S * 2/2019 Kim A47J 37/0713
D15/199

FOREIGN PATENT DOCUMENTS

CN 305671075 3/2020
CN 305775584 5/2020

(Continued)

Primary Examiner — Patricia A Palasik
(74) *Attorney, Agent, or Firm* — Cantor Colburn LLP

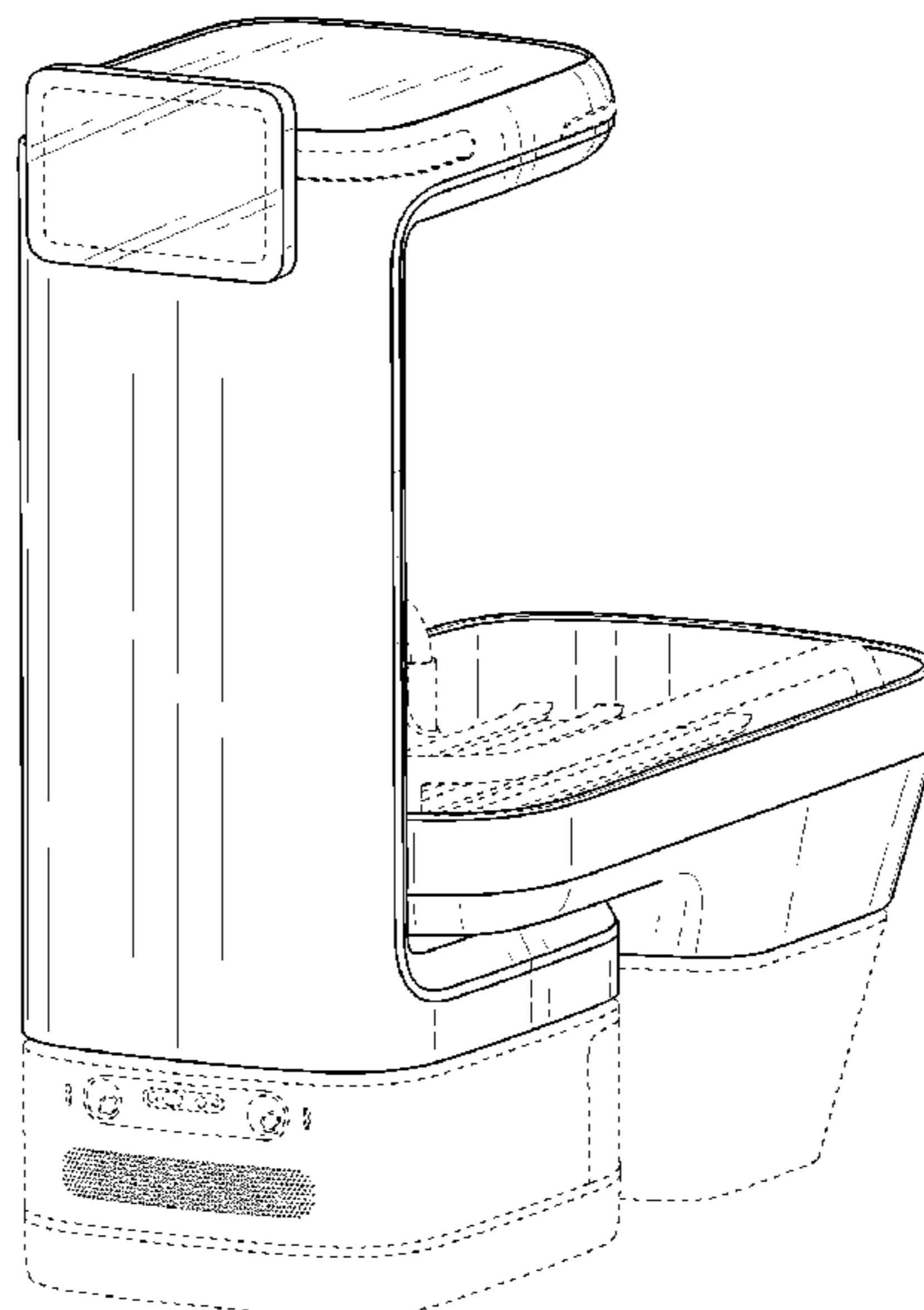
(57) **CLAIM**

The ornamental design for a service robot, as shown and described.

DESCRIPTION

FIG. 1 is a perspective view of a service robot, showing our new design;
FIG. 2 is a front view thereof;
FIG. 3 is a rear view thereof;
FIG. 4 is a left-side view thereof;
FIG. 5 is a right-side view thereof;
FIG. 6 is a top view thereof;
FIG. 7 is a bottom view thereof; and,
FIG. 8 is another perspective view thereof.
The broken lines depicting portions of the service robot form no part of the claimed design.

1 Claim, 8 Drawing Sheets



(56)

References Cited

U.S. PATENT DOCUMENTS

D909,441	S *	2/2021	Zhao	D15/199
D909,442	S *	2/2021	Zhao	D15/199
D915,486	S *	4/2021	Gidwell	D15/199
D918,978	S *	5/2021	Li	D15/199
D919,687	S *	5/2021	Song	D15/199
D921,083	S *	6/2021	Hernandez	D15/199
D922,465	S *	6/2021	Lee	B25J 11/00 D15/199
D924,956	S *	7/2021	Pajevic	D15/199
D931,921	S *	9/2021	Haddadin	D15/199
D934,932	S *	11/2021	Han	D15/199
D934,933	S *	11/2021	Cho	D15/199
D934,934	S *	11/2021	Park	D15/199
D939,004	S *	12/2021	Gidwell	D15/199
D939,602	S *	12/2021	Wang	B25J 11/00 D15/199
D944,305	S *	2/2022	Liu	D15/199
D947,915	S *	4/2022	Li	D15/199
2005/0216126	A1 *	9/2005	Koselka	B25J 5/007 700/259
2016/0114488	A1 *	4/2016	Mascorro Medina	B25J 11/008 901/1

FOREIGN PATENT DOCUMENTS

CN	305927623	7/2020
CN	305939363	7/2020
KR	301067353	7/2020
WO	WO-2022019376	A1 * 1/2022

* cited by examiner

FIG. 1

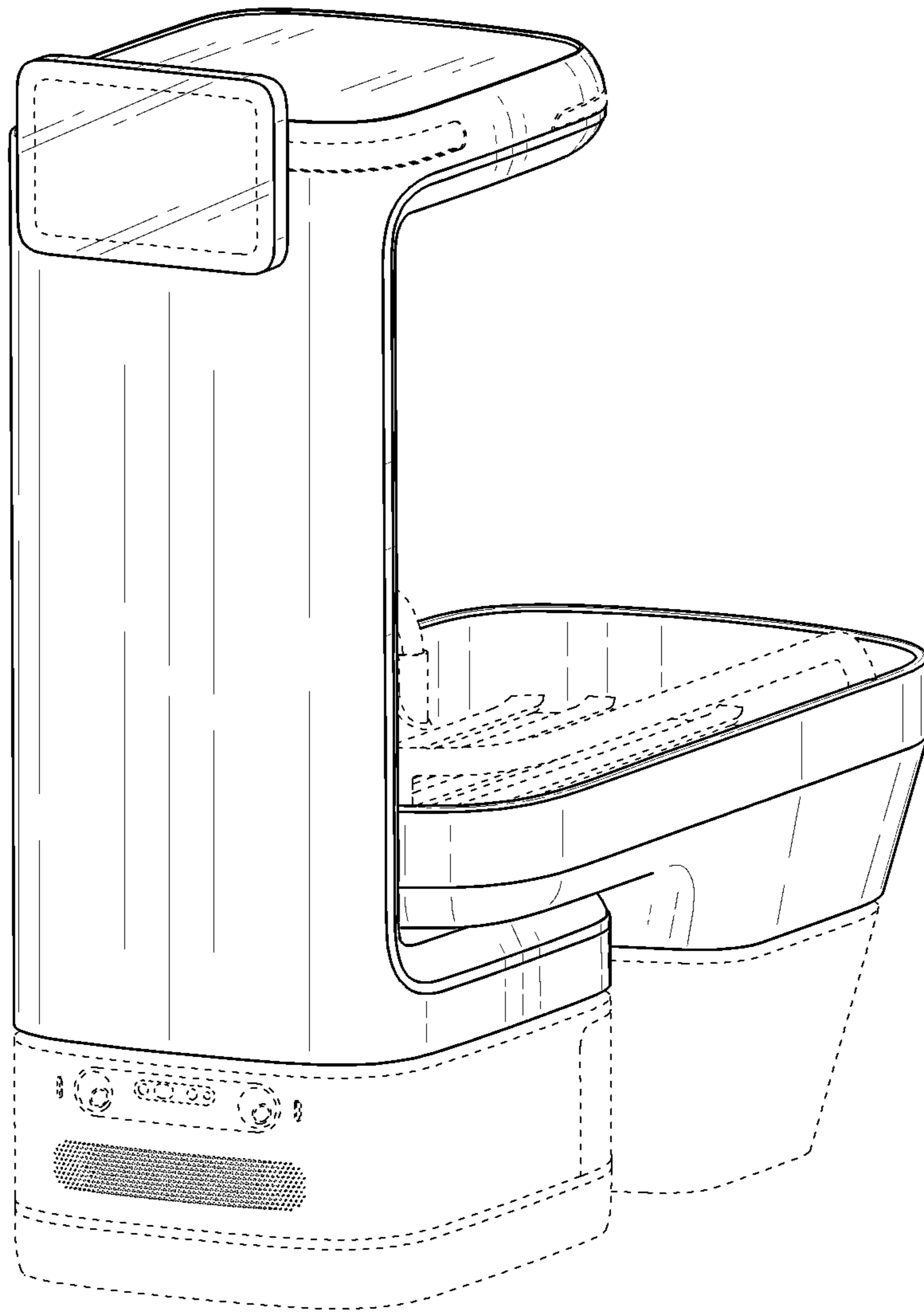


FIG. 2

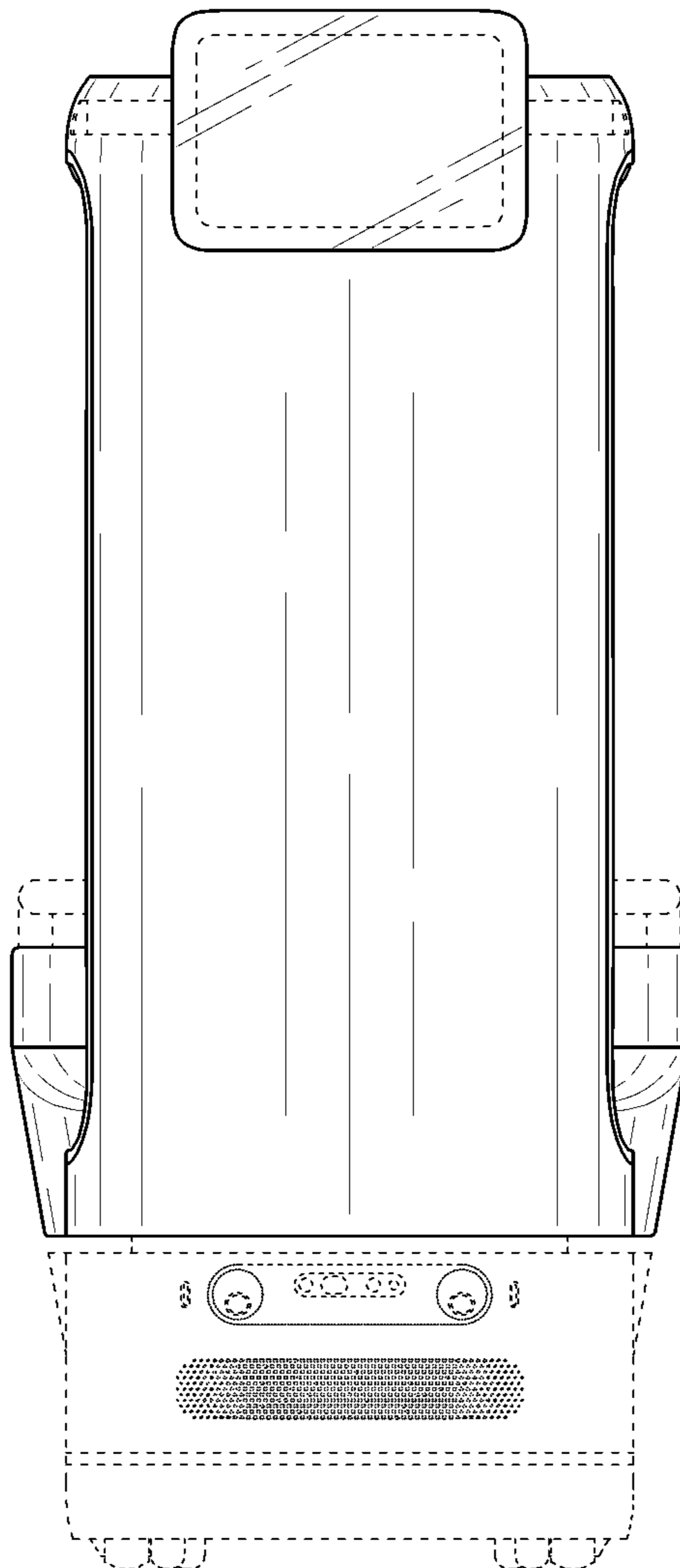


FIG. 3

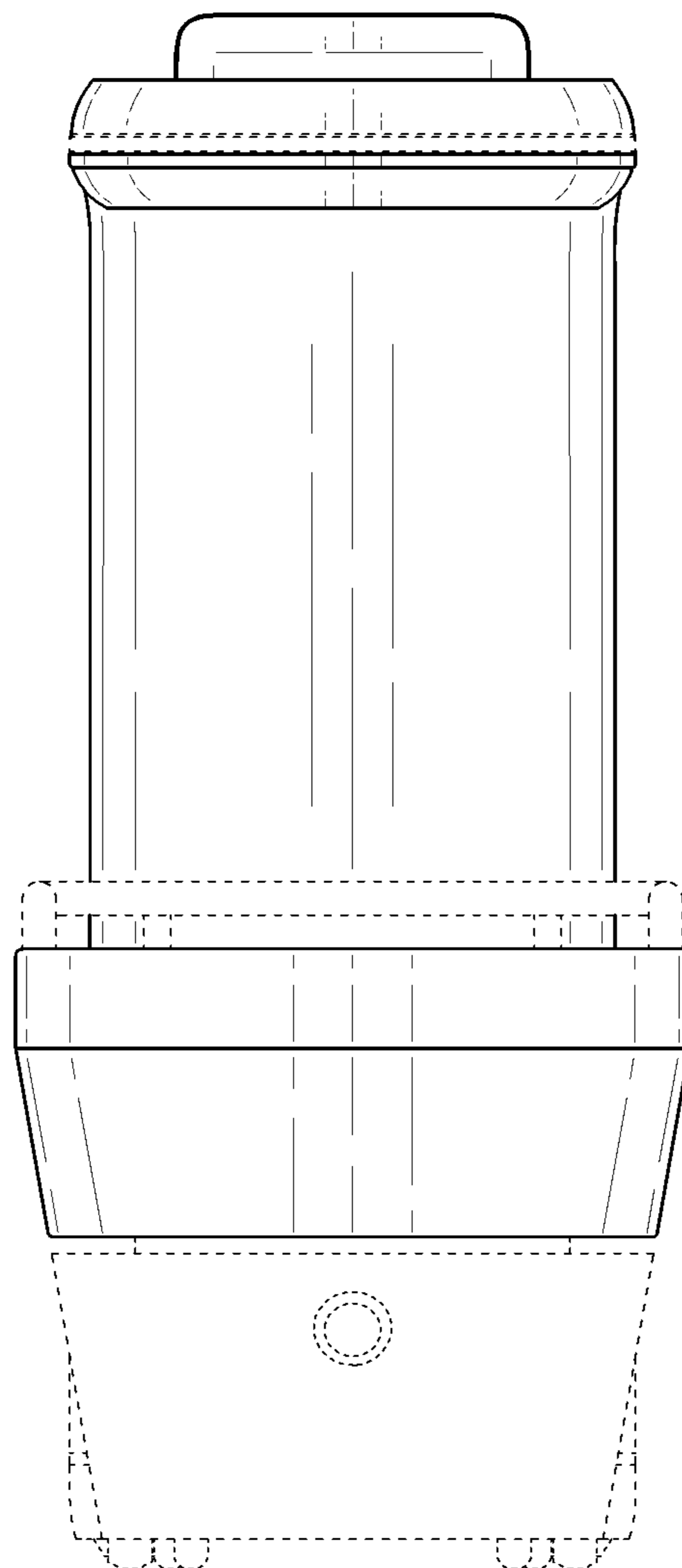


FIG. 4

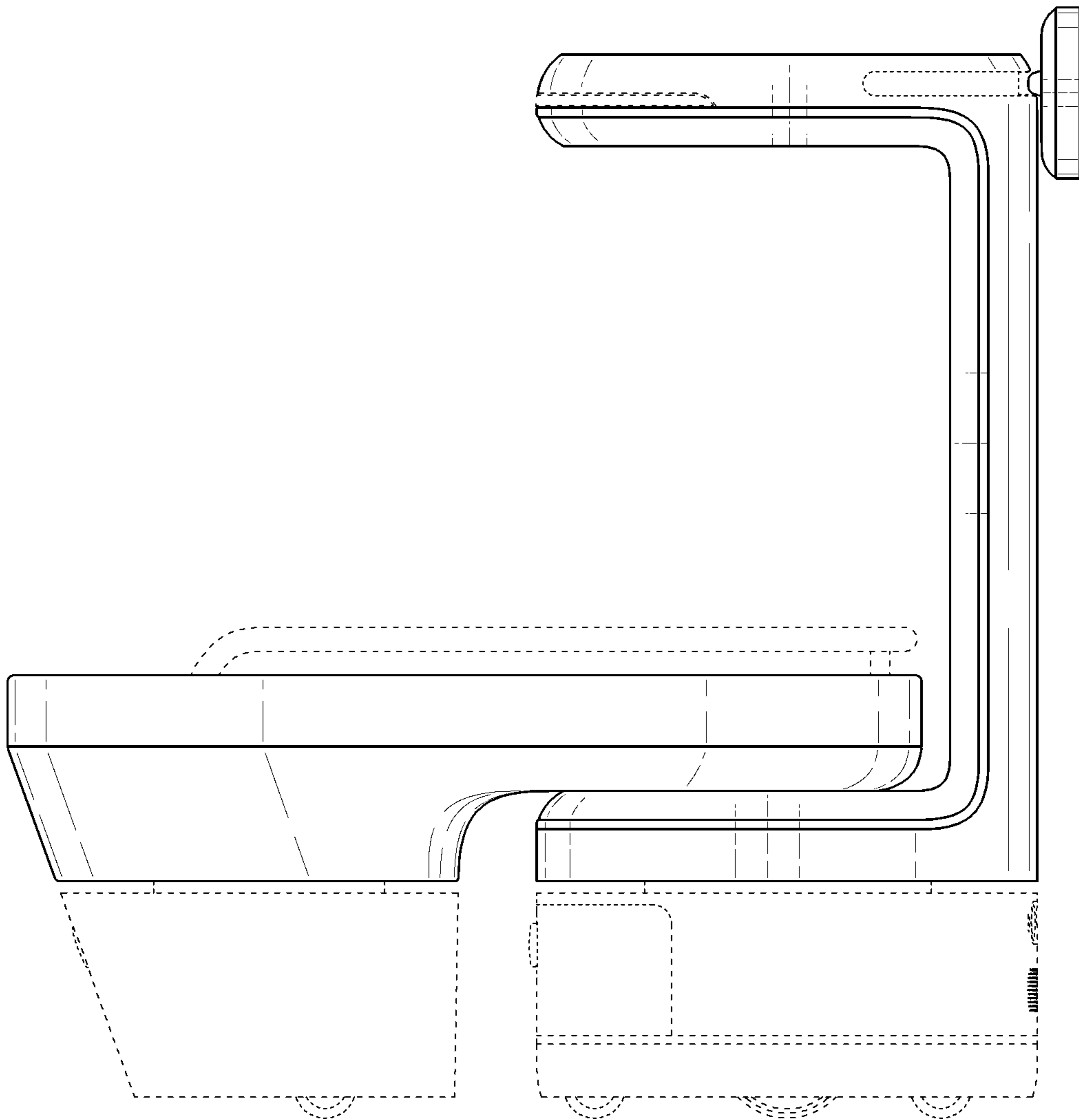


FIG. 5

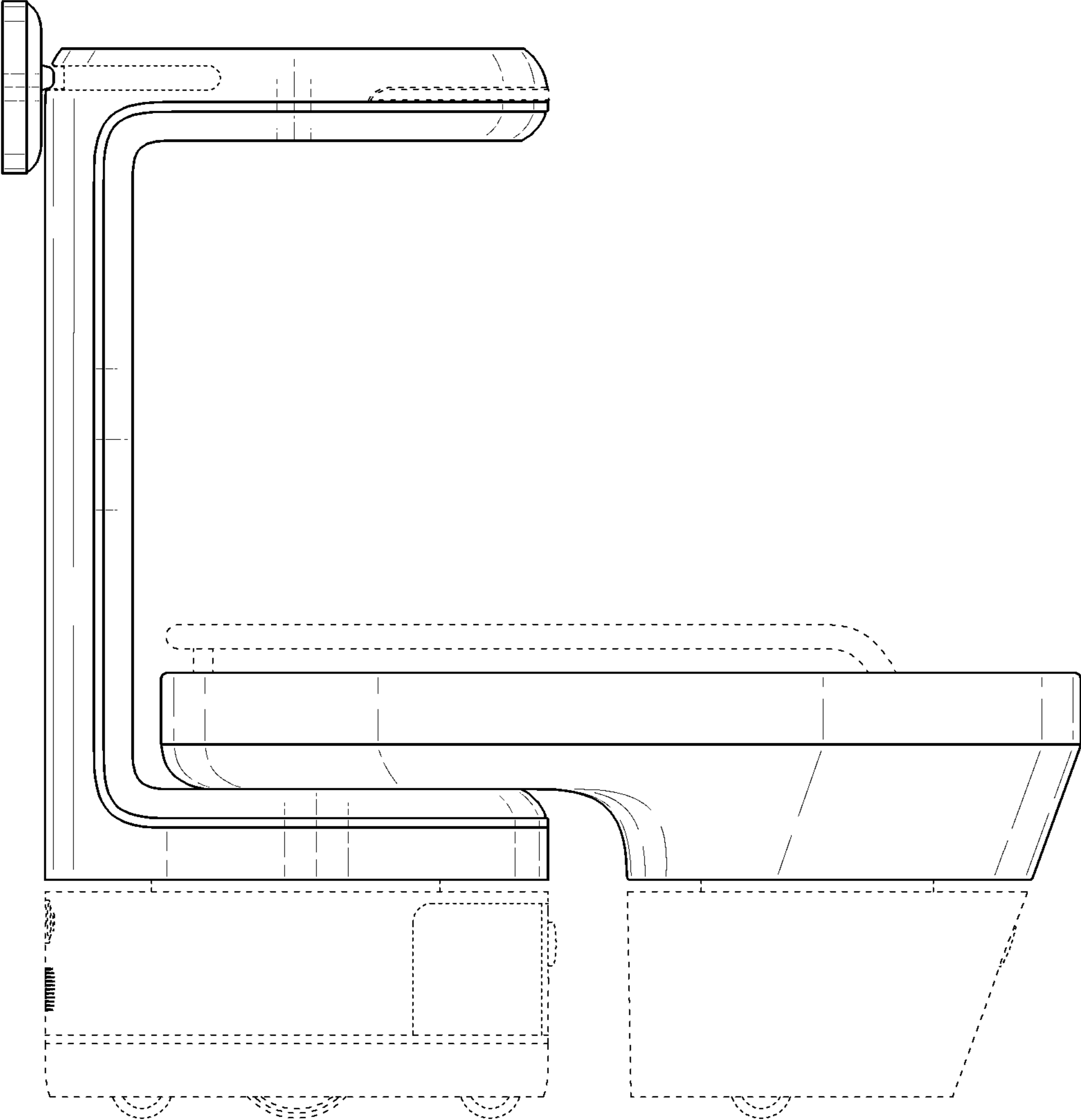


FIG. 6

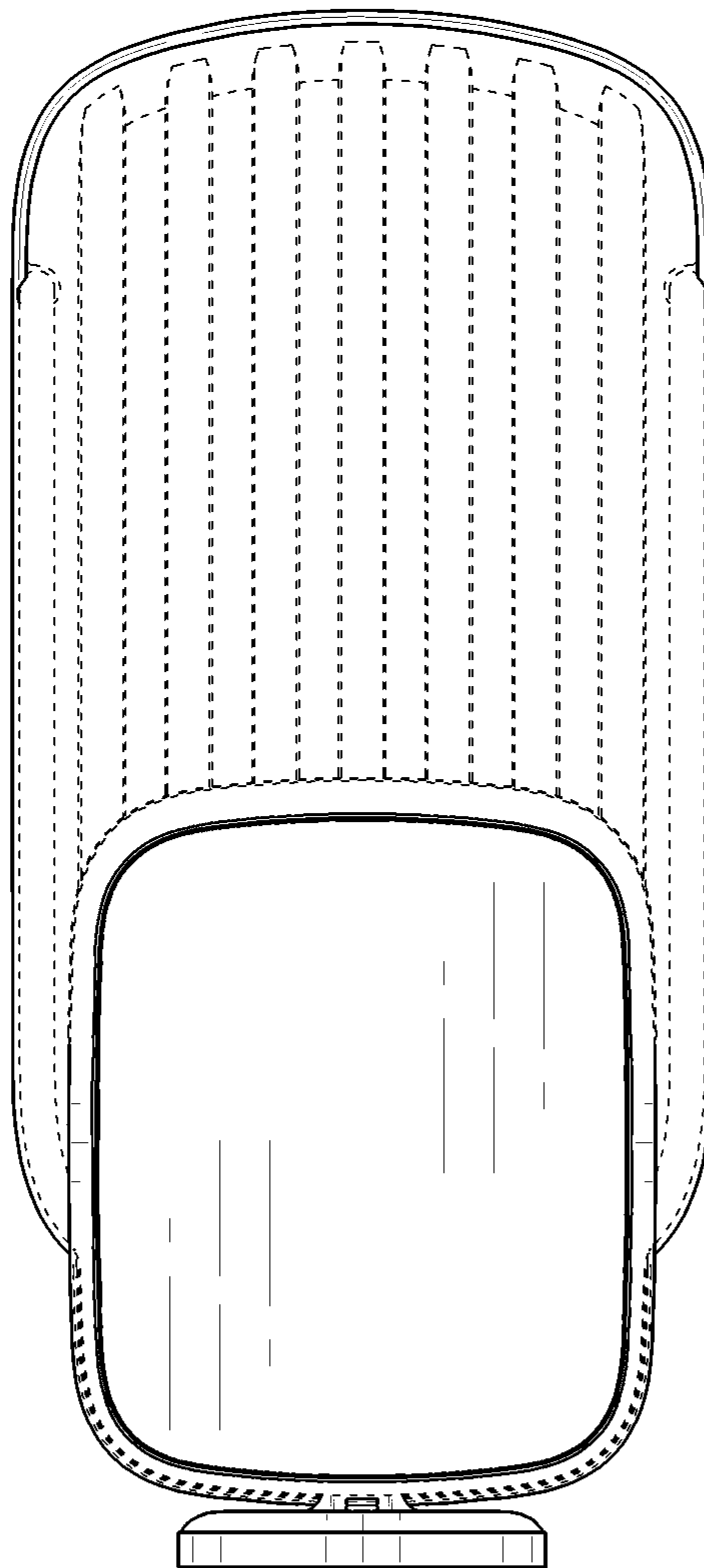


FIG. 7

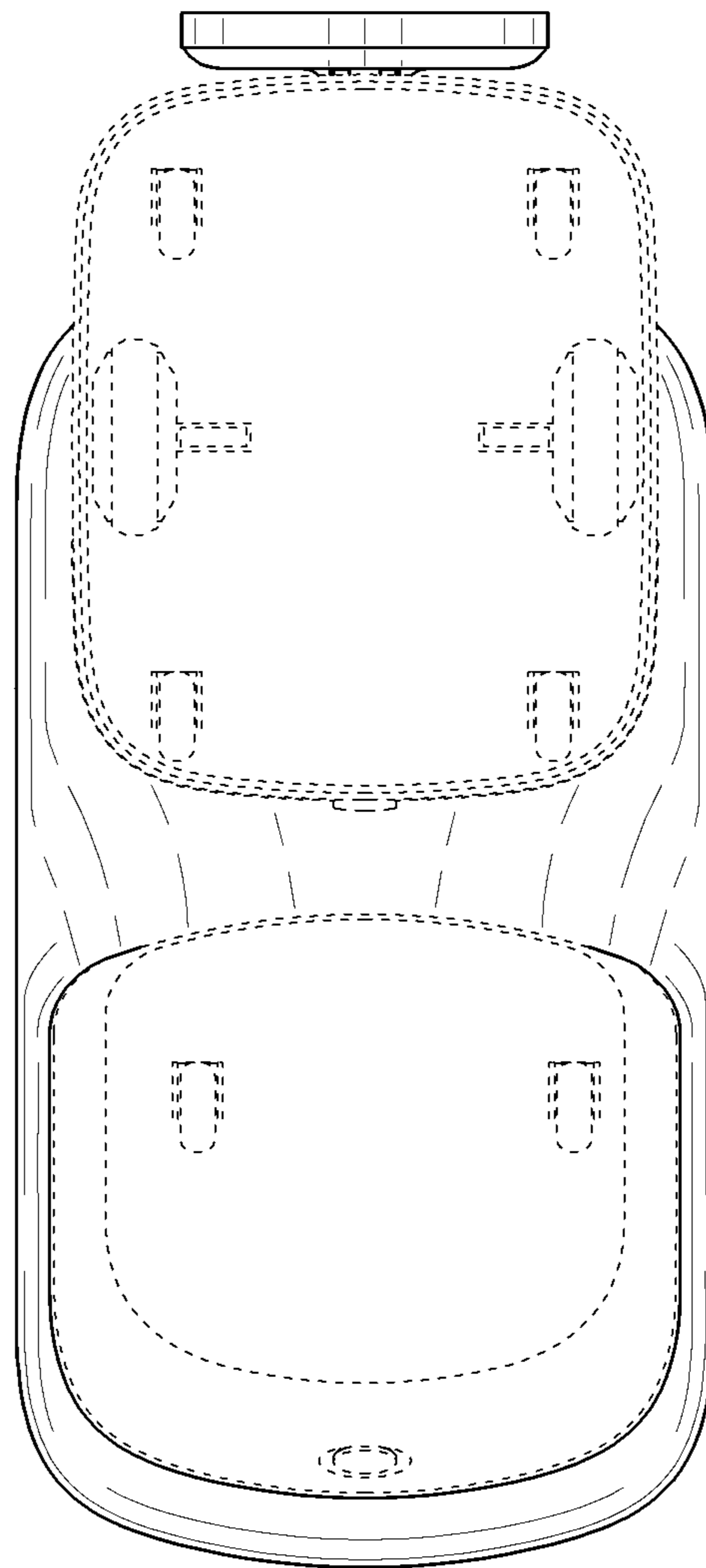


FIG. 8

