



US00D974432S

(12) **United States Design Patent** (10) **Patent No.:** **US D974,432 S**  
**Hwang et al.** (45) **Date of Patent:** **\*\* Jan. 3, 2023**

(54) **SERVICE ROBOT**  
(71) Applicant: **SAMSUNG ELECTRONICS CO., LTD.**, Suwon-si (KR)  
(72) Inventors: **Jiwoong Hwang**, Suwon-si (KR); **Yonghee Cho**, Suwon-si (KR)  
(73) Assignee: **SAMSUNG ELECTRONICS CO., LTD.**, Gyeonggi-Do (KR)

D870,787 S \* 12/2019 Kim ..... D15/199  
D871,474 S \* 12/2019 Kolb ..... D15/199  
D879,174 S \* 3/2020 Kammermeier ..... D15/199  
10,576,617 B1 \* 3/2020 Asada ..... B25J 11/008  
D881,961 S \* 4/2020 Bergeron ..... D15/199  
D883,353 S \* 5/2020 Zhang ..... D15/199  
D883,354 S \* 5/2020 Jafarzadeh ..... D15/199

(Continued)

(\*\*) Term: **15 Years**  
(21) Appl. No.: **29/786,078**

**FOREIGN PATENT DOCUMENTS**

KR 301007597 S 5/2019  
WO DM203897 4/2019  
WO WO-2022019376 A1 \* 1/2022

(22) Filed: **May 28, 2021**  
(30) **Foreign Application Priority Data**

**OTHER PUBLICATIONS**

Fellow Robots. NAVII. Published 2016 [online]. pp. 1-3 [retrieved on May 26, 2021]. Retrieved from the Internet: <URL: https://iotnews.jp/archives/12172.

Dec. 1, 2020 (KR) ..... 30-2020-0058803

(Continued)

(51) **LOC (14) Cl.** ..... **15-99**  
(52) **U.S. Cl.**  
USPC ..... **D15/199**  
(58) **Field of Classification Search**  
USPC ..... D7/605, 606, 629; D12/14, 86, 88, 90, D12/91; D15/199; D21/578-583, 621; D34/34  
CPC ..... B25J 5/007; B25J 11/008; B60G 5/01; B60G 2300/07; Y10S 901/01  
See application file for complete search history.

*Primary Examiner* — Patricia A Palasik  
(74) *Attorney, Agent, or Firm* — Cantor Colburn LLP

(56) **References Cited**

**CLAIM**

The ornamental design for a service robot, as shown and described.

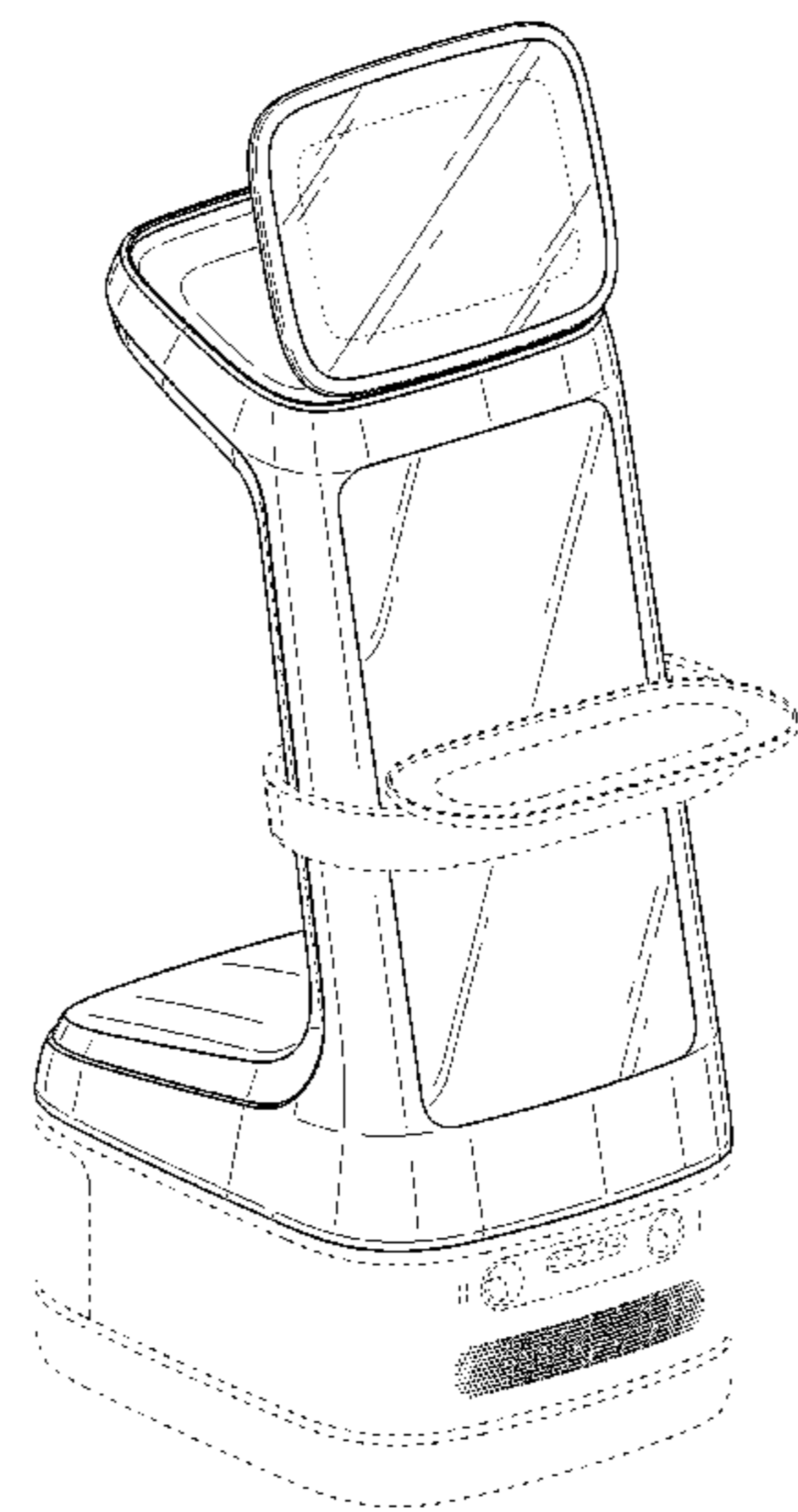
**U.S. PATENT DOCUMENTS**

**DESCRIPTION**

D620,511 S \* 7/2010 Publ ..... D23/207  
D644,256 S \* 8/2011 Kitano ..... D15/199  
D700,923 S \* 3/2014 Lin ..... D15/199  
D821,265 S \* 6/2018 Mäkelä ..... D3/271.12  
D822,739 S \* 7/2018 Kato ..... D15/199  
D826,302 S \* 8/2018 Tsukamoto ..... D15/199  
D840,619 S \* 2/2019 Kim ..... A47J 37/0713  
D15/199  
D869,533 S \* 12/2019 Kim ..... A63H 11/00  
D15/199

FIG. 1 is a front perspective view of a service robot, showing our new design;  
FIG. 2 is a front view thereof;  
FIG. 3 is a rear view thereof;  
FIG. 4 is a left-side view thereof;  
FIG. 5 is a right-side view thereof;  
FIG. 6 is a top view thereof; and,  
FIG. 7 is a bottom view thereof.  
The broken lines depicting portions of the service robot form no part of the claimed design.

**1 Claim, 7 Drawing Sheets**



(56)

References Cited

U.S. PATENT DOCUMENTS

D884,043 S \* 5/2020 Song ..... D15/199  
 D888,790 S \* 6/2020 Yao ..... D15/199  
 D908,151 S \* 1/2021 Song ..... D15/199  
 D908,152 S \* 1/2021 Cacioppo ..... D15/199  
 D908,153 S \* 1/2021 Cacioppo ..... D15/199  
 D909,441 S \* 2/2021 Zhao ..... D15/199  
 D909,442 S \* 2/2021 Zhao ..... D15/199  
 D915,486 S \* 4/2021 Gidwell ..... D15/199  
 D918,978 S \* 5/2021 Li ..... D15/199  
 D919,687 S \* 5/2021 Song ..... D15/199  
 D921,083 S \* 6/2021 Hernandez ..... D15/199  
 D922,465 S \* 6/2021 Lee ..... B25J 11/00  
 D15/199  
 D924,956 S \* 7/2021 Pajevic ..... D15/199  
 D931,921 S \* 9/2021 Haddadin ..... D15/199  
 D934,932 S \* 11/2021 Han ..... D15/199  
 D934,933 S \* 11/2021 Cho ..... D15/199  
 D934,934 S \* 11/2021 Park ..... D15/199  
 D939,004 S \* 12/2021 Gidwell ..... D15/199

D939,602 S \* 12/2021 Wang ..... B25J 11/00  
 D15/199  
 D944,305 S \* 2/2022 Liu ..... D15/199  
 D947,915 S \* 4/2022 Li ..... D15/199  
 2005/0216126 A1\* 9/2005 Koselka ..... B25J 5/007  
 700/259  
 2016/0114488 A1\* 4/2016 Mascorro Medina .....  
 B25J 11/008  
 901/1

OTHER PUBLICATIONS

Meet SAM, the Robotic Concierge from Luvozo. luvozo.com. Published 2016 [online]. p. 1 of 1 [retrieved on May 26, 2021]. Retrieved from the Internet: <URL: <https://www.youtube.com/watch?v=FjYeyJYhQHw>.  
 Padbot XI—reception robot. Published 2018. [online]. p. 1 of 1 [retrieved on May 26, 2021]. Retrieved from the Internet: <URL: [https://www.youtube.com/watch?v=gPEUp\\_igxG4&feature=emb\\_logo](https://www.youtube.com/watch?v=gPEUp_igxG4&feature=emb_logo).

\* cited by examiner

FIG. 1

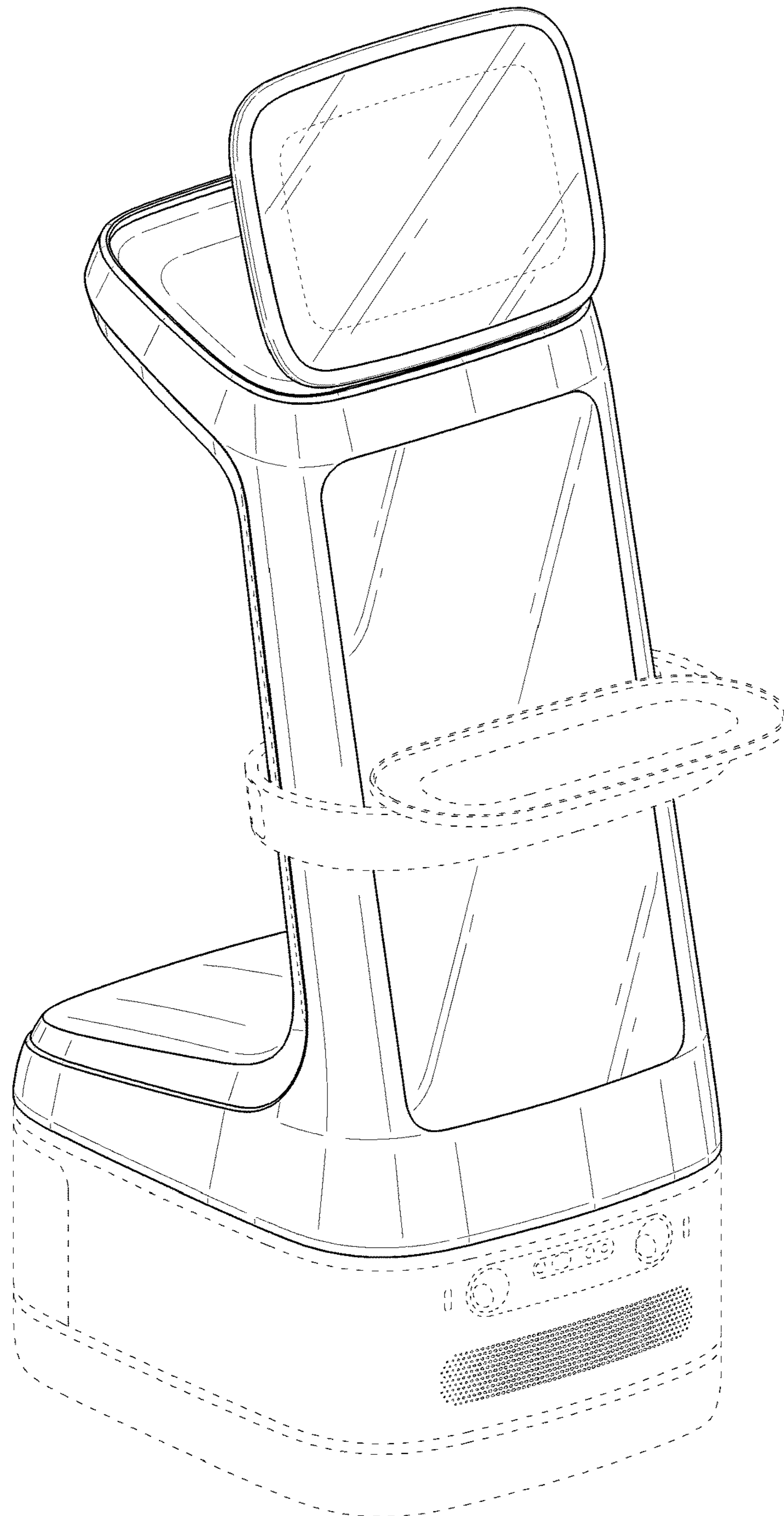


FIG. 2

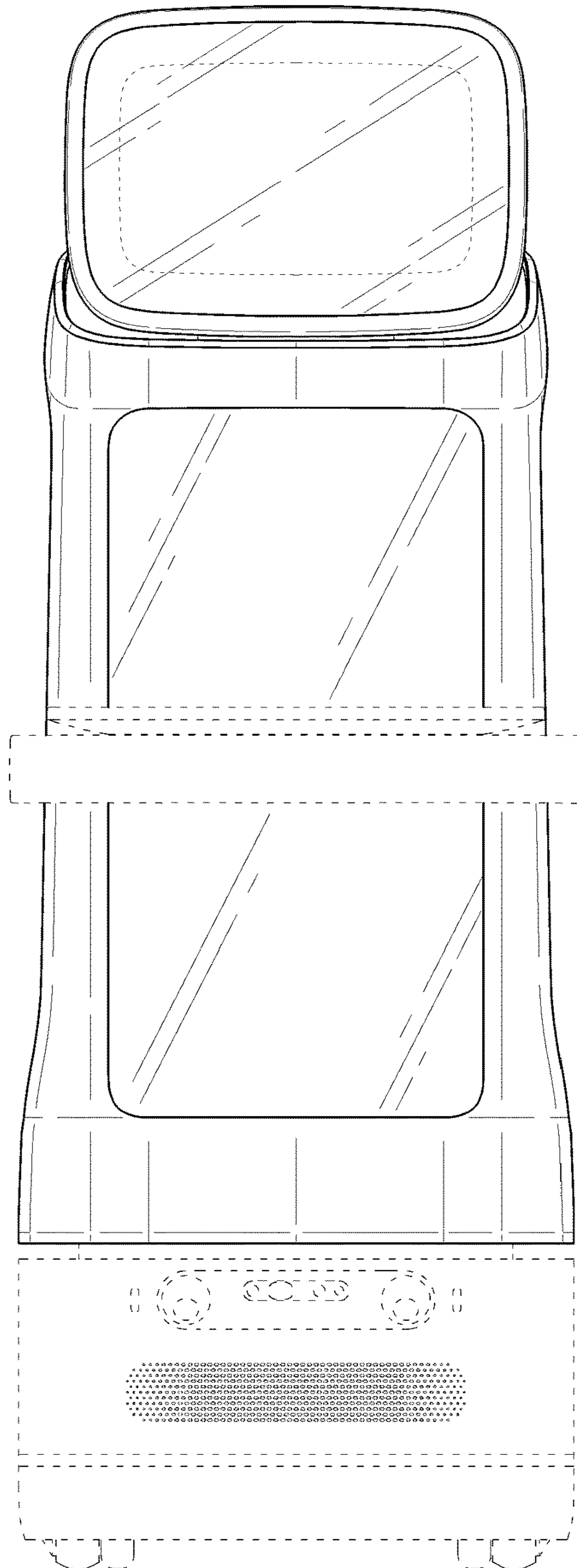


FIG. 3

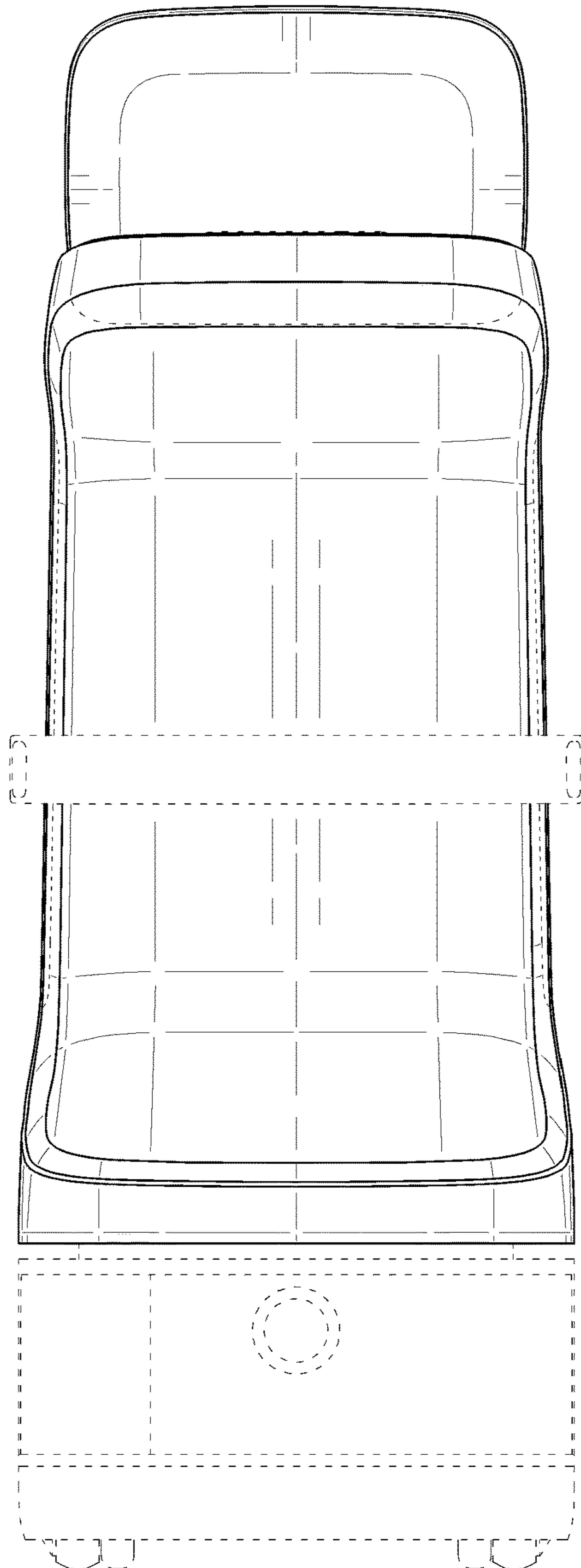


FIG. 4

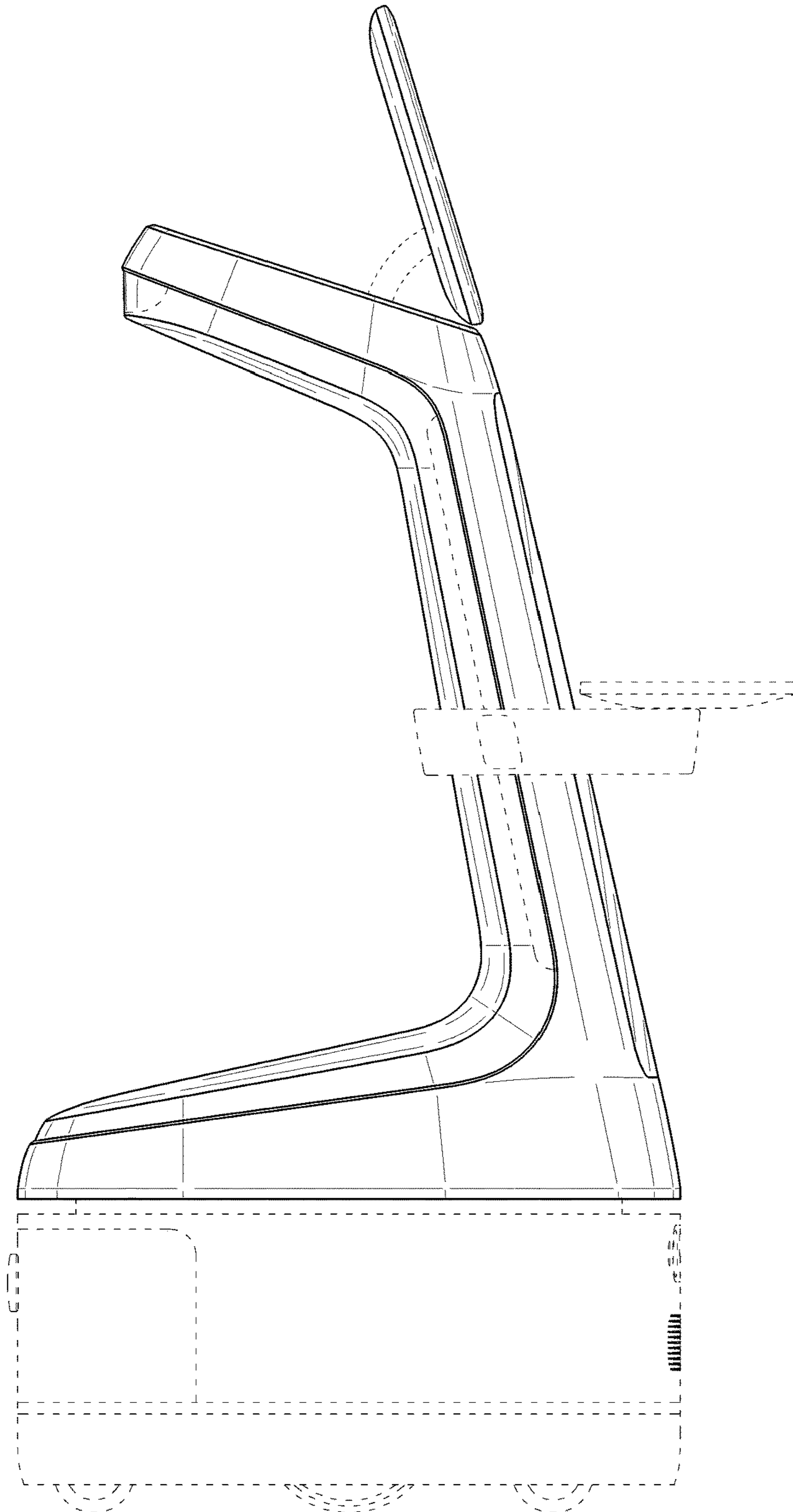


FIG. 5

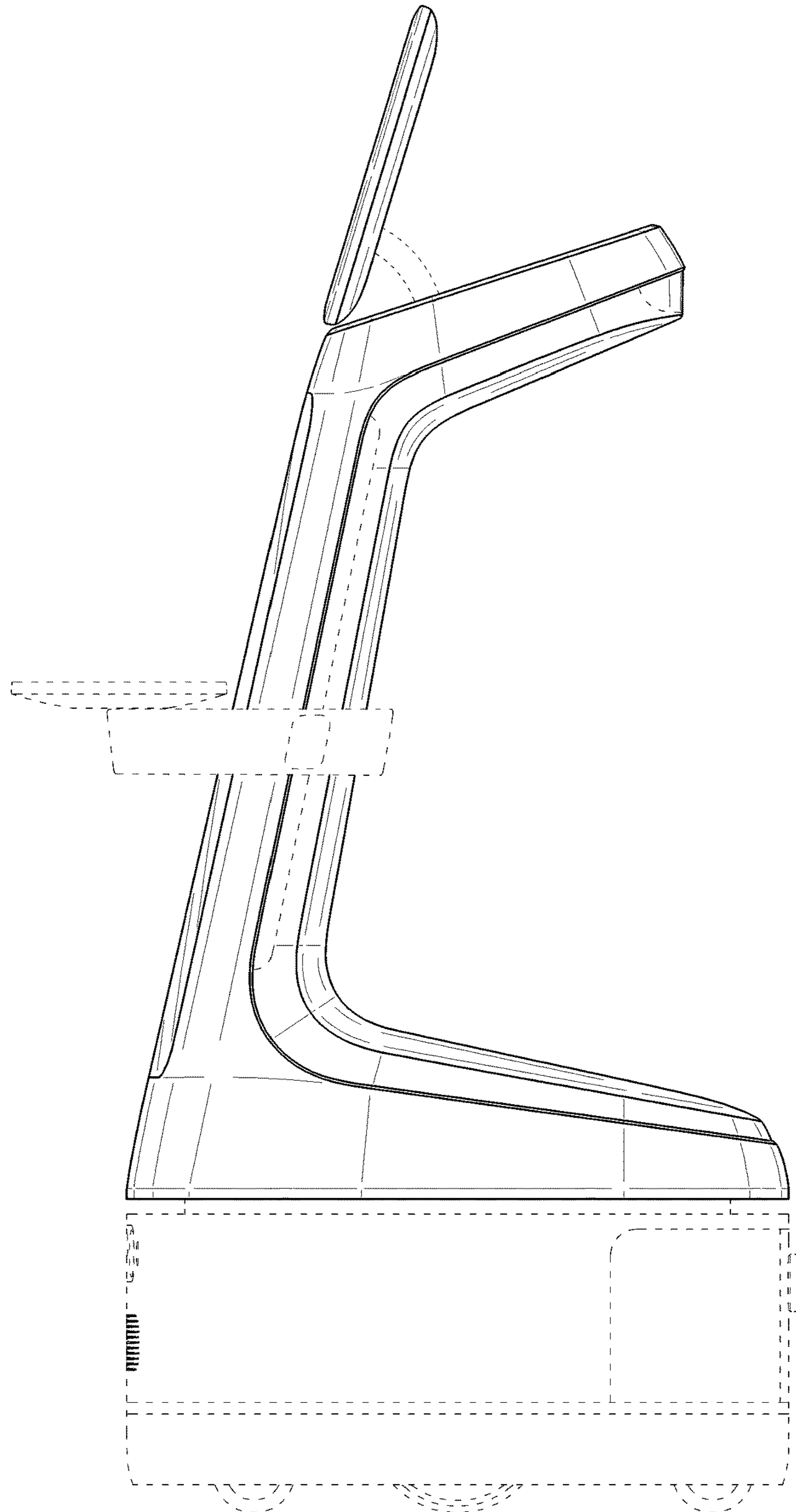


FIG. 6

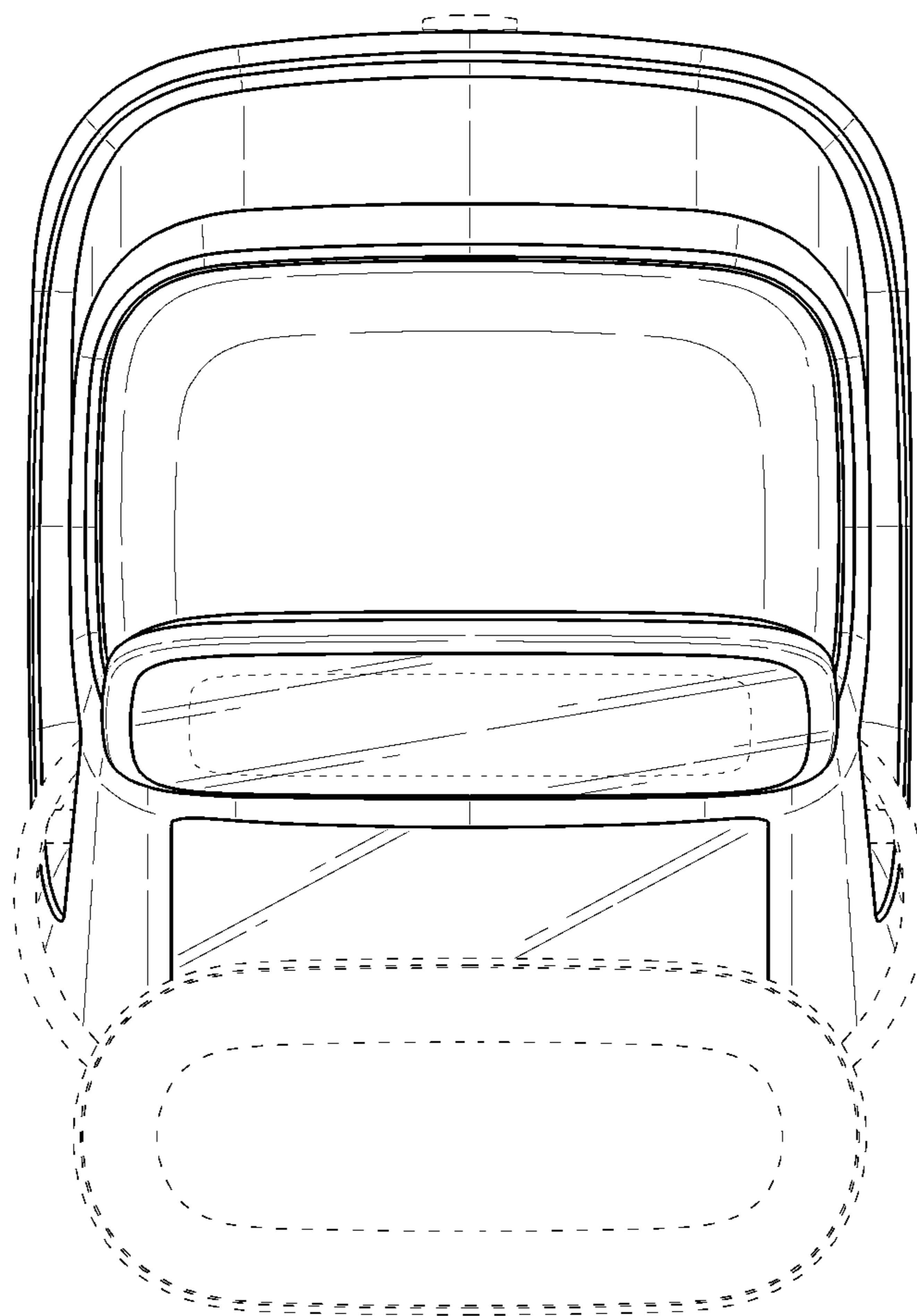




FIG. 7

