



US00D974429S

(12) **United States Design Patent**
Liao

(10) **Patent No.:** **US D974,429 S**
(45) **Date of Patent:** **** Jan. 3, 2023**

(54) **CONTAINER**
(71) Applicant: **LIH YANN INDUSTRIAL CO., LTD.,**
Taichung (TW)
(72) Inventor: **Po-Lin Liao,** Taichung (TW)
(73) Assignee: **LIH YANN INDUSTRIAL CO., LTD.,**
Taichung (TW)
(**) Term: **15 Years**

5,472,220 A * 12/1995 Stephan B62B 5/0083
280/79.5
D374,447 S * 10/1996 Brewer D15/150
D423,531 S * 4/2000 Becker D15/150
D498,487 S * 11/2004 Iwamasa D15/152
D623,198 S * 9/2010 Lai D15/150
D638,042 S * 5/2011 Liao D15/152
D661,328 S * 6/2012 Liao D15/152
D677,444 S * 3/2013 Thurmond D34/5
D683,777 S * 6/2013 Forbis D15/150
D713,435 S * 9/2014 Liao D15/152
D902,970 S * 11/2020 McCormick D15/150
D931,680 S * 9/2021 Guerin D7/354

(21) Appl. No.: **29/783,953**
(22) Filed: **May 17, 2021**
(51) **LOC (14) Cl.** **09-09**
(52) **U.S. Cl.**
USPC **D15/150**
(58) **Field of Classification Search**
USPC D15/150, 151, 152; D23/213
CPC F16N 31/00; F16N 31/02; F16N 31/002;
F16N 31/006; F01M 11/0004
See application file for complete search history.

* cited by examiner

Primary Examiner — Patricia A Palasik
(74) *Attorney, Agent, or Firm* — Muncy, Geissler, Olds & Lowe, P.C.

(57) **CLAIM**

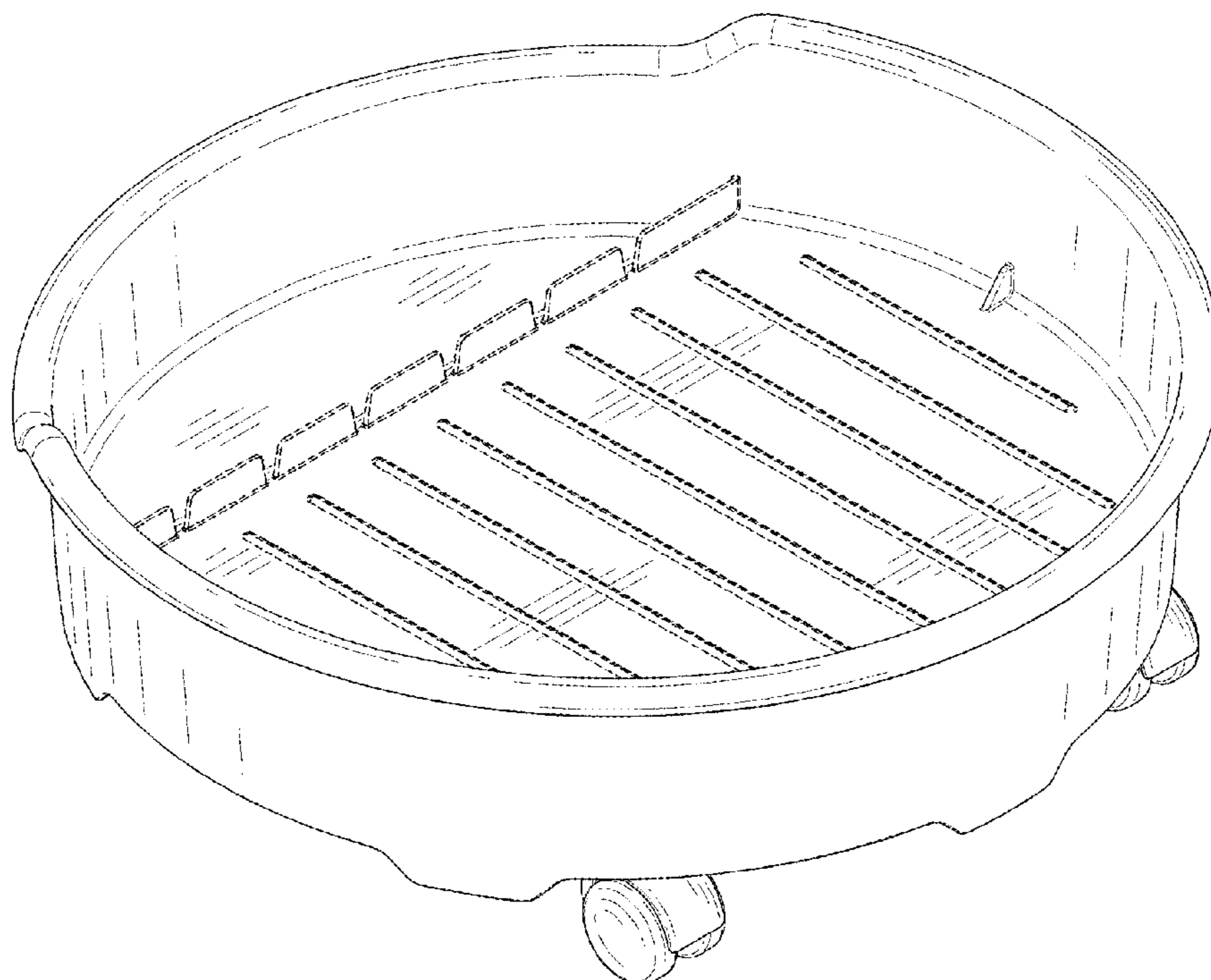
I claim the ornamental design for a container, as shown and described.

DESCRIPTION

FIG. 1 is a top, front, and right perspective view of a container showing my new design;
FIG. 2 is a front elevational view thereof;
FIG. 3 is a rear elevational view thereof;
FIG. 4 is a left side view thereof;
FIG. 5 is a right side view thereof;
FIG. 6 is a top plan view thereof;
FIG. 7 is a bottom plan view thereof; and,
FIG. 8 is a bottom, rear, and left perspective view thereof.
The broken lines in the drawings illustrate portions of the container which form no part of the claimed design.

(56) **References Cited**
U.S. PATENT DOCUMENTS
1,987,649 A * 1/1935 Wertz F16N 31/00
222/626
4,775,067 A * 10/1988 Mount B65D 25/00
280/79.5
D337,594 S * 7/1993 Strauch D15/152
D337,774 S * 7/1993 Schillinger D15/150
D343,401 S * 1/1994 Pollak D15/150
5,445,396 A * 8/1995 Sebor B62B 3/16
280/33.998

1 Claim, 6 Drawing Sheets



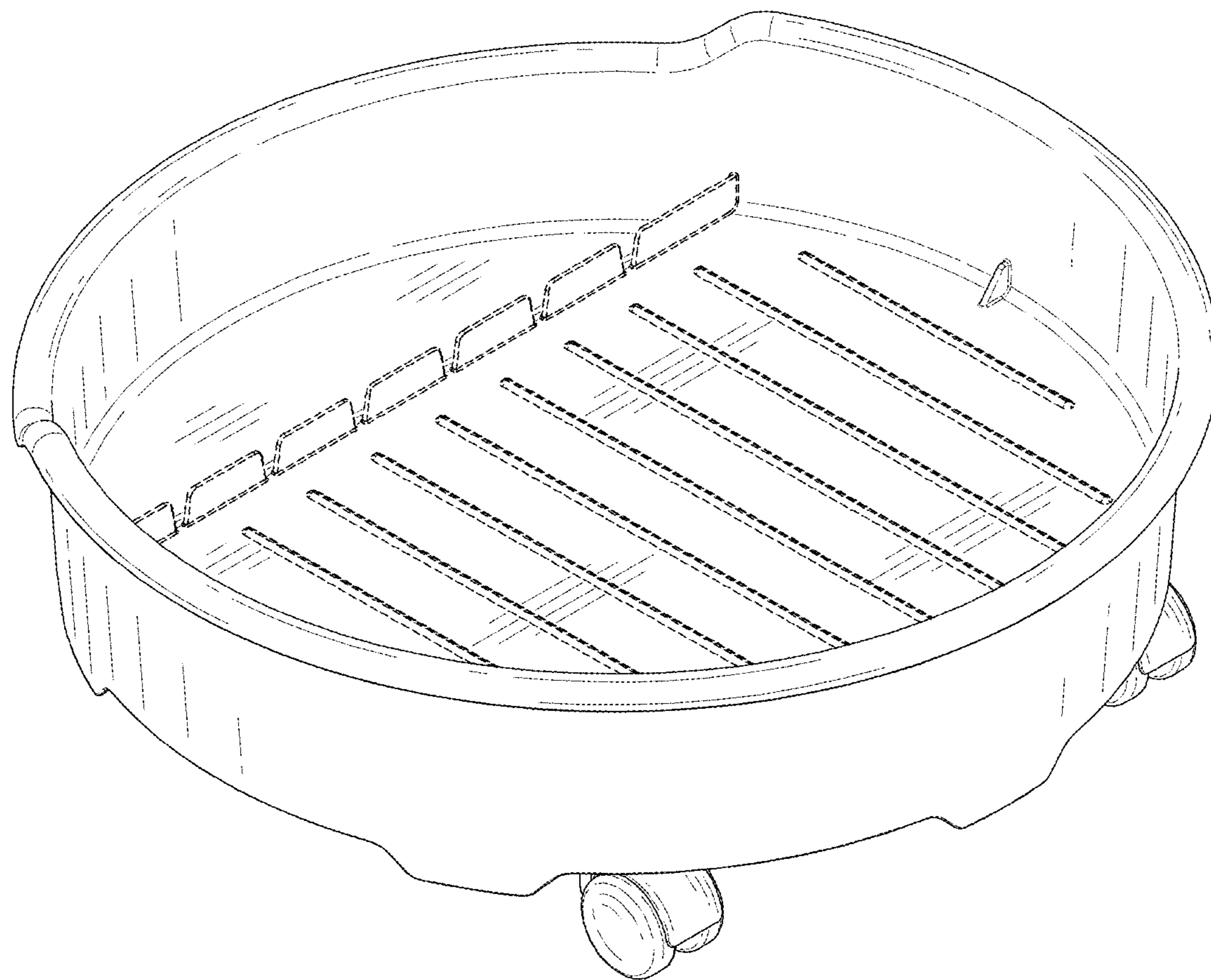


FIG. 1

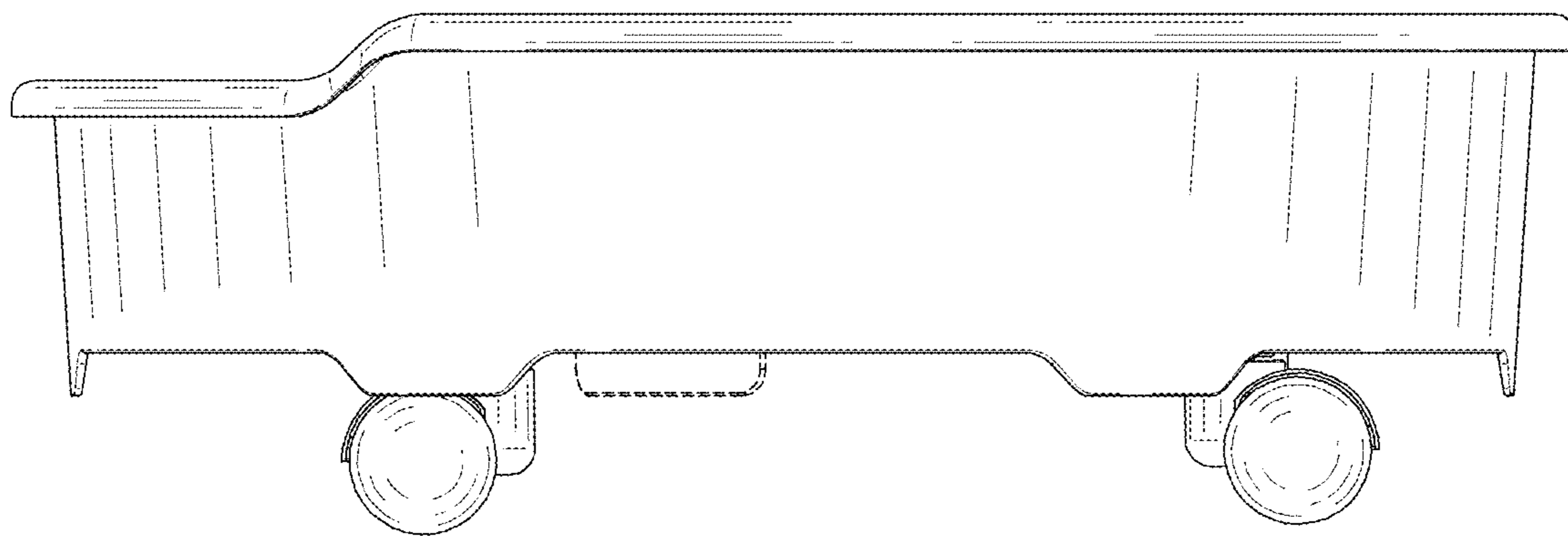


FIG. 2

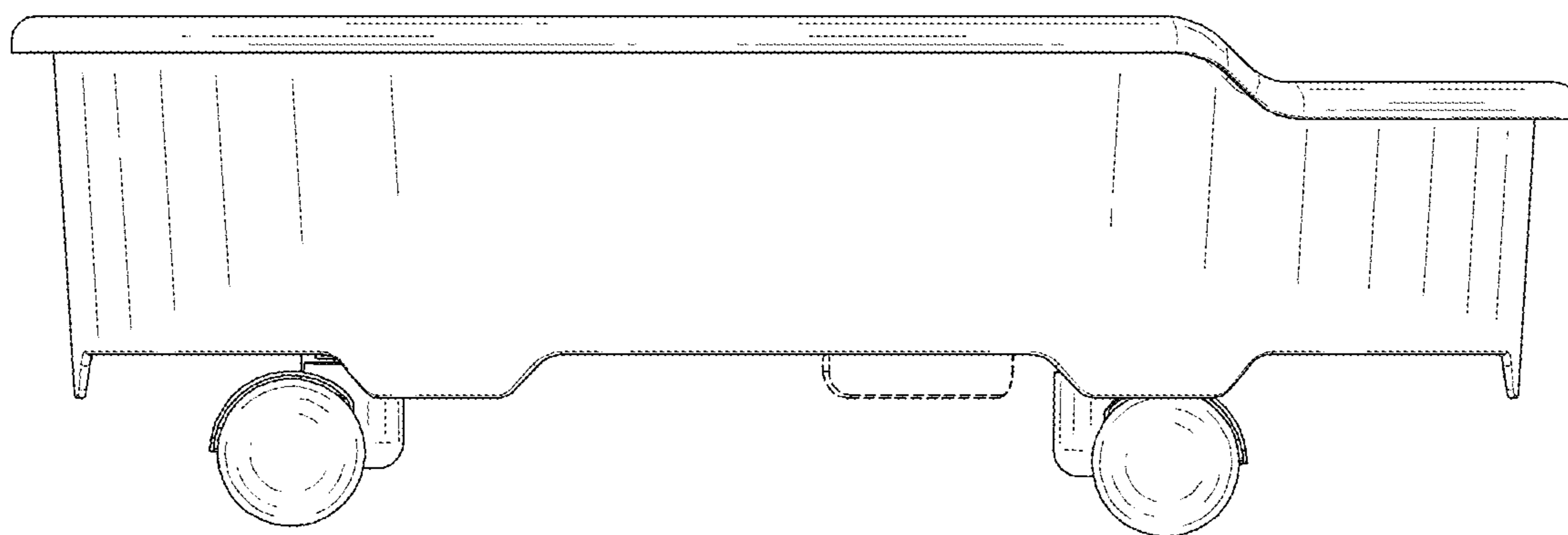


FIG. 3

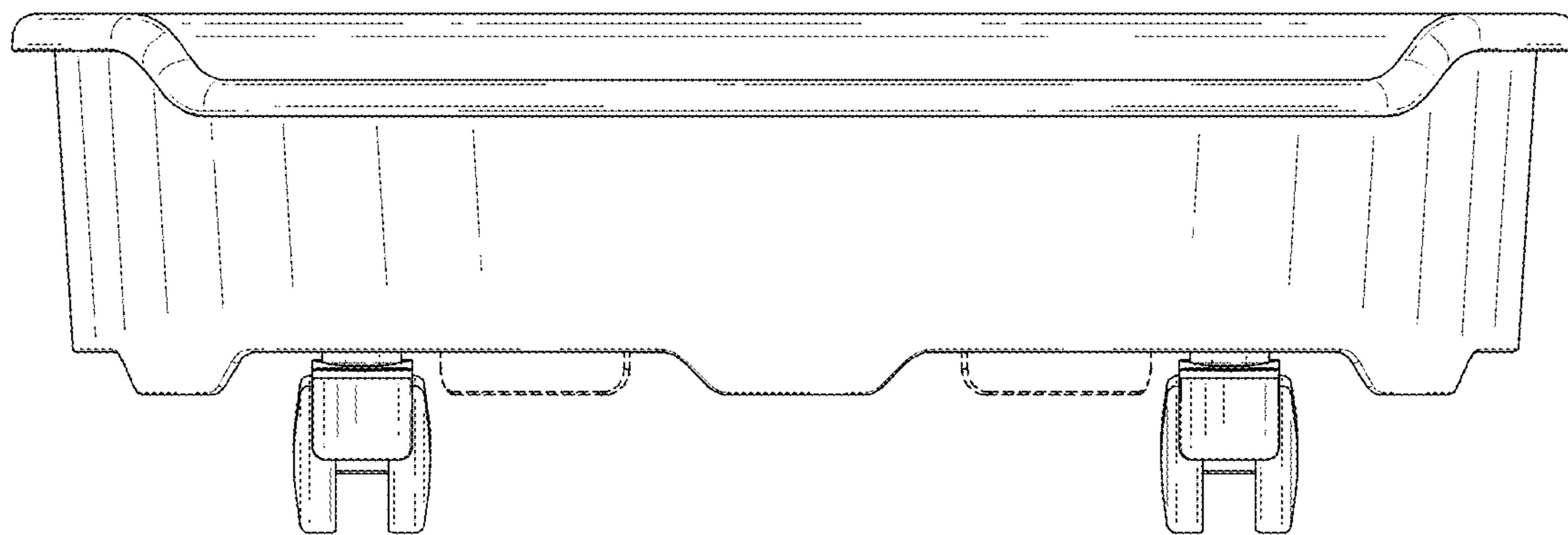


FIG. 4

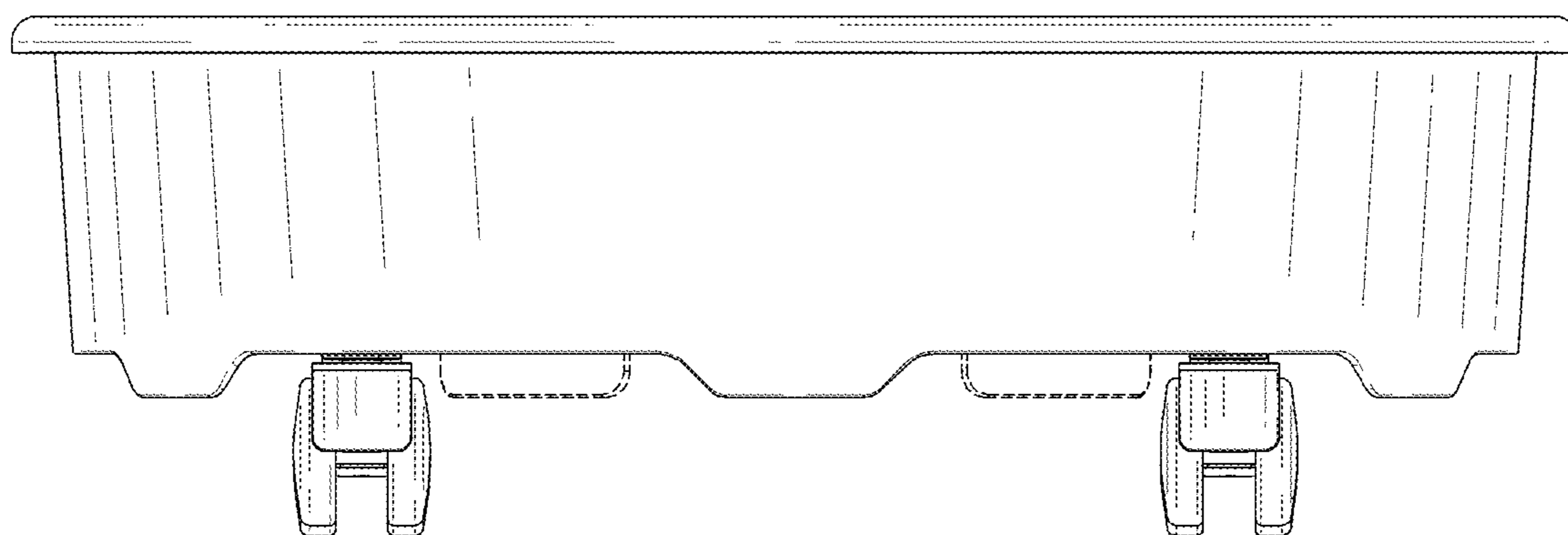


FIG. 5

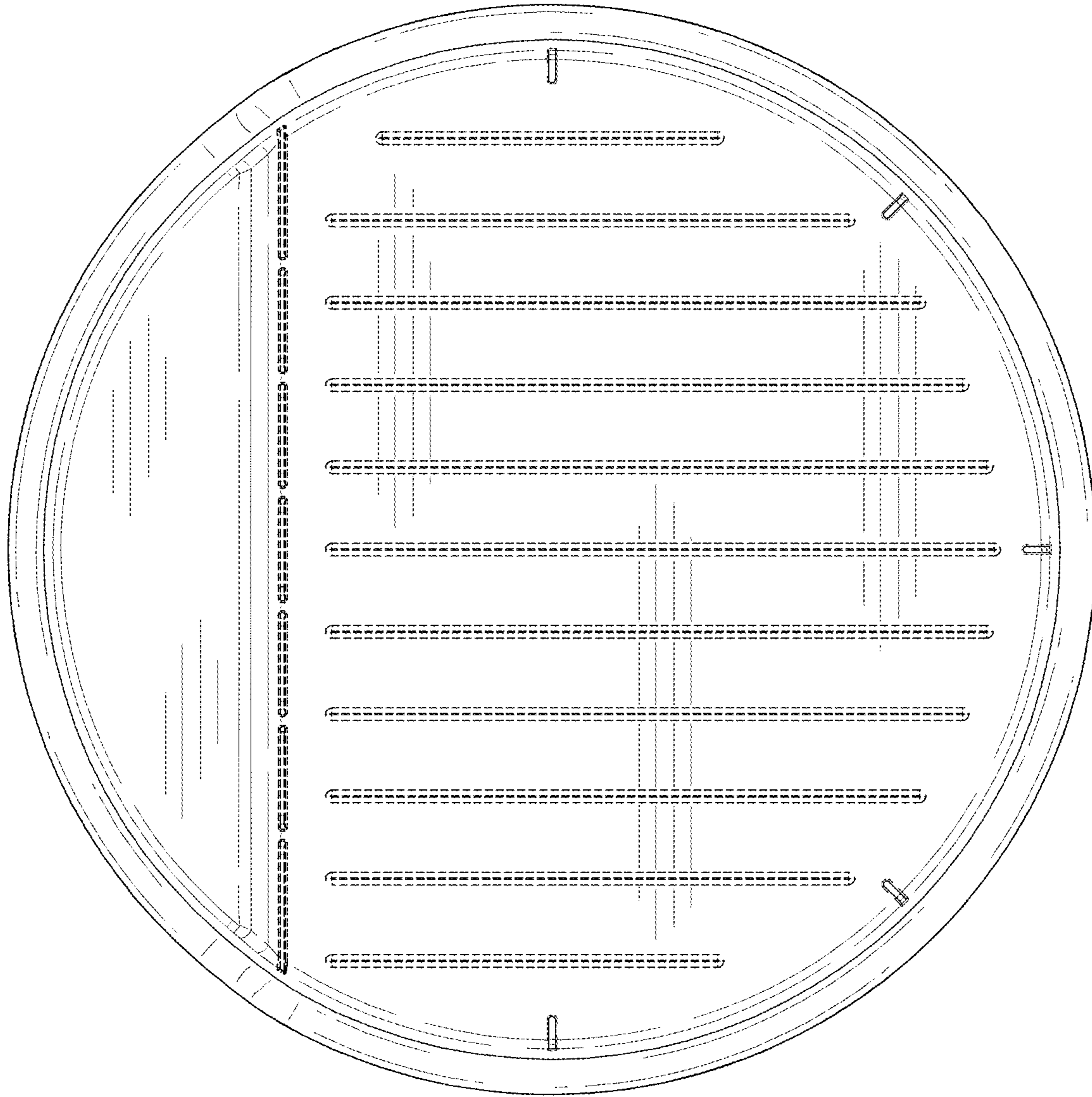


FIG. 6

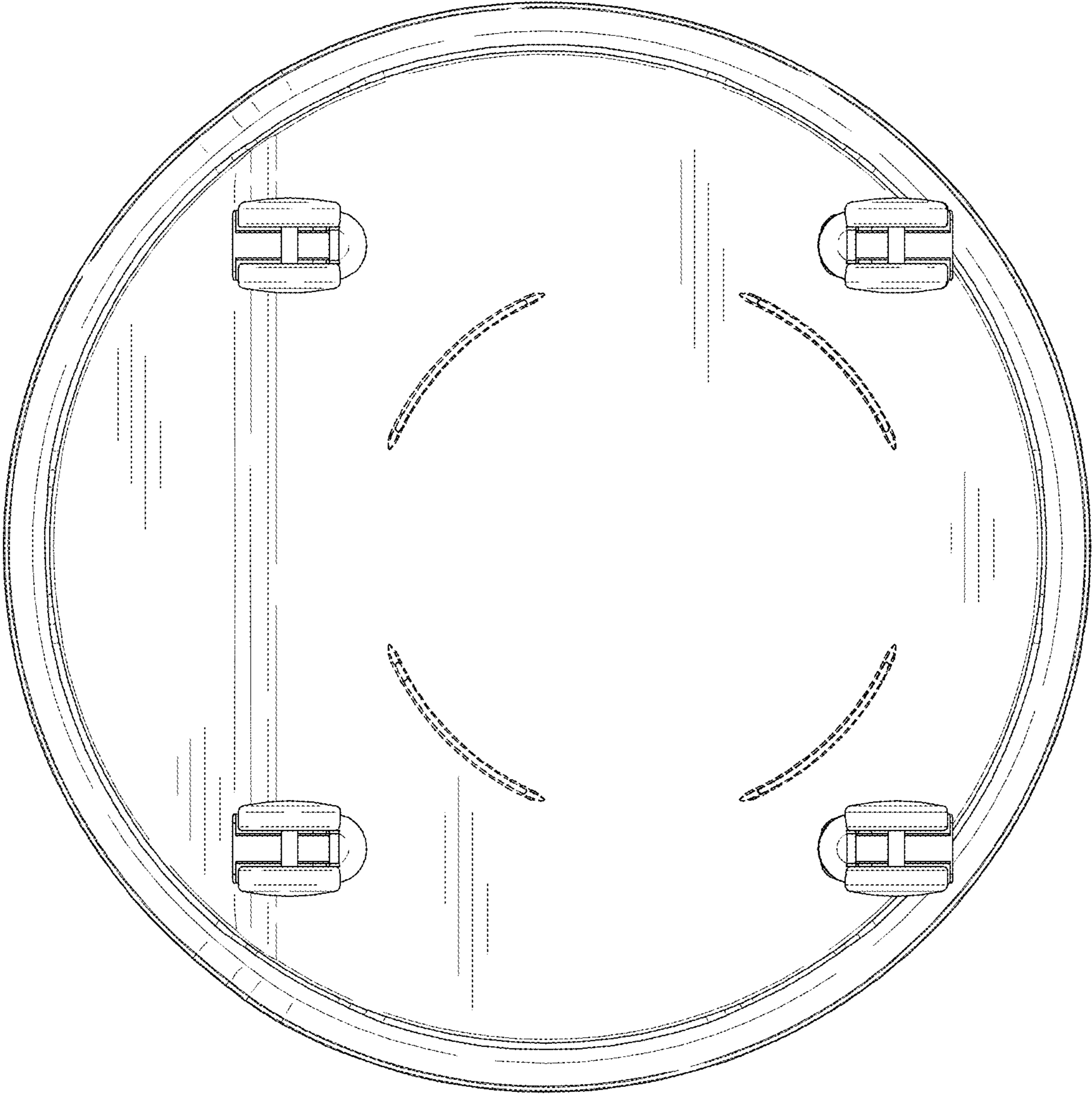


FIG. 7

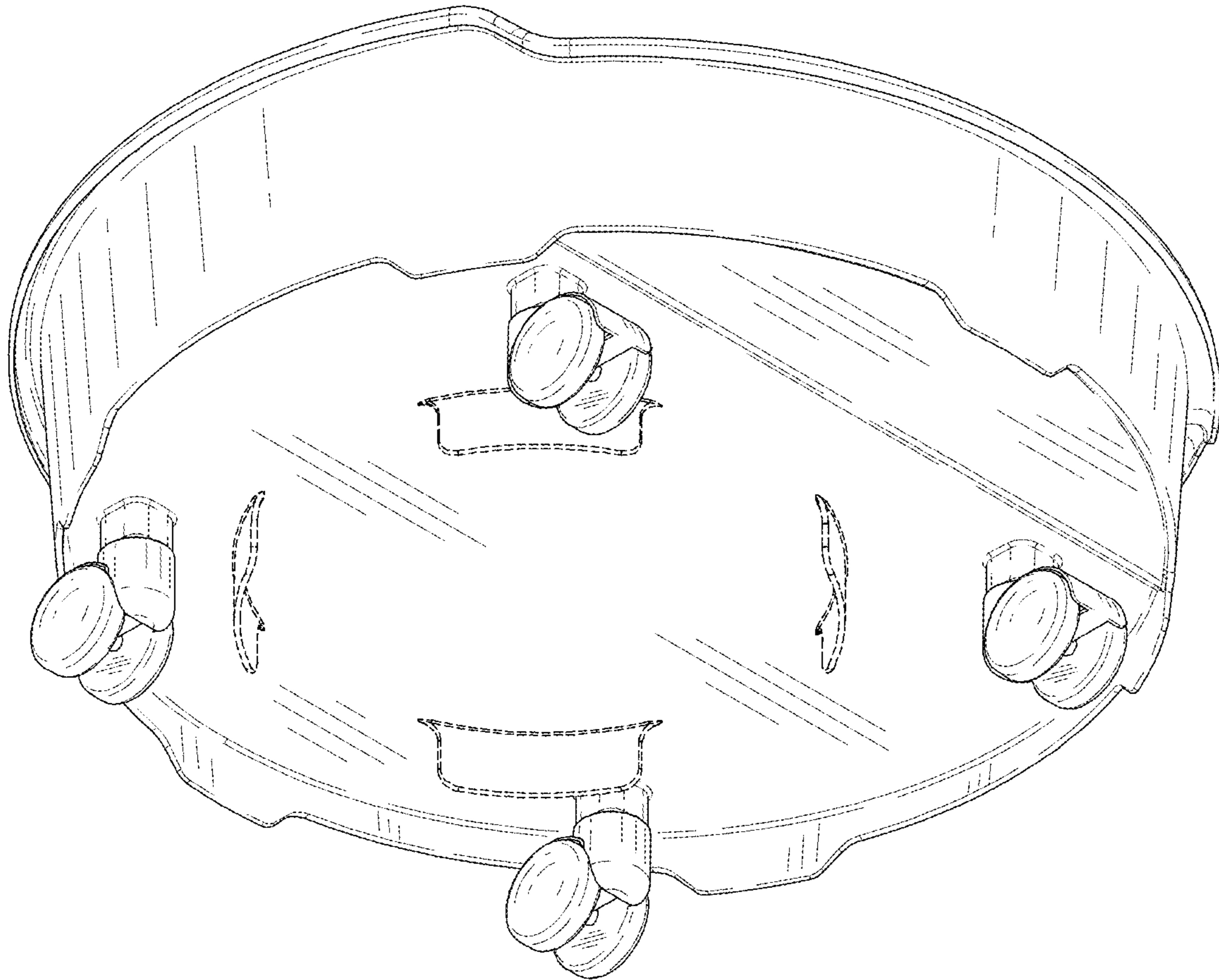


FIG. 8