



US00D974426S

(12) **United States Design Patent** (10) **Patent No.:** **US D974,426 S**
Zeiner et al. (45) **Date of Patent:** **** Jan. 3, 2023**

(54) **CUTTING TOOL**

FOREIGN PATENT DOCUMENTS

(71) Applicant: **SUMITOMO ELECTRIC**
HARDMETAL CORP., Itami (JP)

KR 3010345740004 11/2019
KR 3010345740005 11/2019

(Continued)

(72) Inventors: **Christoph Zeiner**, Willich (DE);
Makoto Abe, Willich (DE); **Andreas**
Widmann, Willich (DE)

OTHER PUBLICATIONS

Office Action dated Jun. 6, 2022 that issued in U.S. Appl. No. 29/747,524.

(73) Assignee: **SUMITOMO ELECTRIC**
HARDMETAL CORP., Itami (JP)

Primary Examiner — Michael C Stout
Assistant Examiner — Fritzgerald L Butac

(**) Term: **15 Years**

(74) *Attorney, Agent, or Firm* — Faegre Drinker Biddle & Reath LLP

(21) Appl. No.: **29/747,546**

(22) Filed: **Aug. 24, 2020**

(57) **CLAIM**

The ornamental design for a cutting tool, as shown and described.

Related U.S. Application Data

(62) Division of application No. 29/682,820, filed on Mar. 8, 2019, now Pat. No. Des. 910,094.

DESCRIPTION

(30) **Foreign Application Priority Data**

Sep. 11, 2018 (JP) 2018-019806
Sep. 11, 2018 (JP) 2018-019807
(Continued)

FIG. 1 is a front view of a cutting tool of the present design; FIG. 2 is a rear view thereof; FIG. 3 is a right side view thereof; FIG. 4 is a left side view thereof; FIG. 5 is a top view thereof; FIG. 6 is a bottom view thereof; FIG. 7 is a first perspective view thereof; FIG. 8 is a second perspective view thereof; FIG. 9 is a third perspective view thereof; FIG. 10 is a fourth perspective view thereof; FIG. 11 is an enlarged view of portion 11 of FIG. 5; and, FIG. 12 is a referential view showing the state in use thereof. The broken lines shown in the drawings represent portions of the cutting tool that form no part of the claimed design. The dashed-dot-dashed lines of FIGS. 3, 5, and 7-9 indicate a boundary between the claimed portions and unclaimed portions of the design. The dashed-dot-dashed frames of FIGS. 5 and 11 depict a boundary of the enlarged portion, and form no part of the claimed design. The broken lines

(51) **LOC (14) Cl.** **15-09**

(52) **U.S. Cl.**
USPC **D15/139**

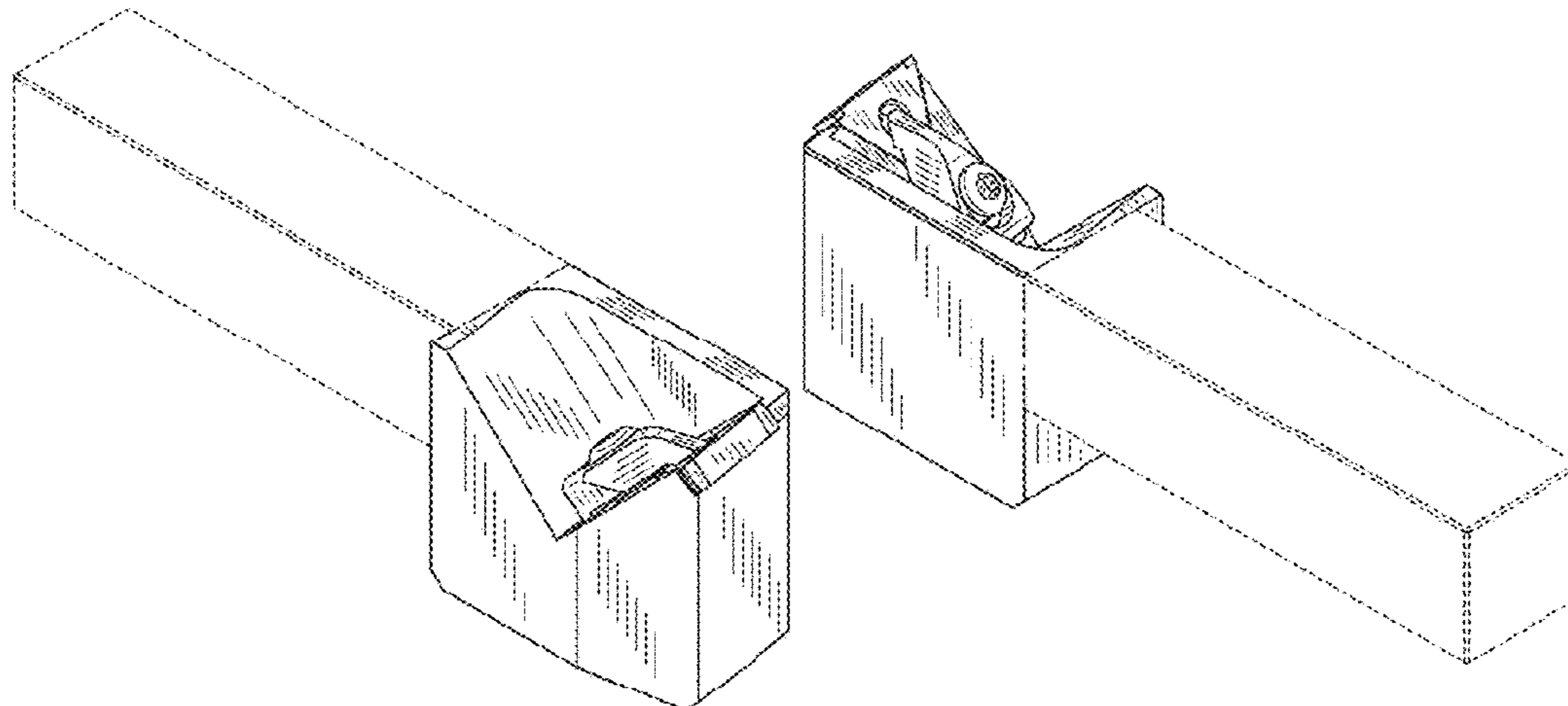
(58) **Field of Classification Search**
USPC D8/70; D15/131, 139
(Continued)

(56) **References Cited**

U.S. PATENT DOCUMENTS

6,712,105 B1 3/2004 Cannon et al.
D519,533 S * 4/2006 Frey D15/139
(Continued)

(Continued)



seen in FIG. 12 are for the purpose of showing environmental structure, and form no part of the claimed design.

1 Claim, 6 Drawing Sheets

(30) **Foreign Application Priority Data**

Sep. 11, 2018 (JP) 2018-019808
 Sep. 11, 2018 (JP) 2018-019809
 Sep. 11, 2018 (JP) 2018-019810

(58) **Field of Classification Search**

CPC B23B 51/0433; B23B 51/0413; B23B
 2251/50; B27G 15/00
 See application file for complete search history.

(56) **References Cited**

U.S. PATENT DOCUMENTS

D656,168 S * 3/2012 Omi D15/139
 D662,529 S * 6/2012 Kirby D15/139
 D664,168 S 7/2012 Okamura et al.
 D692,470 S * 10/2013 Novak D15/139
 D708,650 S * 7/2014 Richter D15/139
 D711,441 S * 8/2014 Novak D15/139
 D735,784 S * 8/2015 O'Malley D15/139
 D735,785 S * 8/2015 O'Malley D15/139
 D736,279 S * 8/2015 O'Malley D15/139
 D755,266 S 5/2016 Tomoda et al.
 D758,463 S * 6/2016 Kikuchi D15/139
 D772,316 S 11/2016 Johnson et al.
 D781,941 S * 3/2017 Nakamura D15/139
 D799,572 S 10/2017 Kanada et al.
 D799,573 S 10/2017 Tomoda et al.

D809,031 S 1/2018 Burton
 D815,165 S * 4/2018 Morisaki D15/139
 D816,743 S * 5/2018 Monden D15/139
 D820,329 S 6/2018 Kanada et al.
 10,010,940 B2 7/2018 Hirano et al.
 D826,664 S * 8/2018 Matsubara D15/139
 D831,084 S * 10/2018 Abe D15/139
 D832,317 S * 10/2018 Abe D15/139
 D834,077 S * 11/2018 Monden D15/139
 D834,078 S * 11/2018 Monden D15/139
 D841,704 S 2/2019 Maeda
 D844,034 S * 3/2019 Yano D15/139
 D844,683 S * 4/2019 Yano D15/139
 D850,503 S 6/2019 Kukino et al.
 D854,592 S 7/2019 Matsuda
 D857,771 S 8/2019 Maeda
 D861,755 S 10/2019 Maeda
 D862,540 S 10/2019 Maeda
 D862,541 S 10/2019 Maeda
 D862,542 S 10/2019 Maeda
 D862,543 S 10/2019 Maeda
 D865,823 S * 11/2019 Abe D15/139
 D872,145 S * 1/2020 Maeno D15/139
 D879,848 S 3/2020 Kinoshita et al.
 10,632,542 B2 4/2020 Harada et al.
 D920,401 S * 5/2021 Congdon D15/139
 D921,075 S * 6/2021 Park D15/139
 D921,076 S * 6/2021 Park D15/139
 D931,916 S * 9/2021 Shimamoto D15/139
 D936,713 S * 11/2021 Endoh D15/139
 D937,330 S * 11/2021 Kukino D15/139

FOREIGN PATENT DOCUMENTS

KR 3010345740003 12/2019
 KR 3010345740002 2/2020
 KR 3010345740001 11/2020

* cited by examiner

FIG. 1

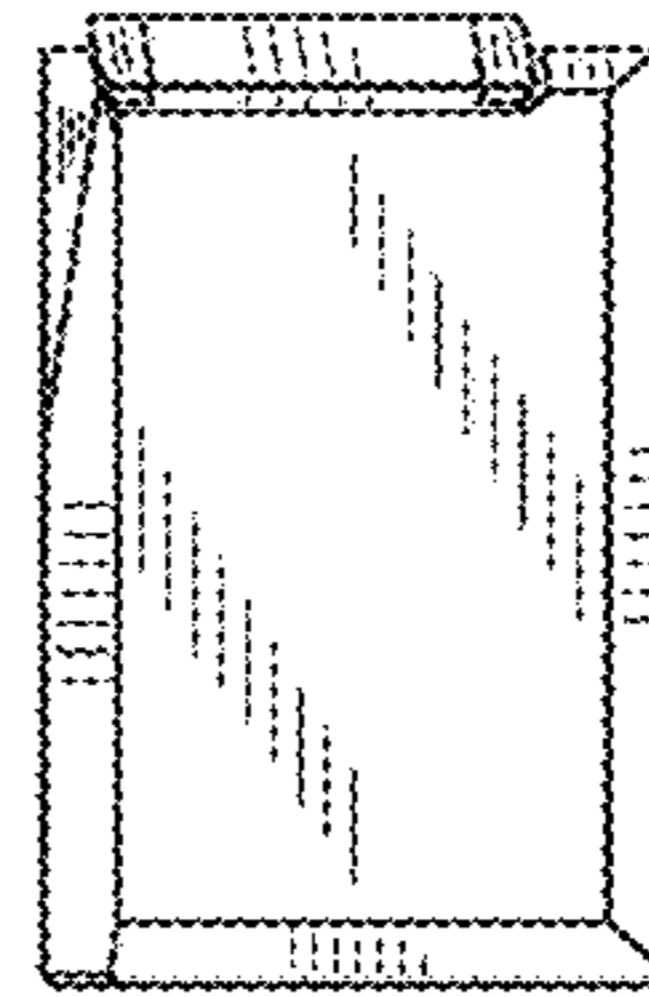


FIG. 2

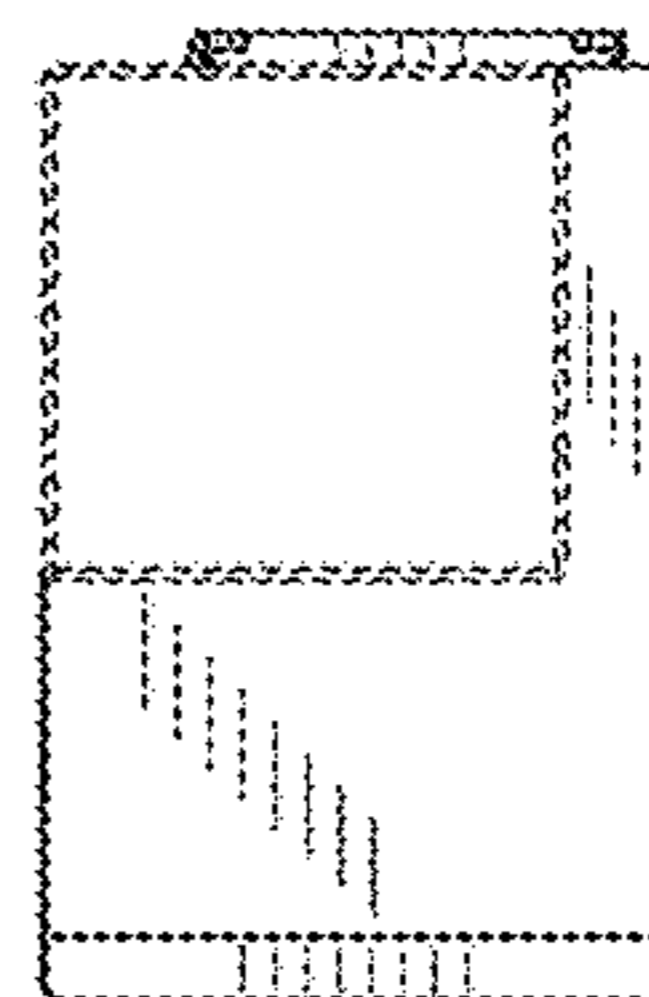


FIG. 3

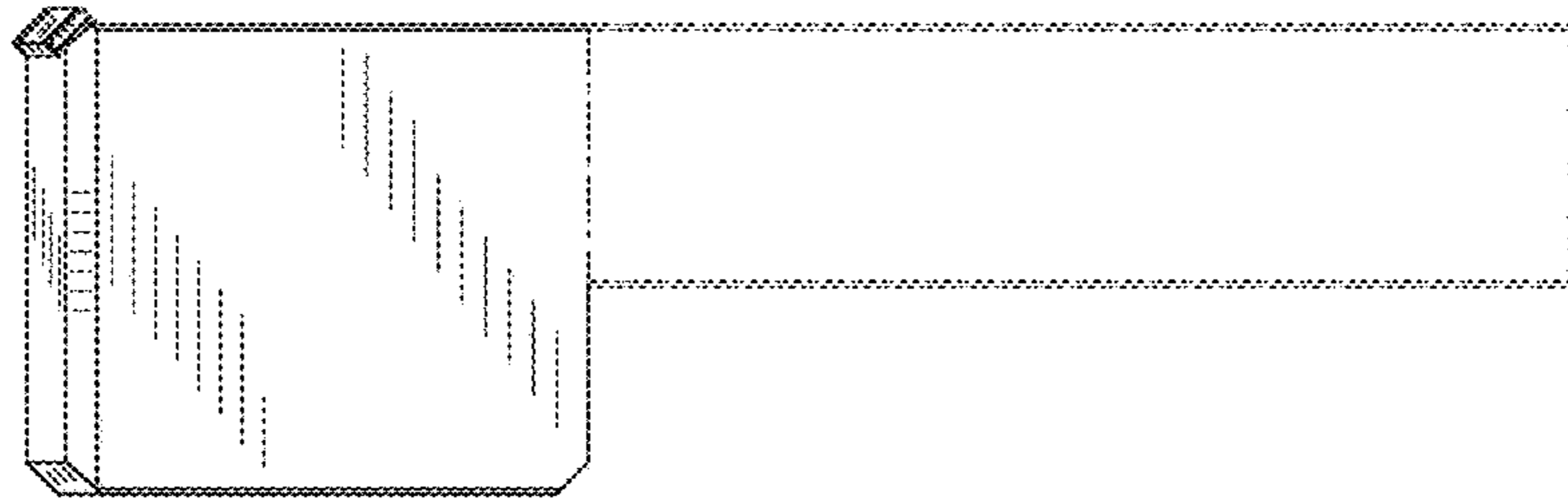


FIG. 4

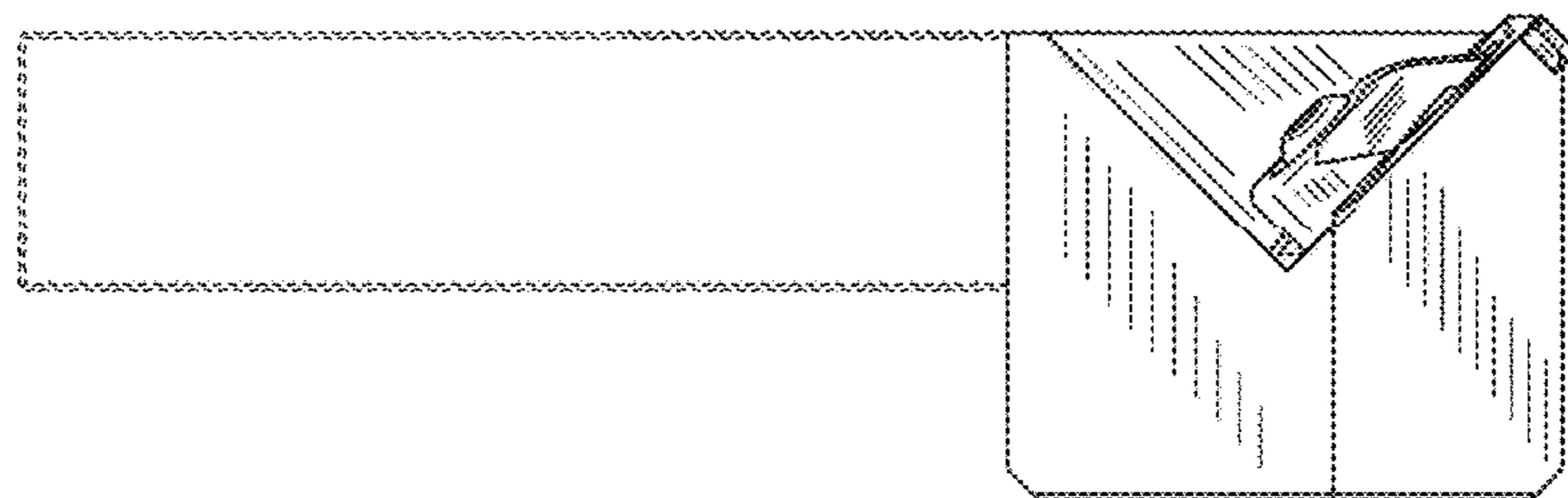


FIG. 5

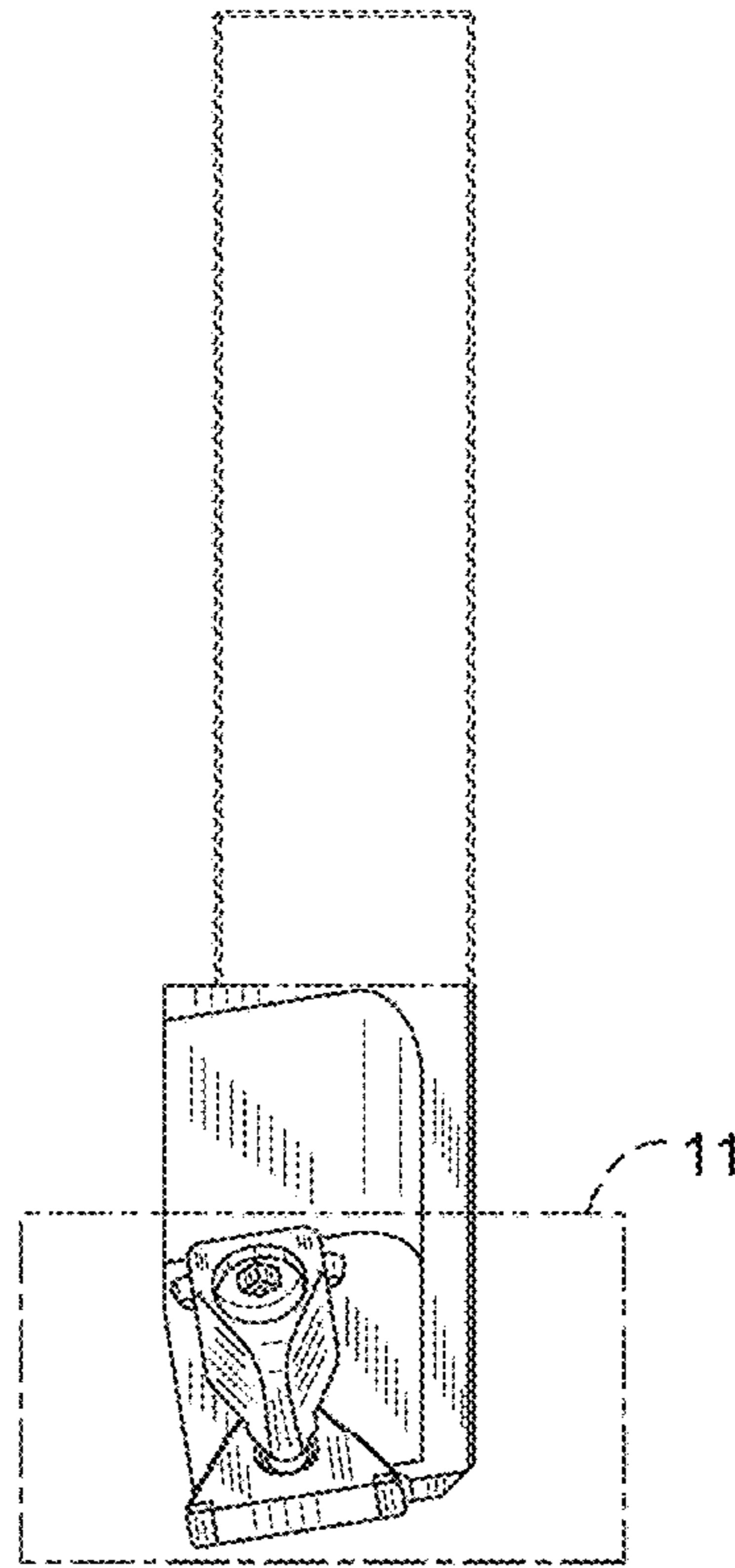


FIG. 6

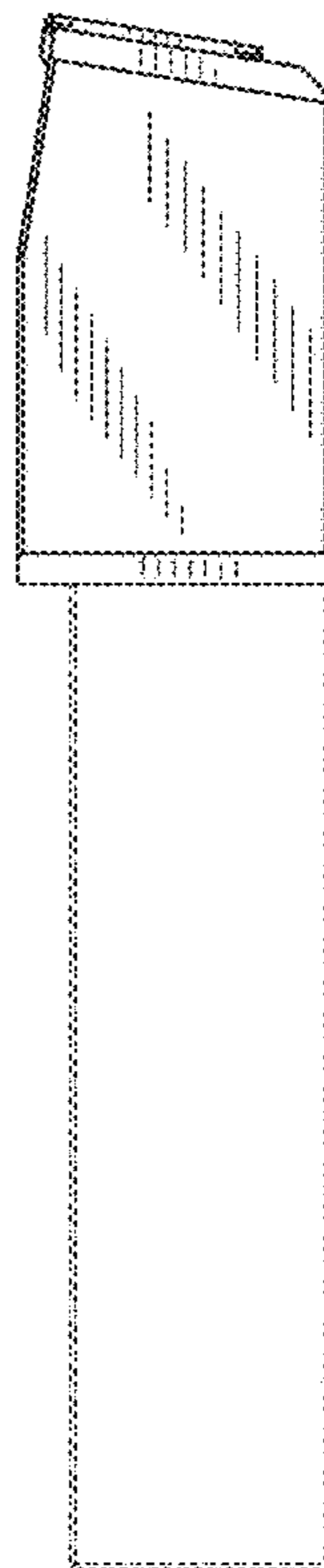


FIG. 7

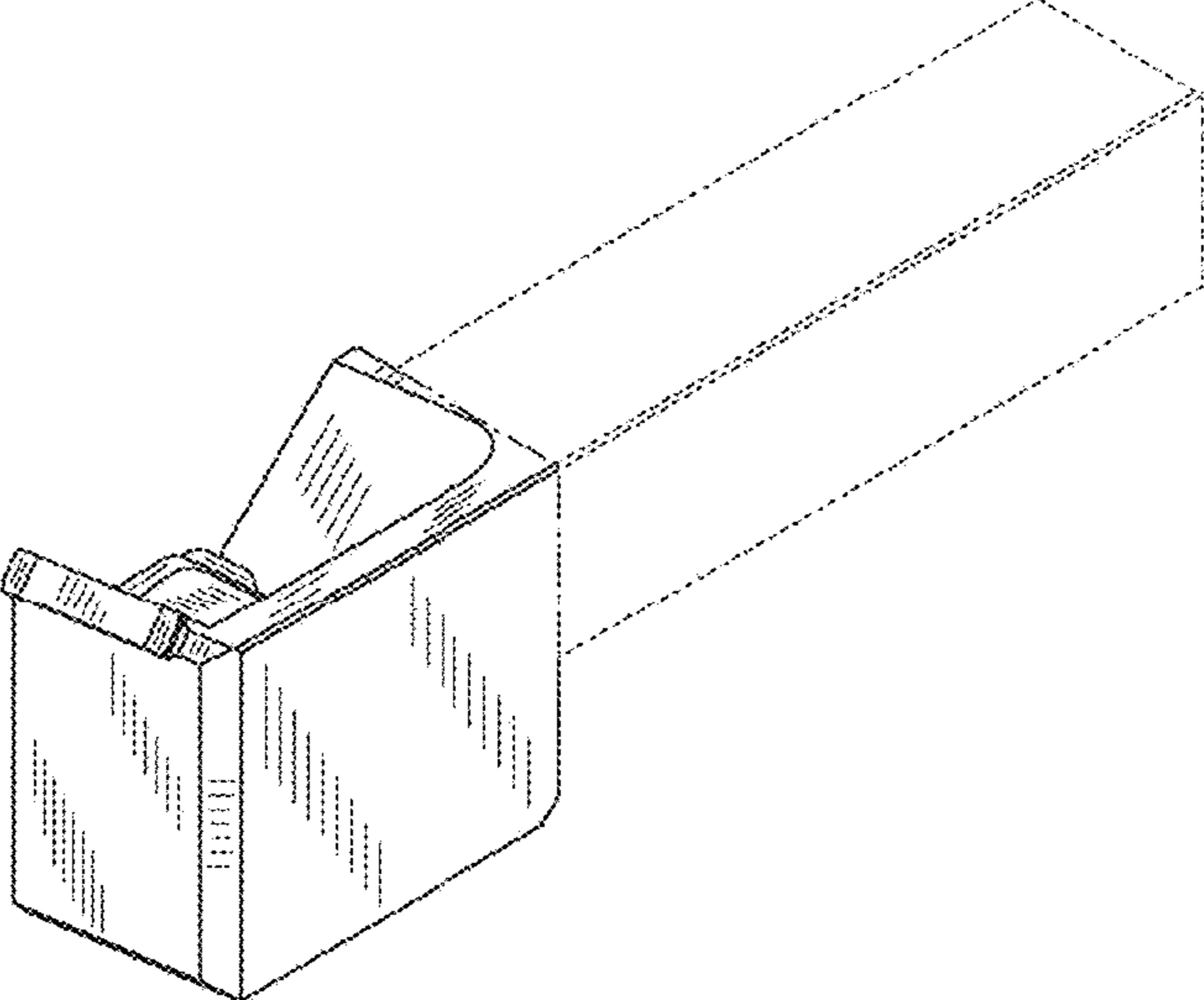


FIG. 8

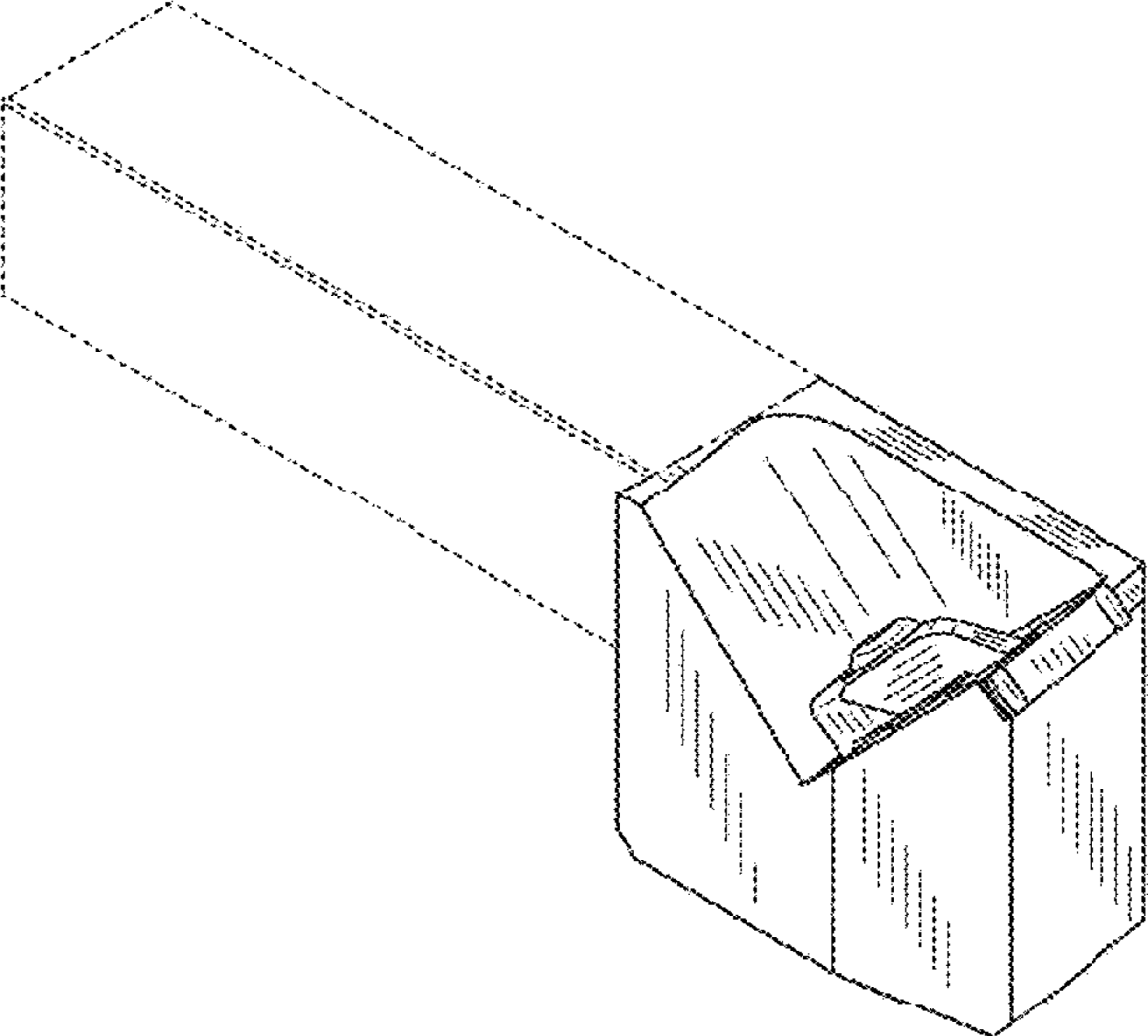


FIG. 9

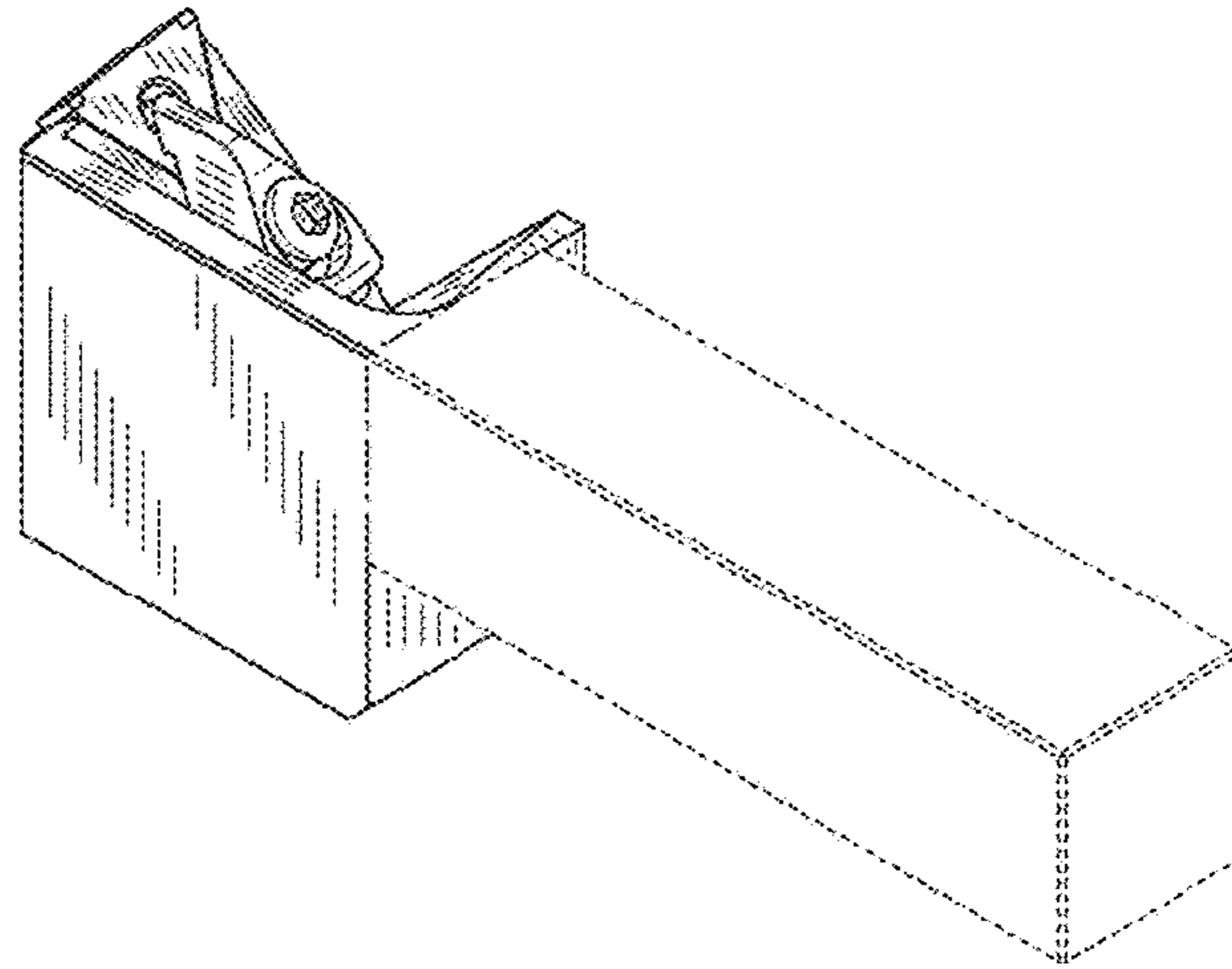


FIG. 10

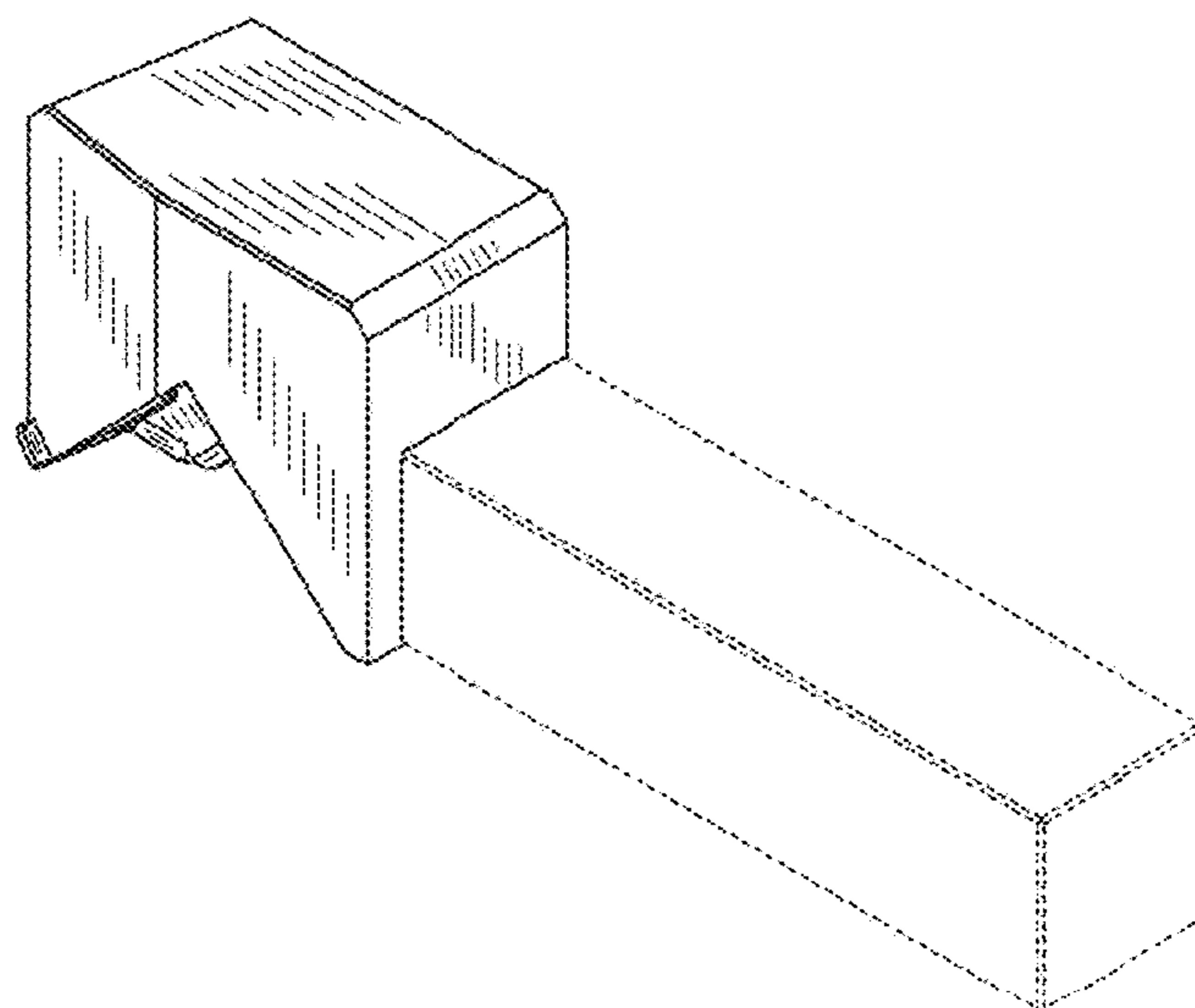


FIG. 11

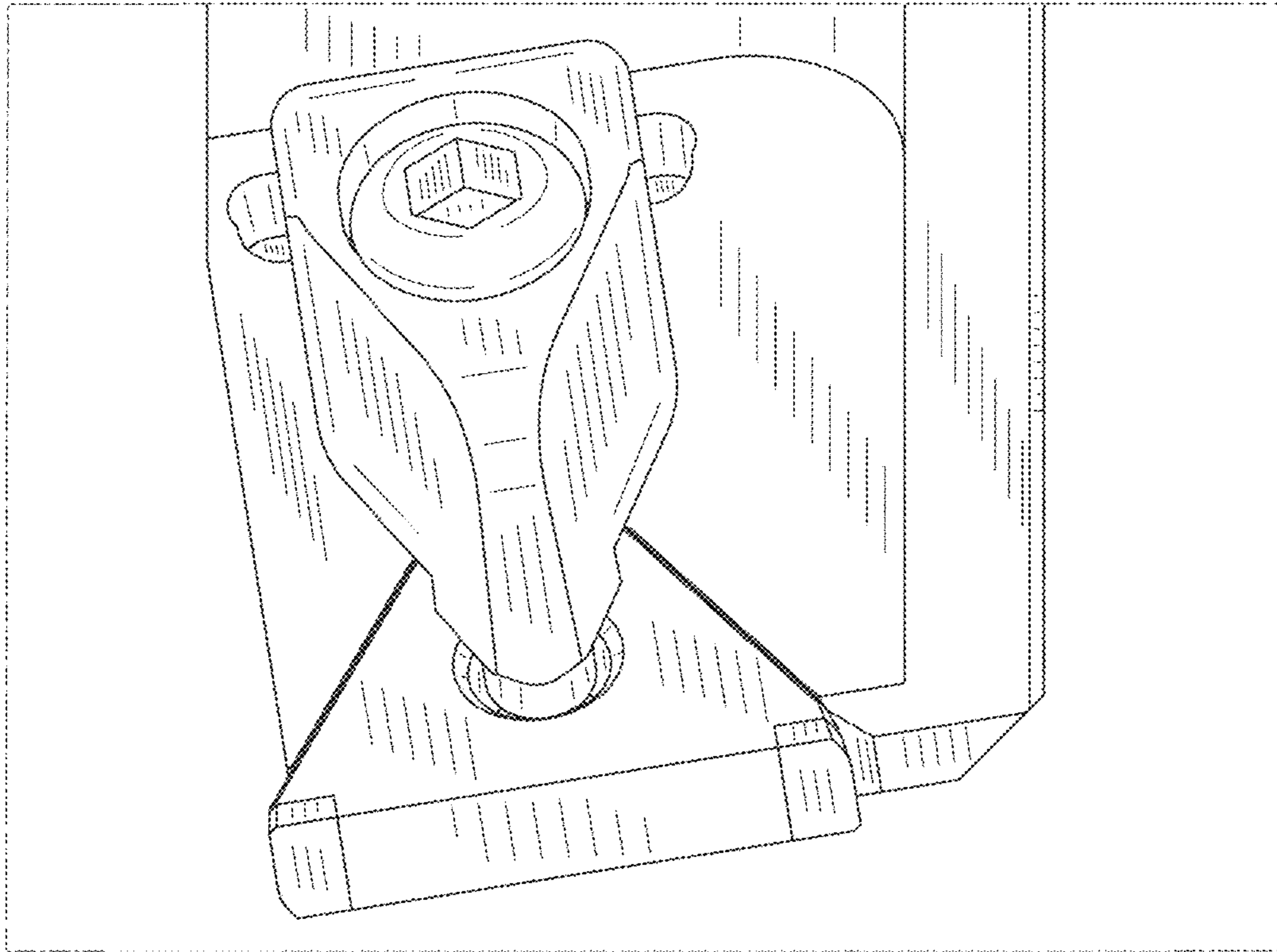


FIG. 12

