



US00D974423S

(12) **United States Design Patent** (10) **Patent No.:** **US D974,423 S**
Zheng (45) **Date of Patent:** **** Jan. 3, 2023**

(54) **CUP TURNER**

FOREIGN PATENT DOCUMENTS

(71) Applicant: **Qi Zheng**, Shaoyang (CN)

CN 306322114 S 2/2021
CN 306655113 S 7/2021

(72) Inventor: **Qi Zheng**, Shaoyang (CN)

OTHER PUBLICATIONS

(**) Term: **15 Years**

(21) Appl. No.: **29/804,547**

(22) Filed: **Aug. 20, 2021**

(51) **LOC (14) Cl.** **15-09**

(52) **U.S. Cl.**
USPC **D15/130; D15/122; D15/140**

(58) **Field of Classification Search**
USPC D34/29; D19/70, 108, 109; D15/124,
D15/125, 130, 132, 140, 141
CPC B05C 11/08; B05C 13/025; B05C 1/022;
B05D 1/002

See application file for complete search history.

KingBaas, 6 Cup Turners for Crafts Tumbler, (first available Jul. 3, 2021), Amazon.com, URL:<<https://www.amazon.com/Turners-Tumbler-tumblers-Spinner-Tumblers/dp/B098L6PMSX>> (Year: 2021).
Artotok, 8 Multi Cup Turners for Crafts Tumbler Cup Spinner Machine Kit, (first available Apr. 28, 2022), Amazon.com, URL:<<https://www.amazon.com/dp/B09H2H1B11>> (Year: 2022).
Wagonuy, 6 Cup Turner for Crafts Tumbler, (first available Aug. 8, 2021), Amazon.com, URL:<<https://www.amazon.com/dp/B09MZYJTCC>> (Year: 2021).
Best Products Reviews, "10 Best Cup Turner In The US—Aug. 2022", (2022), Best Products Reviews website, RUL:<<https://www.bestproductsreviews.com/cup-turner>> (Year: 2022).*

* cited by examiner

Primary Examiner — Calvin E Vansant

Assistant Examiner — Mark T. Philipps

(56) **References Cited**

U.S. PATENT DOCUMENTS

D126,229 S * 4/1941 Anesi D15/125
D143,683 S * 1/1946 Tobias D15/126
D153,751 S * 5/1949 Apple D15/125
D340,341 S * 10/1993 Lawless D34/28
5,493,979 A * 2/1996 Ackermann D05B 27/10
112/318
D472,564 S * 4/2003 Corcoran D15/123
D746,532 S * 12/2015 Meyer D34/29
D908,749 S * 1/2021 Luo D15/140
D915,476 S * 4/2021 Luo D15/140
D936,115 S * 11/2021 Yang D15/140
D943,377 S * 2/2022 Xu D15/140
D947,261 S * 3/2022 He D15/140
D947,263 S * 3/2022 He D15/140
2007/0082135 A1 * 4/2007 Lee C03C 17/326
427/346
2019/0358666 A1 * 11/2019 Gill, Jr. B05D 1/002

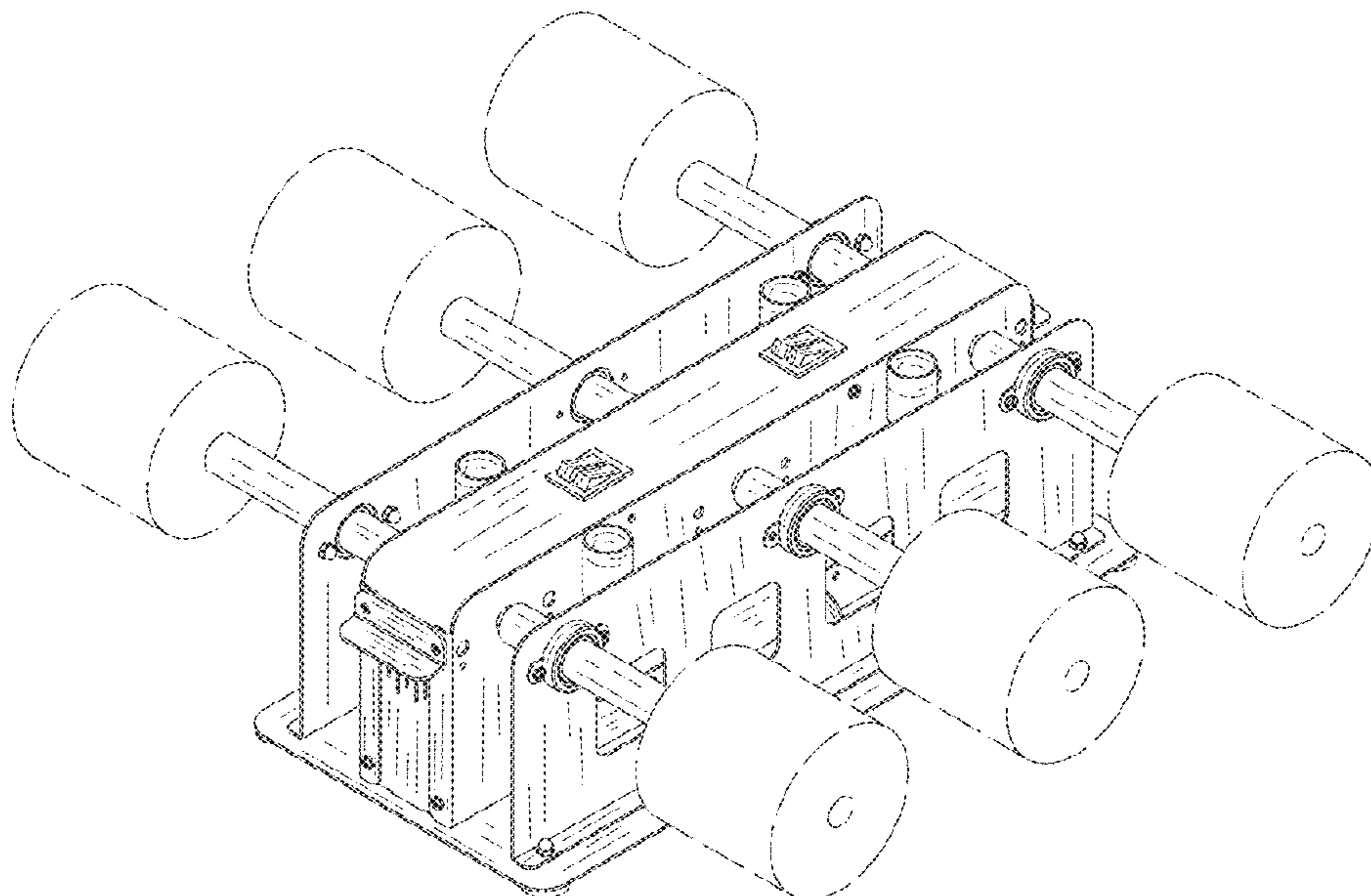
(57) **CLAIM**

The ornamental design for a cup turner, substantially as shown and described.

DESCRIPTION

FIG. 1 is a top, front and right side perspective view of a cup turner, showing my new design;
FIG. 2 is a front elevational view thereof;
FIG. 3 is a rear elevational view thereof;
FIG. 4 is a left side elevational view thereof;
FIG. 5 is a right side elevational view thereof;
FIG. 6 is a top plan view thereof; and,
FIG. 7 is a bottom plan view thereof.
The broken lines in the drawings illustrate the portions of the cup turner, which form no part of the claimed design.

1 Claim, 7 Drawing Sheets



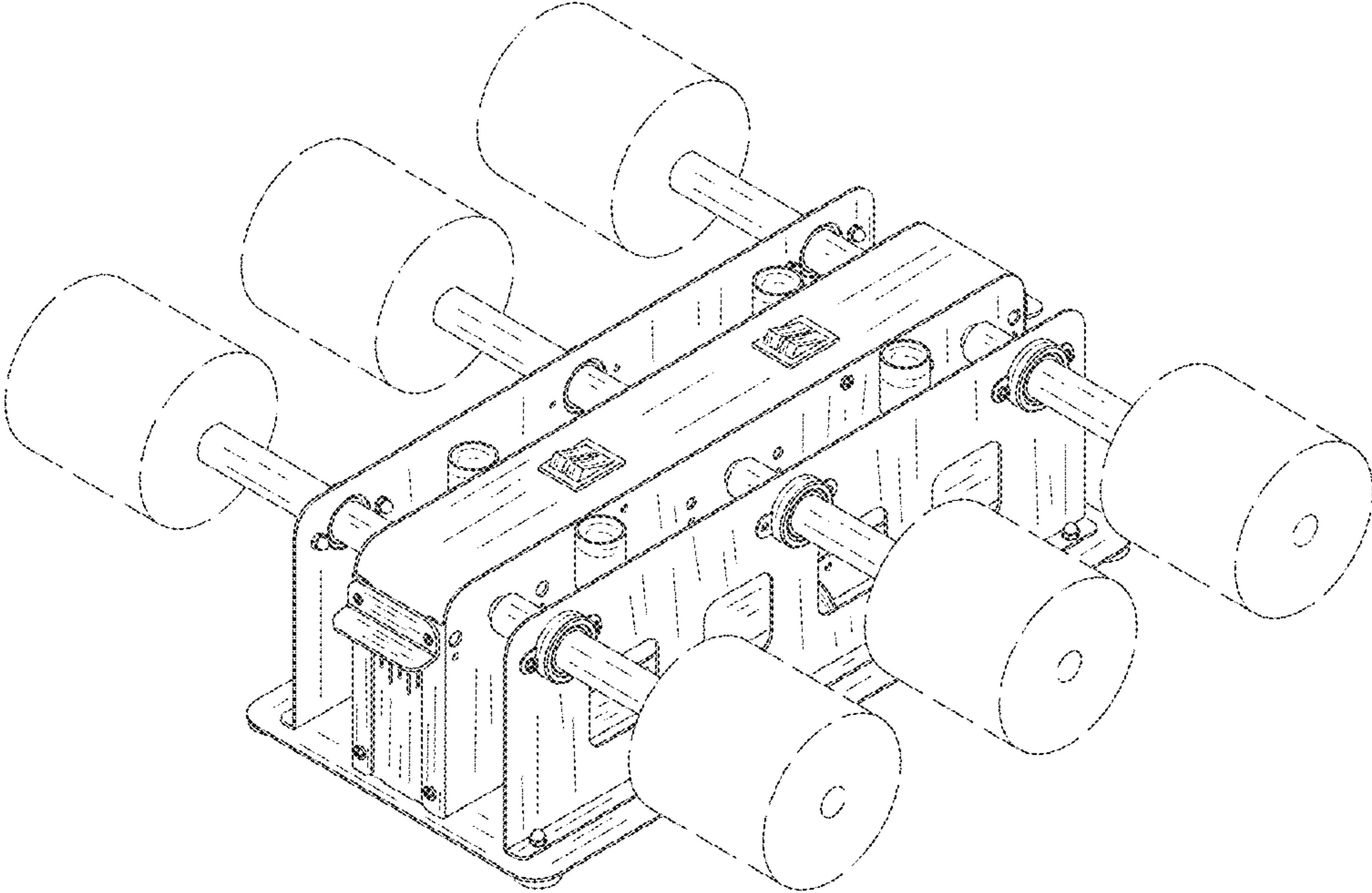


FIG. 1

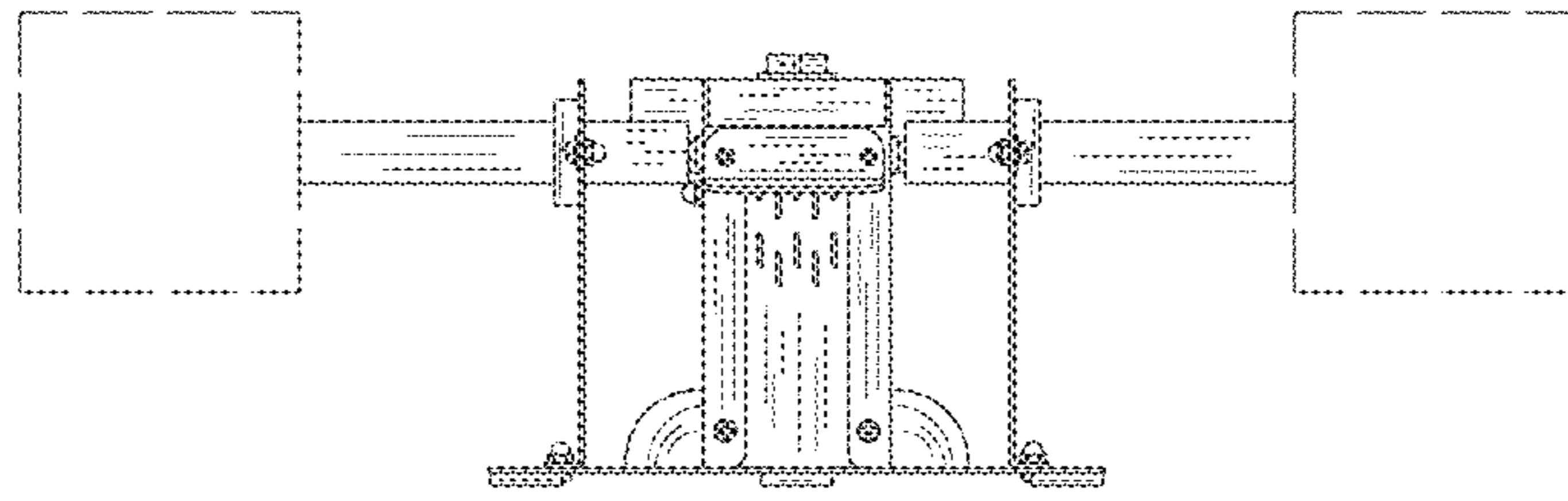


FIG. 2

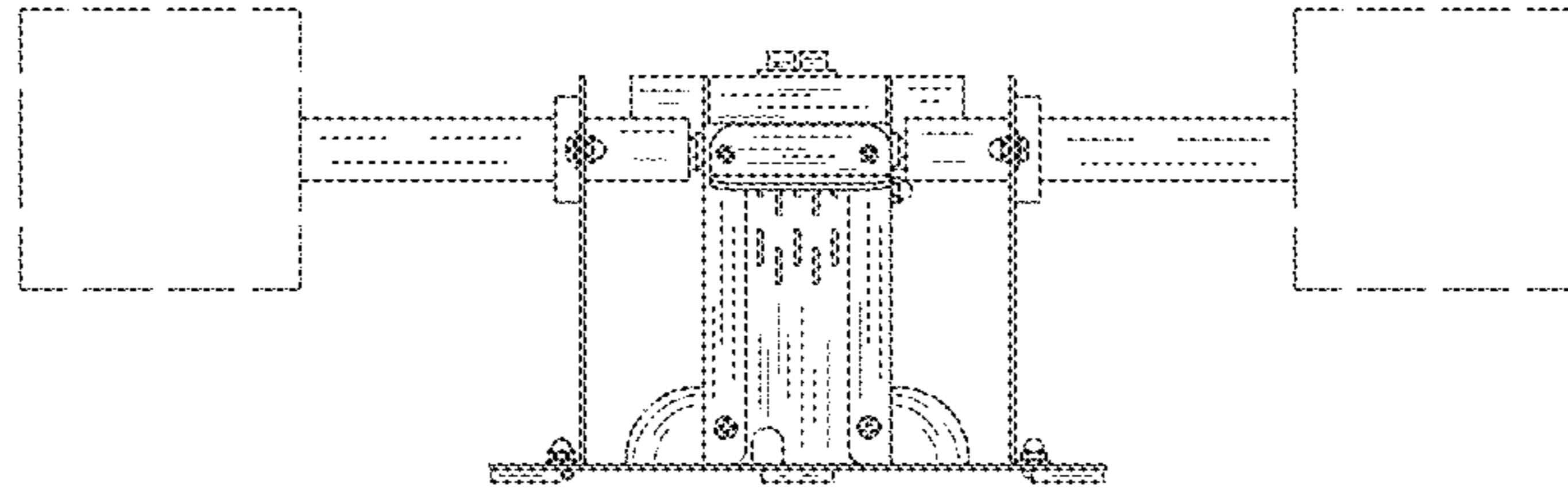


FIG. 3

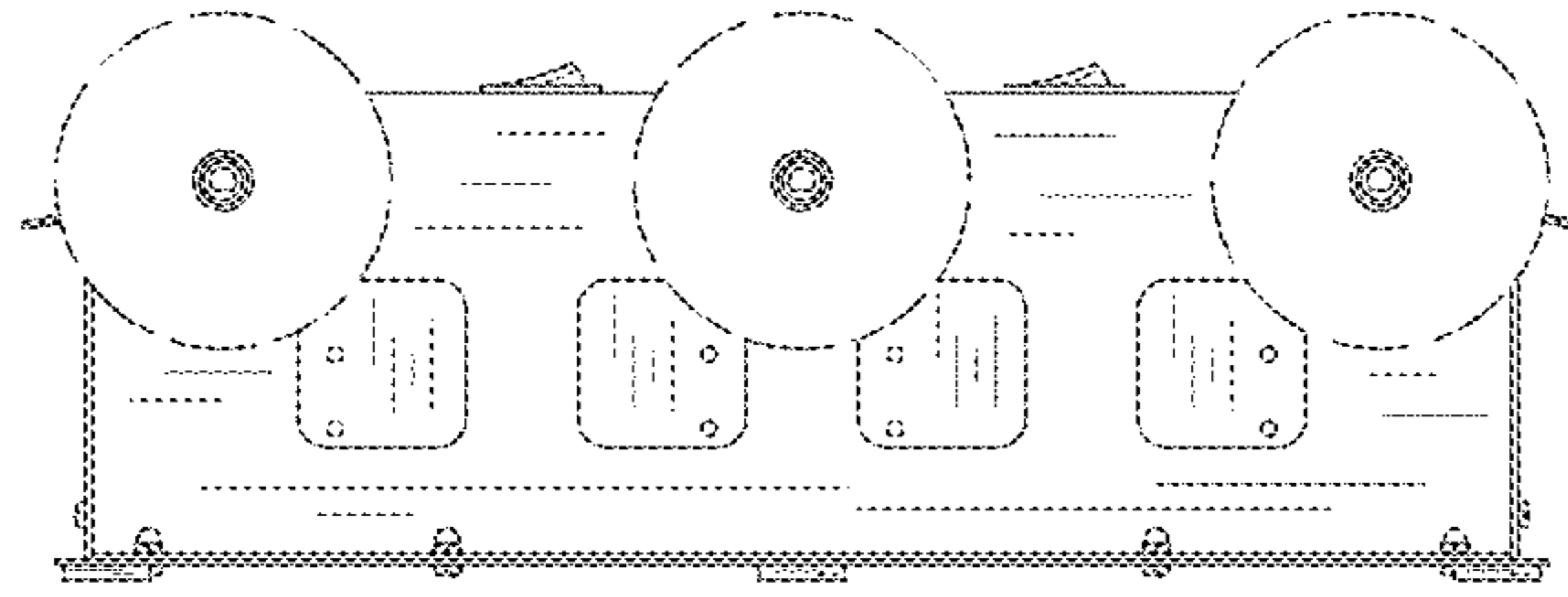


FIG.4

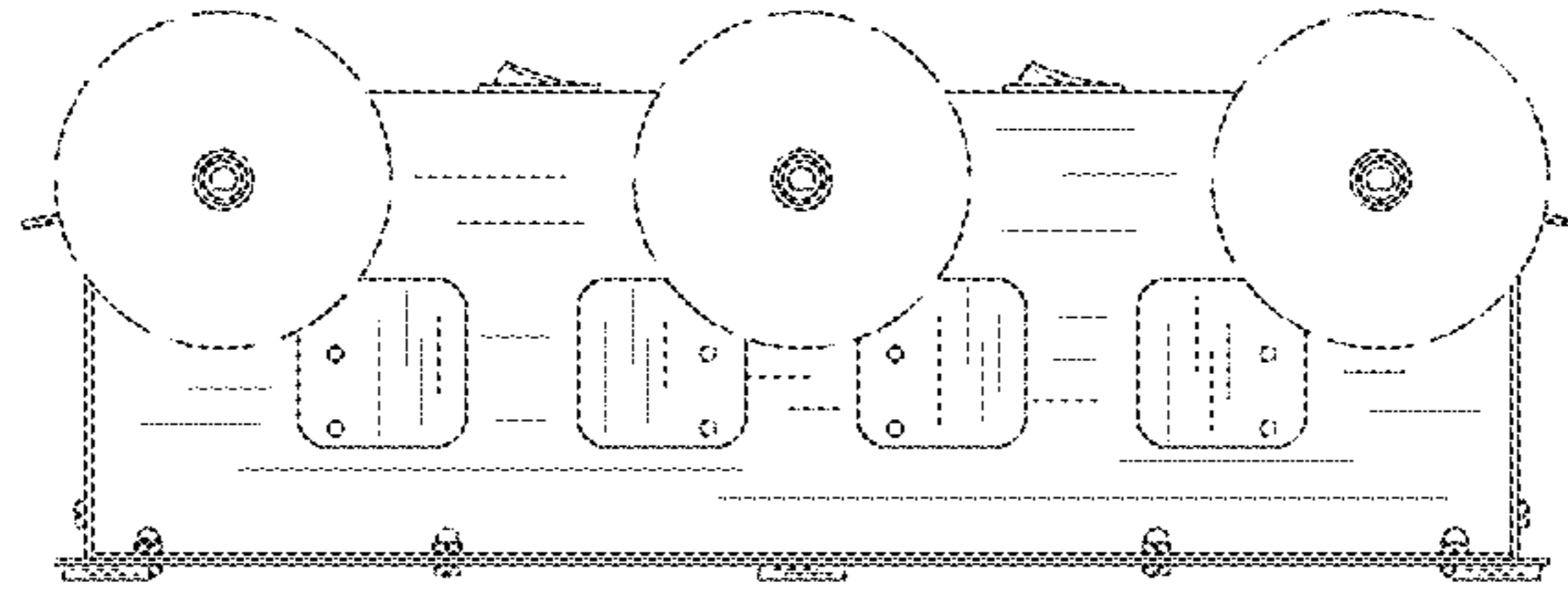


FIG. 5

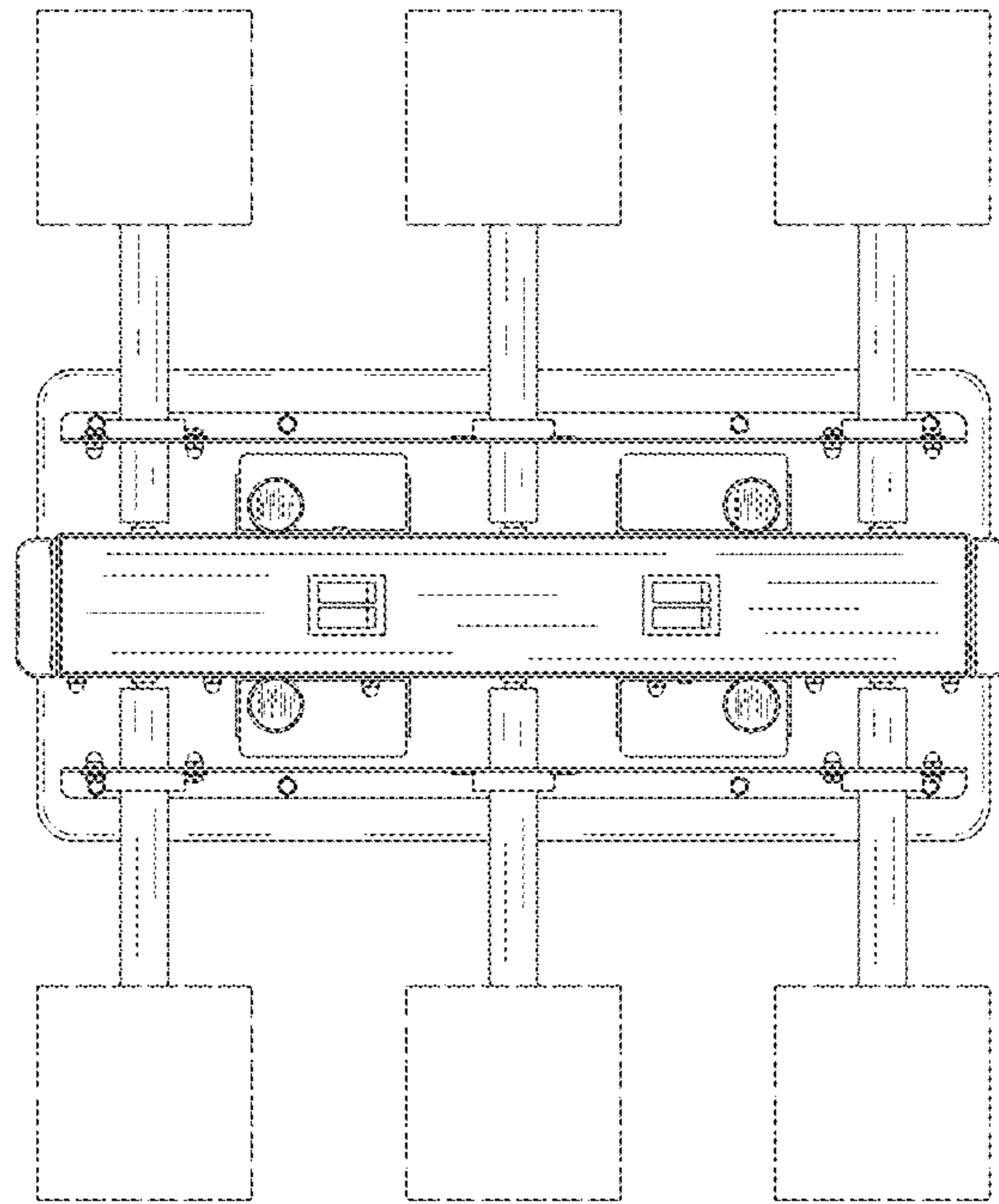


FIG. 6

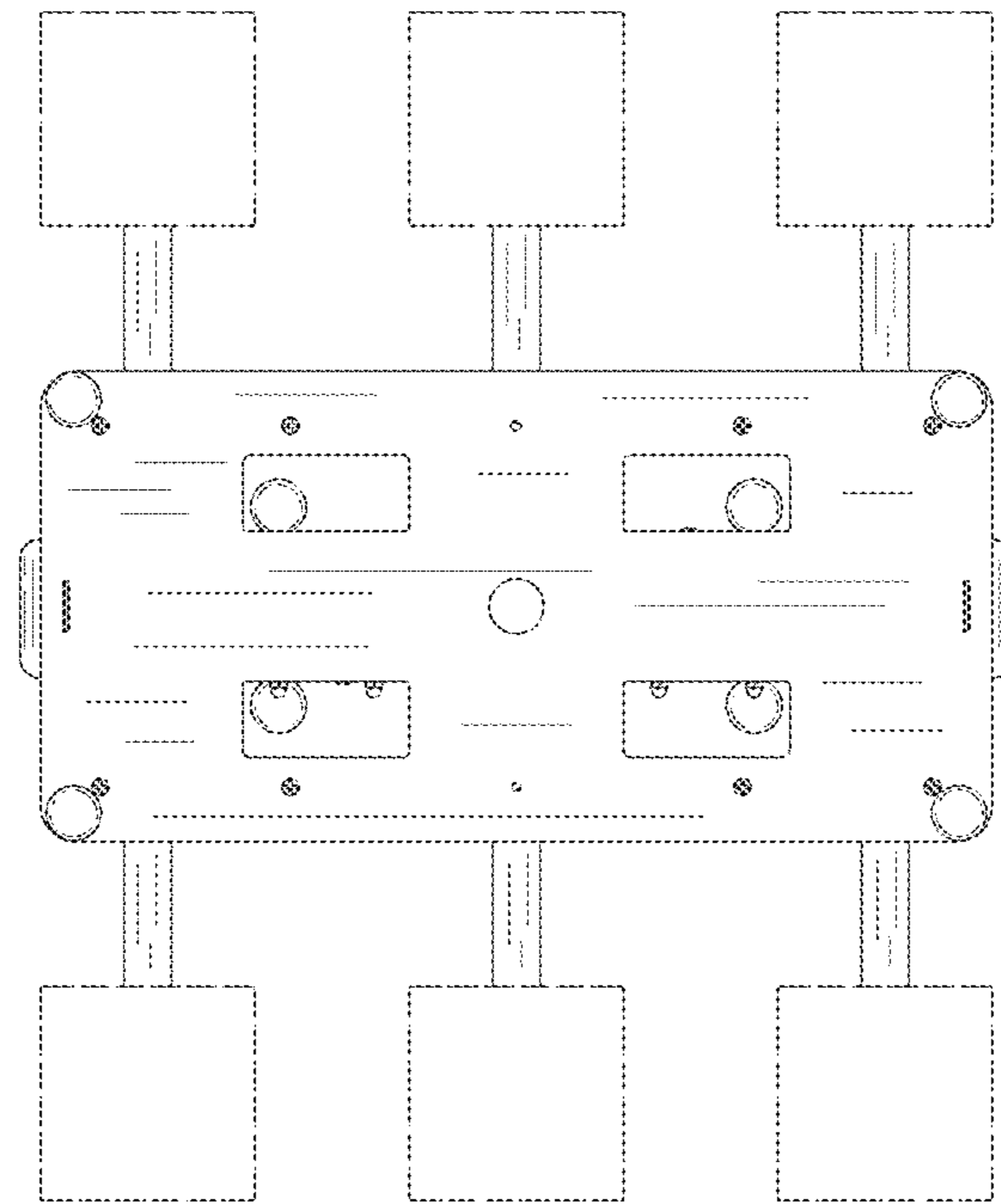


FIG. 7