



US00D974420S

(12) **United States Design Patent** (10) **Patent No.:** **US D974,420 S**
Wang (45) **Date of Patent:** **** Jan. 3, 2023**

(54) **HOT STAMPING MACHINE**
(71) Applicant: **Zhongmin Wang**, Puyang (CN)
(72) Inventor: **Zhongmin Wang**, Puyang (CN)
(**) Term: **15 Years**
(21) Appl. No.: **29/770,152**
(22) Filed: **Feb. 9, 2021**
(51) **LOC (14) Cl.** **15-09**
(52) **U.S. Cl.**
USPC **D15/122**
(58) **Field of Classification Search**
USPC D15/122, 146, 123, 144.2; D32/70
CPC .. B41F 16/0046; B41F 16/02; B41F 15/0863;
B41F 15/12; B30B 1/12; B30B 1/04;
B30B 15/34; B30B 15/026; B30B 15/047;
B30B 15/064; B30B 15/12; B30B 15/028;
B30B 15/041; B30B 15/062; B30B
15/148; B30B 7/00; D06F 71/026; D06F
71/08; D06F 71/32; D06F 75/24; D06F
75/26; D06F 75/34; D06F 75/36; D06F
75/38; D06F 93/005
See application file for complete search history.

(56) **References Cited**
U.S. PATENT DOCUMENTS
6,151,814 A * 11/2000 Raio D06F 71/026
38/30
D873,313 S * 1/2020 Galkin D15/123

D875,149 S * 2/2020 Galkin D15/122
D893,563 S * 8/2020 Crisp D15/122
D893,566 S * 8/2020 Chen D15/122
D925,621 S * 7/2021 Crisp D32/70
D925,630 S * 7/2021 Galkin D15/122
D927,577 S * 8/2021 Galkin D15/122
D935,494 S * 11/2021 Chen D32/70
D936,120 S * 11/2021 Minibaev D15/146
D952,009 S * 5/2022 Ai D32/70
2008/0196836 A1 * 8/2008 Woods B30B 15/047
156/367
2015/0283776 A1 * 10/2015 Robinson B41F 16/02
156/367

* cited by examiner

Primary Examiner — Nathaniel D. Buckner
(74) *Attorney, Agent, or Firm* — Jeenam Park

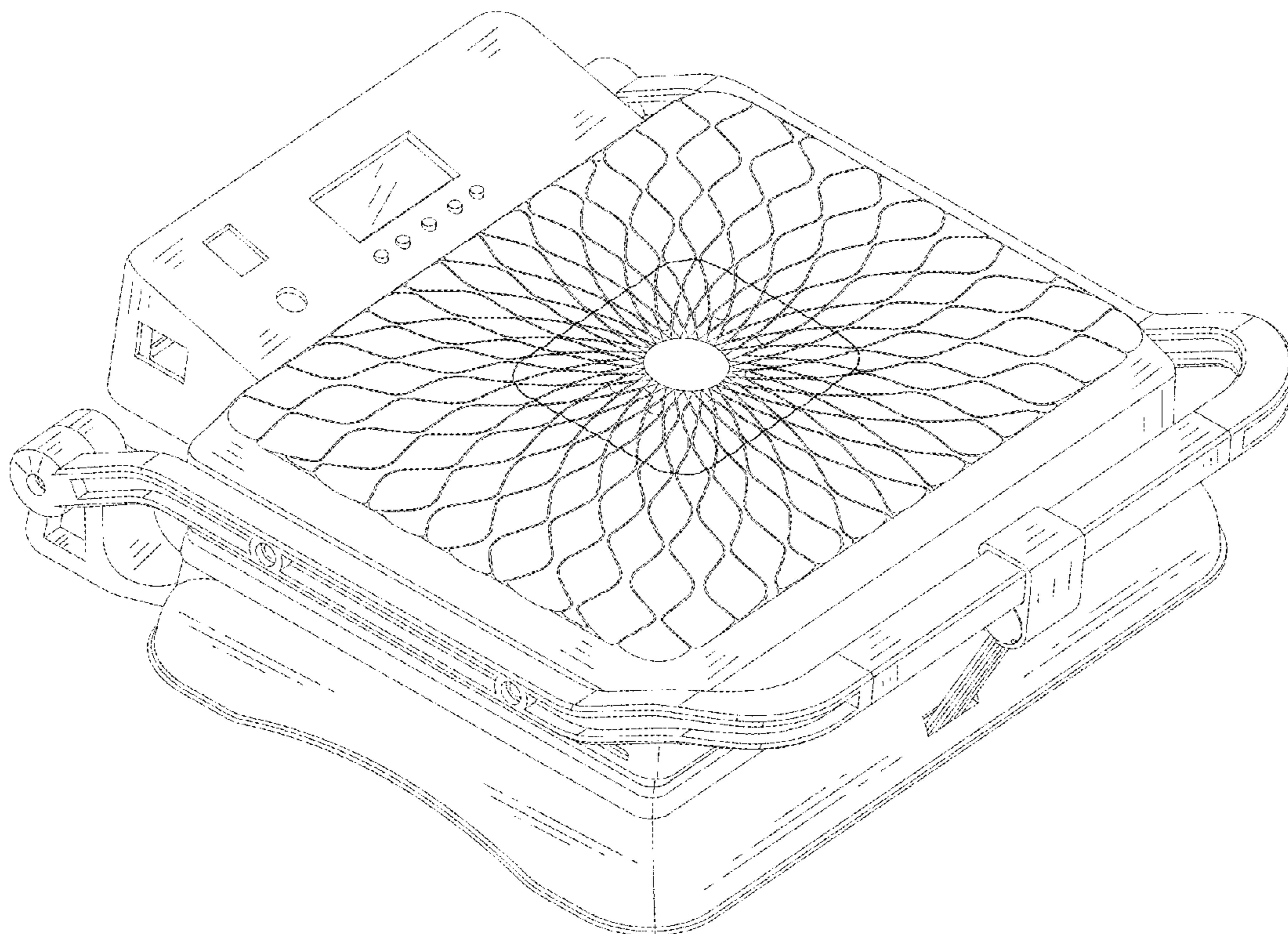
(57) **CLAIM**

The ornamental design for a hot stamping machine, as shown and described.

DESCRIPTION

FIG. 1 is a perspective view of a hot stamping machine showing my new design;
FIG. 2 is a front elevational view thereof;
FIG. 3 is a rear elevational view thereof;
FIG. 4 is a left elevational view thereof;
FIG. 5 is a right elevational view thereof;
FIG. 6 is a top plan view thereof; and,
FIG. 7 is a bottom plan view thereof.
The broken lines in the drawings illustrate portions of the hot stamping machine that form no part of the claimed design.

1 Claim, 7 Drawing Sheets



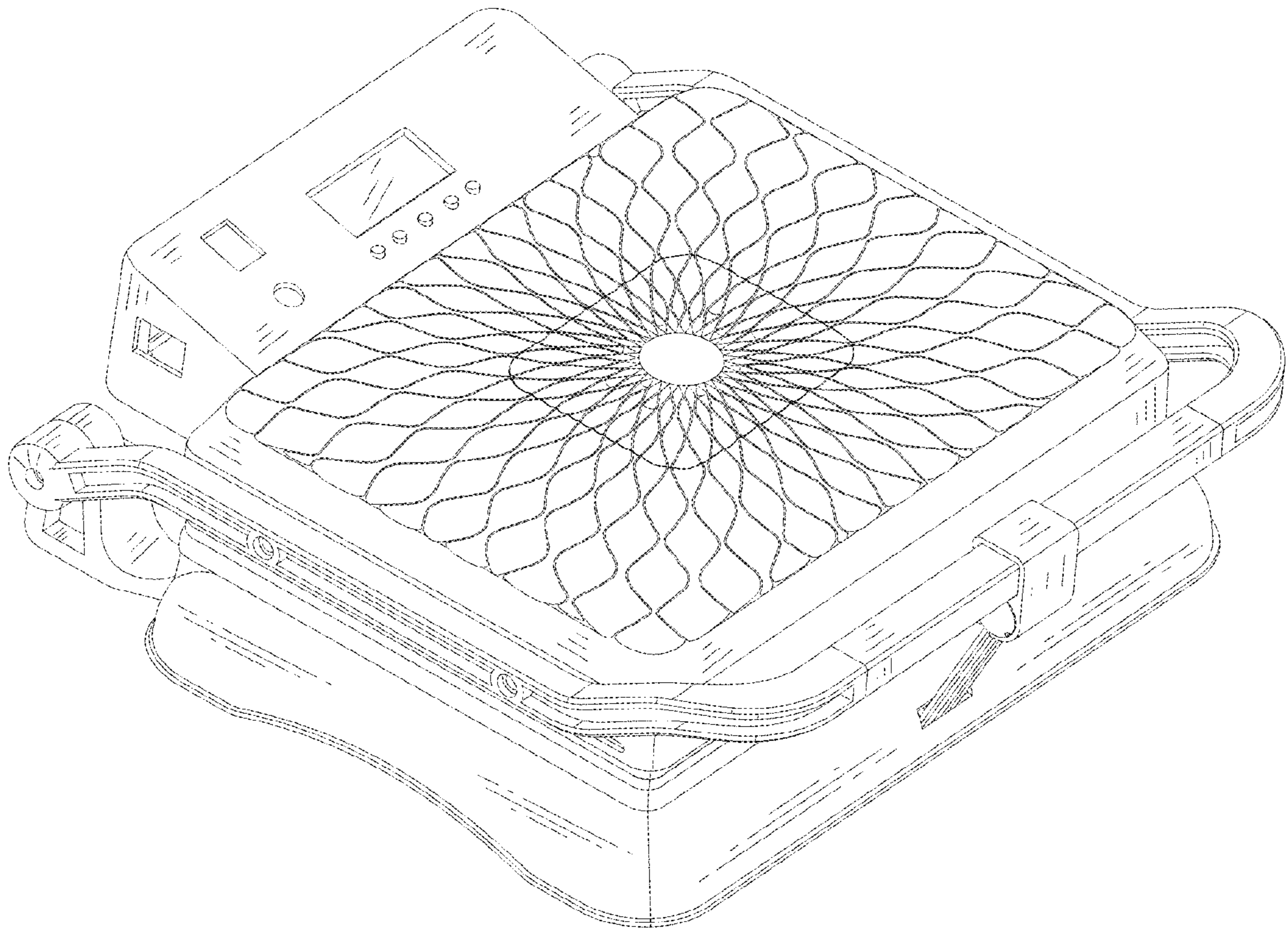


FIG. 1

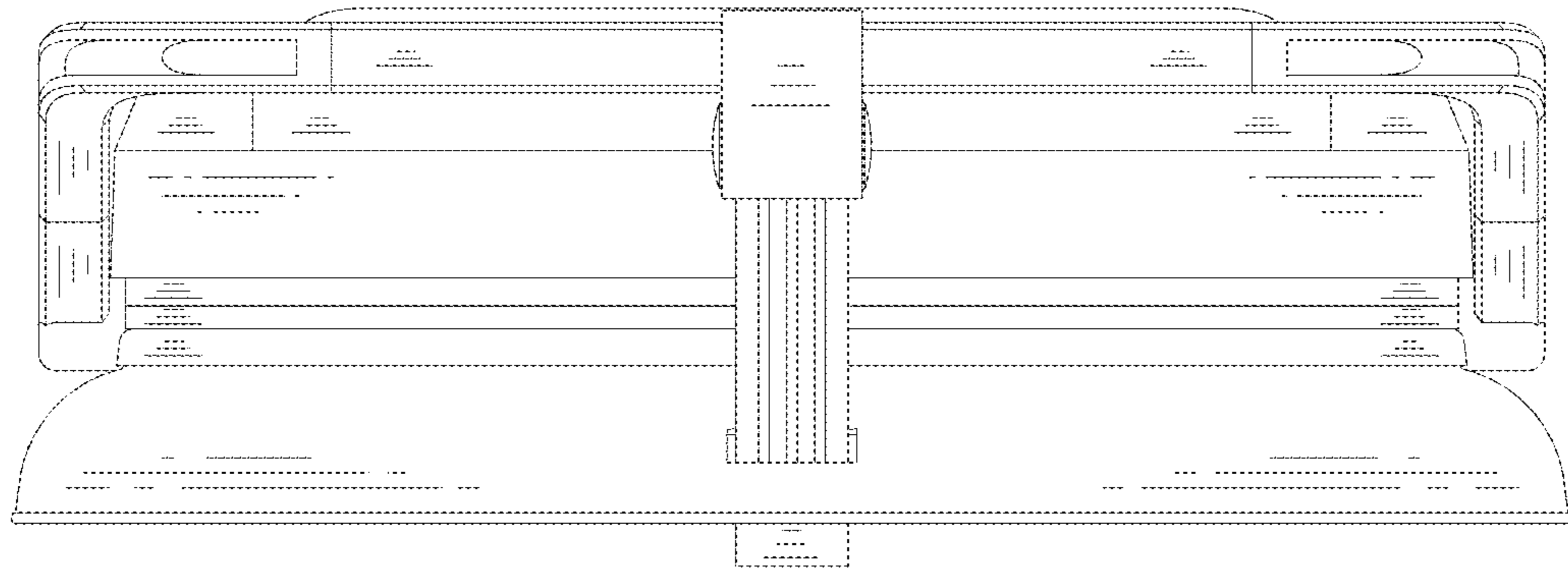


FIG. 2

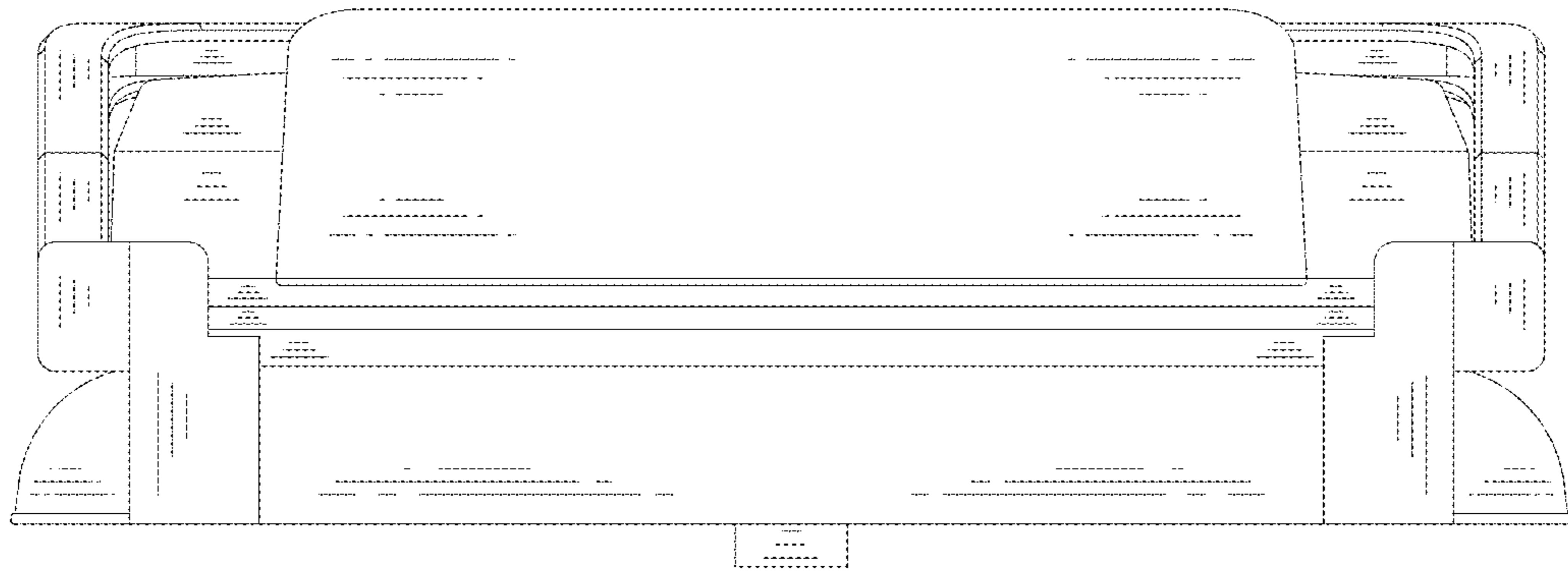


FIG. 3

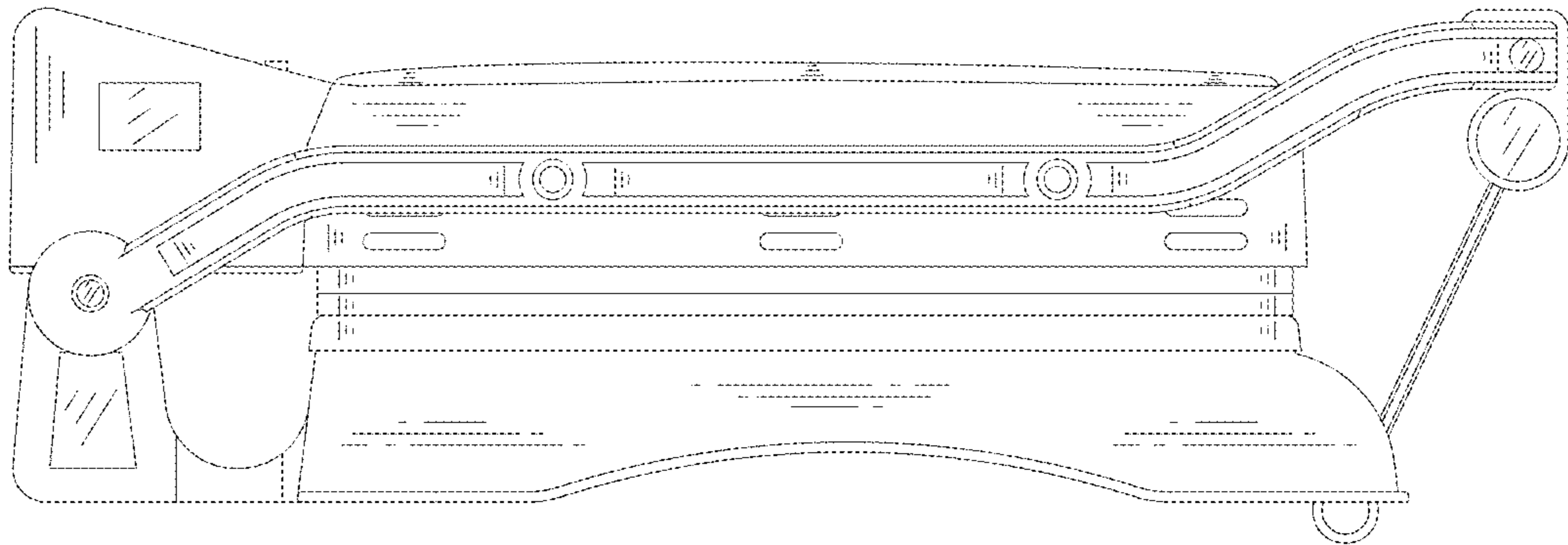


FIG. 4

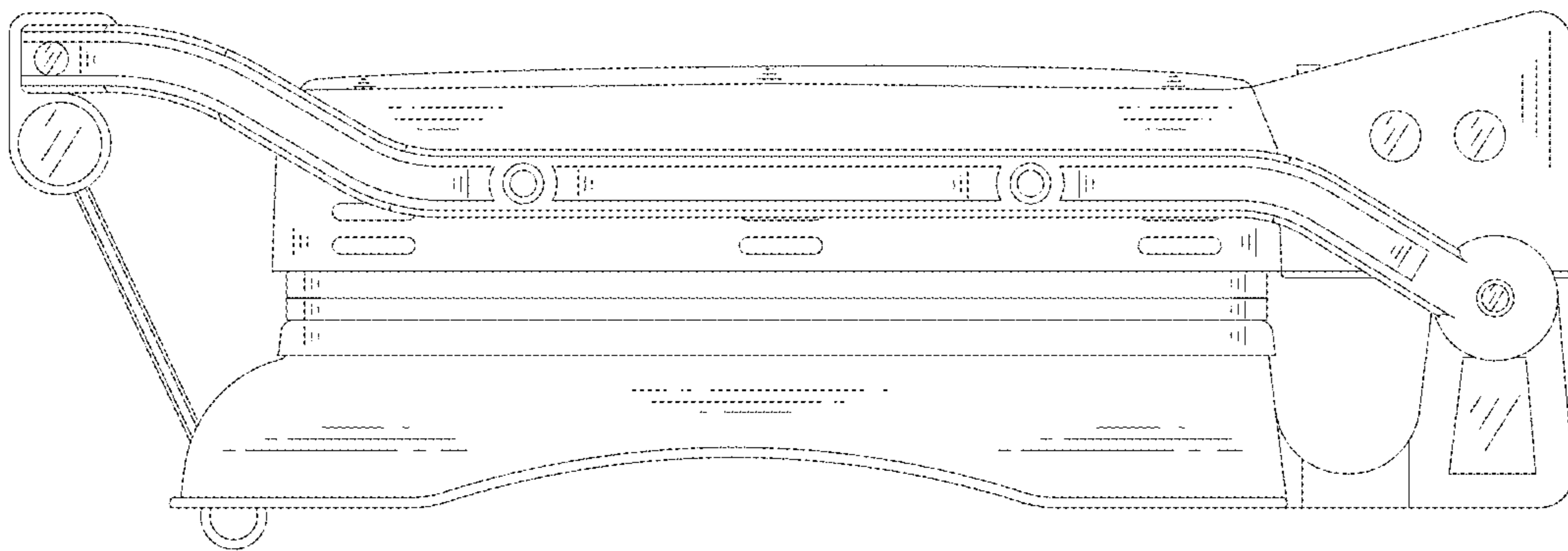


FIG. 5

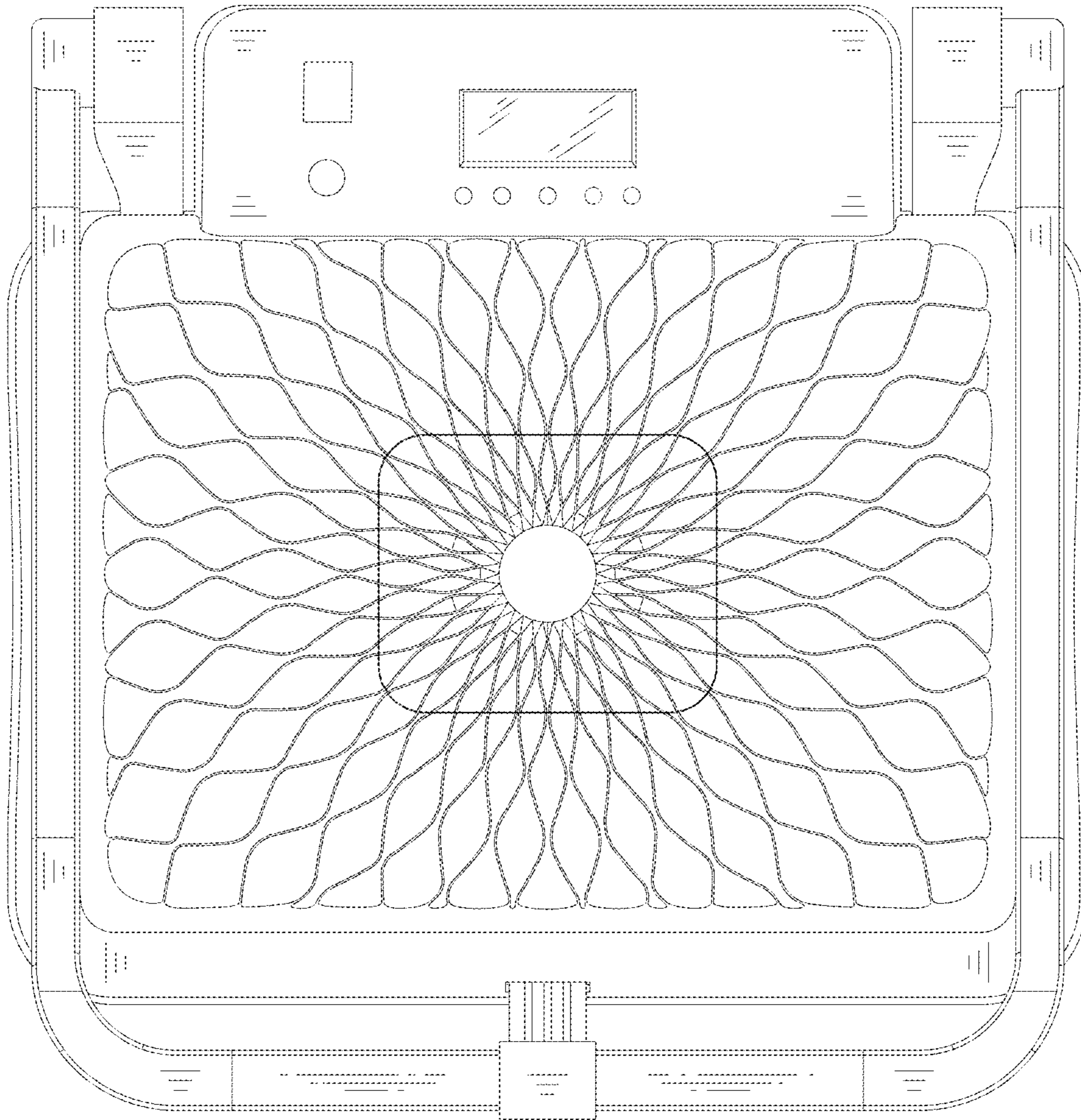


FIG. 6

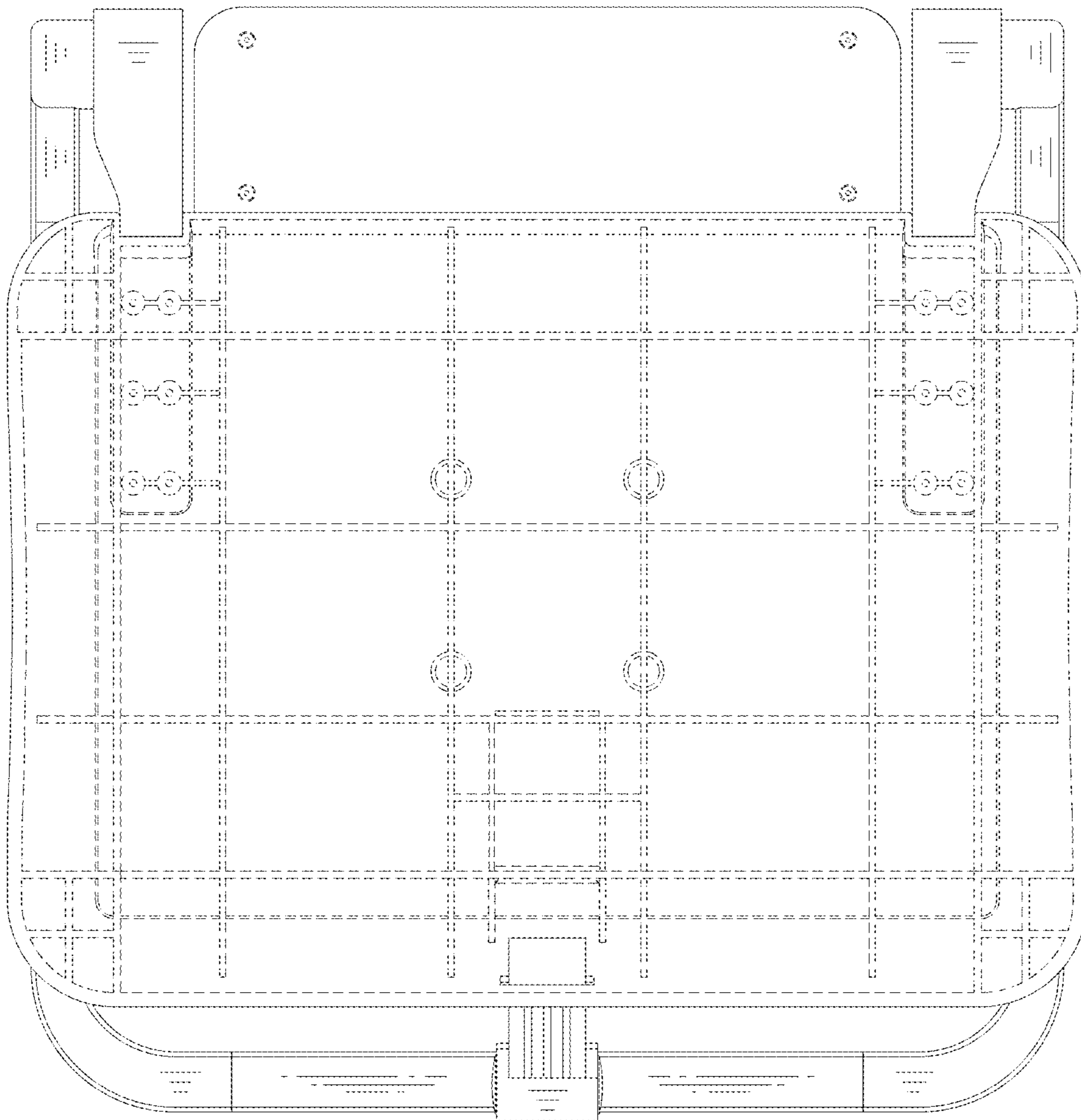


FIG. 7