



US00D974415S

(12) **United States Design Patent** (10) **Patent No.:** **US D974,415 S**
Nelson et al. (45) **Date of Patent:** **** Jan. 3, 2023**

(54) **FUEL TANK**

(71) Applicant: **EXMARK MANUFACTURING COMPANY, INCORPORATED**,
Beatrice, NE (US)

(72) Inventors: **Kevin James Nelson**, Lincoln, NE (US); **Jonathan Stuart Guarneri**,
Lincoln, NE (US)

(73) Assignee: **EXMARK MANUFACTURING COMPANY INCORPORATED**,
Beatrice, NE (US)

(**) Term: **15 Years**

(21) Appl. No.: **29/763,699**

(22) Filed: **Dec. 23, 2020**

(51) **LOC (14) Cl.** **15-03**

(52) **U.S. Cl.**
USPC **D15/28; D12/218**

(58) **Field of Classification Search**
CPC B60K 15/03; B60K 15/073; B60K 15/03177; B60K 15/04; B60K 15/03306;
(Continued)

(56) **References Cited**

U.S. PATENT DOCUMENTS

3,552,596 A 1/1971 Landon
3,881,457 A 5/1975 Benner et al.
(Continued)

FOREIGN PATENT DOCUMENTS

WO 2017/214467 12/2017

Primary Examiner — Mark A Goodwin

(74) *Attorney, Agent, or Firm* — Mueting Raasch Group

(57) **CLAIM**

The ornamental design for a fuel tank, as shown and described.

DESCRIPTION

FIG. 1 is a left front perspective view of a fuel tank in accordance with the claimed design and shown attached to a grounds maintenance vehicle;
FIG. 2 is a left rear perspective view of the design of FIG. 1 and shown attached to the grounds maintenance vehicle;
FIG. 3 is a left front perspective view of the design of FIG. 1;
FIG. 4 is a left rear perspective view of the design of FIG. 1;
FIG. 5 is a front elevation view of the design of FIG. 1;
FIG. 6 is a rear elevation view of the design of FIG. 1;
FIG. 7 is a left side elevation view of the design of FIG. 1;
FIG. 8 is a top plan view of the design of FIG. 1; and,
FIG. 9 is a bottom plan view of the design of FIG. 1.
The right side elevation view of the embodiment illustrated is not shown and forms no part of the claimed design.
The ornamental design also includes the mirror image of the embodiment illustrated.

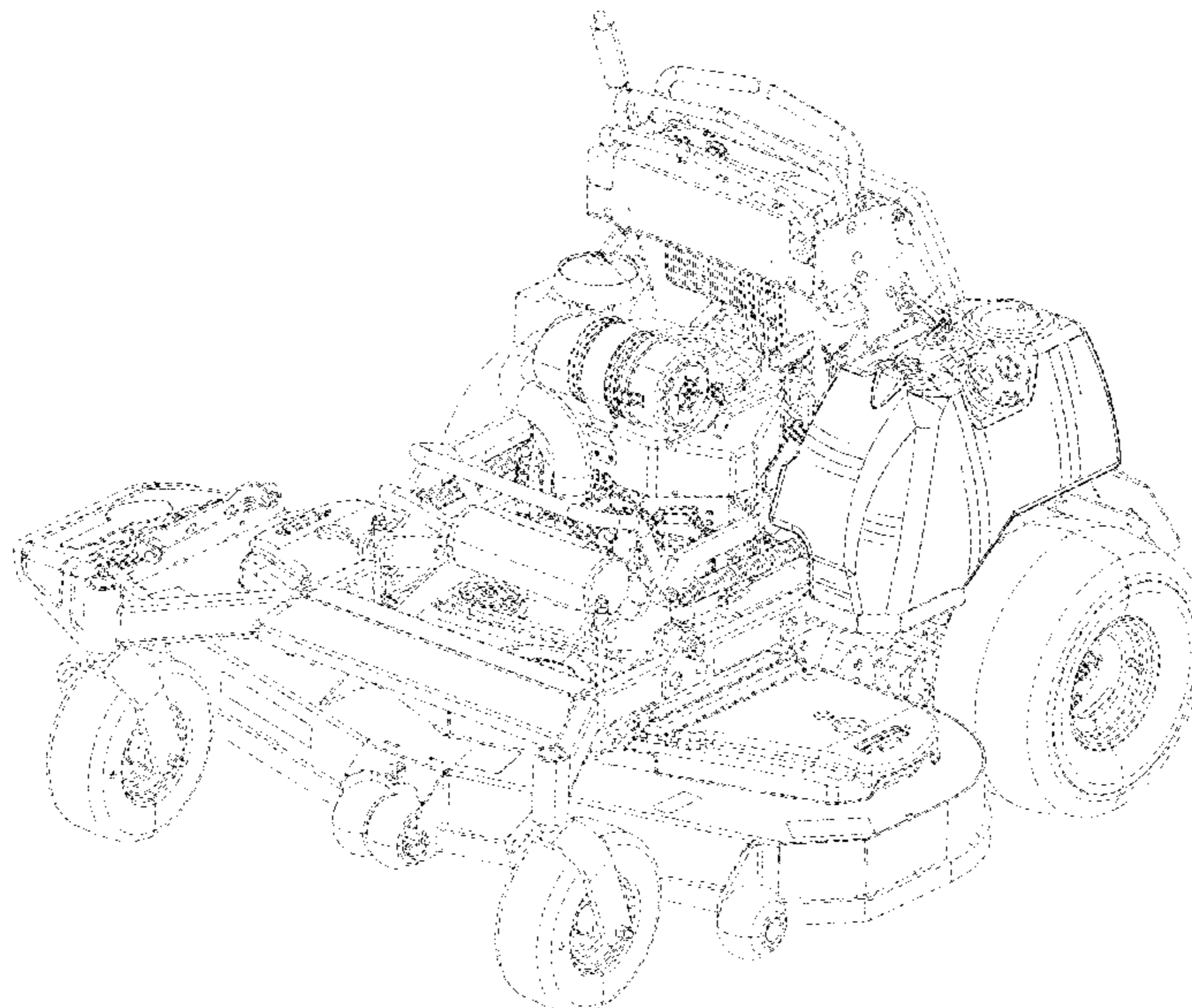
The dash-dash broken lines in the figures represent unclaimed subject matter and form no part of the claimed design.

The dot-dash broken lines in the figures immediately adjacent solid lines represent a boundary between claimed and unclaimed subject matter and form no part of the claimed design.

The labels used herein to describe orientation (e.g., top, bottom, left, right) are merely for reference and are not intended to limit the interpretation of the design.

Applicant reserves the right to convert: a portion or portions of any of the broken lines to solid lines such that the features described by those lines then form a part of the claimed design; and/or a portion or portions of any of the solid lines to broken lines such that the features described by those lines no longer form part of the claimed design.

1 Claim, 9 Drawing Sheets



(58) **Field of Classification Search**
 CPC B60K 2015/03118; B60K 2015/03493;
 B60Y 2200/223
 See application file for complete search history.

(56) **References Cited**

U.S. PATENT DOCUMENTS

4,453,564 A 6/1984 Bergesio
 4,526,286 A 7/1985 Jung et al.
 4,708,170 A 11/1987 Bailey
 5,127,432 A 7/1992 Duhaime et al.
 5,258,159 A 11/1993 Freeman et al.
 5,344,038 A 9/1994 Freeman et al.
 5,398,839 A 3/1995 Kleyn
 D433,425 S * 11/2000 Surridge D15/28
 D441,710 S * 5/2001 Moehle D12/218
 6,896,293 B2 5/2005 Philipps et al.
 D562,350 S * 2/2008 Higashikawa D15/28
 8,047,310 B2 11/2011 Kallevig
 D656,520 S * 3/2012 Ortlund D12/218
 8,813,780 B2 8/2014 Scheffler et al.
 8,840,976 B2 9/2014 Larson et al.
 D728,632 S * 5/2015 Klassen D15/28

D728,633 S * 5/2015 Klassen D15/28
 9,278,616 B2 3/2016 Kopiec
 9,446,661 B2 9/2016 Kawano et al.
 D772,773 S * 11/2016 Andersen D15/28
 9,676,274 B2 6/2017 Pearce et al.
 D792,479 S * 7/2017 Sasaki D15/28
 D803,756 S * 11/2017 Andersen D15/28
 10,023,322 B2 7/2018 Keefer et al.
 D837,720 S * 1/2019 Schwalbe D15/28
 D837,835 S * 1/2019 Schwalbe D15/28
 10,701,859 B2 7/2020 Bryant et al.
 10,729,073 B2 8/2020 Bryant et al.
 10,815,915 B2 10/2020 Andre et al.
 D909,276 S * 2/2021 Monell D12/218
 10,952,378 B2 3/2021 Bryant et al.
 2004/0168654 A1 9/2004 Radtke
 2006/0151505 A1 7/2006 Kobayashi
 2008/0302805 A1 * 12/2008 Komorida B60K 15/077
 137/455
 2019/0357429 A1 11/2019 Andre et al.
 2020/0282826 A1 9/2020 Moore
 2020/0344946 A1 11/2020 Bryant et al.
 2020/0346689 A1 11/2020 Moore
 2020/0346695 A1 11/2020 Bryant et al.

* cited by examiner

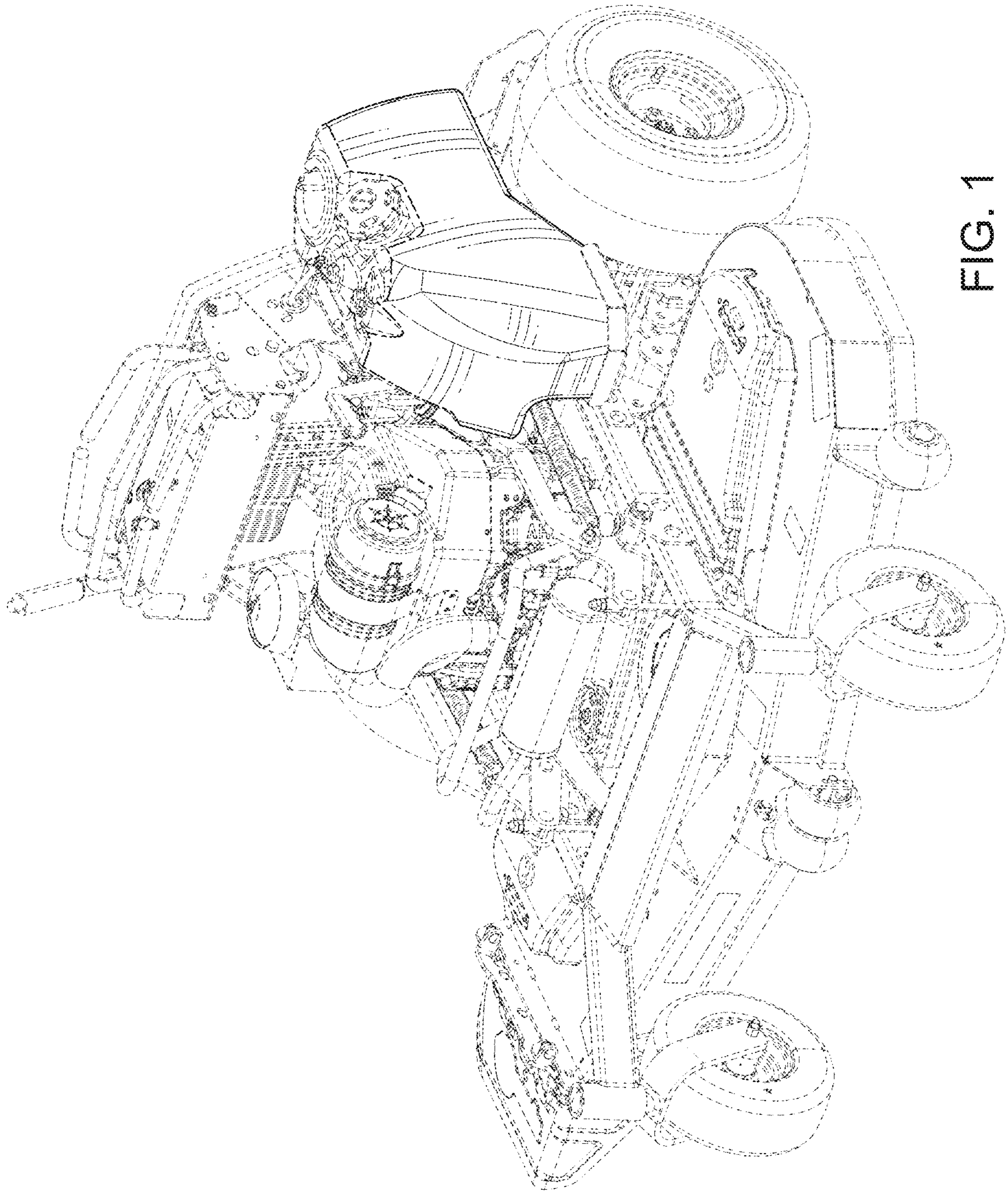


FIG. 1

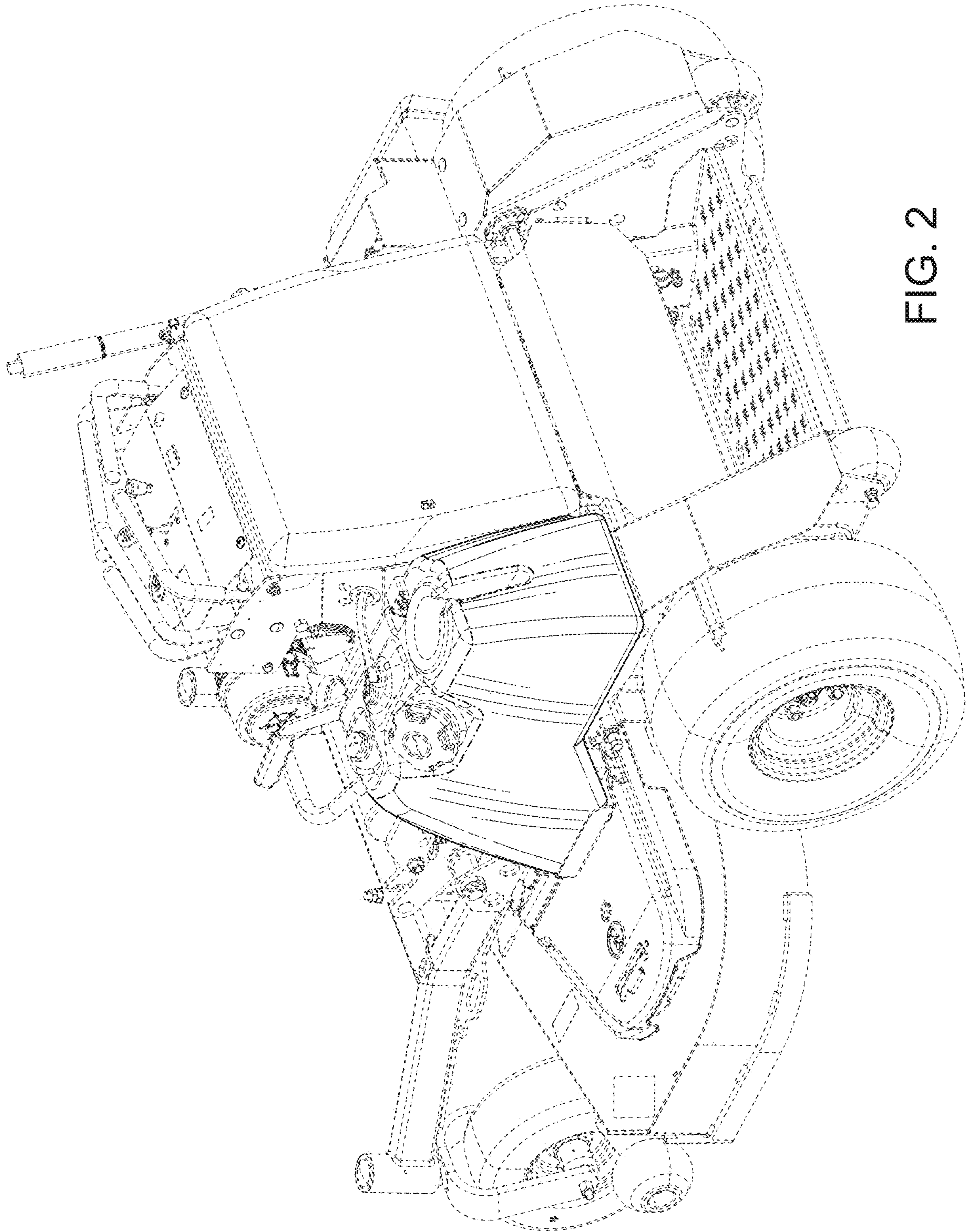


FIG. 2

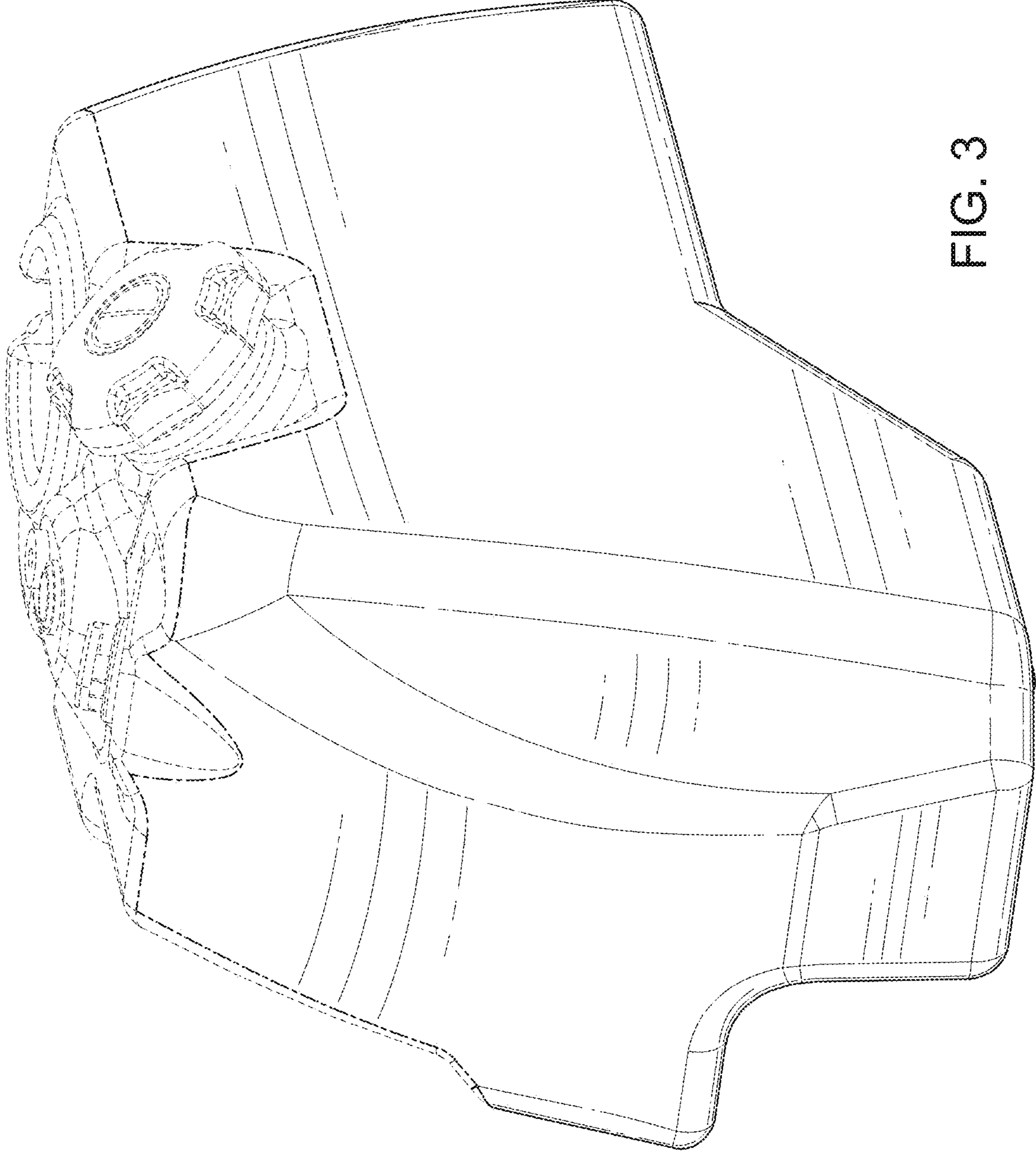


FIG. 3

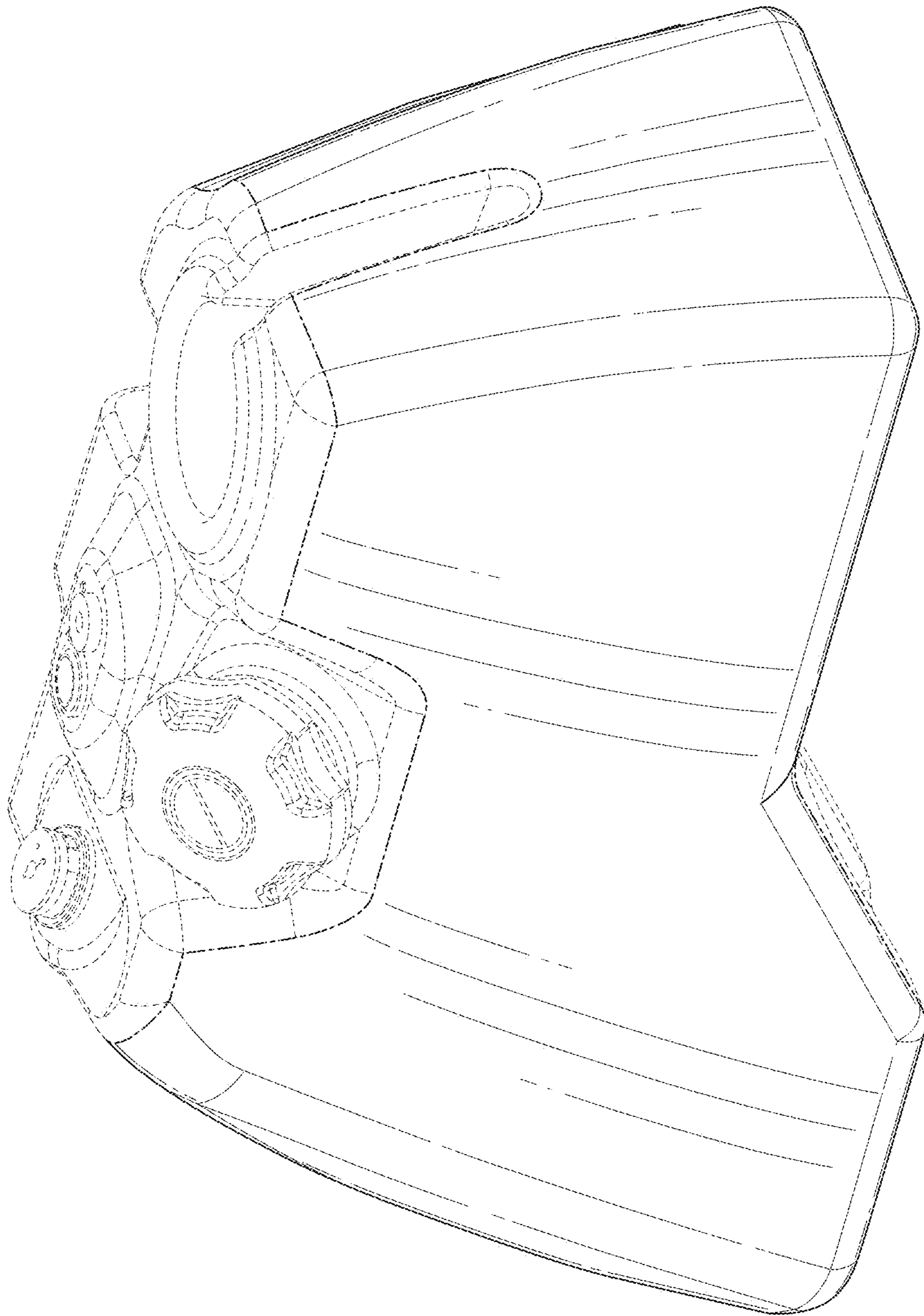


FIG. 4

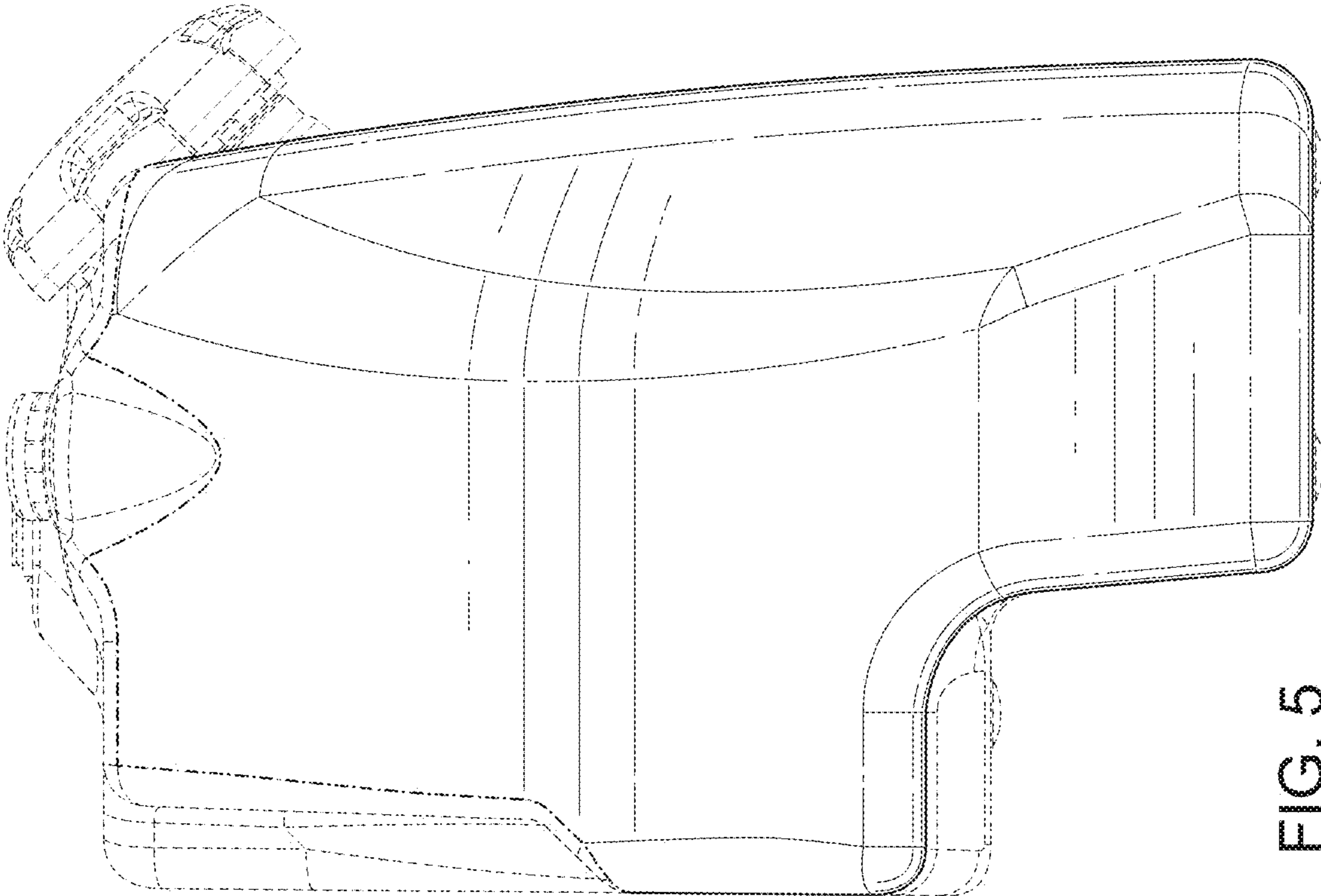


FIG. 5

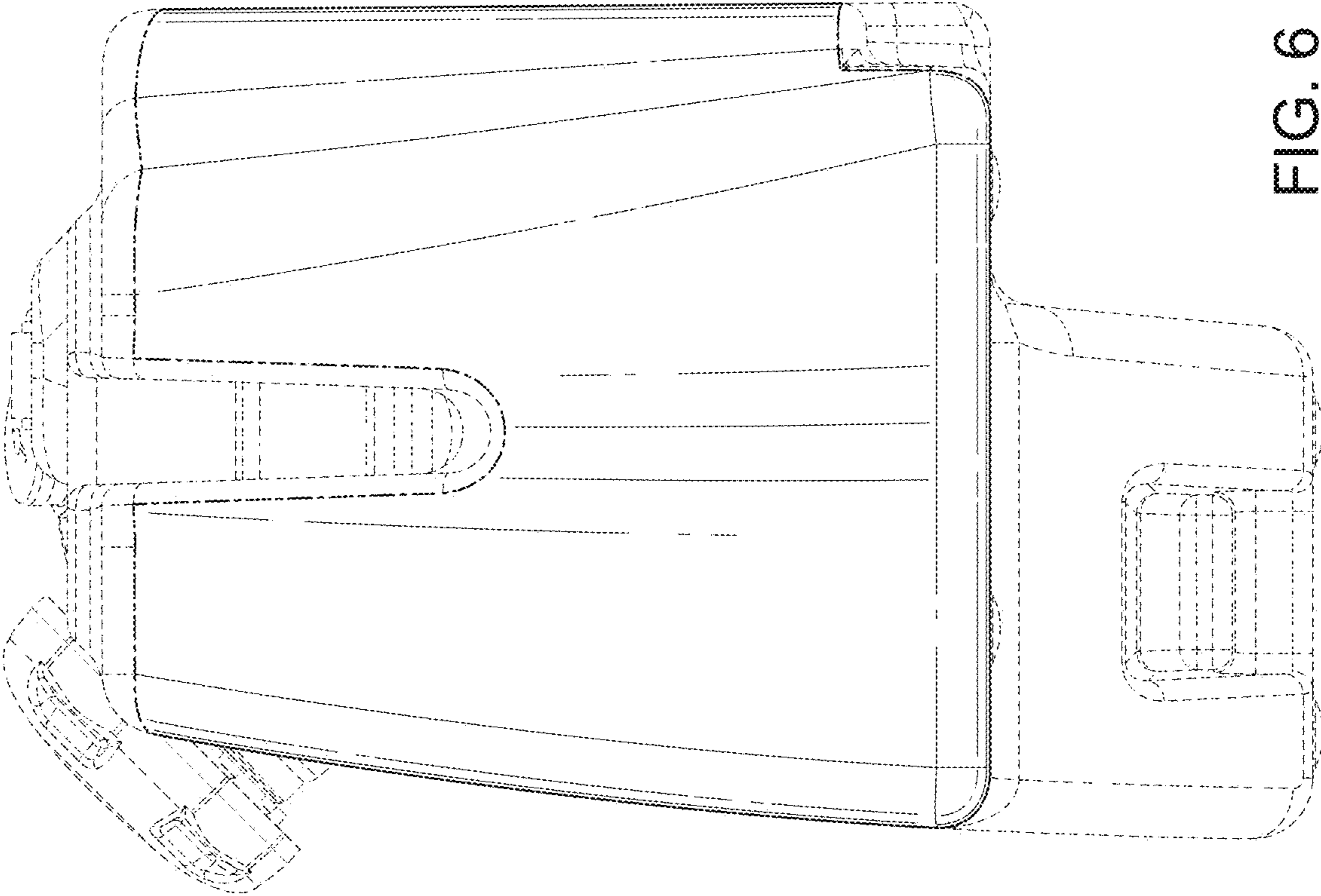


FIG. 6

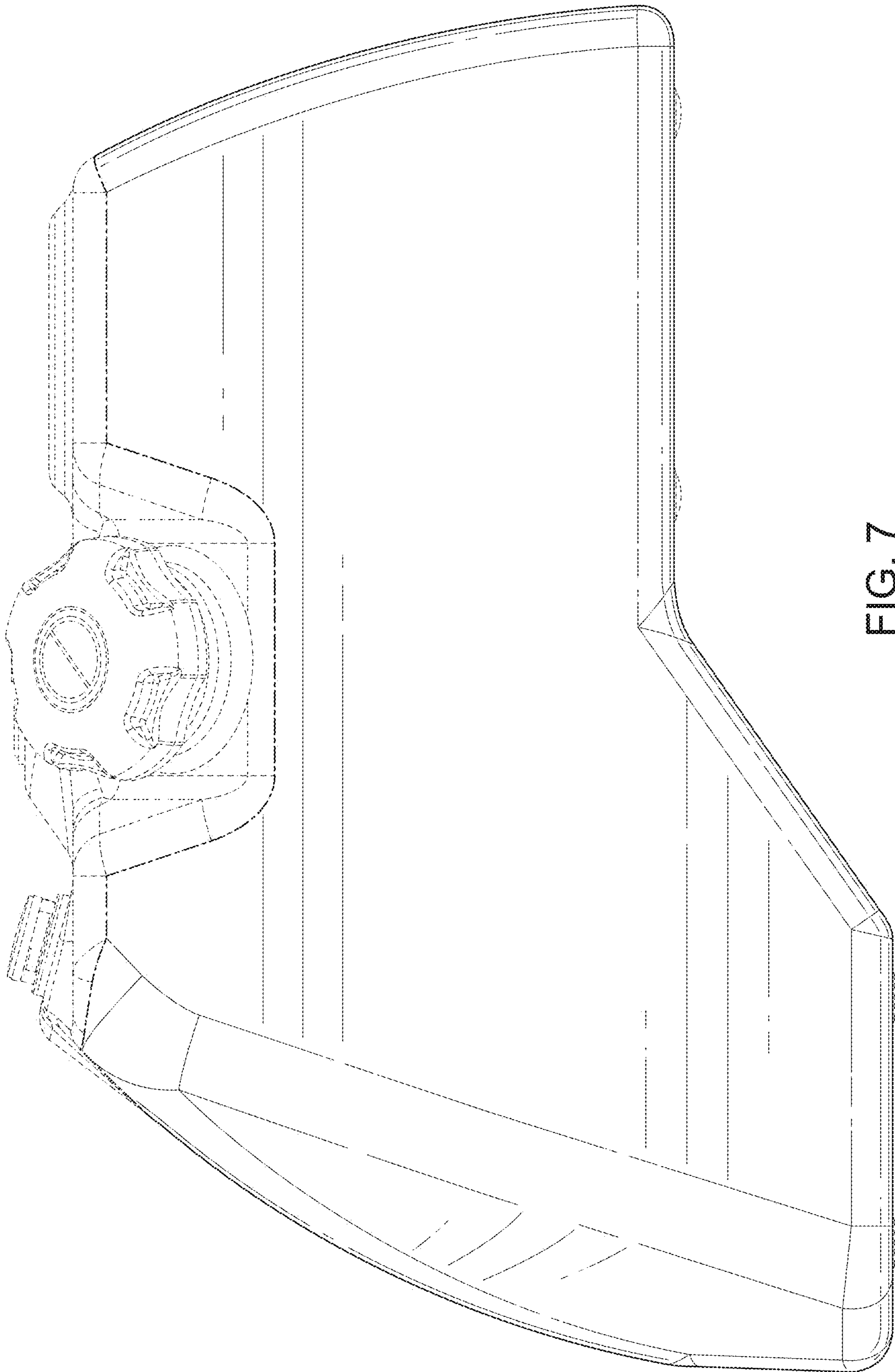


FIG. 7

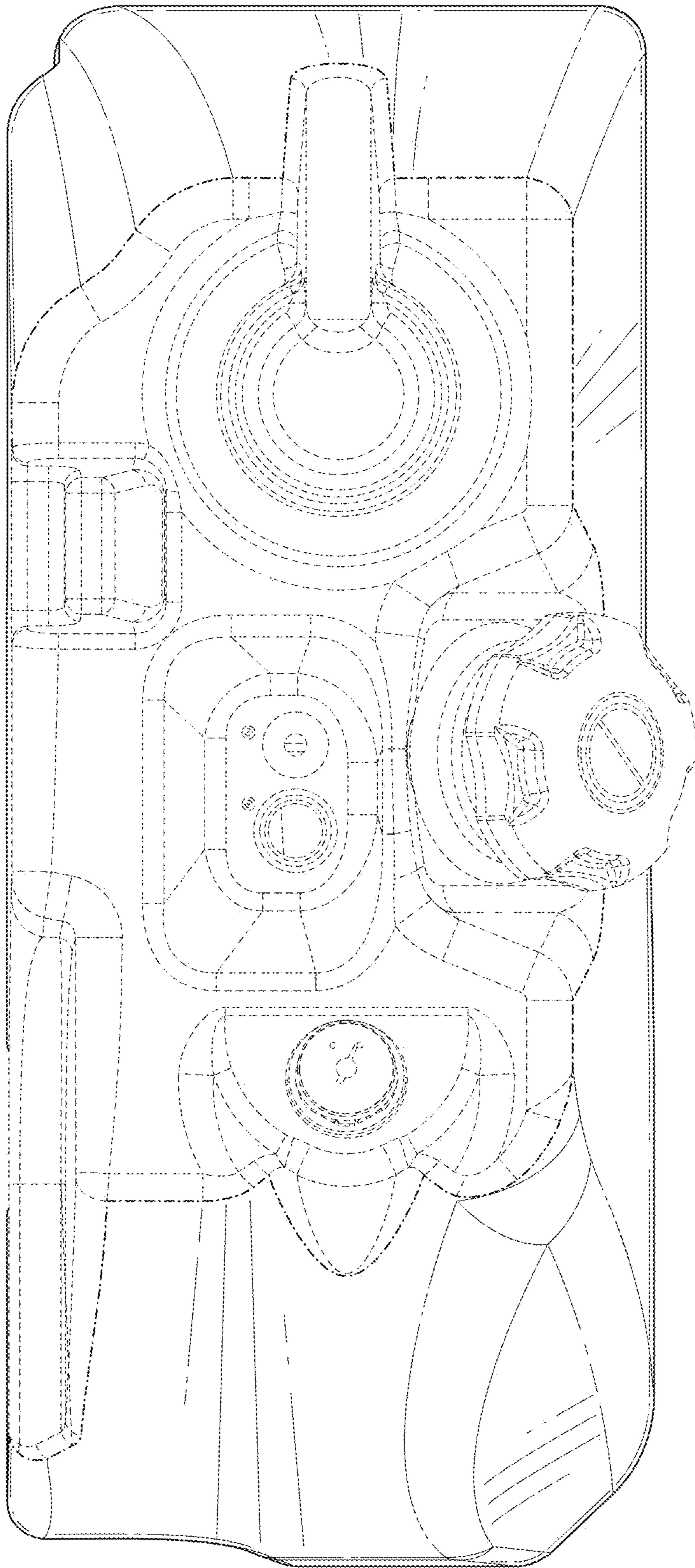


FIG. 8

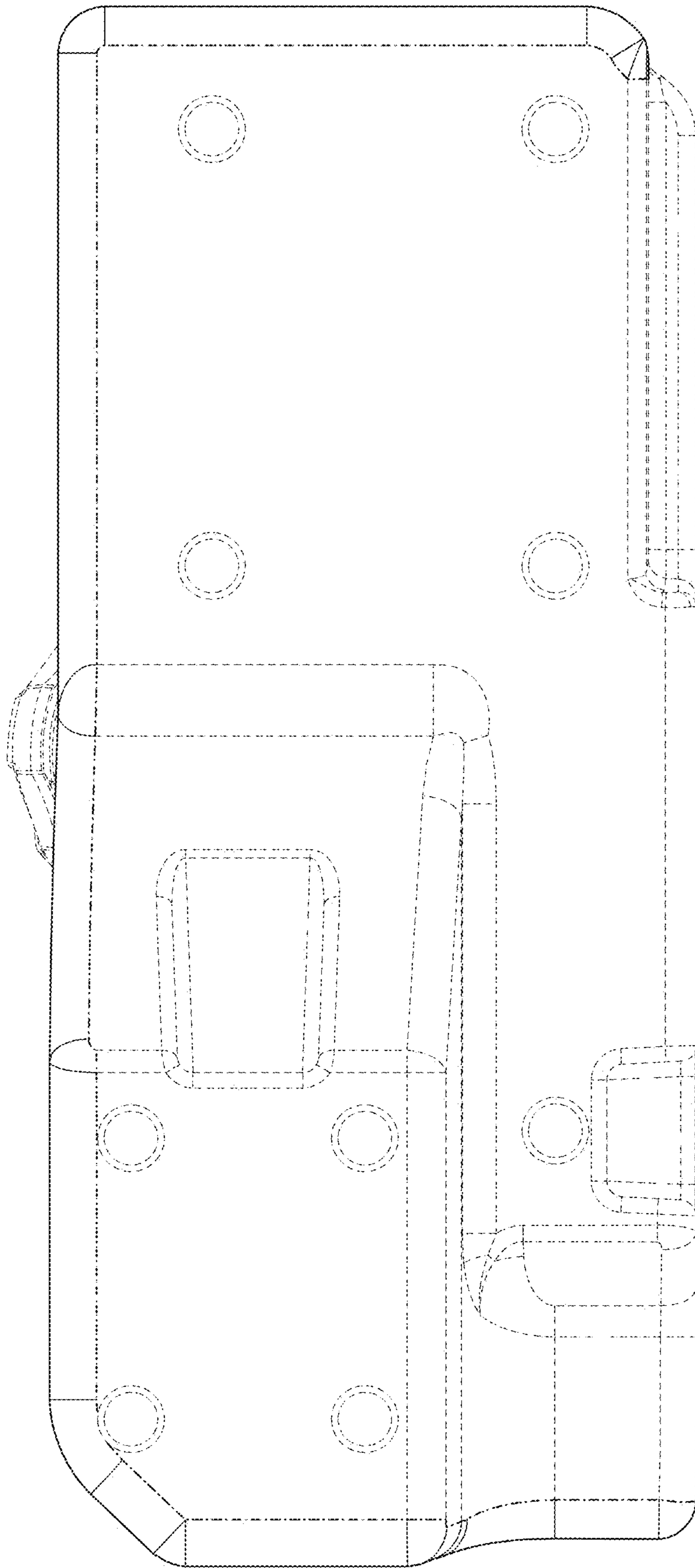


FIG. 9