



US00D974414S

(12) **United States Design Patent**
Nishiguchi et al.

(10) **Patent No.:** **US D974,414 S**
(45) **Date of Patent:** **** Jan. 3, 2023**

- (54) **FORESTRY MACHINE**
- (71) Applicant: **Caterpillar SARL**, Geneva (CH)
- (72) Inventors: **Tetsuo Nishiguchi**, Akashi (JP); **Tetsuji Takaoka**, Akashi (JP); **Kazumasa Matsumura**, Akashi (JP); **Yoshitaka Uchiyama**, Akashi (JP); **Kengo Hashimoto**, Kobe (JP)
- (73) Assignee: **Caterpillar SARL**, Geneva (CH)
- (**) Term: **15 Years**

- D591,773 S 5/2009 Ueta et al.
- D631,067 S 1/2011 Nishimura et al.
- D658,211 S 4/2012 Hiraoka et al.
- D663,324 S 7/2012 Fuchita et al.
- D663,751 S 7/2012 Yogita et al.
- D677,703 S 3/2013 Hiraoka et al.
- D678,354 S 3/2013 Hiraoka et al.
- D682,322 S 5/2013 Suzuki
- D684,598 S 6/2013 Hagura et al.
- D684,599 S 6/2013 Saito et al.
- D685,394 S 7/2013 Nagata et al.
- D692,464 S 10/2013 Sumitani et al.
- D692,465 S 10/2013 Sumitani et al.
- D695,791 S 12/2013 Hagura et al.
- D707,261 S 6/2014 Caboret et al.

(Continued)

(21) Appl. No.: **29/783,796**

(22) Filed: **May 14, 2021**

(30) **Foreign Application Priority Data**

Nov. 17, 2020 (JP) 2020-024761 D

(51) **LOC (14) Cl.** **15-03**

(52) **U.S. Cl.**
USPC **D15/22**

(58) **Field of Classification Search**
USPC D15/22-26, 28, 30, 31, 33, 10; 180/89.1,
180/89.12, 235, 900, 298, 68.5; 414/685,
414/686, 694, 722, 680, 724, 699;
280/400

CPC A01G 23/093; A01G 23/08
See application file for complete search history.

(56) **References Cited**

U.S. PATENT DOCUMENTS

- D391,272 S 2/1998 Jin et al.
- D437,602 S 2/2001 Hiraoka et al.
- D460,975 S 7/2002 Yanagida et al.
- D508,498 S 8/2005 Shimokakiuchi et al.
- D518,071 S 3/2006 Gwak et al.
- D534,552 S 1/2007 Yanagida
- D575,804 S 8/2008 Murakami et al.
- D590,845 S 4/2009 Ochi et al.

FOREIGN PATENT DOCUMENTS

JP D1580238 7/2017

OTHER PUBLICATIONS

U.S. Appl. No. 29/769,877, filed Feb. 8, 2021 (unpublished).

Primary Examiner — Mark A Goodwin

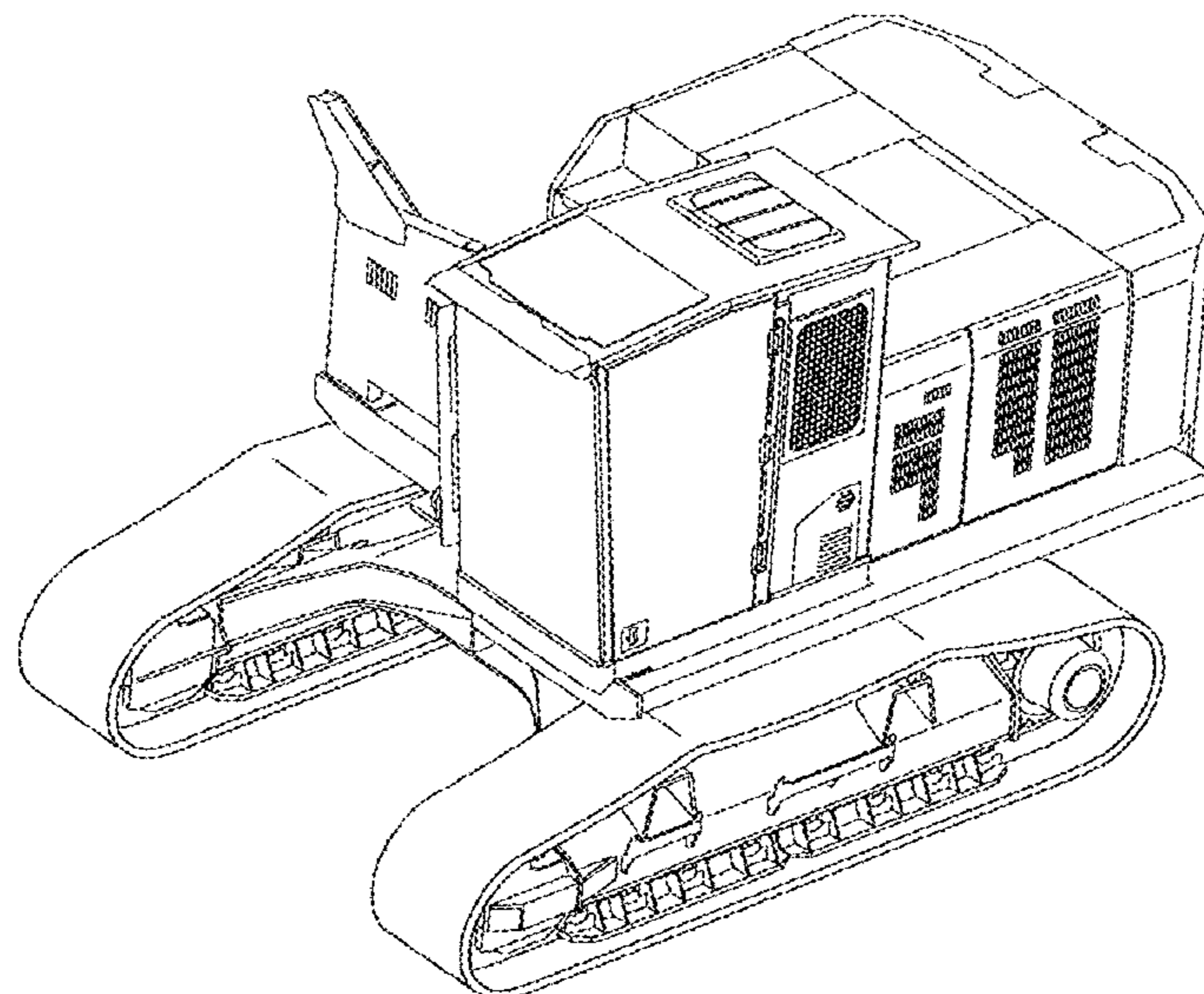
(57) **CLAIM**

The ornamental design for a forestry machine, as shown and described.

DESCRIPTION

FIG. 1 is a front, left perspective view of a forestry machine showing our new design;
 FIG. 2 is a front, right perspective view thereof;
 FIG. 3 is a rear, left perspective view thereof;
 FIG. 4 is a rear, right perspective view thereof;
 FIG. 5 is a front view thereof;
 FIG. 6 is a rear view thereof;
 FIG. 7 is a left side view thereof;
 FIG. 8 is a right side view thereof; and,
 FIG. 9 is a top view thereof.

1 Claim, 9 Drawing Sheets



(56)

References Cited

U.S. PATENT DOCUMENTS

D715,330 S	10/2014	Hutchinson et al.	
D738,403 S	9/2015	Imashige et al.	
D842,344 S	3/2019	Okuyama et al.	
D855,081 S	7/2019	Yoneda et al.	
D875,143 S *	2/2020	Hagura	D15/24
D895,687 S *	9/2020	Phadatare	D15/25
D905,762 S *	12/2020	Phadatare	D15/24
D912,098 S	3/2021	Tanaka et al.	
D912,099 S	3/2021	Manna et al.	
D927,559 S *	8/2021	Shinde	D15/24
D931,907 S *	9/2021	Tanaka	D15/22
D952,003 S *	5/2022	Xue	D15/25

* cited by examiner

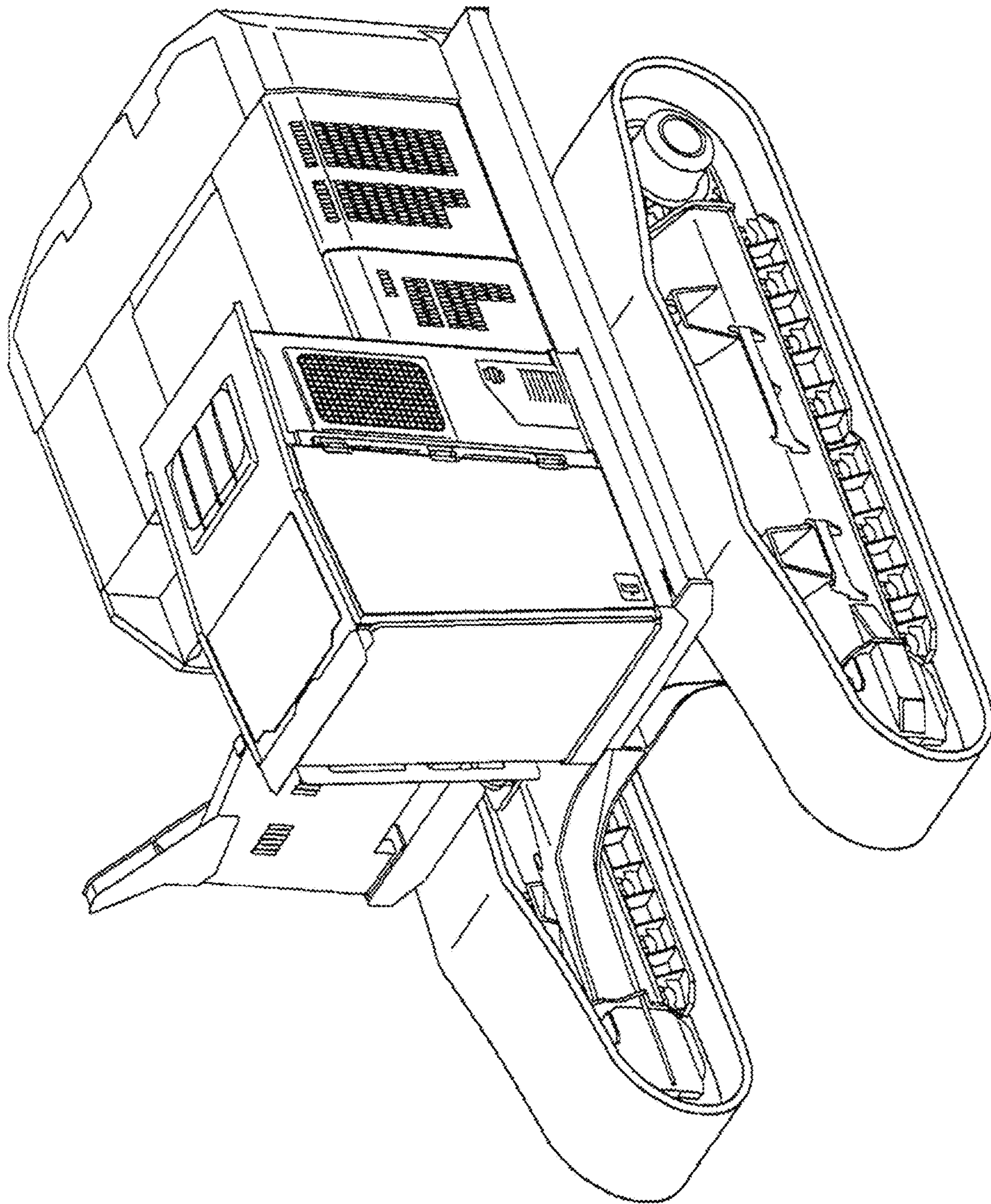


FIG. 1

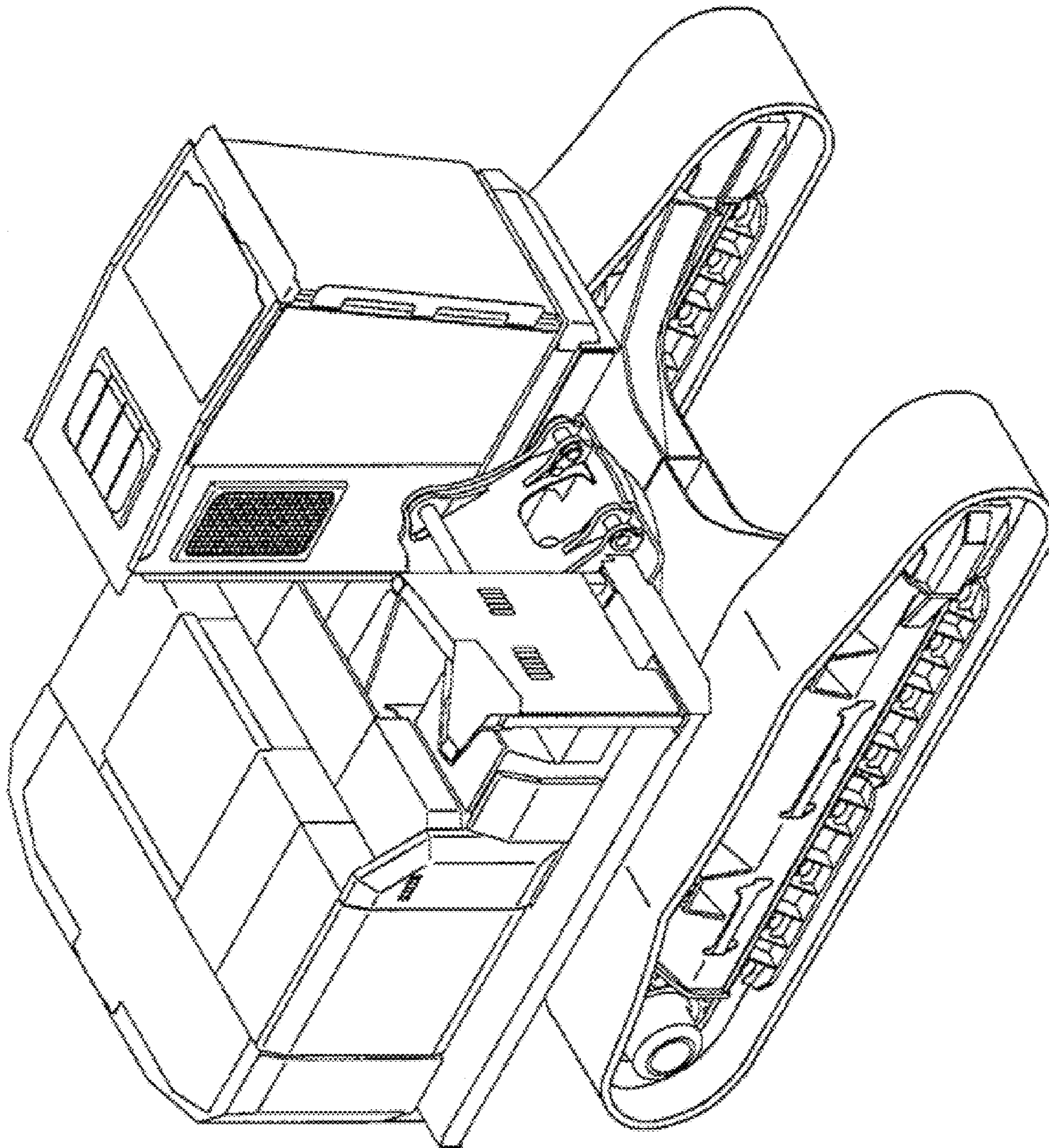


FIG. 2

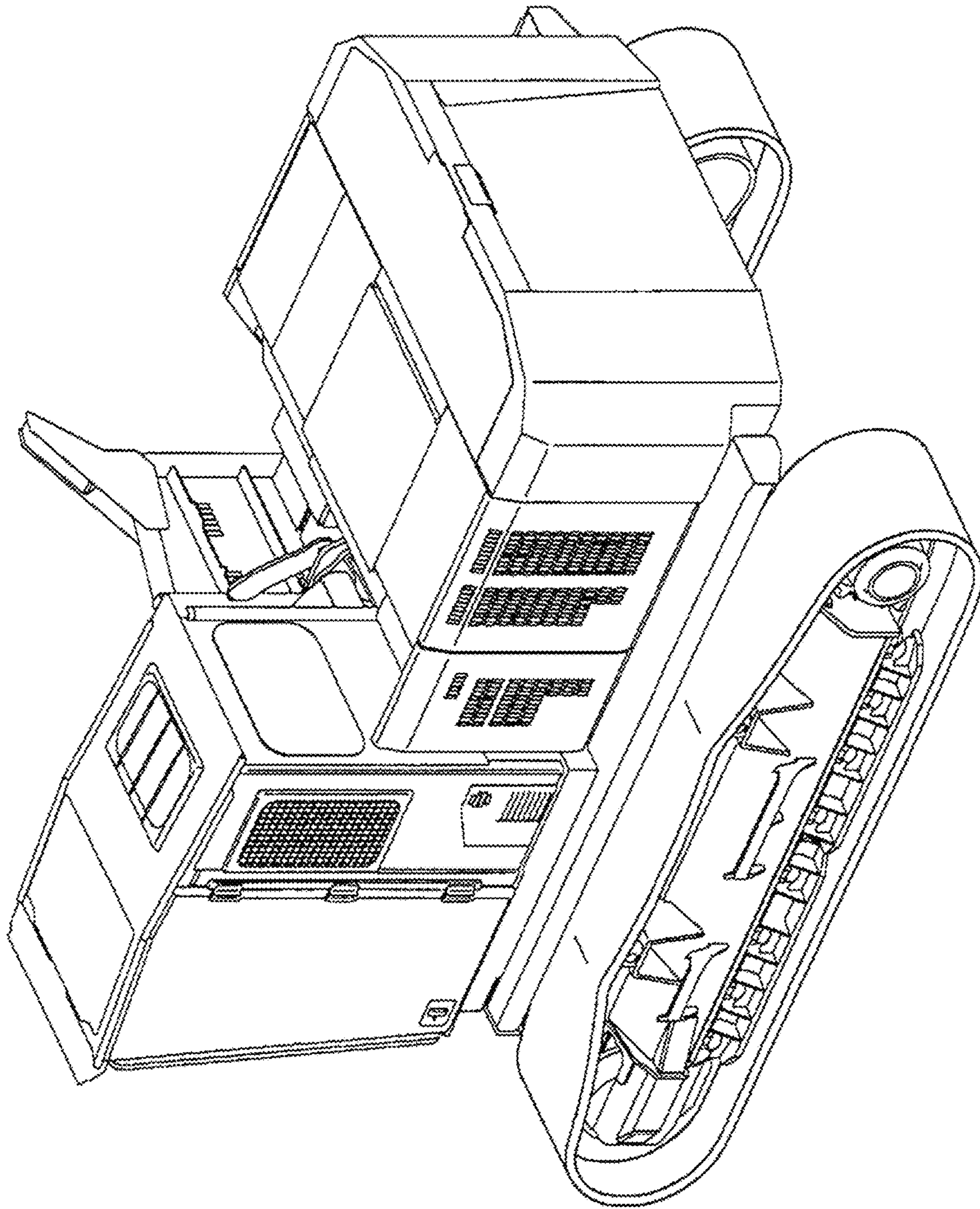


FIG. 3

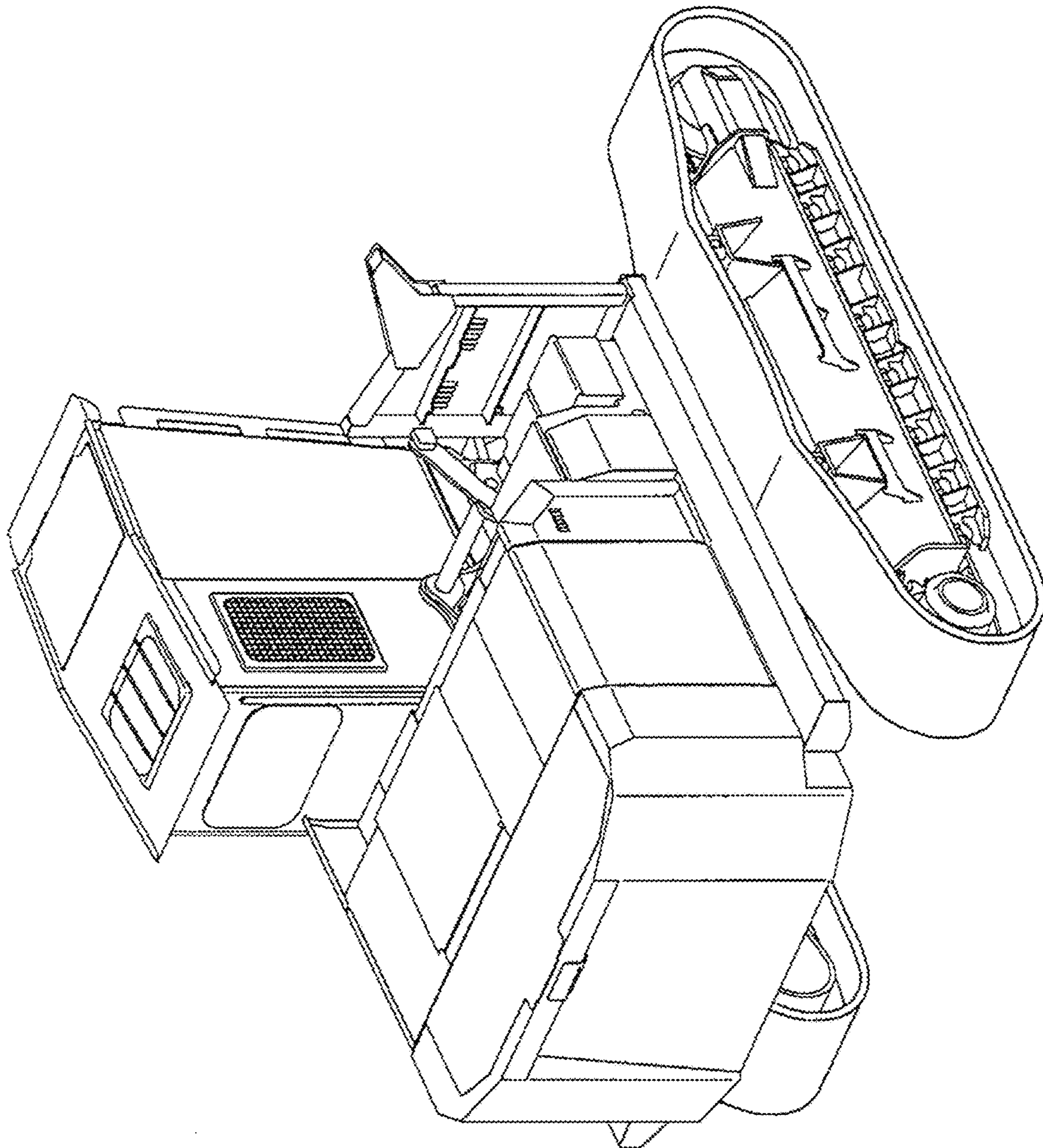


FIG. 4

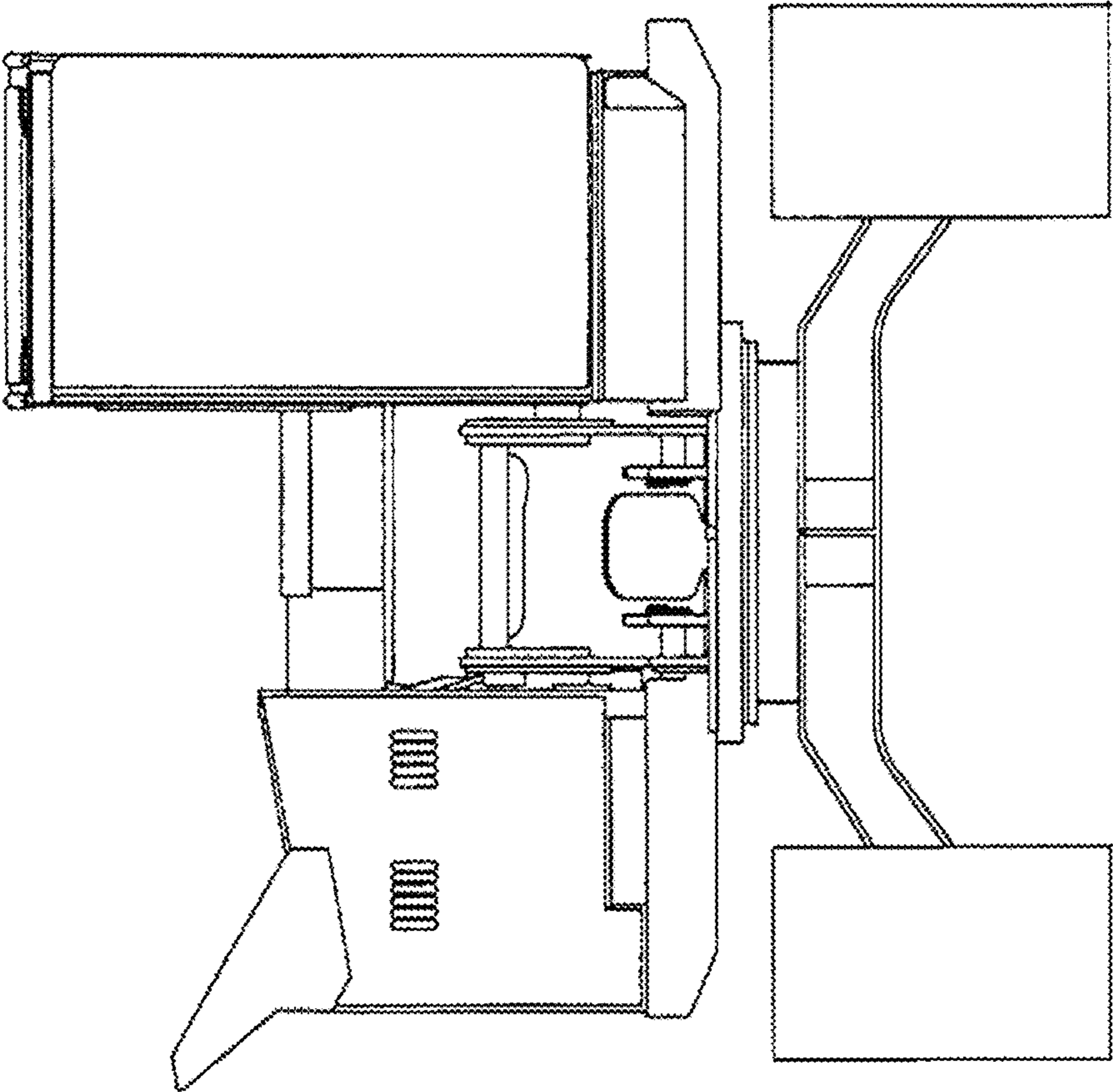


FIG. 5

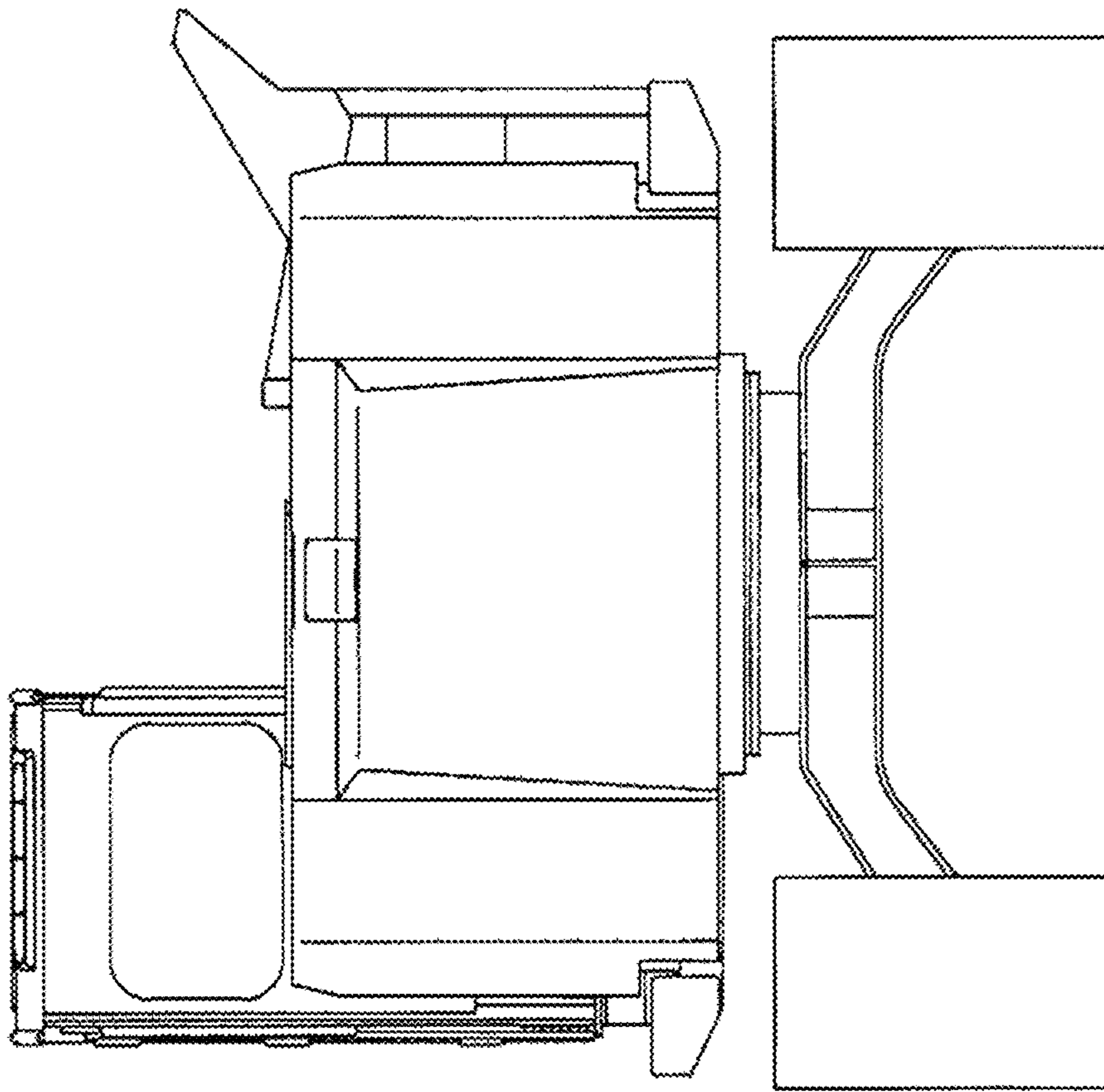


FIG. 6

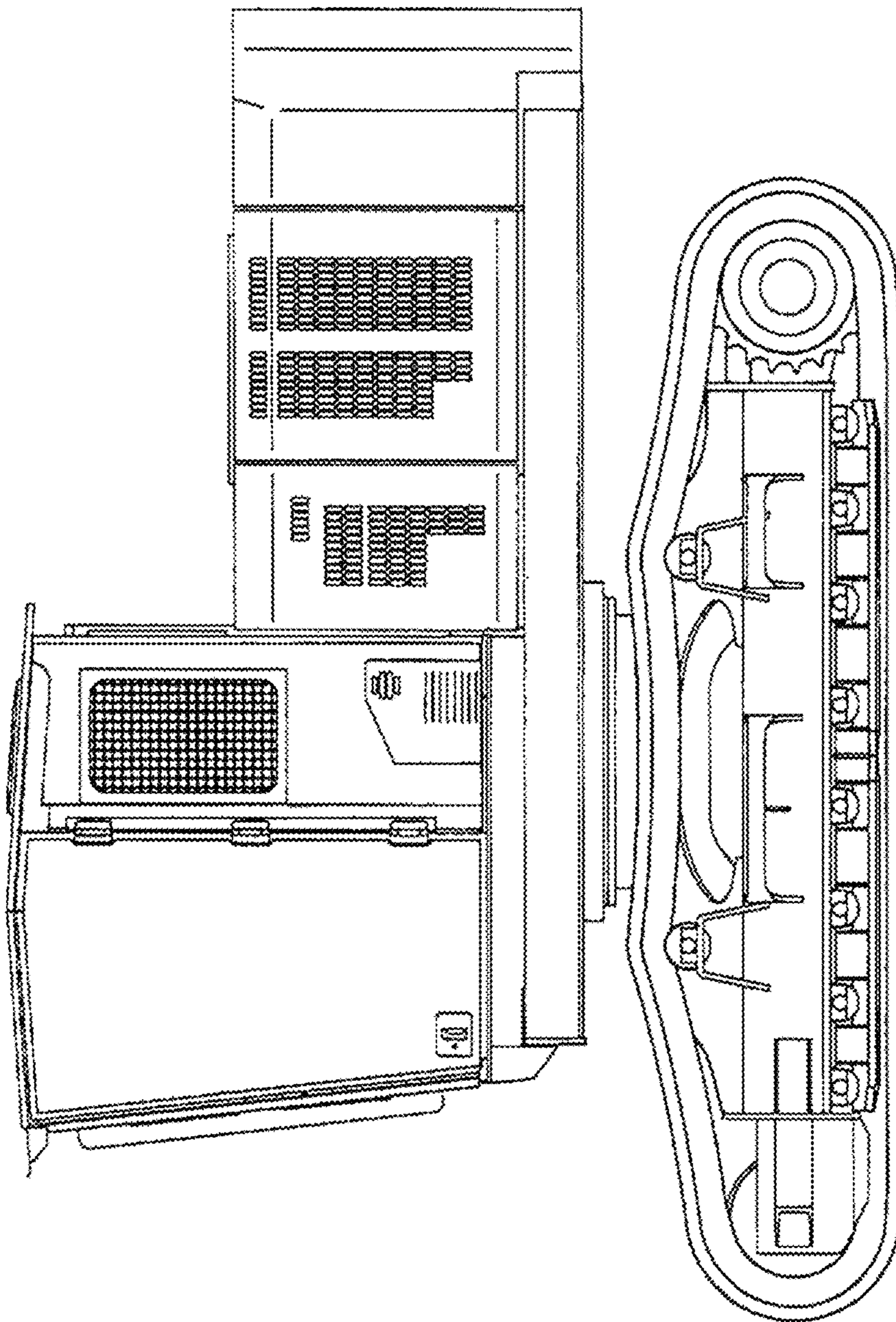


FIG. 7

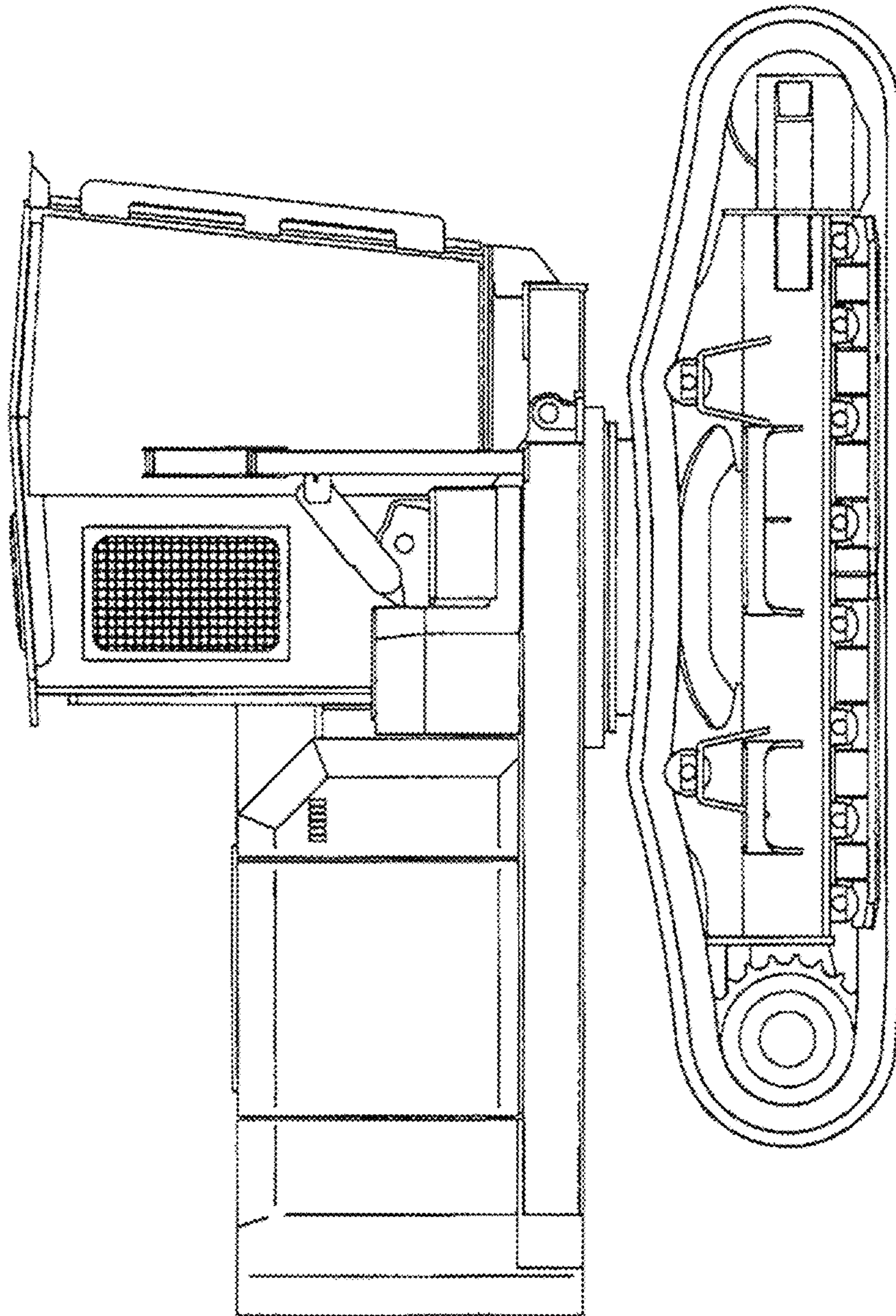


FIG. 8

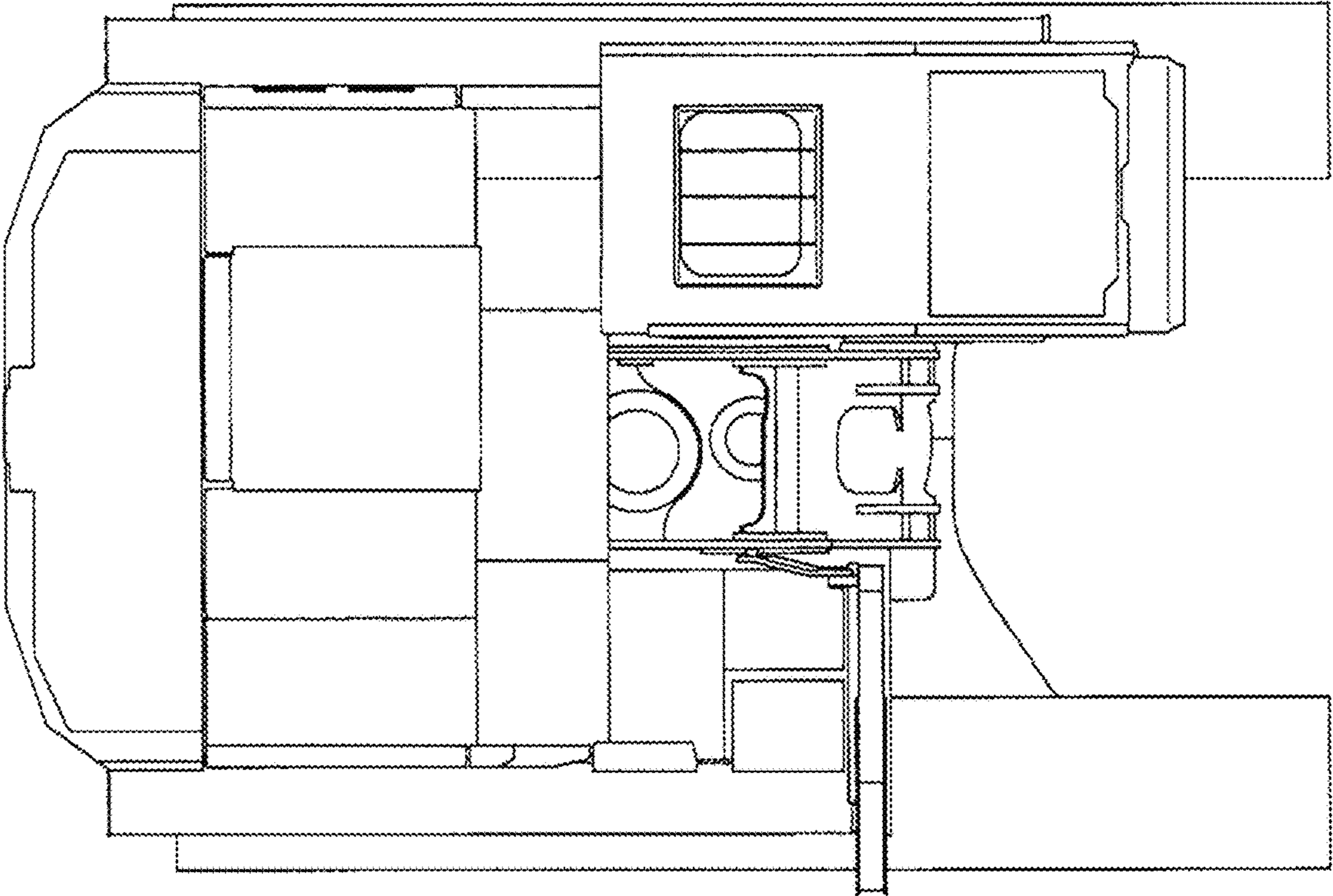


FIG. 9