



US00D974413S

(12) **United States Design Patent**
Kobayashi et al.

(10) **Patent No.:** **US D974,413 S**
(45) **Date of Patent:** **** Jan. 3, 2023**

- (54) **ELECTRIC OIL PUMP**
- (71) Applicant: **NIDEC TOSOK CORPORATION**,
Kanagawa (JP)
- (72) Inventors: **Yoshiyuki Kobayashi**, Kanagawa (JP);
Shigehiro Kataoka, Kanagawa (JP);
Yuzo Nagai, Kanagawa (JP)
- (73) Assignee: **NIDEC TOSOK CORPORATION**,
Kanagawa (JP)
- (**) Term: **15 Years**
- (21) Appl. No.: **29/774,090**
- (22) Filed: **Mar. 14, 2021**
- (30) **Foreign Application Priority Data**
Sep. 30, 2020 (JP) 2020-020861 D
- (51) **LOC (14) Cl.** **15-02**
- (52) **U.S. Cl.**
USPC **D15/9.1**
- (58) **Field of Classification Search**
USPC D15/4, 5, 6, 7, 9.1
CPC F01M 2001/0215; H02K 5/203
See application file for complete search history.

2019/0032657	A1*	1/2019	Kataoka	H02K 21/14
2019/0195348	A1*	6/2019	Kataoka	F01M 1/02
2019/0301596	A1*	10/2019	Kobayashi	F16H 61/0031
2020/0106331	A1*	4/2020	Kobayashi	F04D 25/068
2020/0232477	A1*	7/2020	Kataoka	H02K 7/14
2020/0313505	A1*	10/2020	Kobayashi	H02K 11/33

- (56) **References Cited**
U.S. PATENT DOCUMENTS

D870,155 S * 12/2019 Alexander D15/7
11,333,050 B2* 5/2022 Kobayashi H02B 1/20

OTHER PUBLICATIONS

Kobayashi, et al., "Electric Oil Pump", U.S. Appl. No. 29/774,091, filed Mar. 14, 2021.

* cited by examiner

Primary Examiner — Ania Aman
(74) *Attorney, Agent, or Firm* — JCIPRNET

(57) **CLAIM**

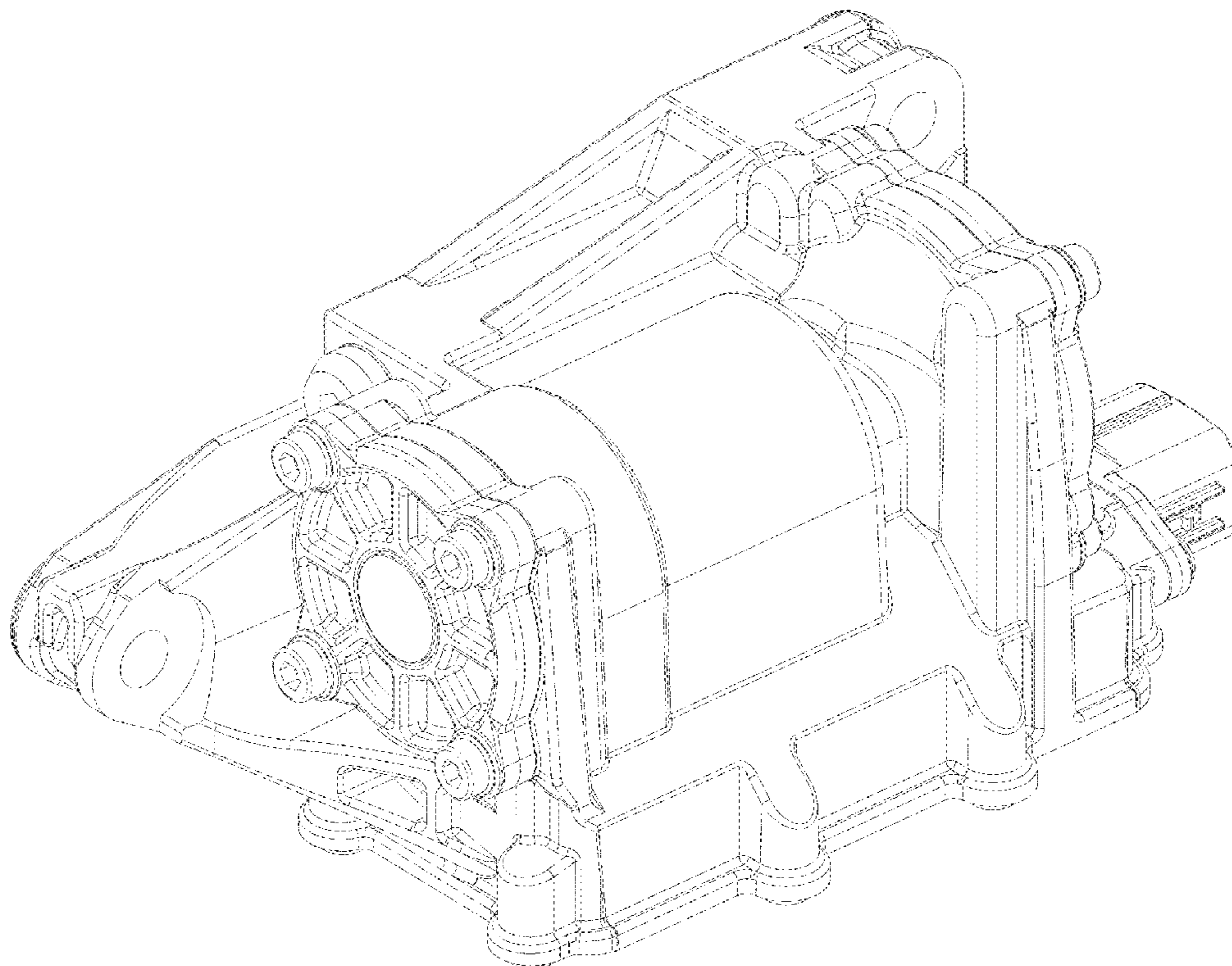
The ornamental design for an electric oil pump, as shown.

DESCRIPTION

FIG. 1 is a perspective view of an electric oil pump showing our new design;
 FIG. 2 is another perspective view thereof;
 FIG. 3 is another perspective view thereof;
 FIG. 4 is another perspective view thereof;
 FIG. 5 is a front view thereof;
 FIG. 6 is a rear view thereof;
 FIG. 7 is a left side view thereof;
 FIG. 8 is a right side view thereof;
 FIG. 9 is a top view thereof; and,
 FIG. 10 is a bottom view thereof.

The broken lines illustrate portions of the electric oil pump that form no part of the claimed design.

1 Claim, 10 Drawing Sheets



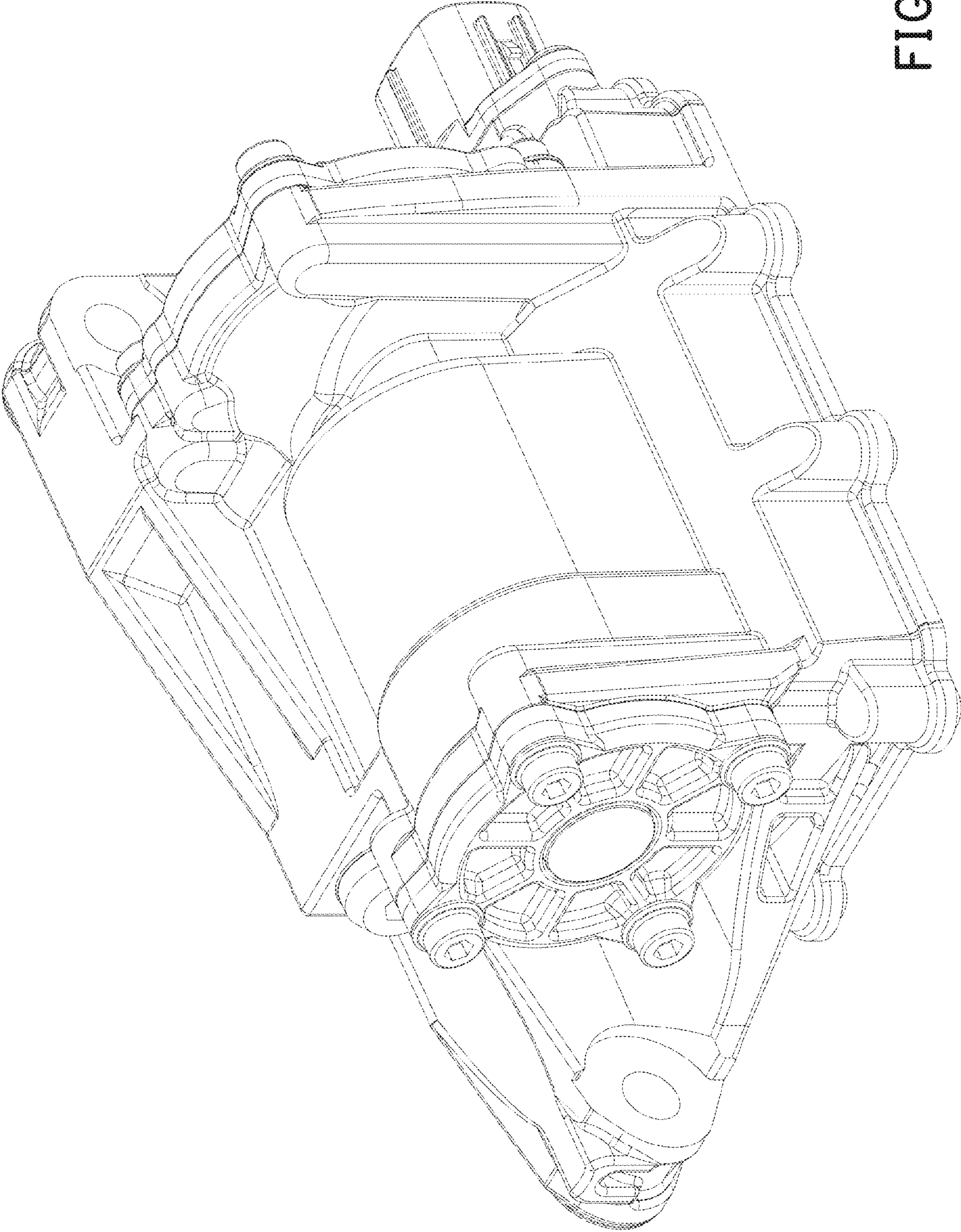


FIG. 1

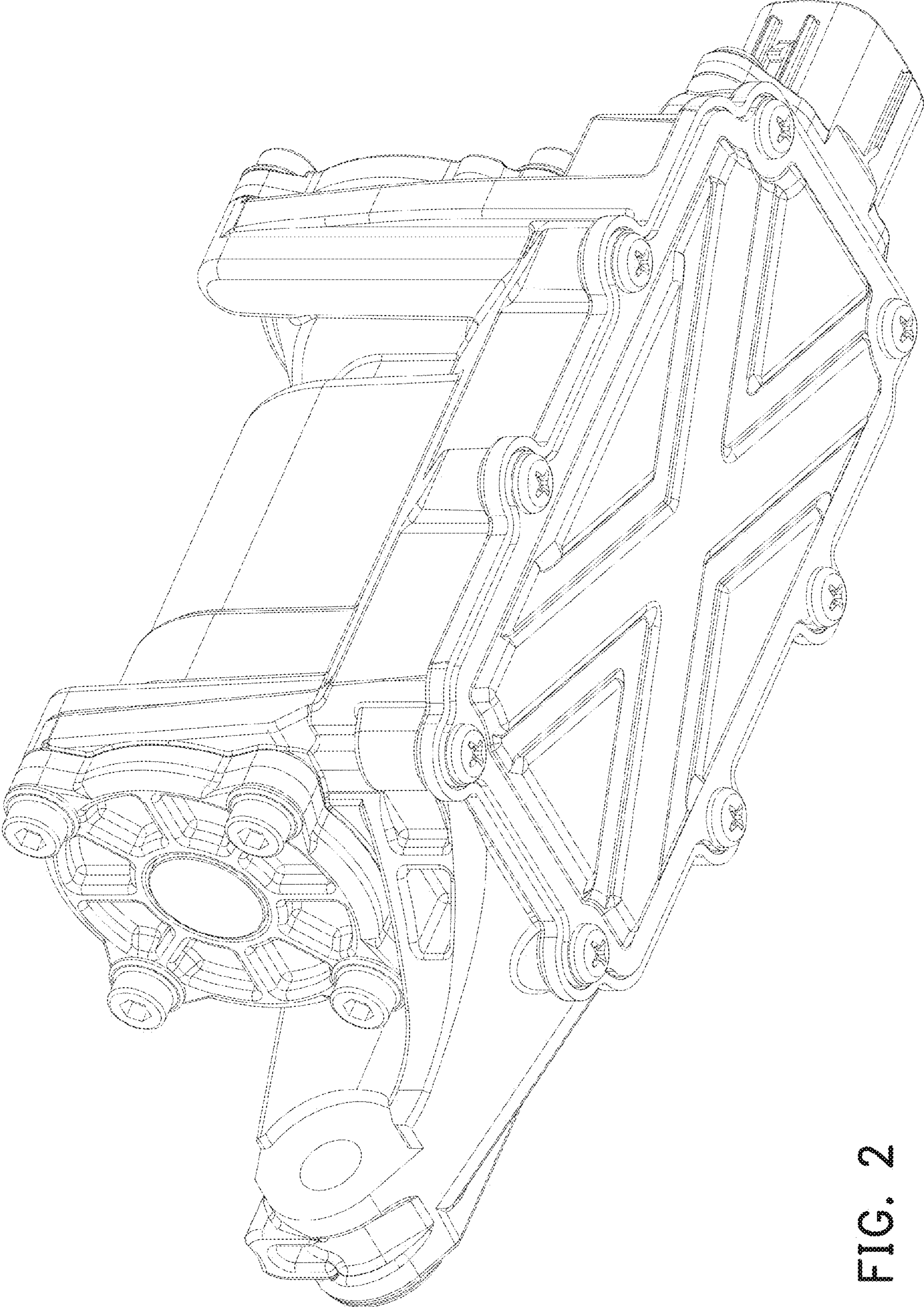


FIG. 2

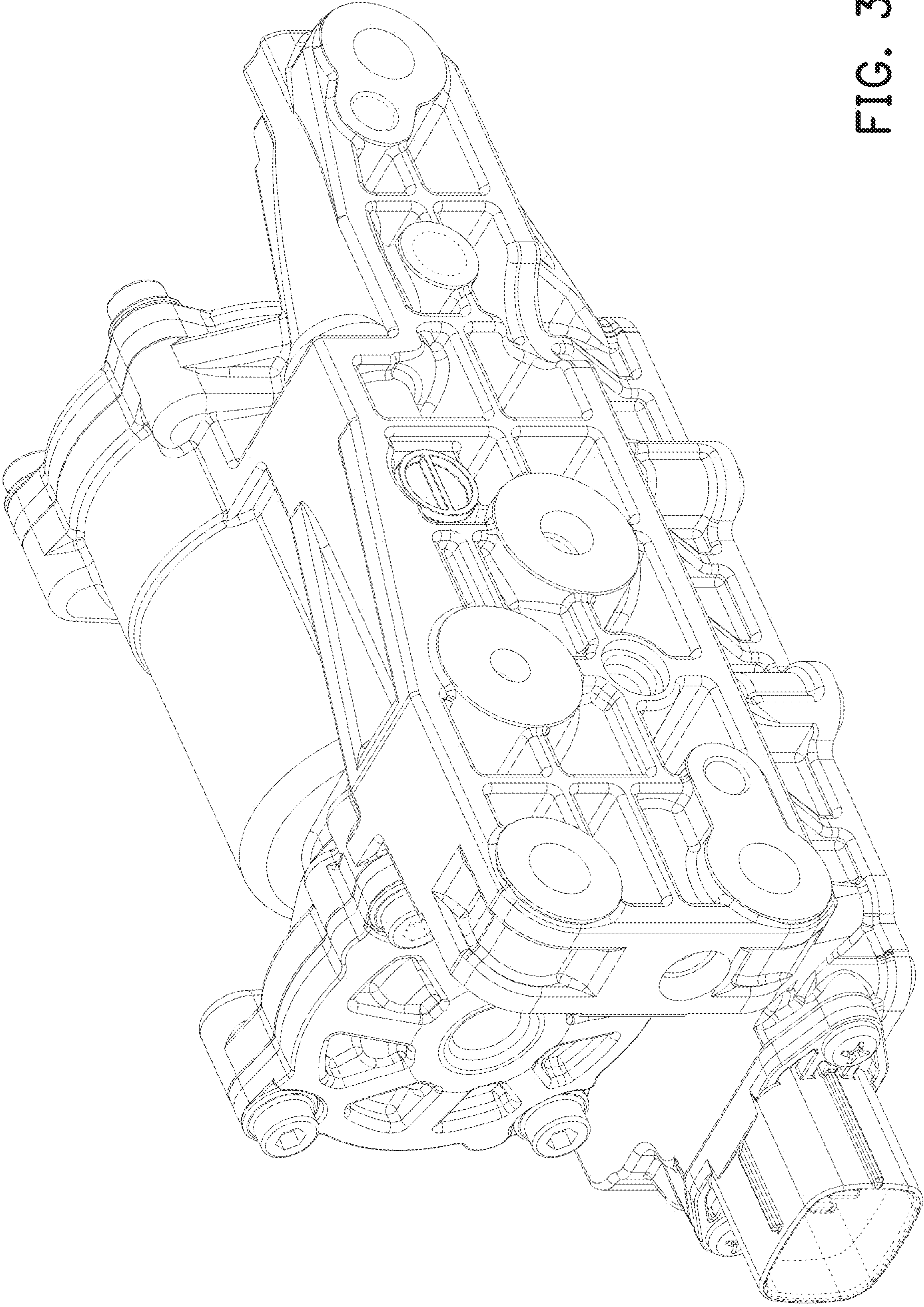


FIG. 3

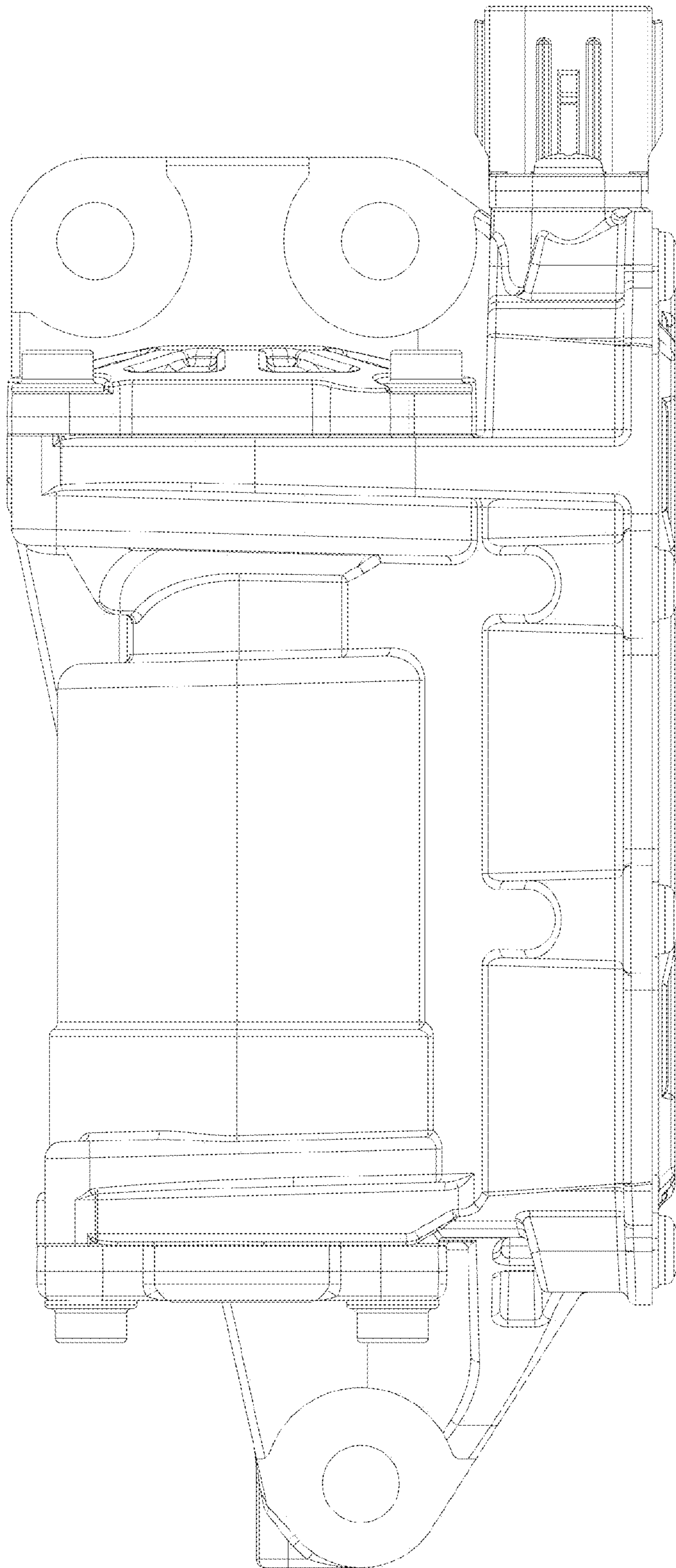


FIG. 5

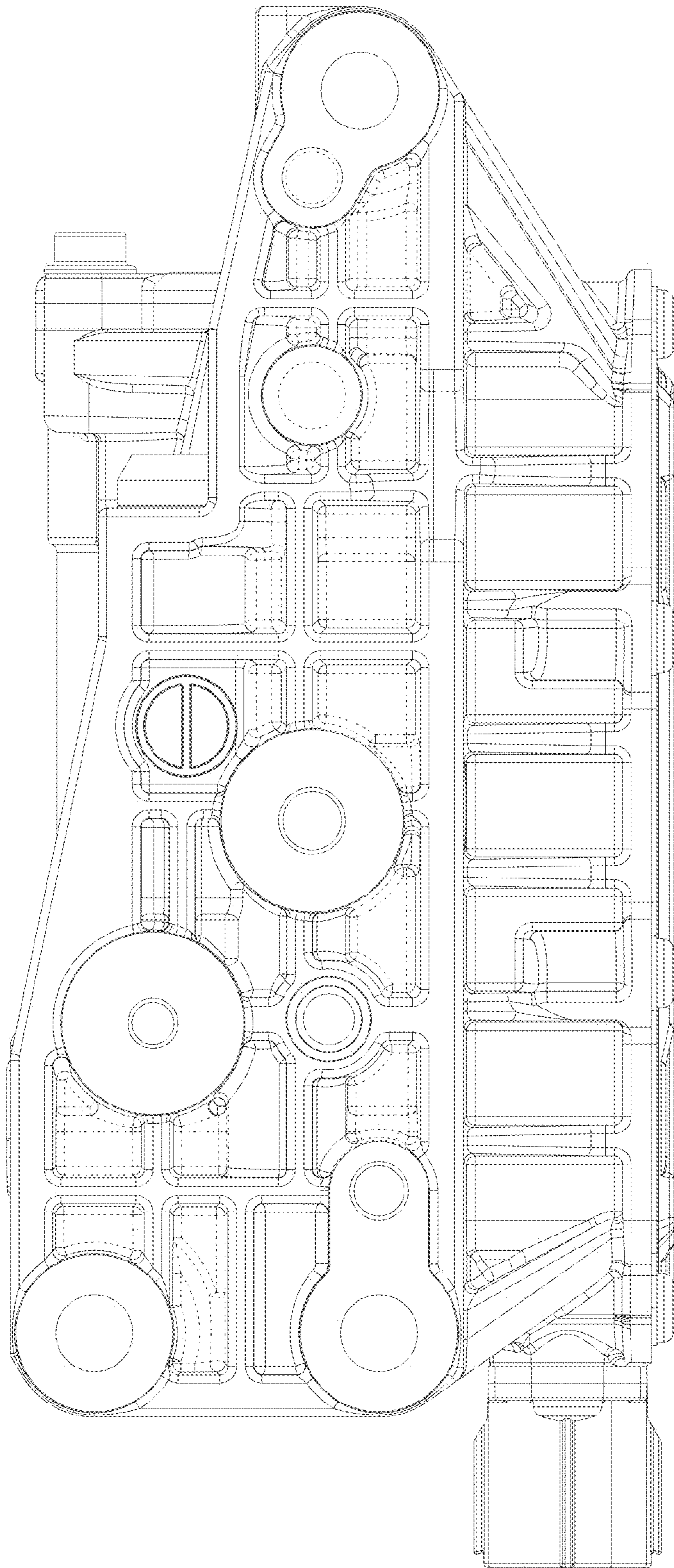


FIG. 6

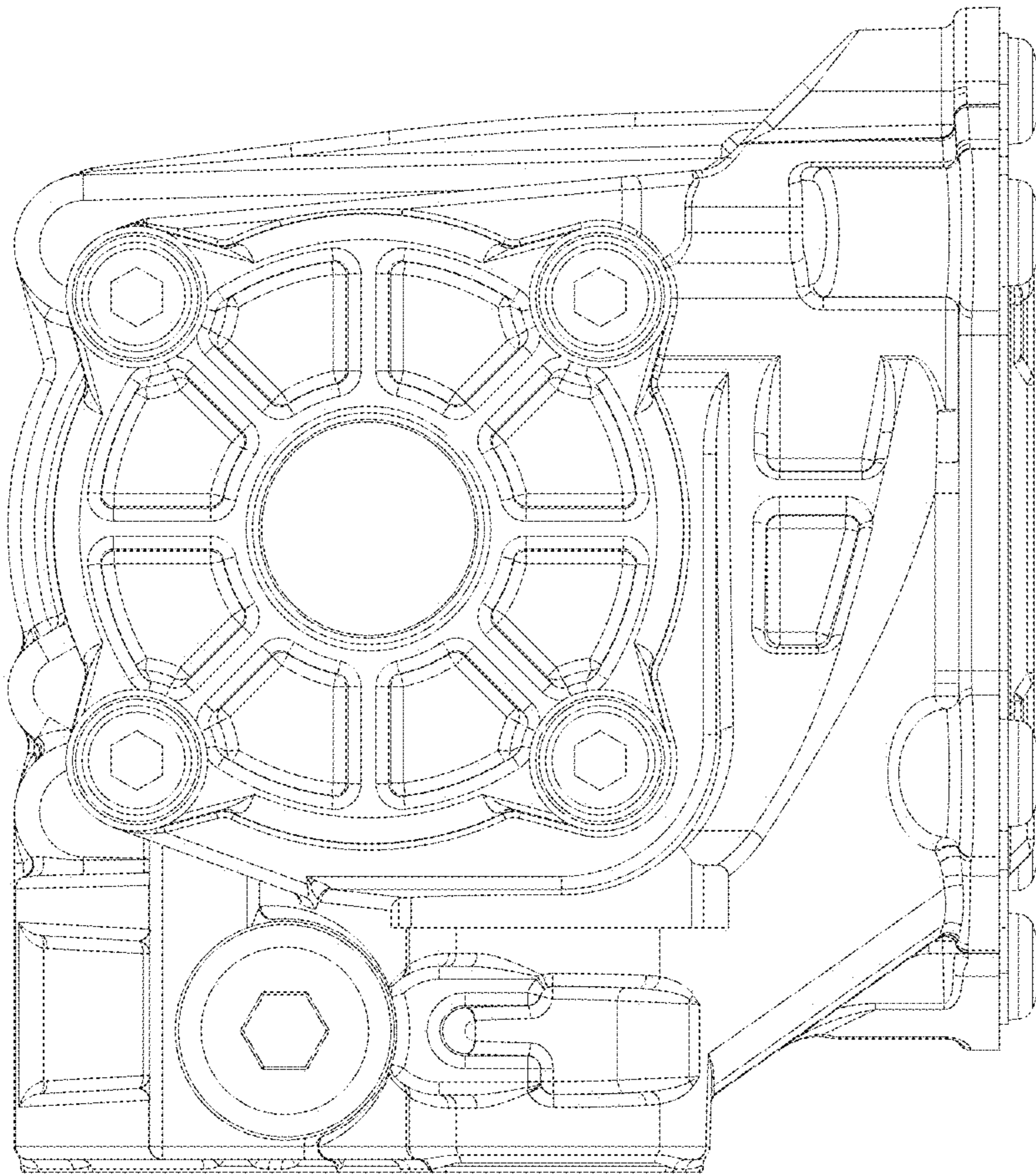


FIG. 7

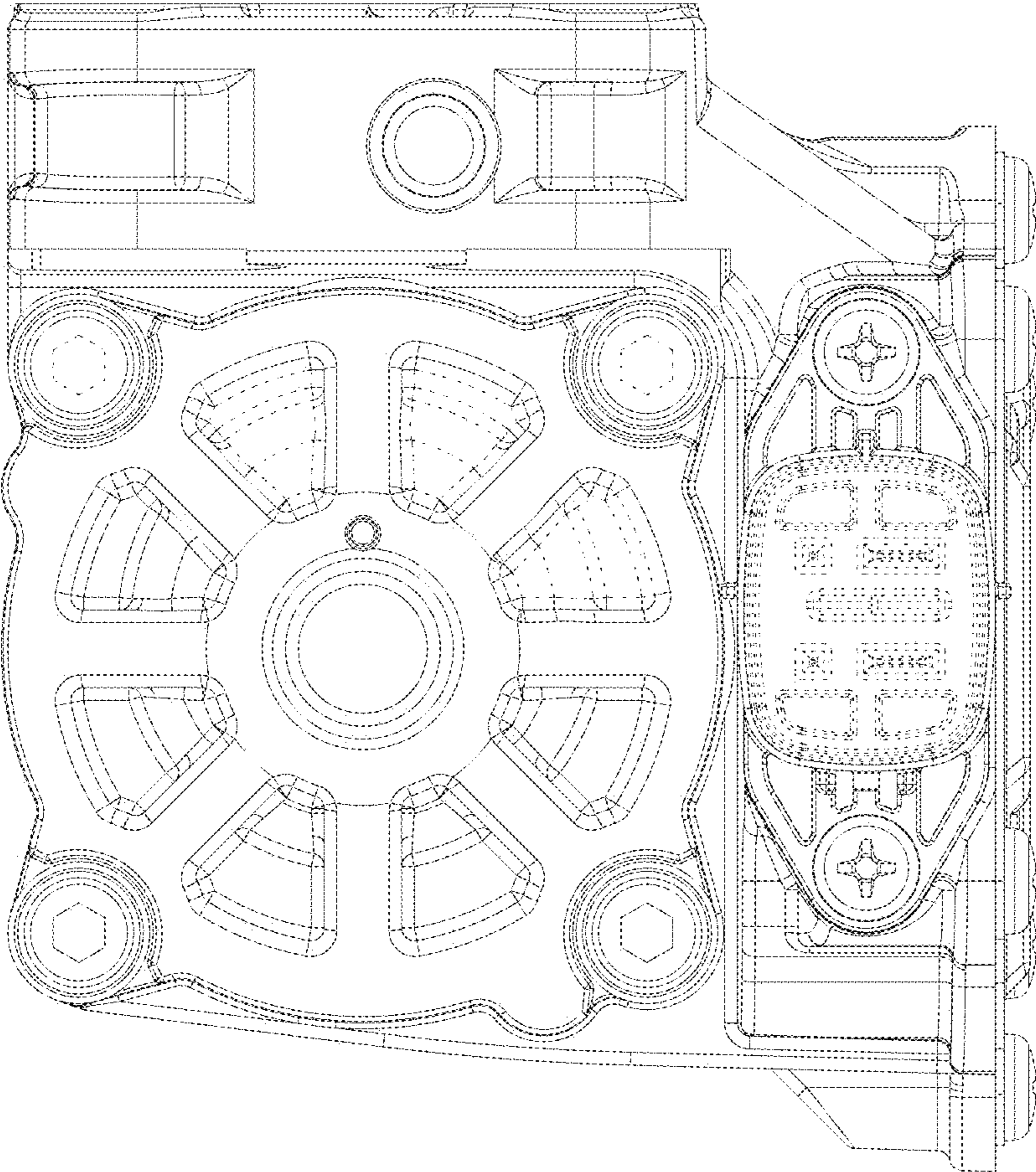


FIG. 8

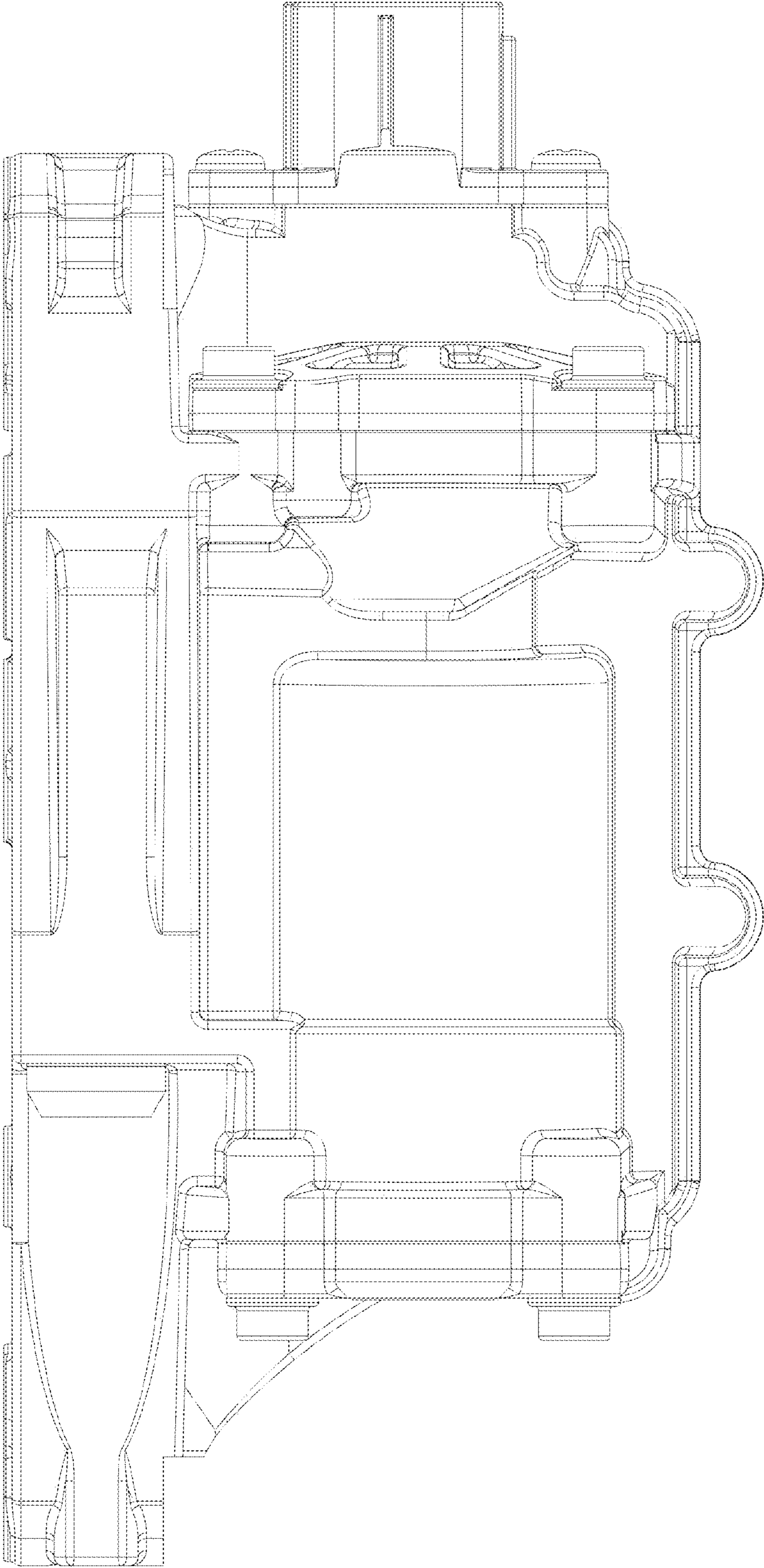


FIG. 9

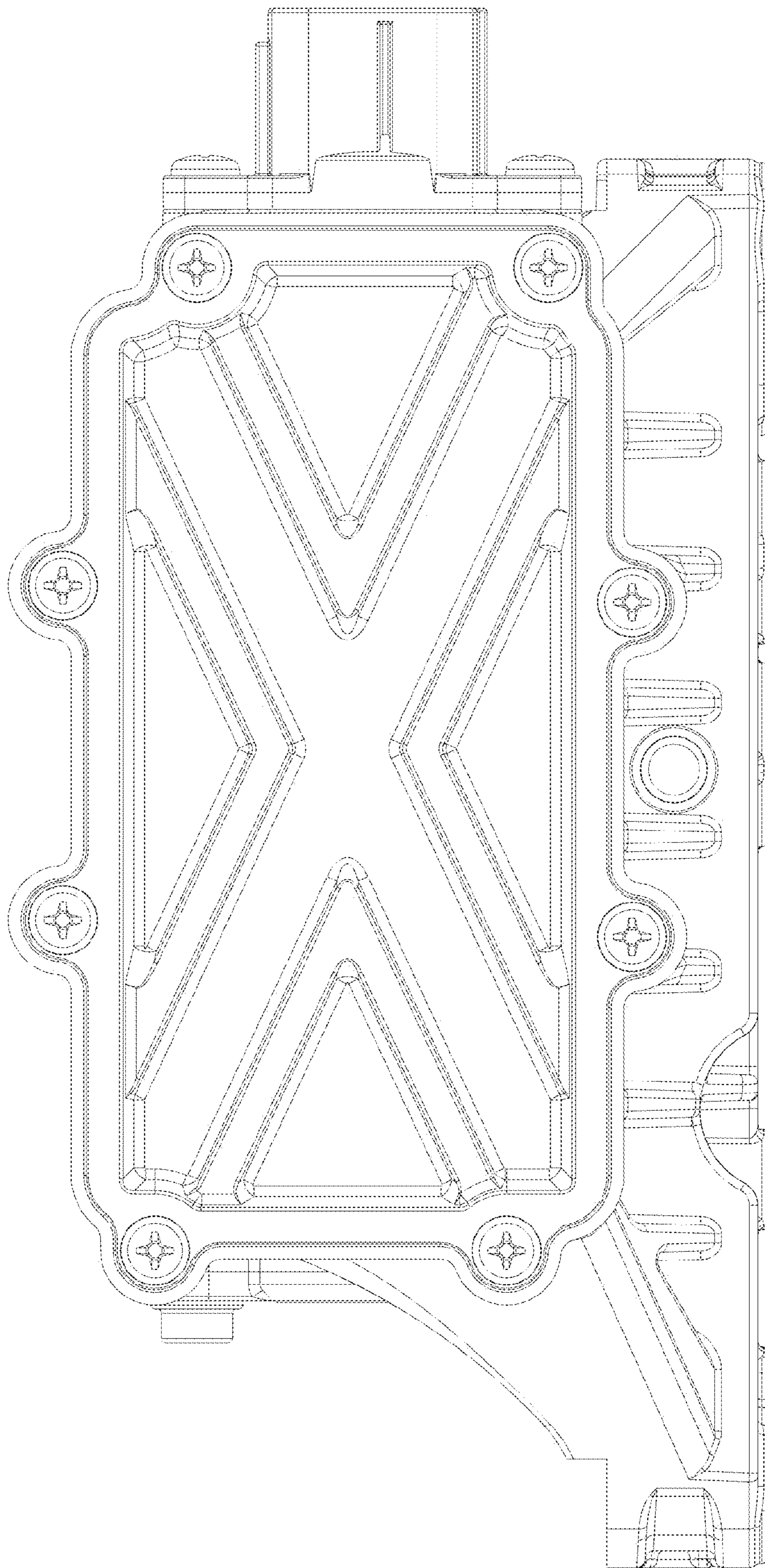


FIG. 10