



US00D974412S

(12) **United States Design Patent**  
**Liu et al.**

(10) **Patent No.:** **US D974,412 S**  
(45) **Date of Patent:** **\*\* Jan. 3, 2023**

(54) **COMBINATION AIR COMPRESSOR AND  
IGNITER FOR AUTOMOBILES**

(71) Applicant: **Shenzhen Grepow Battery Co., Ltd,**  
Shenzhen (CN)

(72) Inventors: **Bing Liu,** Shenzhen (CN); **Miao Liu,**  
Shenzhen (CN); **Yunliang Zhu,**  
Shenzhen (CN); **Gongjiao Tao,**  
Shenzhen (CN); **Zengquan Li,**  
Shenzhen (CN)

(73) Assignee: **Shenzhen Grepow Battery Co., Ltd,**  
Shenzhen (CN)

(\*\*) Term: **15 Years**

(21) Appl. No.: **29/769,525**

(22) Filed: **Feb. 5, 2021**

(30) **Foreign Application Priority Data**

Nov. 27, 2020 (CN) ..... 202030725869.9

(51) **LOC (14) Cl.** ..... **15-02**

(52) **U.S. Cl.**  
USPC ..... **D15/9; D13/107**

(58) **Field of Classification Search**  
USPC ..... D14/163, 165, 172, 203.3, 203.6, 209.1,  
D14/214, 221, 497, 499, 509, 510;  
D24/168, 186, 213; D15/7-9; D23/225,  
D23/231, 232, 366, 356; D12/114  
CPC ..... F04B 53/14; F04B 53/92; F04B 33/00;  
F04B 33/005; F04B 1/005; F04B 39/102;  
F04D 13/06; F04D 29/22; F04D 29/046;  
F04D 29/2266; F16K 11/048; F16K  
15/20; F16K 31/602; F16L 37/18; F16L  
37/20

See application file for complete search history.

(56) **References Cited**

U.S. PATENT DOCUMENTS

D594,406 S *	6/2009	Ellsworth	.....	D13/107
D794,770 S *	8/2017	Wu	.....	D24/108
D803,151 S *	11/2017	Zhou	.....	D13/107
D823,346 S *	7/2018	Petersen	.....	D15/7
D832,889 S *	11/2018	Zheng	.....	D15/7
D838,747 S *	1/2019	Gan	.....	D15/7
D838,748 S *	1/2019	Gan	.....	D15/7
D864,254 S *	10/2019	Zhang	.....	D15/9
D874,396 S *	2/2020	Rao	.....	D13/107
D897,281 S *	9/2020	Shum	.....	D13/103
D902,848 S *	11/2020	Wu	.....	D13/107
D902,849 S *	11/2020	Wu	.....	D13/107
D902,851 S *	11/2020	Wu	.....	D13/107
D906,372 S *	12/2020	Marini	.....	B29C 73/166 D15/9

(Continued)

*Primary Examiner* — Calvin E Vansant

*Assistant Examiner* — Mark T. Philipps

(74) *Attorney, Agent, or Firm* — ScienBiziP, P.C.

(57) **CLAIM**

The ornamental design for a combination air compressor and igniter for automobiles, as shown and described.

**DESCRIPTION**

FIG. 1 is a front perspective view of the first embodiment of a combination air compressor and igniter for automobiles, showing my design.

FIG. 2 is a rear perspective view thereof.

FIG. 3 is a front elevation view thereof.

FIG. 4 is a rear elevation view thereof.

FIG. 5 is a left side elevation view thereof.

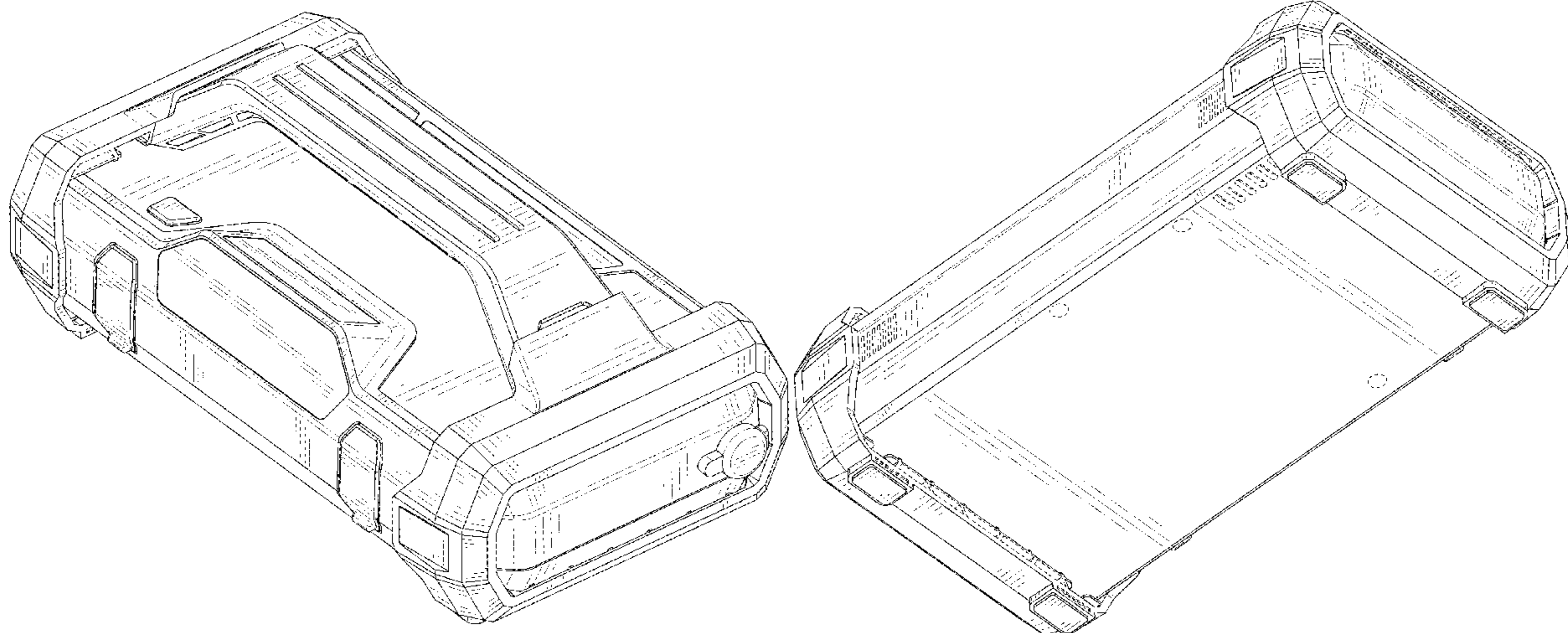
FIG. 6 is a right side elevation view thereof.

FIG. 7 is a top plan view thereof; and,

FIG. 8 is a bottom plan view thereof.

The broken lines in the drawings depict portions of the combination air compressor and igniter for automobiles that form no part of the claimed design.

**1 Claim, 8 Drawing Sheets**



(56)

**References Cited**

U.S. PATENT DOCUMENTS

D911,936 S *	3/2021	Miller .....	H02J 1/122 D15/9
D926,124 S *	7/2021	Zhu .....	D13/107
D930,578 S *	9/2021	Zheng .....	D13/110
D942,376 S *	2/2022	Chung .....	D13/107
D942,935 S *	2/2022	Wang .....	D13/107
D944,191 S *	2/2022	Wang .....	D13/107
D944,725 S *	3/2022	Zeng .....	D13/103
D946,510 S *	3/2022	Xuan .....	D13/107
D954,641 S *	6/2022	Zeng .....	D13/103

\* cited by examiner

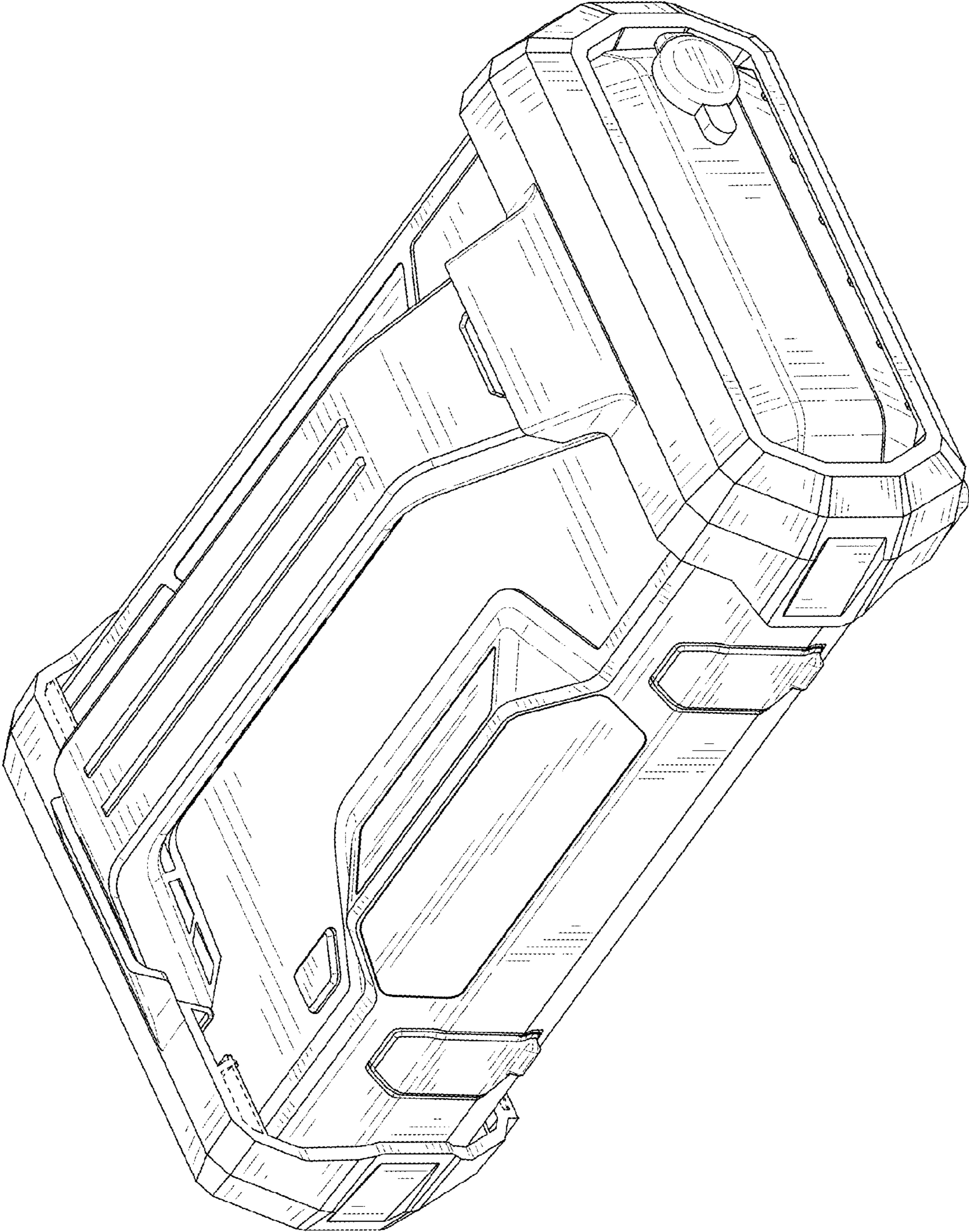


FIG. 1

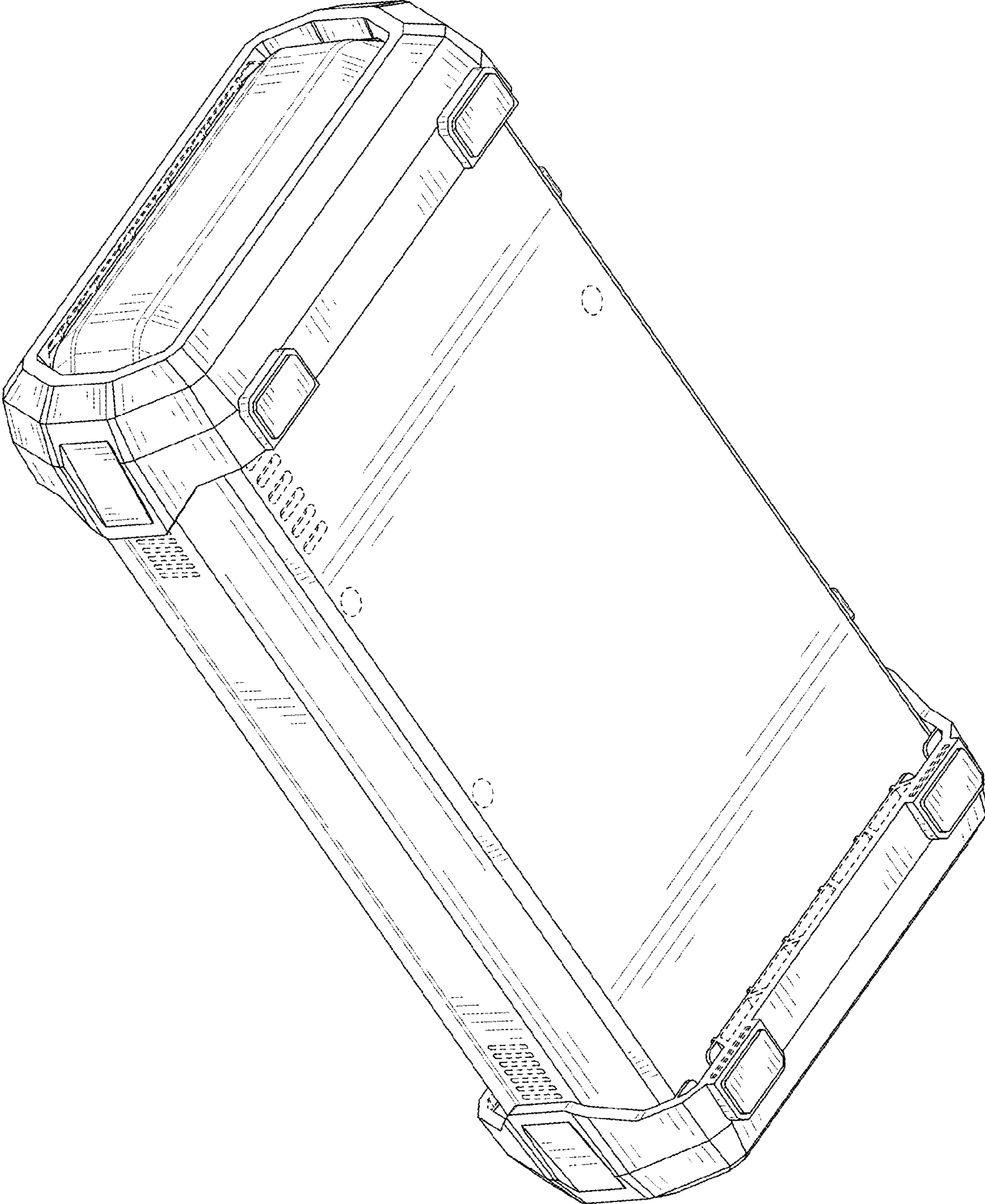


FIG. 2

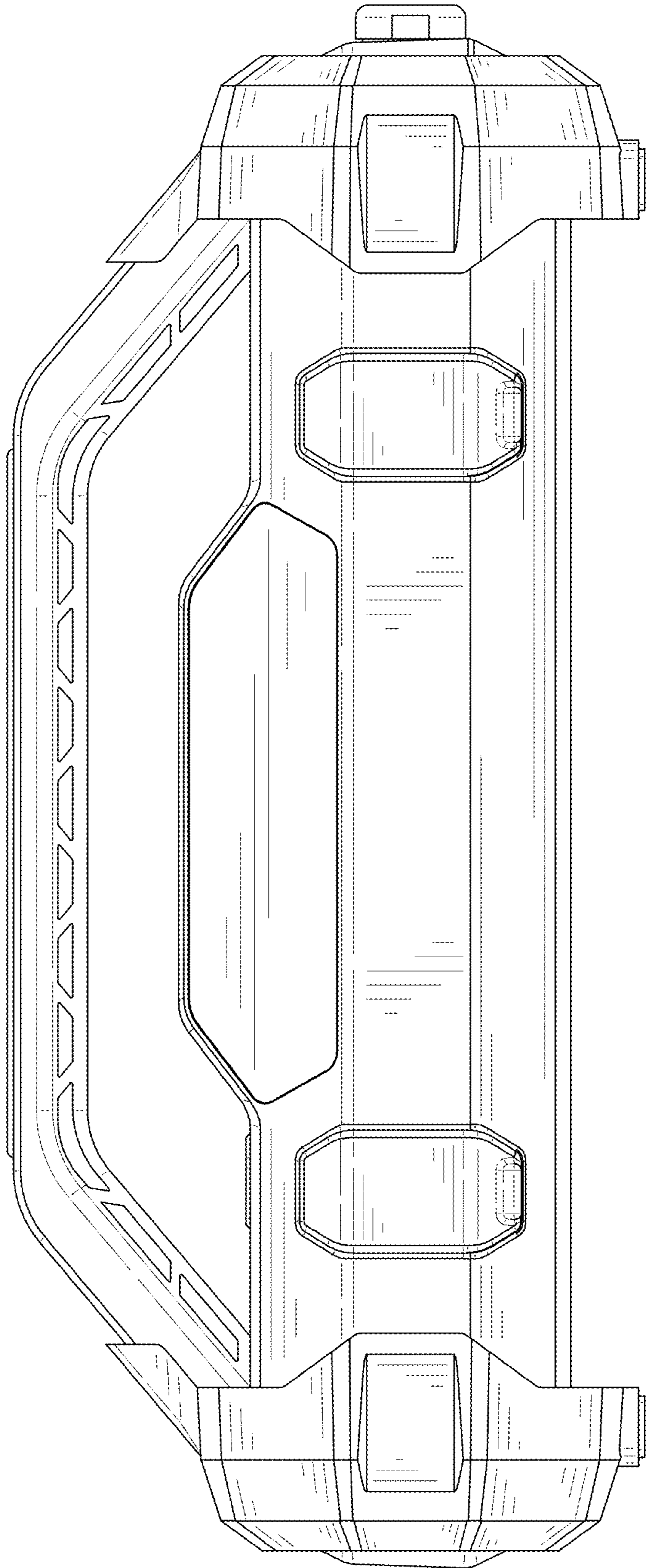


FIG. 3

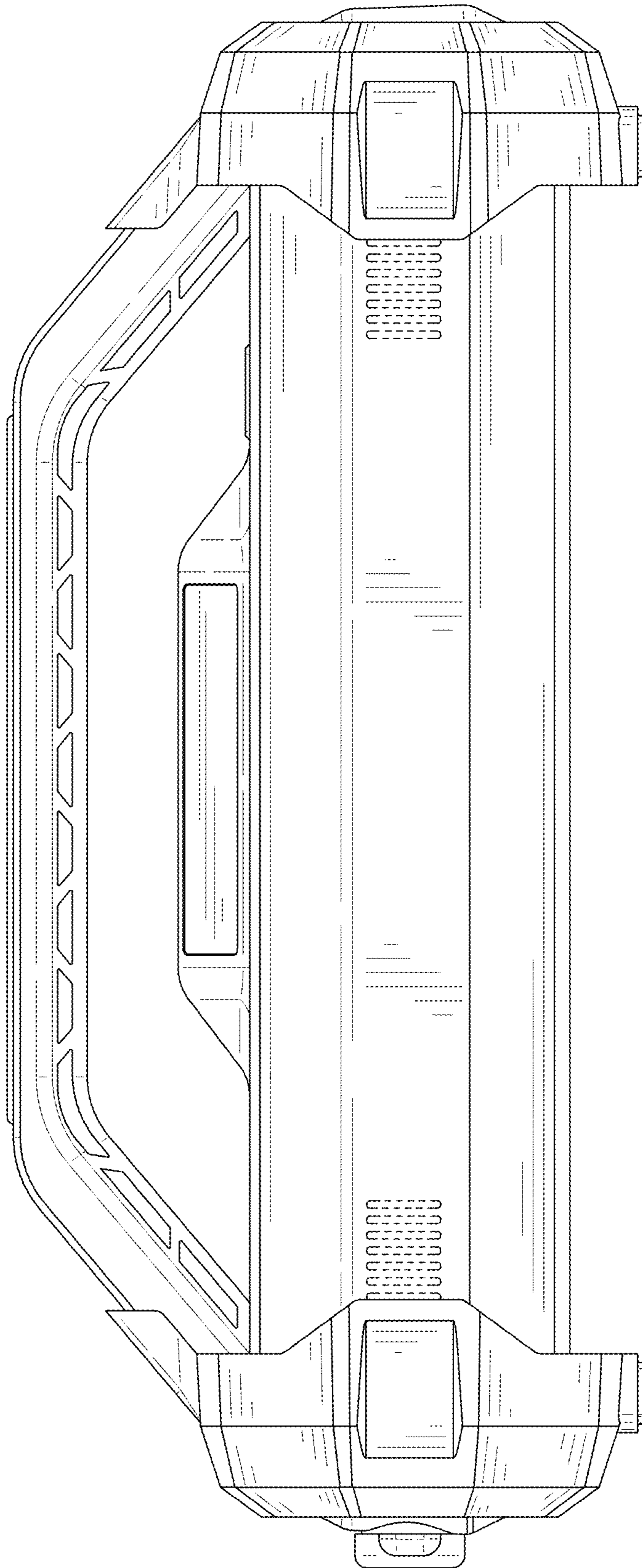


FIG. 4

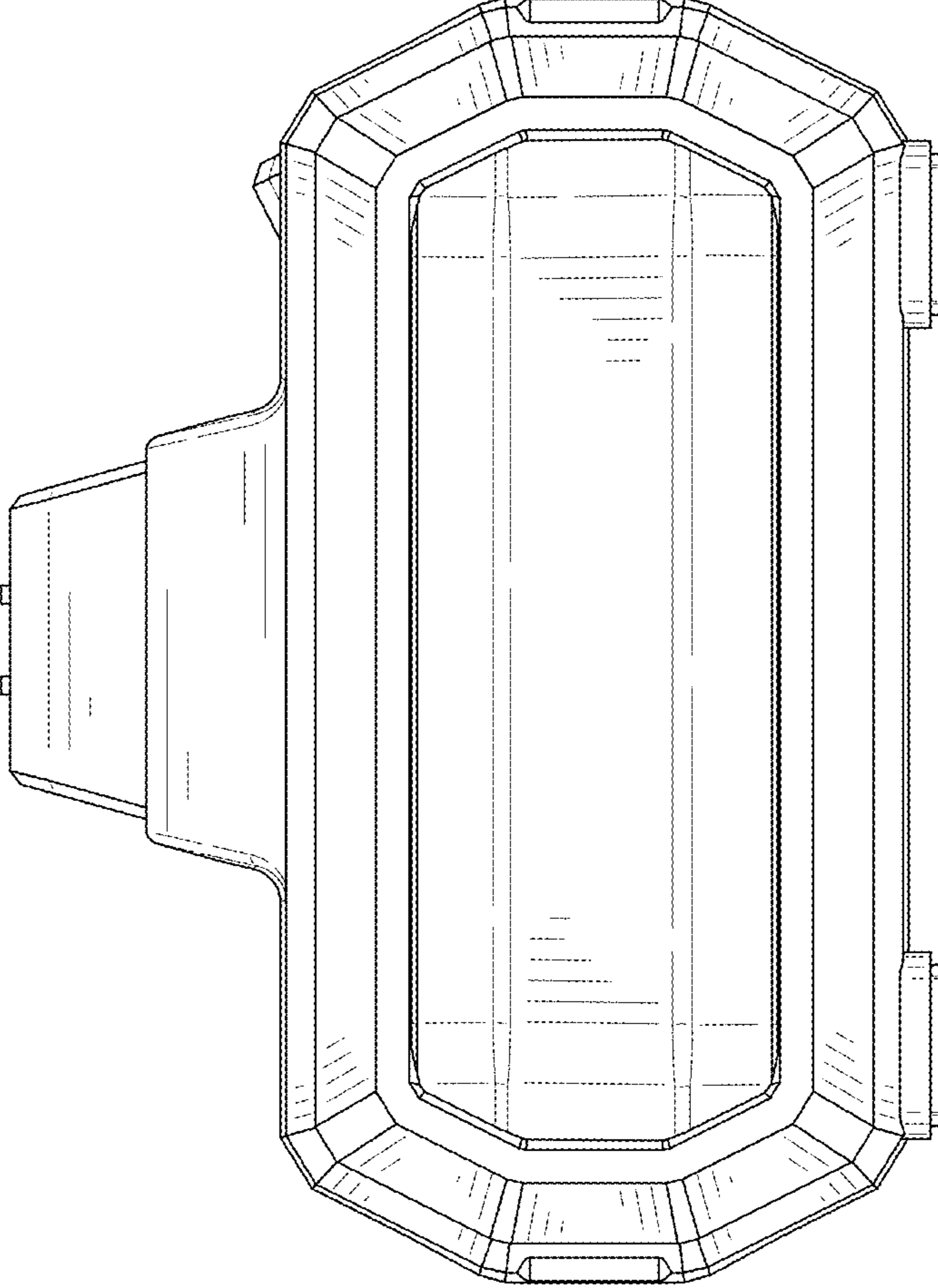


FIG. 5

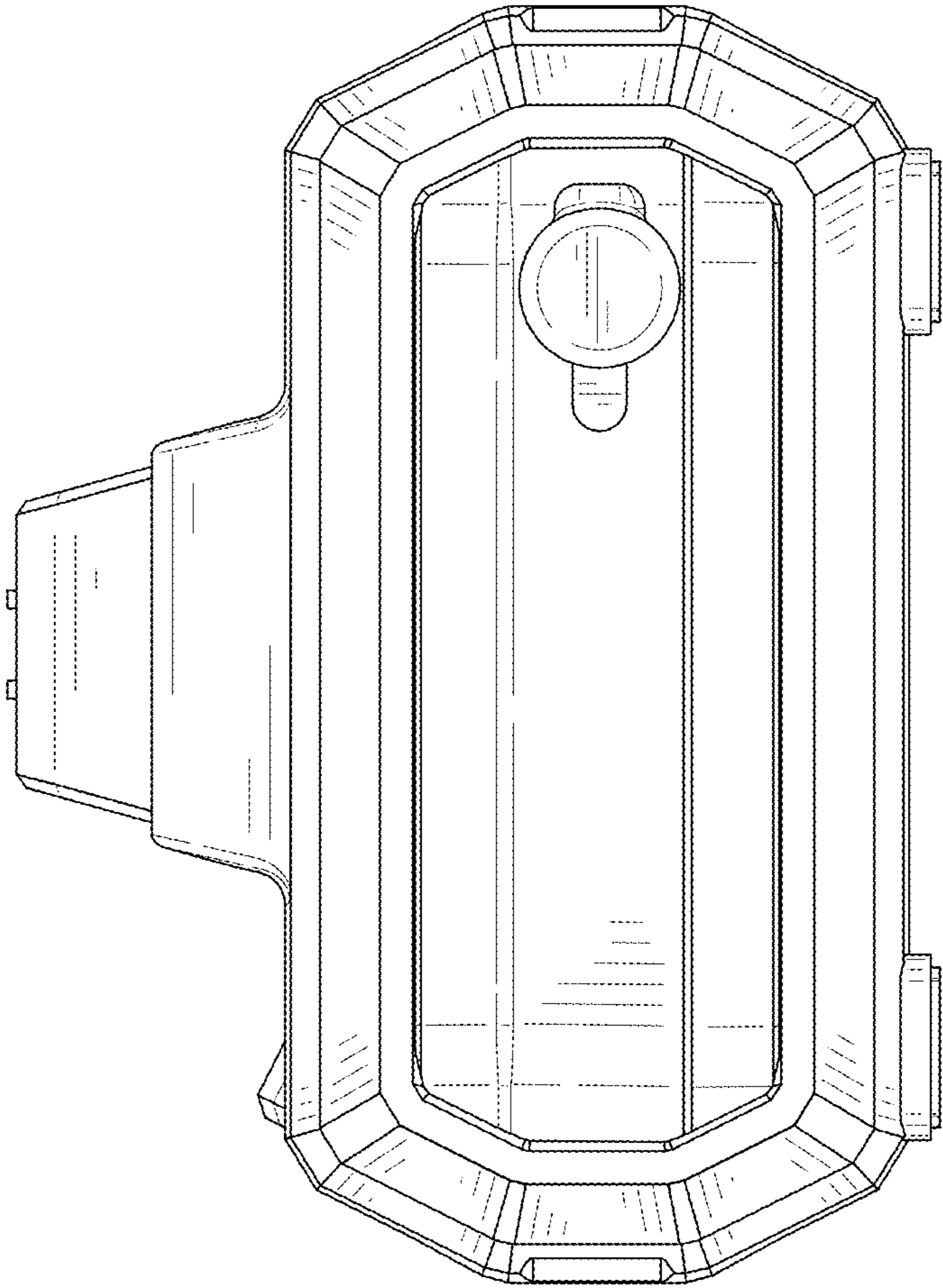


FIG. 6



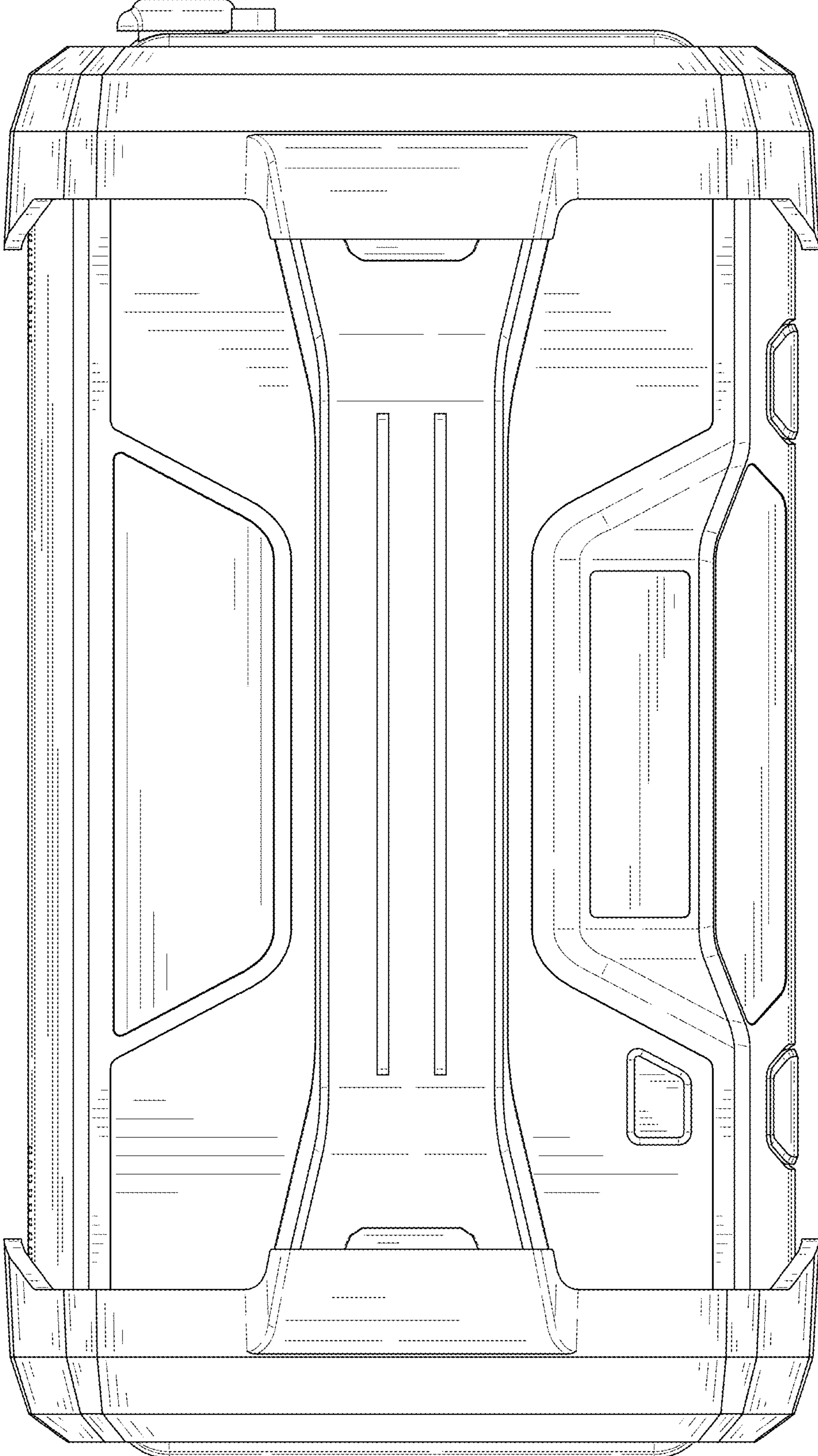


FIG. 7

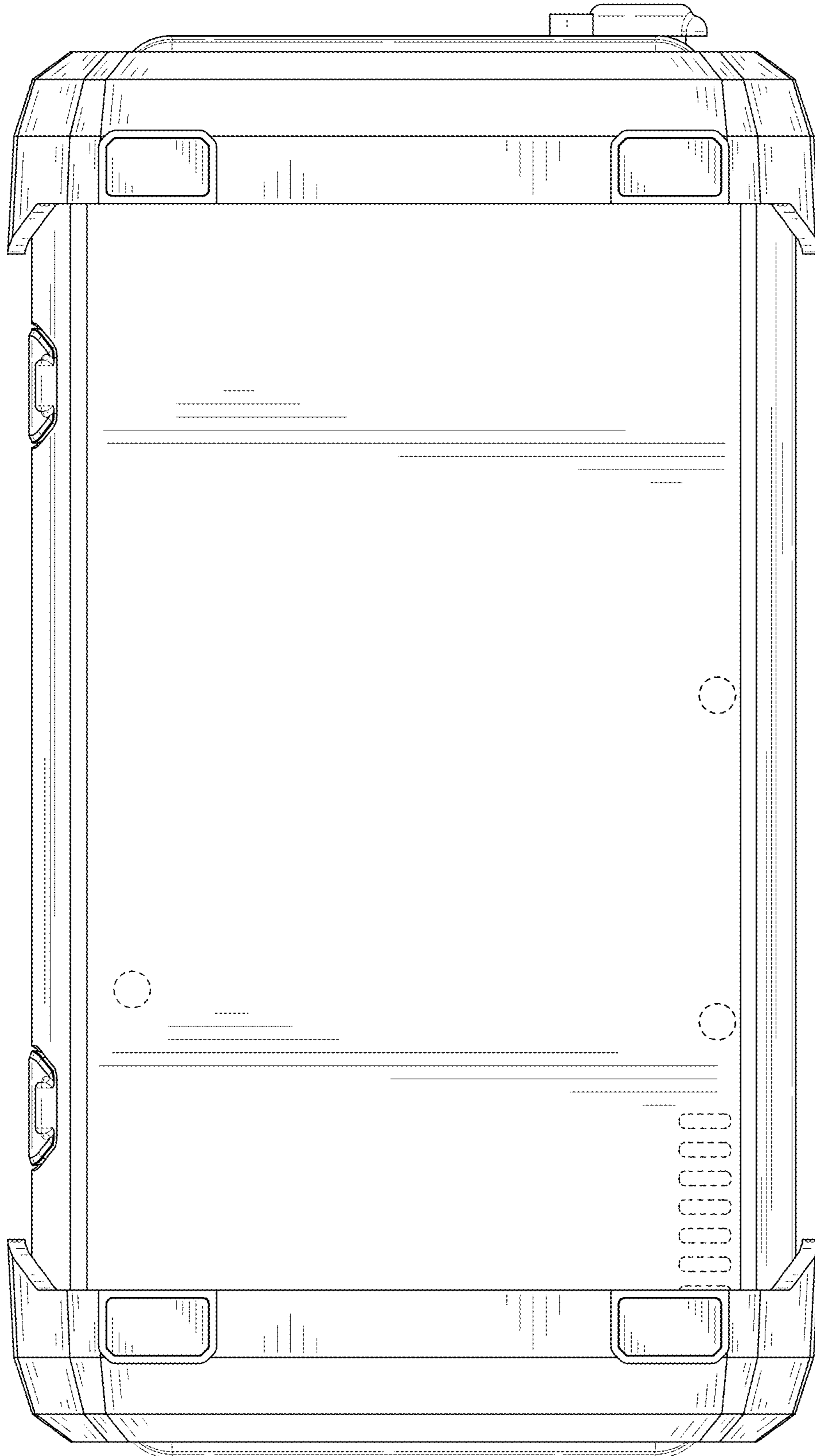


FIG. 8