



US00D974366S

(12) **United States Design Patent** (10) **Patent No.:** **US D974,366 S**
McEuen et al. (45) **Date of Patent:** **** Jan. 3, 2023**

(54) **DATA STORAGE DEVICE FOR USE WITH AN ELECTRONIC DEVICE**

D631,885 S * 2/2011 Maier D14/435.1
D642,585 S 8/2011 Lan et al.
D675,630 S 2/2013 Ni et al.

(71) Applicant: **Intel Corporation**, Santa Clara, CA (US)

(Continued)

(72) Inventors: **Shawn S. McEuen**, Portland, OR (US); **Aleksander Magi**, Aloha, OR (US)

FOREIGN PATENT DOCUMENTS

CN 304477200 * 1/2018

(73) Assignee: **Intel Corporation**, Santa Clara, CA (US)

OTHER PUBLICATIONS

(**) Term: **15 Years**

United States Patent and Trademark Office, "Non-Final Office Action," issued in connection with U.S. Appl. No. 29/604,779, dated Jun. 7, 2019, 18 pages.

(21) Appl. No.: **29/728,081**

(Continued)

(22) Filed: **Mar. 16, 2020**

Primary Examiner — Angela J Lee

(74) *Attorney, Agent, or Firm* — Hanley, Flight & Zimmerman, LLC

Related U.S. Application Data

(63) Continuation of application No. 29/604,779, filed on May 19, 2017, now Pat. No. Des. 878,383.

(51) **LOC (14) Cl.** **14-03**

(52) **U.S. Cl.**
USPC **D14/480.5**

(58) **Field of Classification Search**
USPC D14/480.1–480.7, 435.1, 411, 433, 436, D14/484.1, 137, 155, 203.1–203.8, 240, D14/242; D13/133, 154
CPC H05K 5/0278; G06K 19/07732
See application file for complete search history.

(57) **CLAIM**

The ornamental design for "data storage device for use with an electronic device," as shown and described.

DESCRIPTION

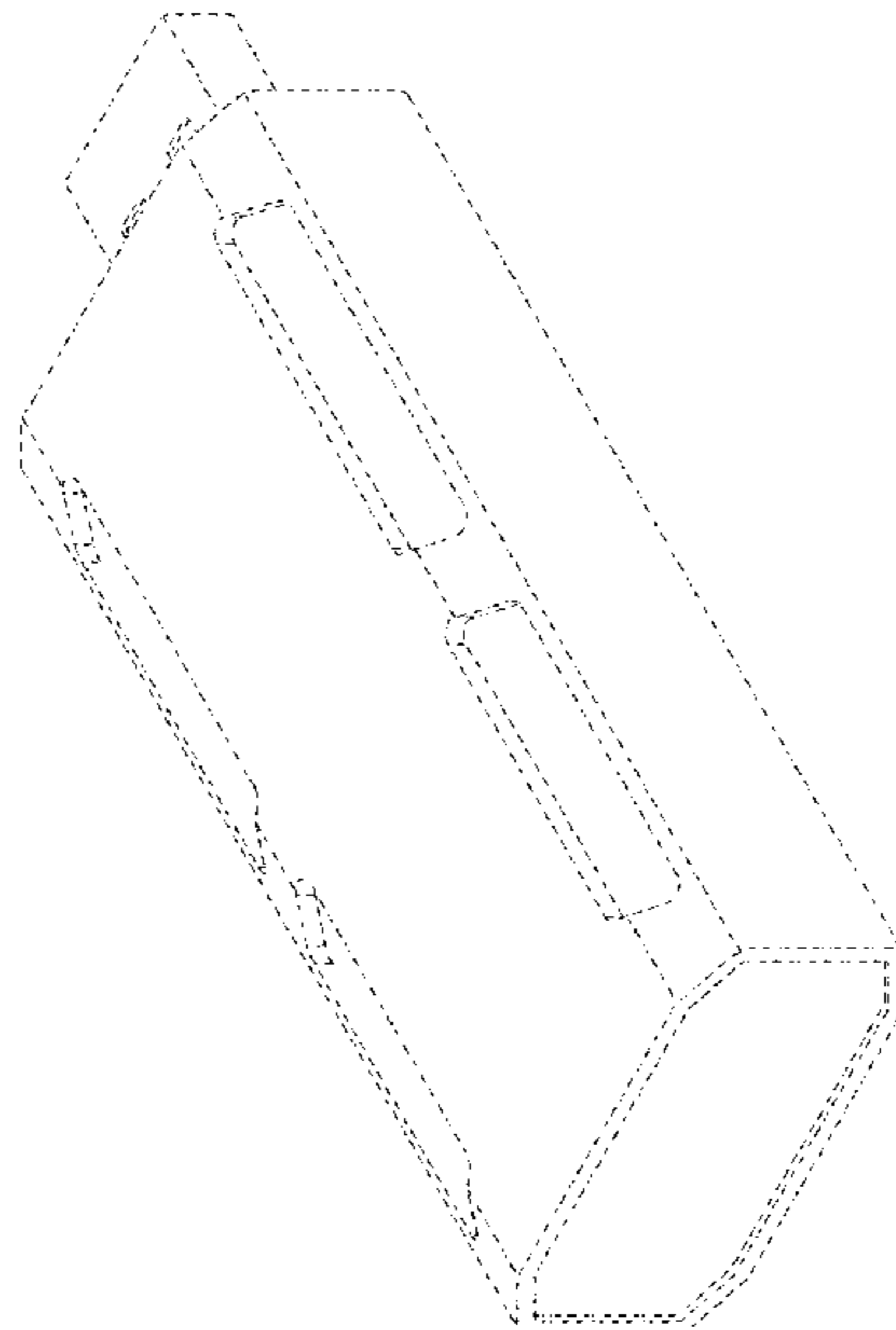
FIG. 1 is a front right perspective view of data storage device.
FIG. 2 is a front view of the data storage device of FIG. 1.
FIG. 3 is a right side view of the data storage device of FIG. 1.
FIG. 4 is left side view of the data storage device of FIG. 1.
FIG. 5 is a top view of the data storage device of FIG. 1.
FIG. 6 is a bottom view of the data storage device of FIG. 1.
FIG. 7 is a perspective rear view of the data storage device of FIG. 1; and,
FIG. 8 is a rear view of the data storage device of FIG. 1.
The features shown in broken lines form no part of the claimed design.

(56) **References Cited**

U.S. PATENT DOCUMENTS

D506,471 S 6/2005 Iikura et al.
7,004,780 B1 2/2006 Wang
D542,788 S 5/2007 Gutmann et al.
D563,954 S 3/2008 Buchanon
D587,266 S 2/2009 Deguchi
D611,946 S * 3/2010 Wisniewski D14/480.5
D618,226 S * 6/2010 Tong D14/240

1 Claim, 5 Drawing Sheets



(56)

References Cited

U.S. PATENT DOCUMENTS

D688,255	S	8/2013	Daniel	
D711,891	S	8/2014	Emami et al.	
D736,149	S *	8/2015	Liu	D13/108
D760,720	S *	7/2016	Laffon de Mazieres	D14/433
D784,357	S	4/2017	Mombauer	
9,640,912	B1	5/2017	Chen et al.	
10,058,003	B1 *	8/2018	Wang	H05K 5/0278
D878,383	S *	3/2020	McEuen	D14/480.5
D907,636	S *	1/2021	Chen	D14/433
2003/0103369	A1 *	6/2003	Wu	H05K 5/0278 365/131
2009/0147460	A1	6/2009	Kung	
2011/0312197	A1	12/2011	Li	
2012/0106412	A1 *	5/2012	Hsu	H01R 13/4538 370/310

OTHER PUBLICATIONS

United States Patent and Trademark Office, "Notice of Allowance and Fee(s) Due," issued in connection with U.S. Appl. No. 29/604,779, dated Nov. 19, 2019, 5 pages.

* cited by examiner

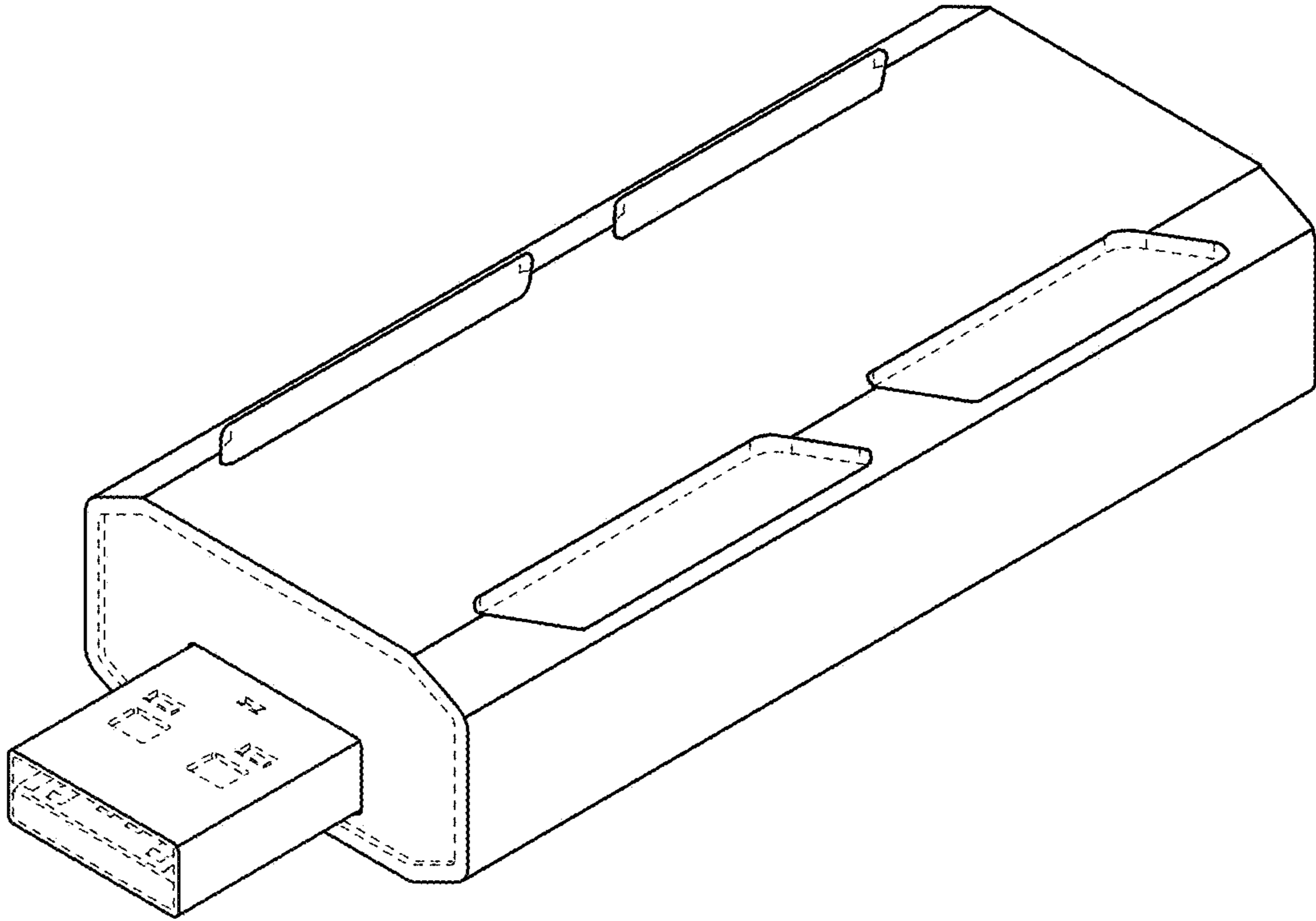


FIG. 1

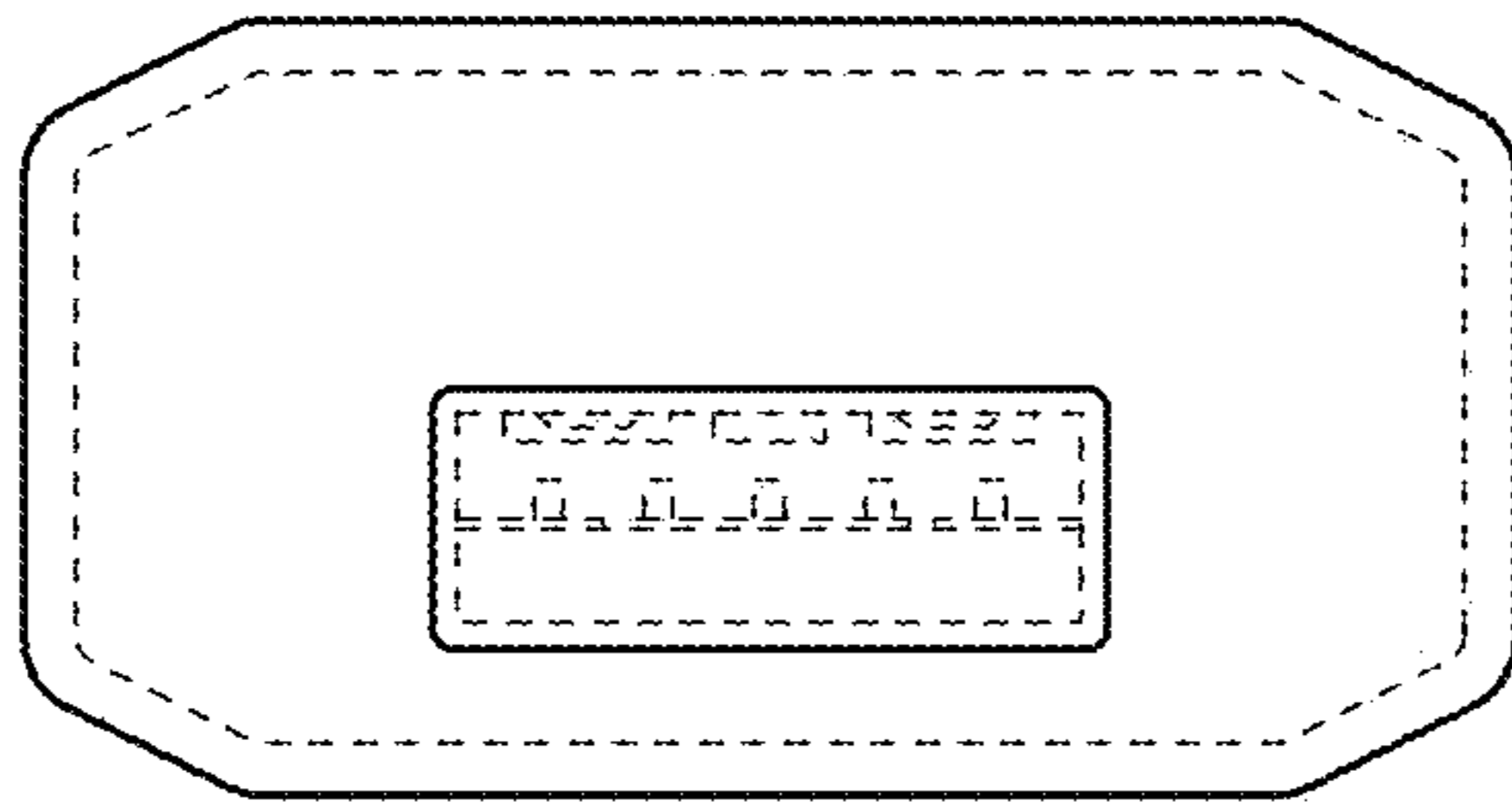


FIG. 2

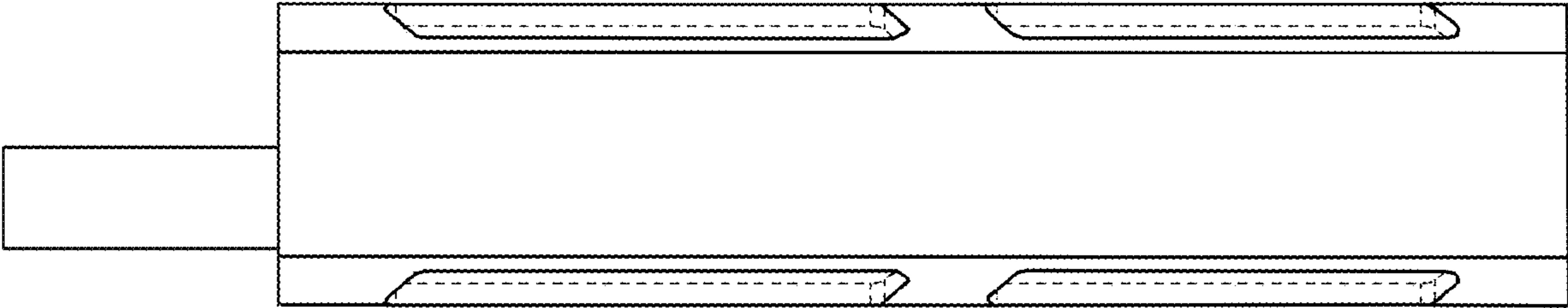


FIG. 3

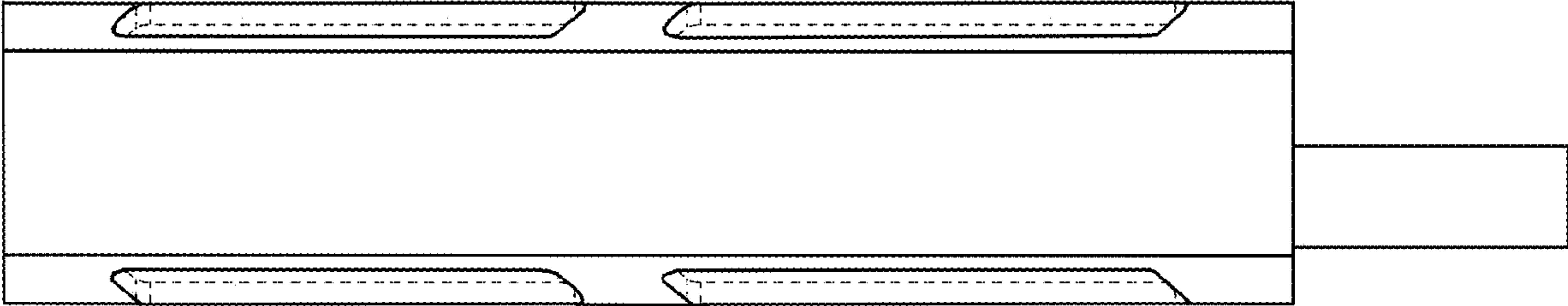


FIG. 4

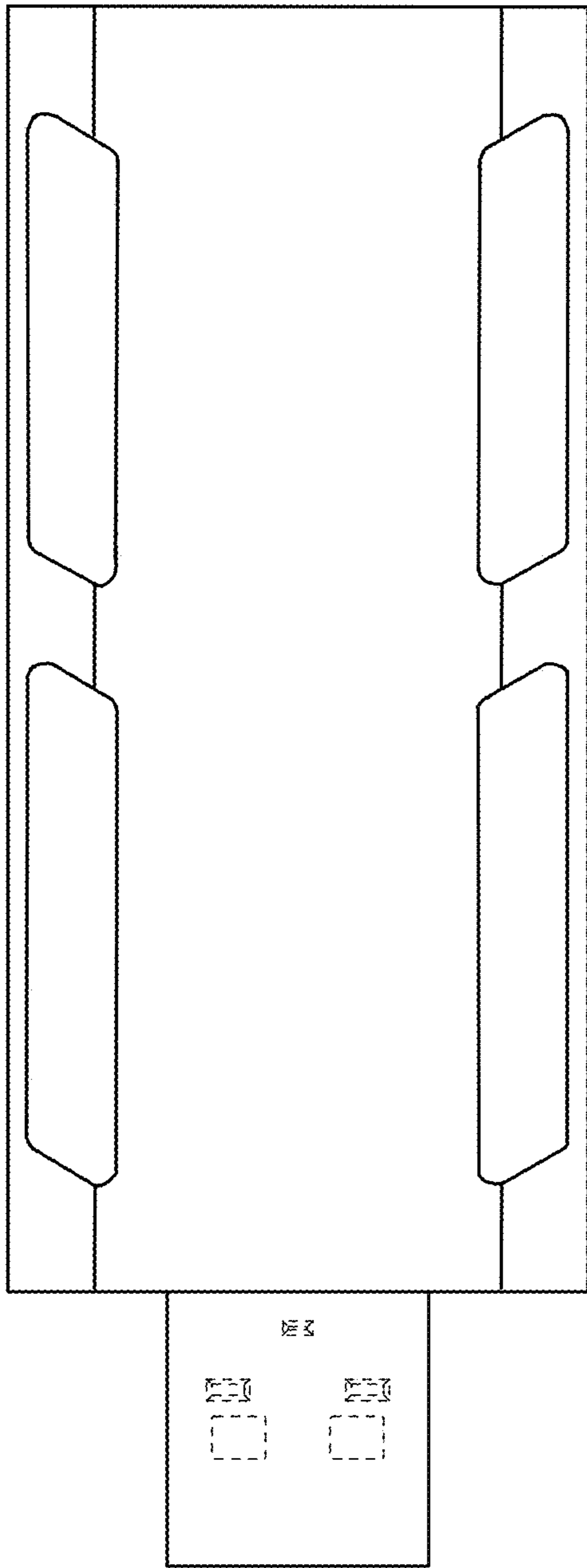


FIG. 5

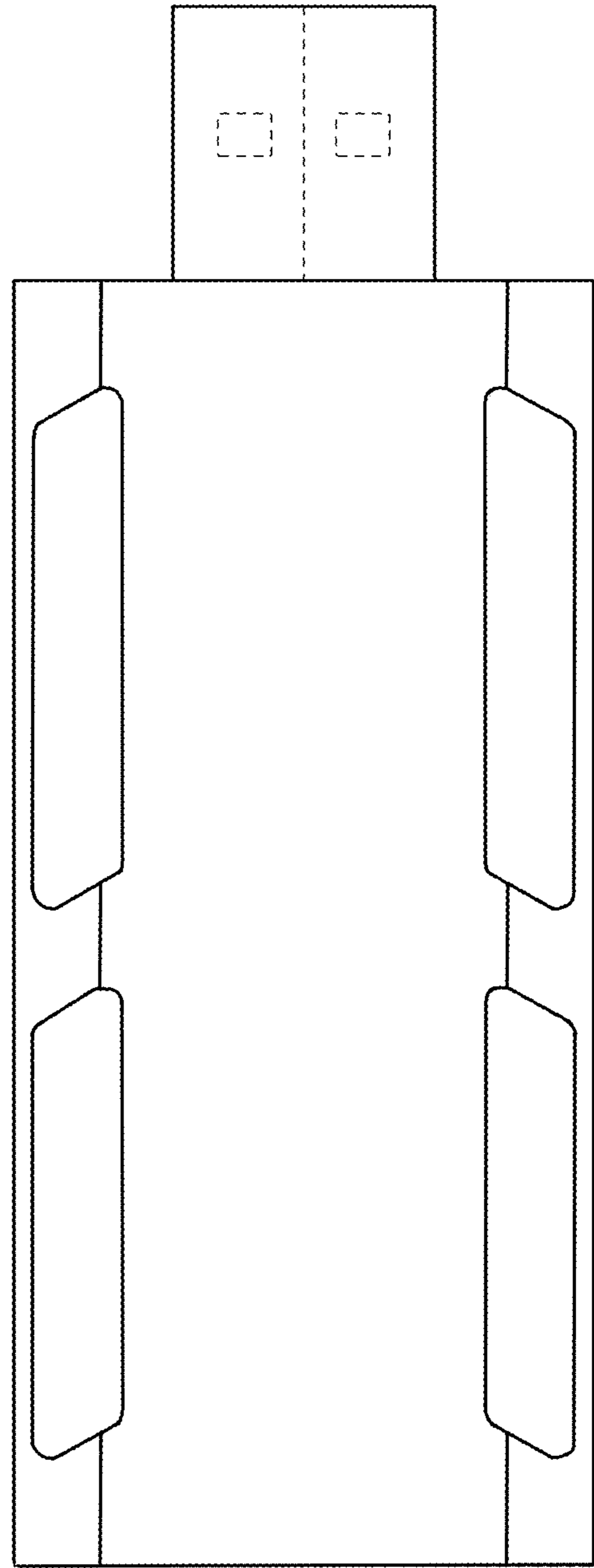


FIG. 6

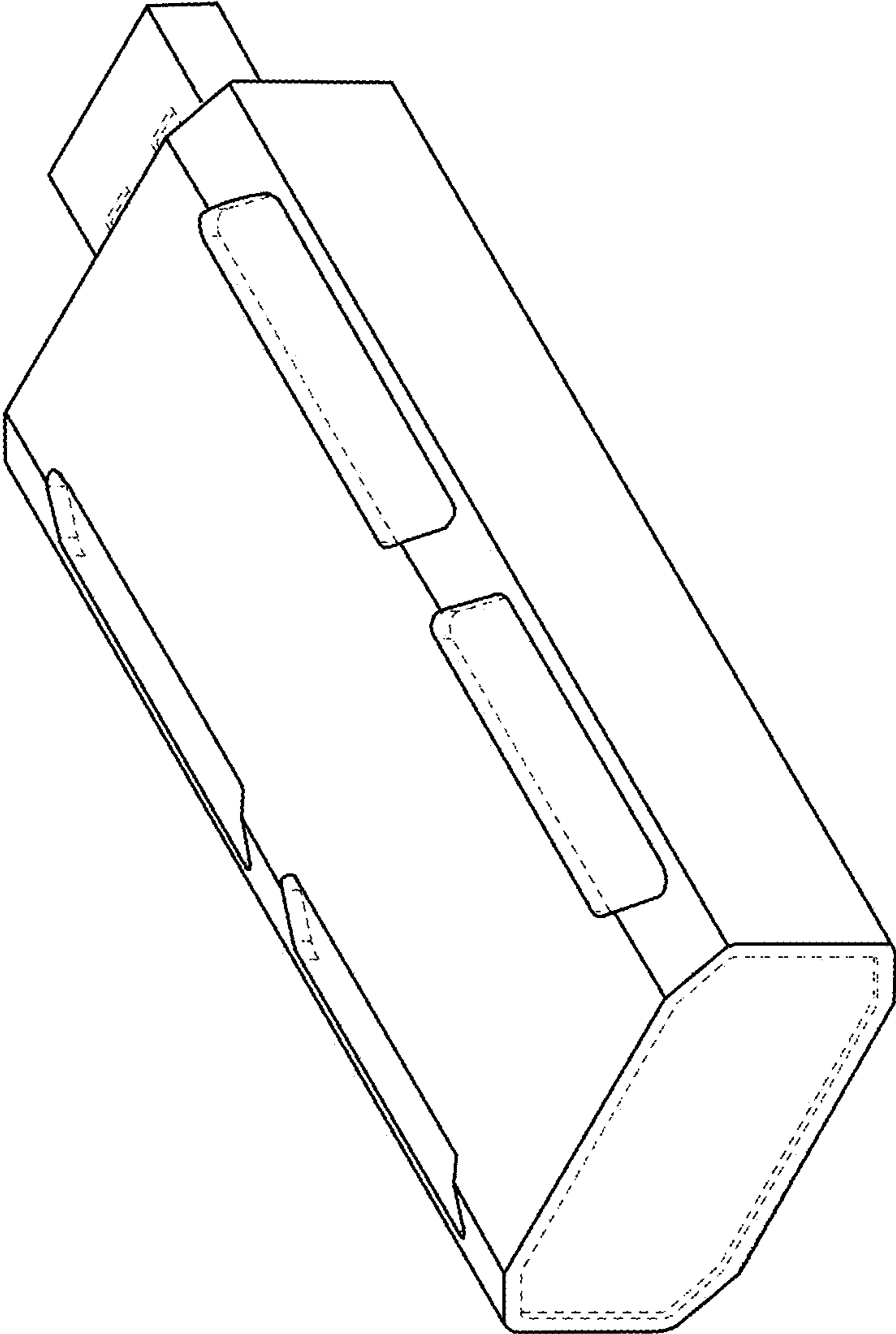


FIG. 7

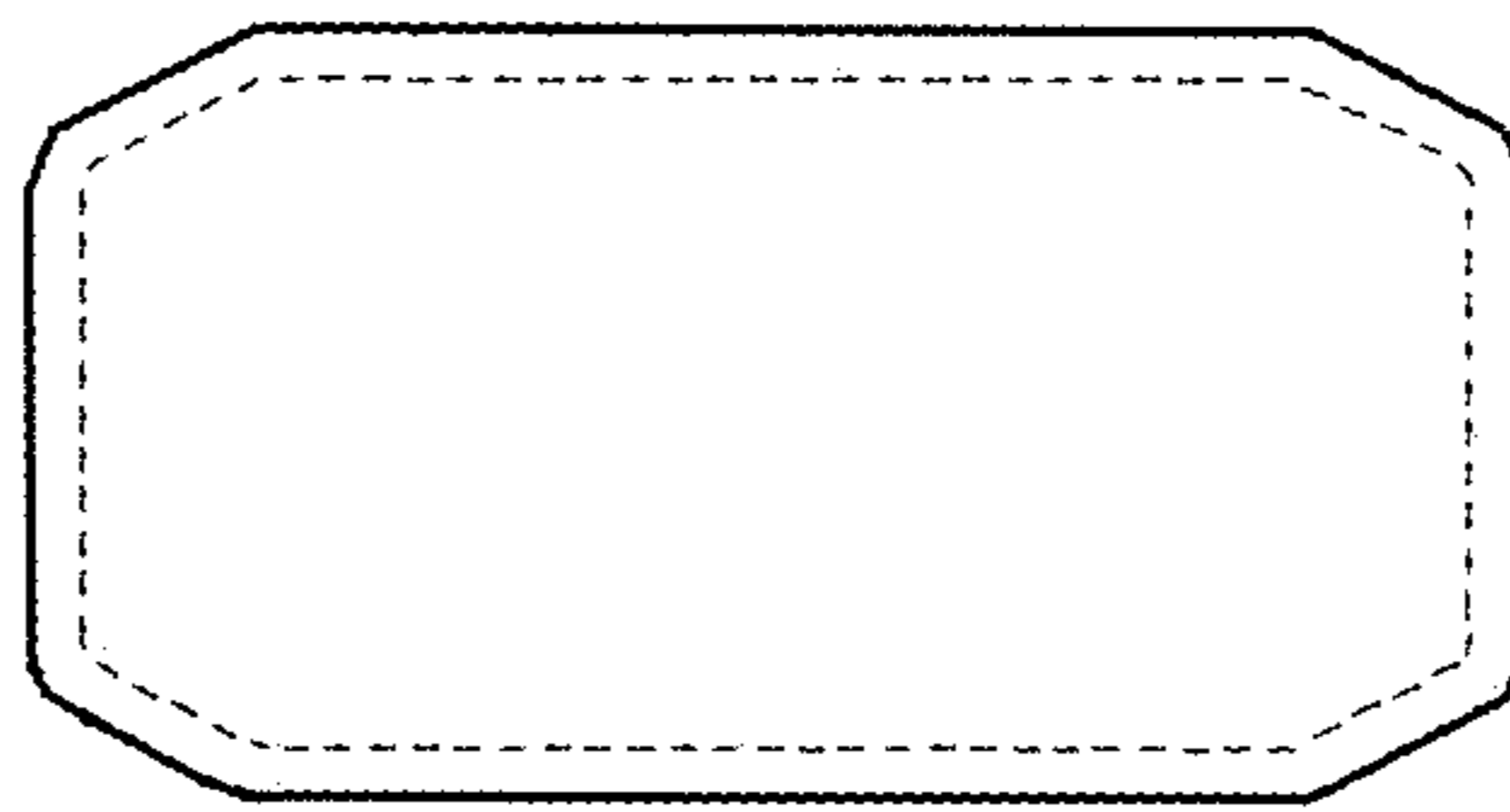


FIG. 8