



US00D974364S

(12) **United States Design Patent** (10) **Patent No.:** **US D974,364 S**
Li (45) **Date of Patent:** **** Jan. 3, 2023**

(54) **USB-C MULTIPOINT STORAGE HUB**

(71) Applicant: **SHENZHEN AZW TECHNOLOGY CO., LTD**, Shenzhen (CN)

(72) Inventor: **Jun Li**, Shenzhen (CN)

(**) Term: **15 Years**

(21) Appl. No.: **29/806,280**

(22) Filed: **Sep. 2, 2021**

(51) **LOC (14) Cl.** **14-02**

(52) **U.S. Cl.**
USPC **D14/433**

(58) **Field of Classification Search**

USPC D14/240, 242, 356, 358, 363, 365, 367,
D14/370, 432-437, 439, 498, 125, 366,
D14/168, 496; D13/147, 164, 123, 133,
D13/146, 110, 199, 103, 162, 159, 160,
D13/184; 361/683, 684, 686, 724, 735,
361/737, 752; D18/40

CPC H01R 25/006; H01R 27/02; H01R 31/005;
G06F 13/4022; G06F 13/382; G06F
1/1632; G06F 1/1684; G06F 1/20; G06F
1/1607

See application file for complete search history.

(56) **References Cited**

U.S. PATENT DOCUMENTS

D798,301 S * 9/2017 Kujawski D14/433
D828,839 S * 9/2018 Zhang D14/433
D828,840 S 9/2018 Zhang
D828,841 S 9/2018 Zhang
D845,303 S * 4/2019 Laffon de Mazieres D14/433
D847,139 S * 4/2019 Wang D14/433
D853,397 S 7/2019 Wang
D854,020 S 7/2019 Liao

D865,676 S 11/2019 Liao
D883,983 S * 5/2020 Zhang D14/433
D886,824 S * 6/2020 Zhan D14/433
D902,211 S * 11/2020 Jiang D14/433
D907,636 S * 1/2021 Chen D14/433
D909,385 S * 2/2021 Kong D14/433
D909,386 S * 2/2021 Turksu D14/433
D911,346 S * 2/2021 Turksu D14/433
D916,094 S * 4/2021 Liao D14/433
D933,071 S * 10/2021 Liu D14/433
D934,254 S * 10/2021 Jiang D14/433
D939,507 S * 12/2021 Li D14/433
D953,338 S * 5/2022 Zhang D14/433
D960,890 S * 8/2022 Zhang D14/433
D960,891 S * 8/2022 Liu D14/433
D962,946 S * 9/2022 Qiang D14/433
D968,410 S * 11/2022 Zhang D14/433

* cited by examiner

Primary Examiner — Austin Murphy

(74) *Attorney, Agent, or Firm* — Rumit Ranjit Kanakia

(57) **CLAIM**

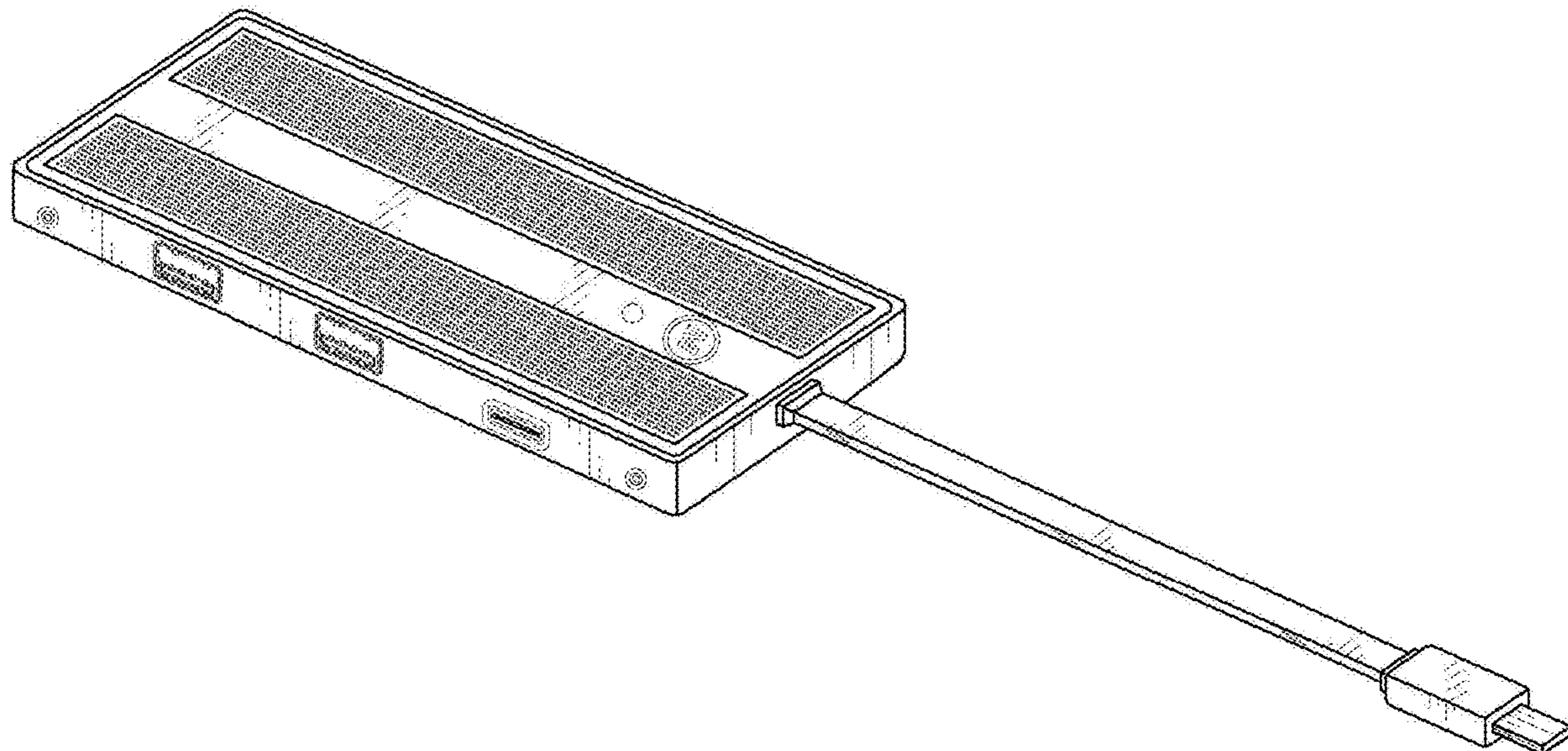
I claim the ornamental design for a USB-C multipoint storage hub, as shown and described.

DESCRIPTION

FIG. 1 is a Perspective view of a USB-C multipoint storage hub showing my new design;
FIG. 2 is a Top view thereof;
FIG. 3 is a Bottom view thereof;
FIG. 4 is a Right-side view thereof;
FIG. 5 is a Left-side view thereof;
FIG. 6 is a Back view thereof; and,
FIG. 7 is a Front view thereof.

The broken lines in the drawings depict portions of the USB-C multipoint storage hub that form no part of the claimed design.

1 Claim, 5 Drawing Sheets



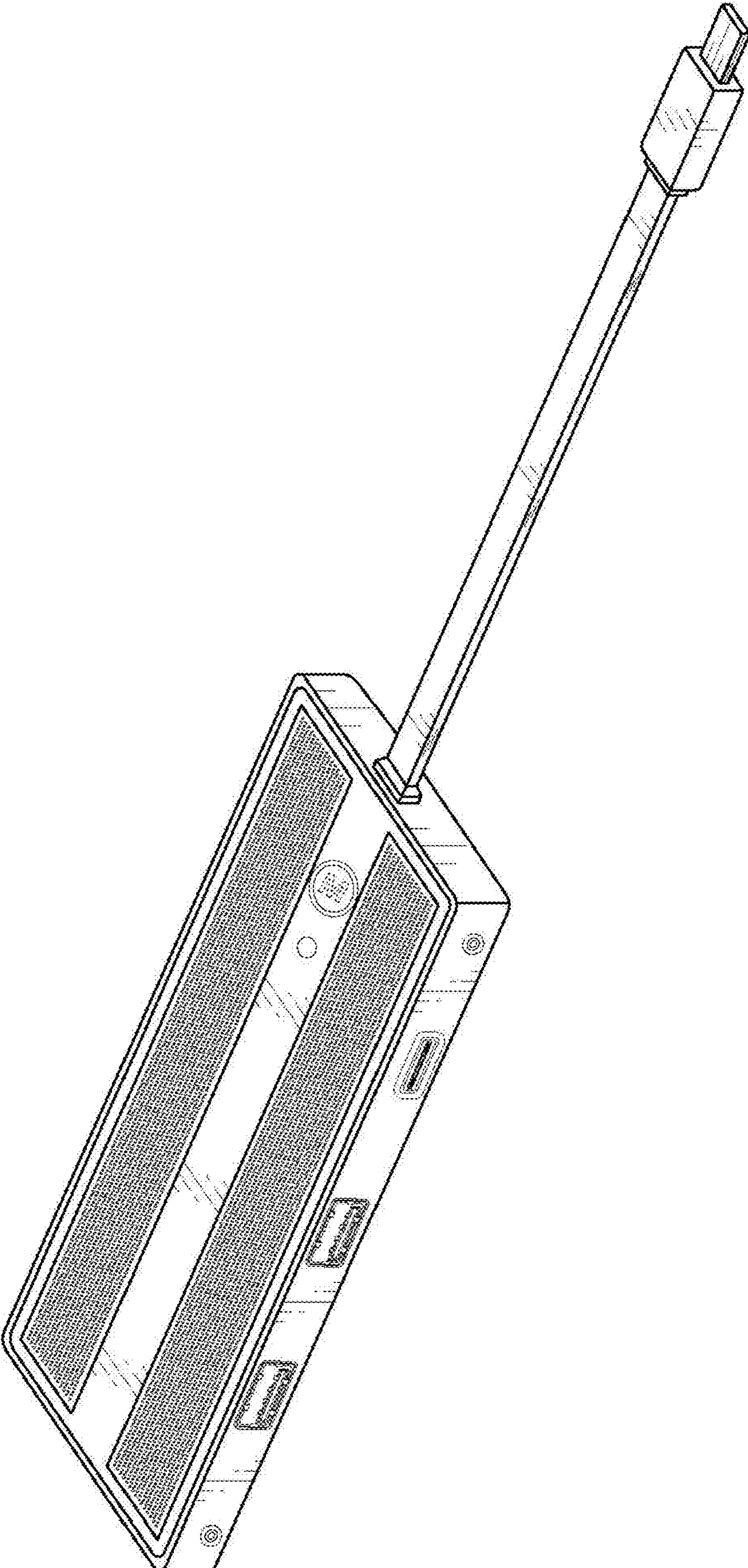


FIG. 1

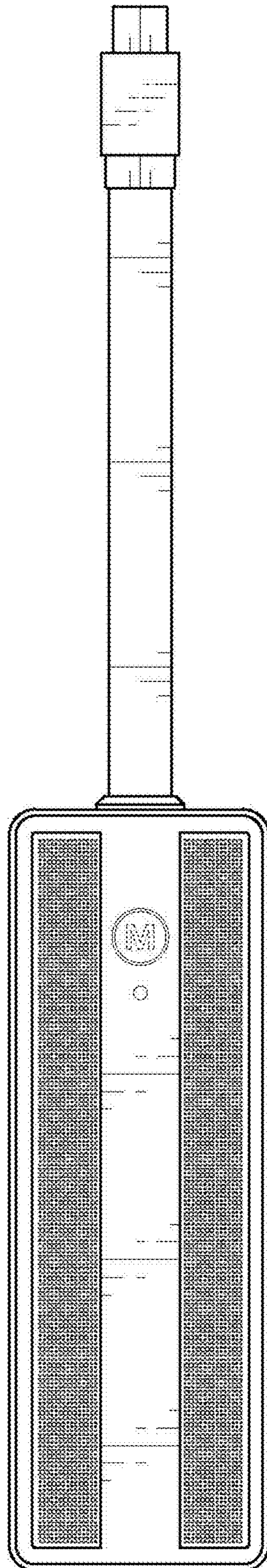


FIG. 2

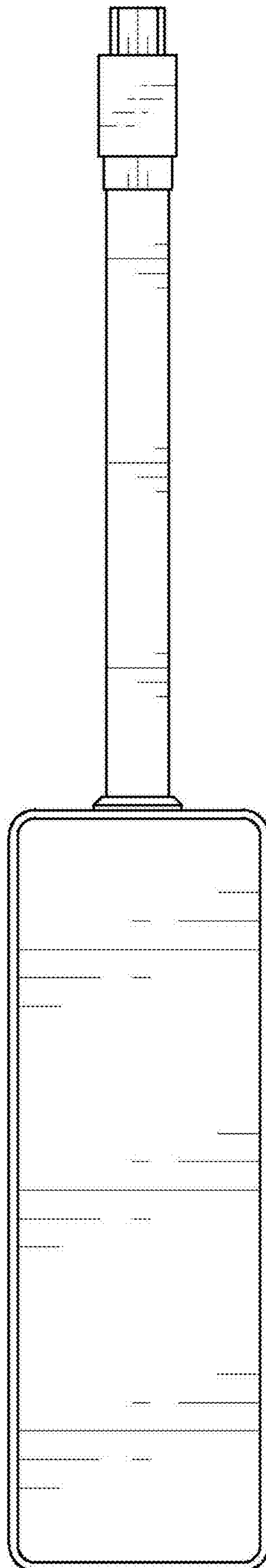


FIG. 3

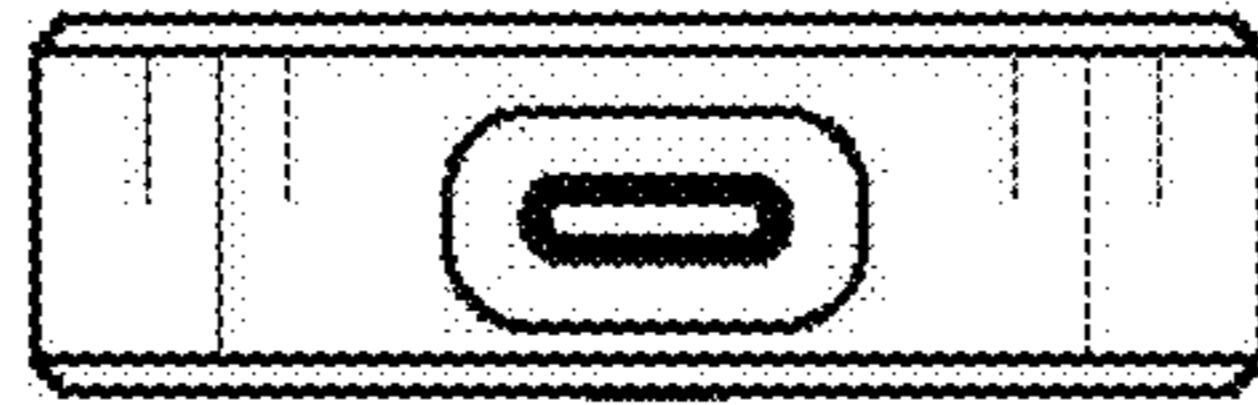


FIG. 4

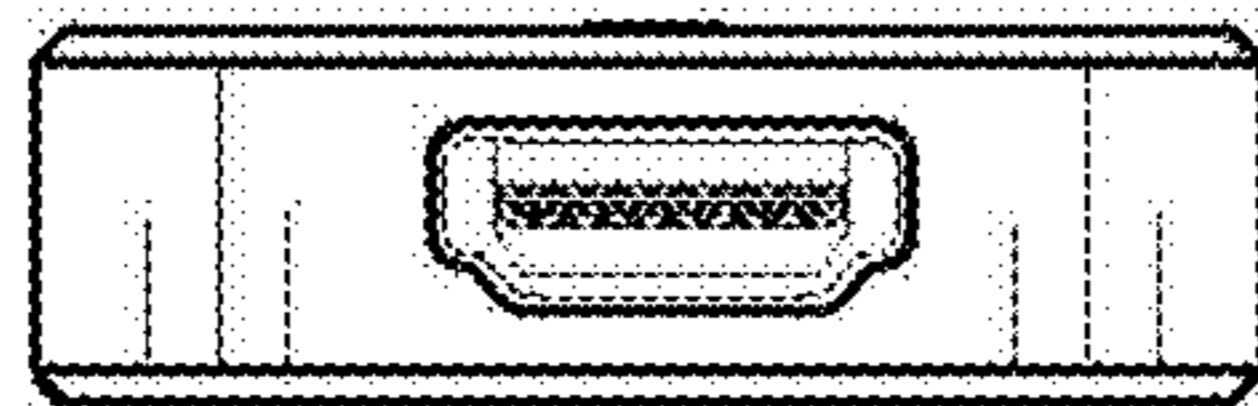


FIG. 5

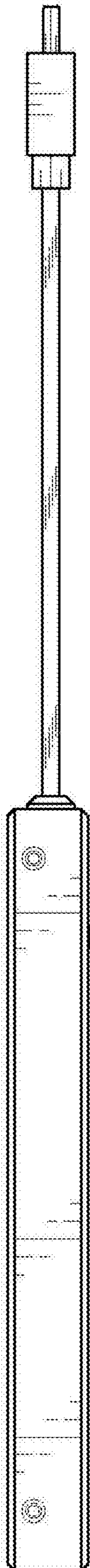


FIG. 6

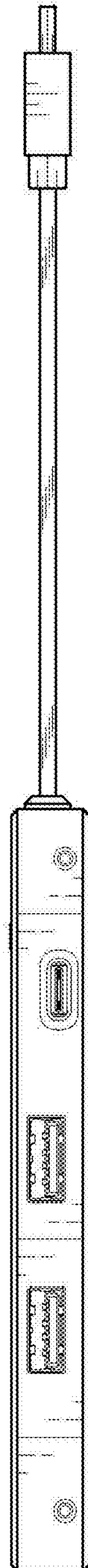


FIG. 7