



US00D974362S

(12) **United States Design Patent** (10) **Patent No.:** **US D974,362 S**  
**Li** (45) **Date of Patent:** **\*\* Jan. 3, 2023**

- (54) **COMPUTER KEYBOARD**
- (71) Applicant: **SHENZHEN RUI CHI TECHNOLOGY CO., LTD.**, Shenzhen (CN)
- (72) Inventor: **Kaijun Li**, Shenzhen (CN)
- (73) Assignee: **SHENZHEN RUI CHI TECHNOLOGY CO., LTD.**, Shenzhen (CN)
- (\*\*) Term: **15 Years**
- (21) Appl. No.: **29/762,306**
- (22) Filed: **Dec. 16, 2020**
- (51) **LOC (14) Cl.** ..... **14-02**
- (52) **U.S. Cl.**  
USPC ..... **D14/392**; D14/400; D14/454
- (58) **Field of Classification Search**  
USPC ..... D14/331, 333, 334, 335, 338, 339, 340, D14/346, 347, 356, 383, 384, 387, 388, D14/389, 390, 391, 392, 393, 394, 395, D14/396, 397, 398, 399, 400, 401, 407, D14/416, 417, 432, 454, 455, 456, 457, D14/460, 461; D18/1, 2, 4.2, 12, 12.2; D21/324, 333  
CPC ..... G06F 3/02; G06F 3/0219; G06F 3/0231; G06F 3/0202; G06F 3/0213; G06F 3/0238; G06F 3/03546; G06F 3/03549; G06F 3/0205; B41J 5/10; B41J 5/12; B41J 5/107; B41J 5/14; B41J 5/17; B41J 7/34  
See application file for complete search history.

(56) **References Cited**  
U.S. PATENT DOCUMENTS

D371,352 S \* 7/1996 Bertram ..... D17/1  
D716,810 S \* 11/2014 Fujita ..... D14/392  
D873,271 S \* 1/2020 Hu ..... D14/392

D911,337 S \* 2/2021 Li ..... D14/392  
2003/0006128 A1\* 1/2003 Giles ..... H01H 13/705  
200/314  
2014/0027259 A1\* 1/2014 Kawana ..... H01H 13/705  
200/517

**OTHER PUBLICATIONS**

HK Gaming GK61 Mechanical Gaming Keyboard. Hong Kong Keyboards, amazon.com (online) 14 pages. Posted Mar. 17, 2019. [Retrieved May 5, 2022] [https://www.amazon.com/dp/B07R1PZT85/ref=cm\\_sw\\_em\\_r\\_mt\\_dp\\_XSMZCBQD138K3TS6T5QS](https://www.amazon.com/dp/B07R1PZT85/ref=cm_sw_em_r_mt_dp_XSMZCBQD138K3TS6T5QS) (Year: 2019).\*

Kemove 60% Mechanical Gaming Keyboard. Kemove, amazon.com (online) 12 pages. Posted Dec. 31, 2021. [Retrieved May 5, 2022] [https://www.amazon.com/dp/B09LM8WMGW/ref=cm\\_sw\\_em\\_r\\_mt\\_dp\\_DW6H755EJEYWRWGWD3W4](https://www.amazon.com/dp/B09LM8WMGW/ref=cm_sw_em_r_mt_dp_DW6H755EJEYWRWGWD3W4) (Year: 2021).\*

\* cited by examiner

*Primary Examiner* — Kathleen L Jones  
*Assistant Examiner* — Cole Sanders Holman

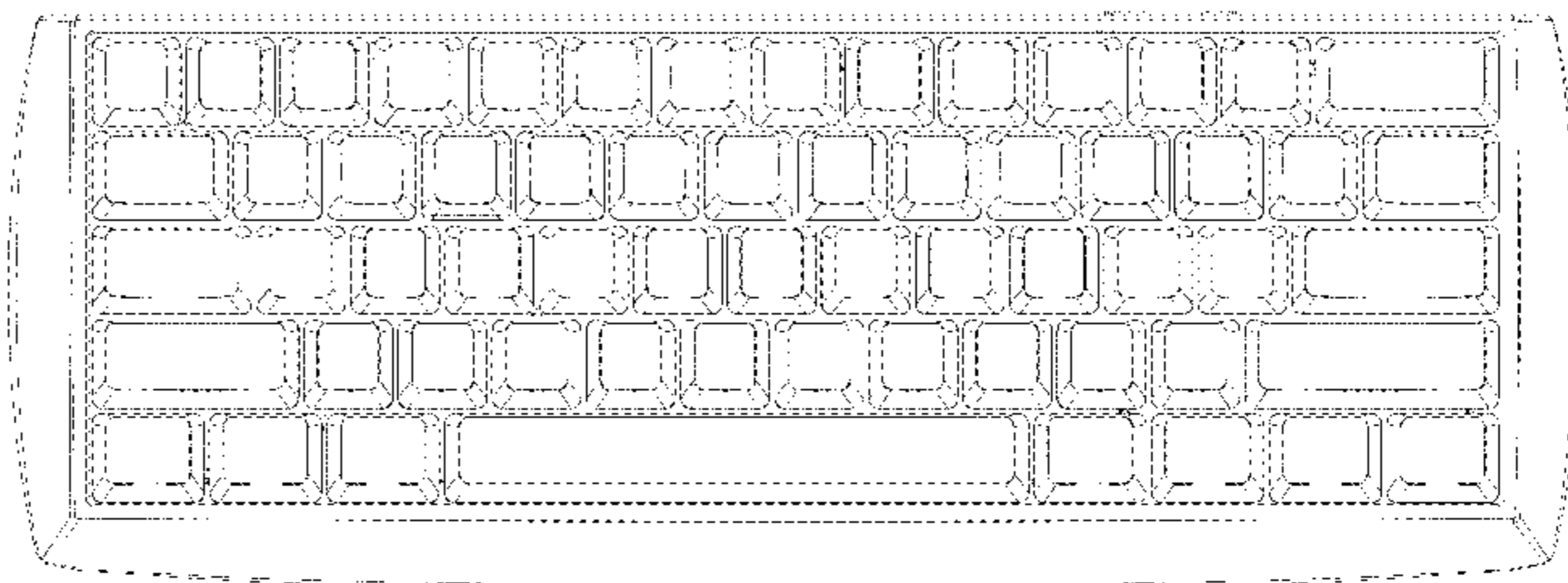
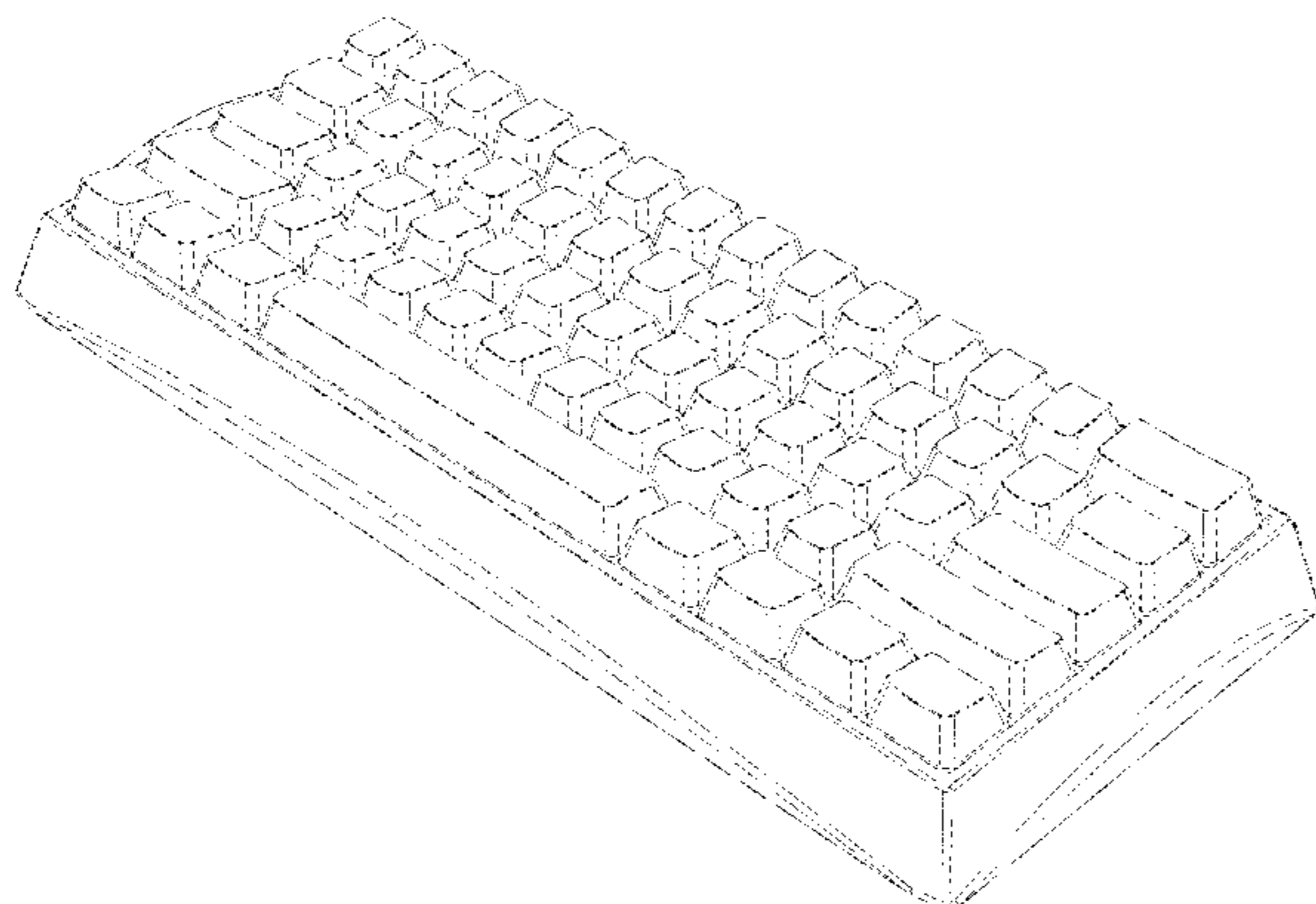
(57) **CLAIM**

The ornamental design for a computer keyboard, as shown and described.

**DESCRIPTION**

FIG. 1 is a perspective view of a computer keyboard showing my new design;  
FIG. 2 is a front elevational view thereof;  
FIG. 3 is a rear elevational view thereof;  
FIG. 4 is a left side elevational view thereof;  
FIG. 5 is a right side elevational view thereof;  
FIG. 6 is a top plan view thereof;  
FIG. 7 is a bottom plan view thereof; and,  
FIG. 8 is an enlarged view of portion 8 shown in FIG. 4.  
The dash-dash broken lines in the drawings depict portions of the computer keyboard that form no part of the claimed design. The dot-dash broken lines represent the boundary of the enlarged portion and form no part of the claimed design.

**1 Claim, 8 Drawing Sheets**



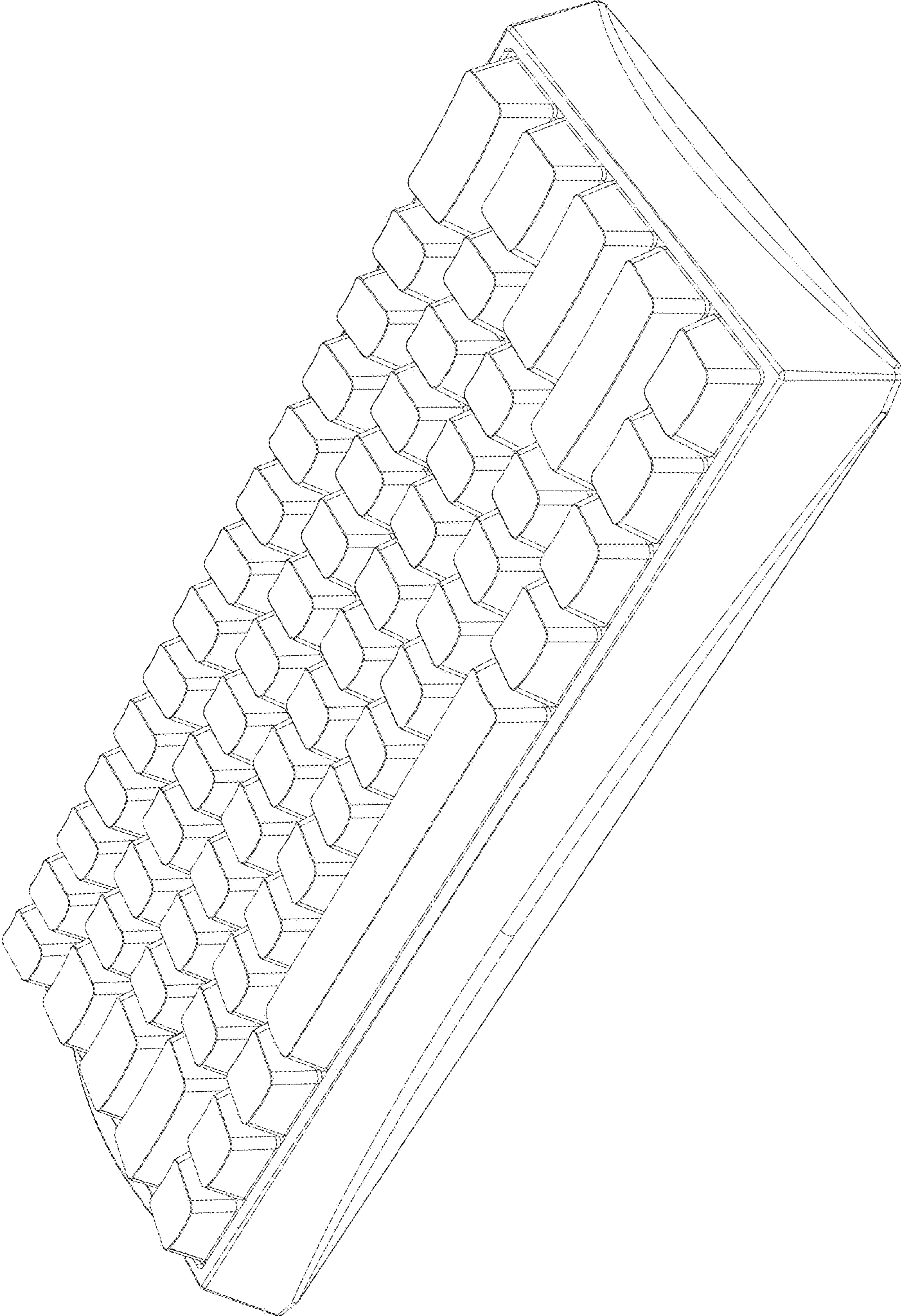


FIG. 1

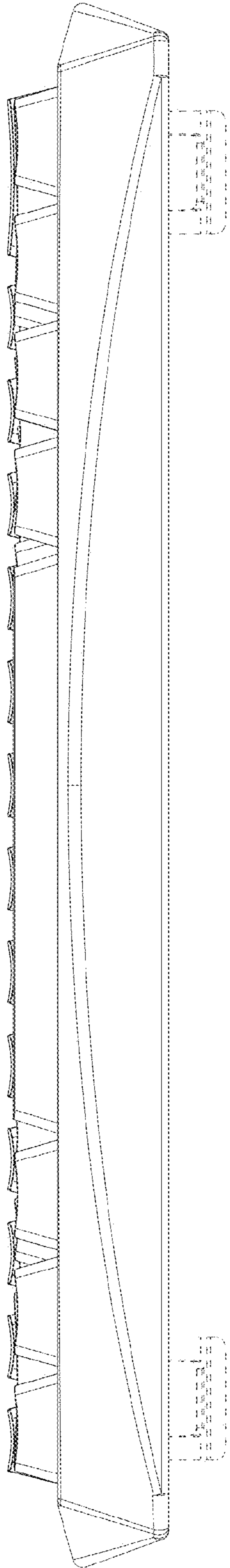


FIG.2

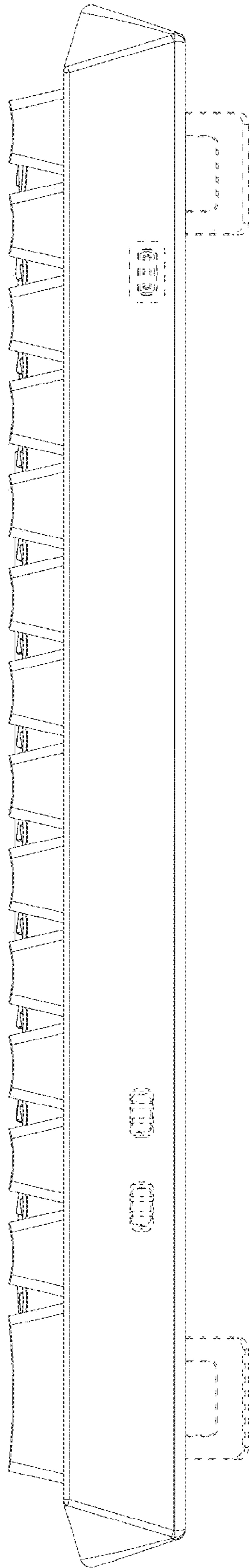


FIG.3

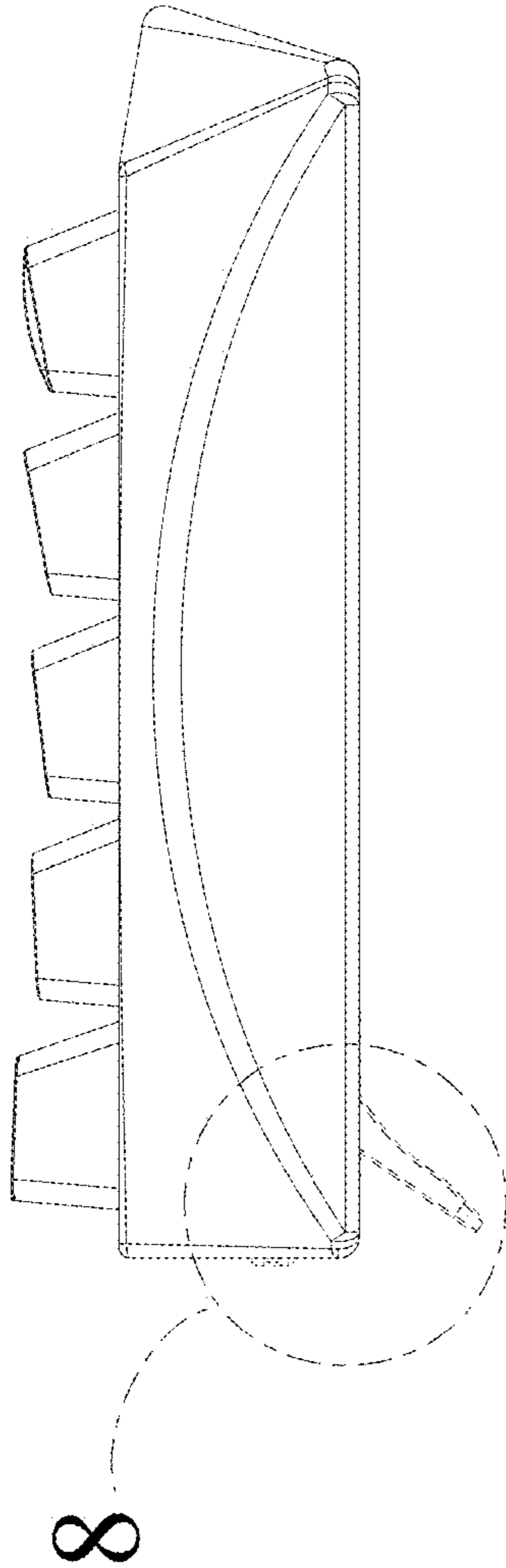


FIG.4

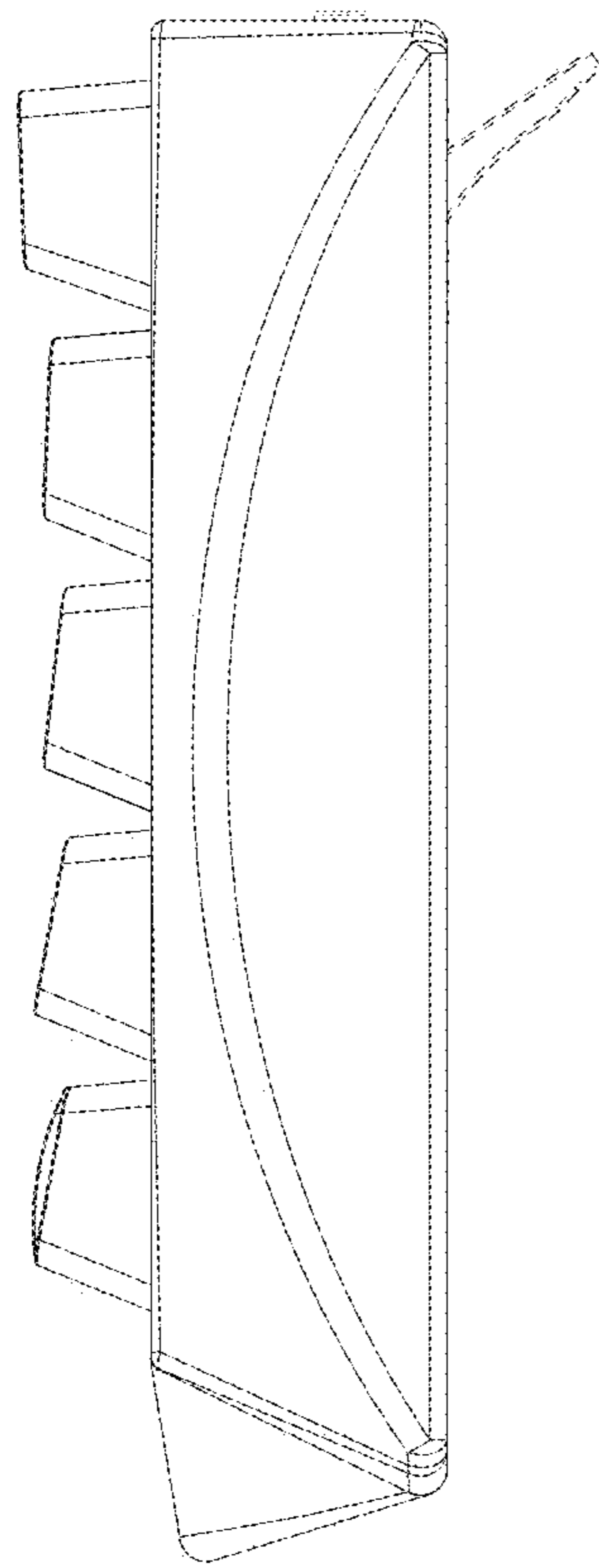


FIG. 5

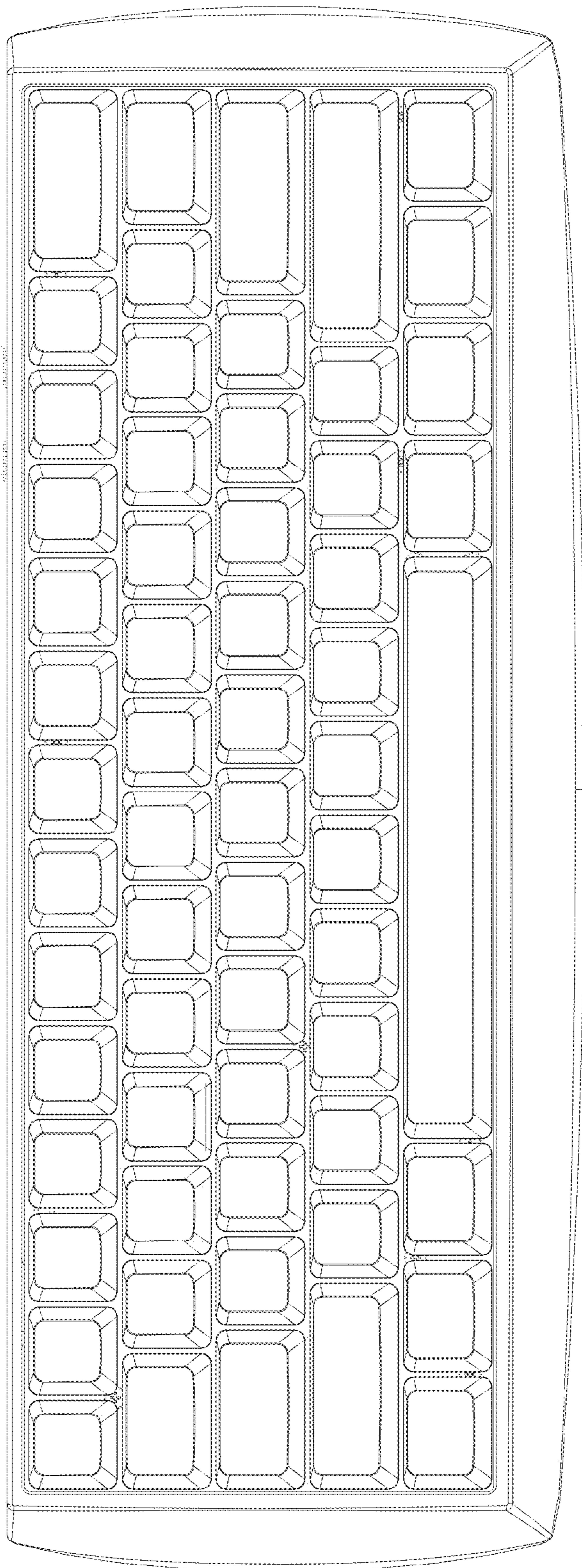


FIG. 6

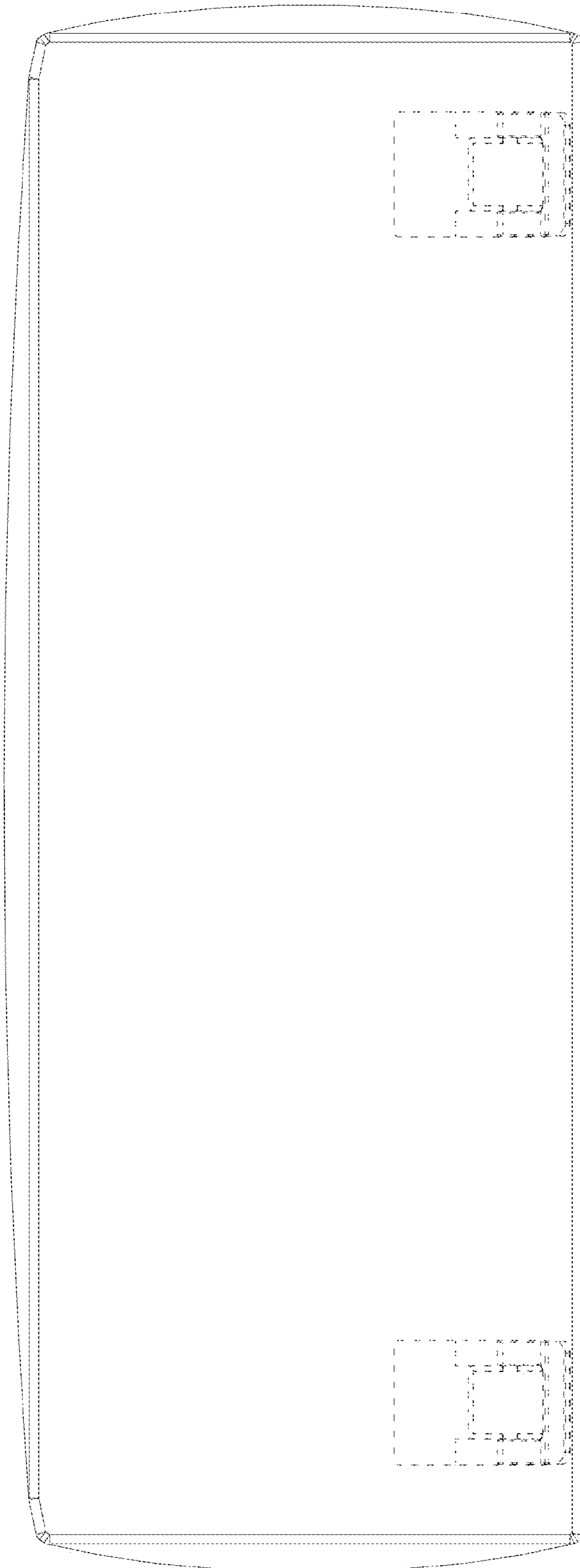


FIG. 7



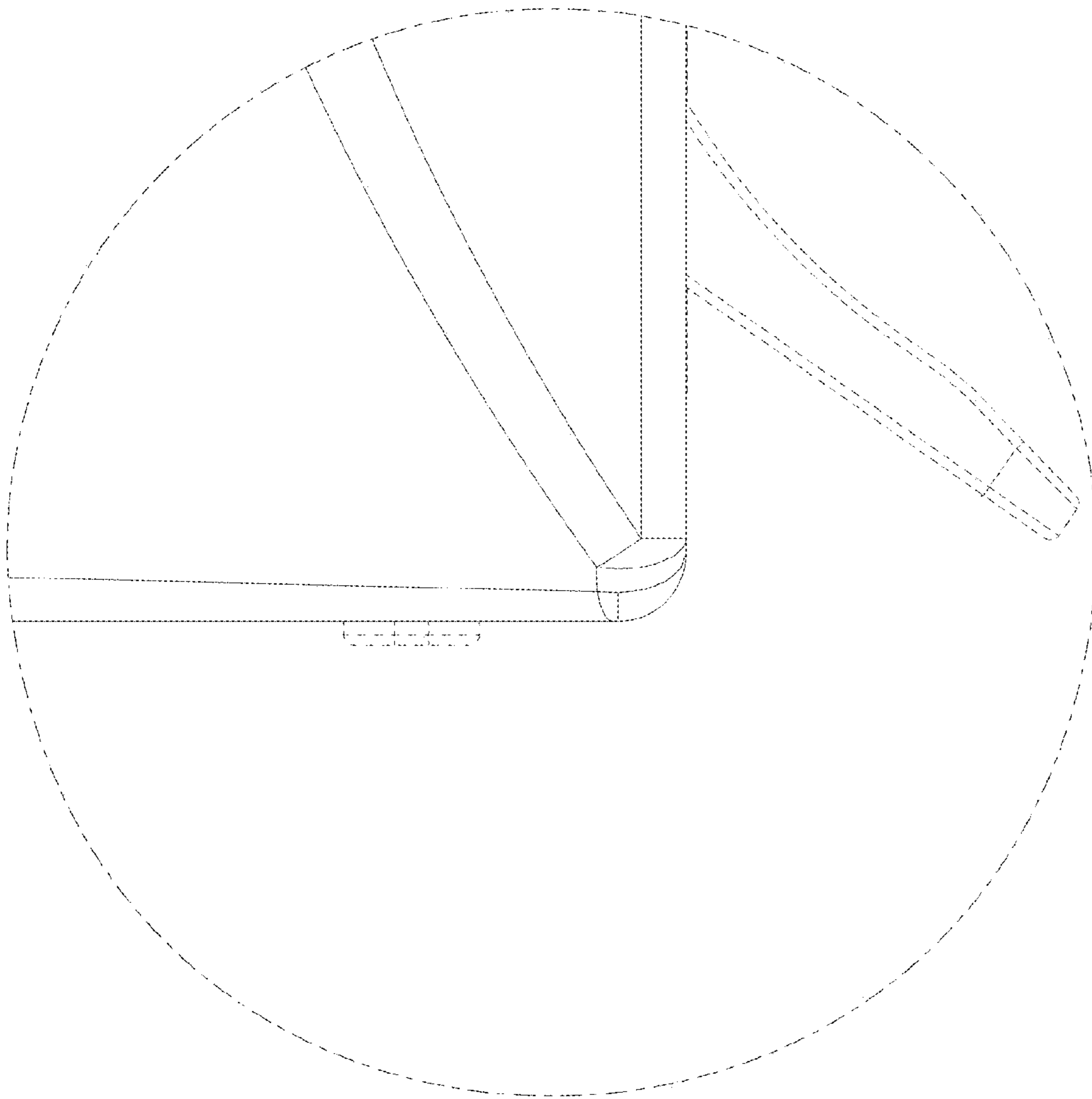


FIG. 8