



US00D974360S

(12) **United States Design Patent** (10) **Patent No.:** **US D974,360 S**  
**Lyu** (45) **Date of Patent:** **\*\* Jan. 3, 2023**

(54) **MONITOR WALL MOUNT APPARATUS**  
(71) Applicant: **NINGBO KAIRUI ZHAOZHI TRADING CO., LTD.,** Ningbo (CN)  
(72) Inventor: **Yaqi Lyu,** Shenzen (CN)  
(73) Assignee: **NINGBO KAIRUI ZHAOZHI TRADING CO., LTD.,** Ningbo (CN)

D904,360 S \* 12/2020 Pei ..... D14/239  
D905,070 S \* 12/2020 Pei ..... D14/451  
D907,018 S \* 1/2021 Pei ..... D14/239  
D910,607 S \* 2/2021 Lyu ..... D14/239  
D911,320 S \* 2/2021 Lyu ..... D14/239  
D912,022 S \* 3/2021 Lyu ..... D14/239  
D912,023 S \* 3/2021 Lyu ..... D14/239

(Continued)

(\*\*) Term: **15 Years**  
(21) Appl. No.: **29/727,737**

CN 305933625 \* 7/2020  
CN 305751080 \* 5/2021

FOREIGN PATENT DOCUMENTS

(22) Filed: **Mar. 12, 2020**  
(51) **LOC (14) Cl.** ..... **14-02**  
(52) **U.S. Cl.**  
USPC ..... **D14/375;** D14/239  
(58) **Field of Classification Search**  
USPC ... D14/203.8, 214, 224, 229, 238, 253, 316,  
D14/324, 372, 374-377, 388-389, 434,  
D14/447, 452, 209, 239, 451; D20/10,  
D20/15, 40, 42-44; D8/306, 363,  
D8/380-382  
CPC ..... A47G 1/141; A47G 1/0605; A47G 1/142;  
G09F 1/12; G06Q 20/202  
See application file for complete search history.

OTHER PUBLICATIONS

Universal Wall Mount, One For All, amazon.com, published by One For All Store on Apr. 6, 2017 © 1996-2021 Amazon.com, Inc., online, site visited Mar. 27, 2021. Available at URL: <https://www.amazon.com/One-All-32-84-Bracket-Double/dp/B01IVQW1HY?th=1> (Year: 2017).\*

*Primary Examiner* — Holly E Thurman  
*Assistant Examiner* — Altaira J Swangin

(57) **CLAIM**

The ornamental design for a monitor wall mount apparatus, as shown and described.

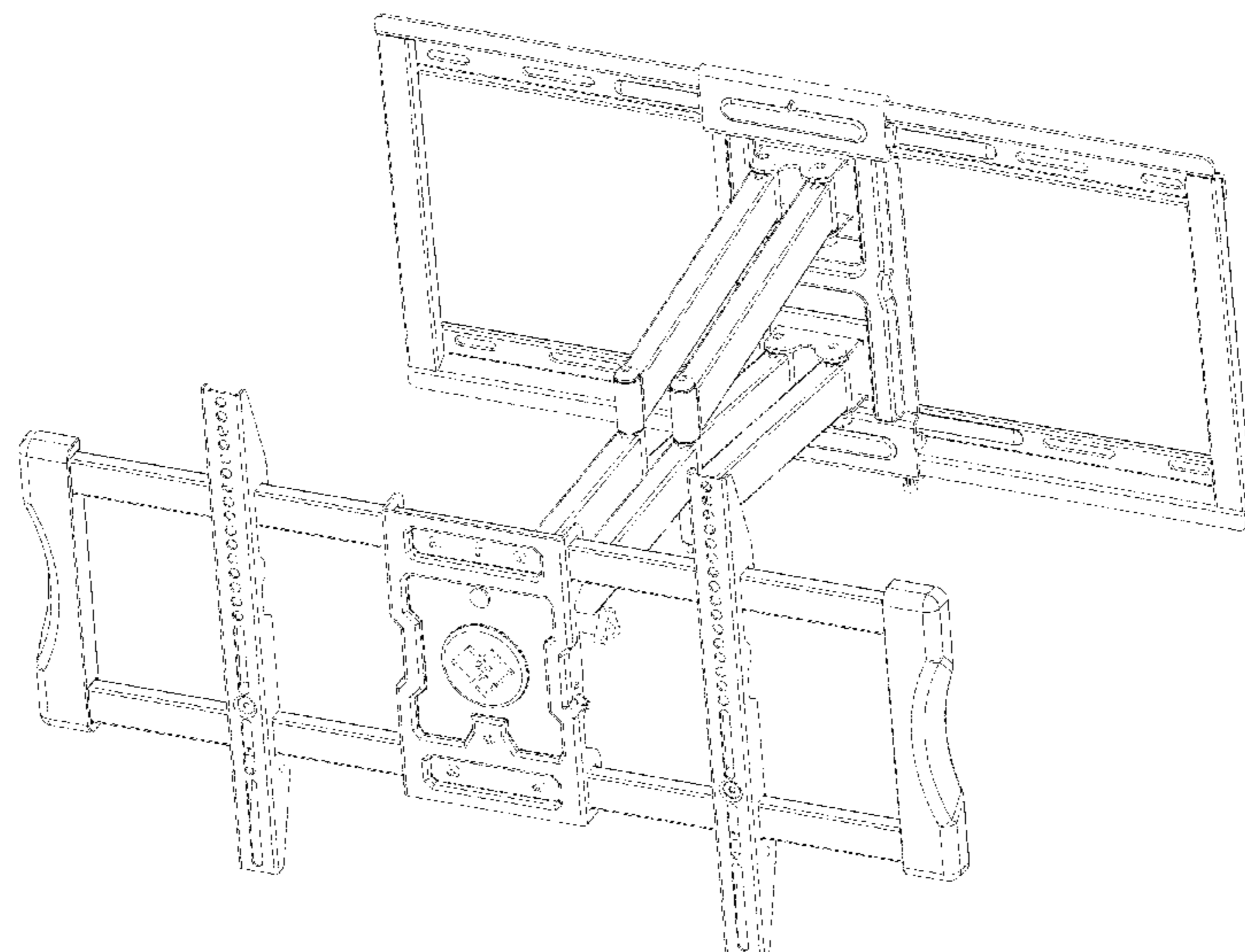
**DESCRIPTION**

FIG. 1 is a perspective view of a monitor wall mount apparatus showing my new design;  
FIG. 2 is a front elevational view thereof;  
FIG. 3 is a rear elevational view thereof;  
FIG. 4 is a left side elevational view thereof;  
FIG. 5 is a right side elevational view thereof;  
FIG. 6 is a top plan view thereof; and,  
FIG. 7 is a bottom plan view thereof.  
The broken lines in the drawings depict portions of the monitor wall mount apparatus and form no part of the claimed design.

**1 Claim, 7 Drawing Sheets**

(56) **References Cited**  
U.S. PATENT DOCUMENTS

D539,125 S \* 3/2007 Ly Hau ..... D8/373  
D593,081 S \* 5/2009 Grolle ..... D14/239  
D621,820 S \* 8/2010 Liang ..... D14/239  
D631,875 S \* 2/2011 Skull ..... D14/239  
D635,130 S \* 3/2011 Skull ..... D14/239  
D703,641 S \* 4/2014 Xiang ..... D14/239  
D800,102 S \* 10/2017 Wu ..... D14/239  
D811,375 S \* 2/2018 Pei ..... D14/239  
D811,376 S \* 2/2018 Pei ..... D14/239  
D836,617 S \* 12/2018 Shu ..... D14/239  
D852,790 S \* 7/2019 Pei ..... D14/239  
D858,493 S \* 9/2019 Pei ..... D14/239  
D888,027 S \* 6/2020 Pei ..... D14/239



(56)

**References Cited**

U.S. PATENT DOCUMENTS

D912,026	S	*	3/2021	Lyu	.....	D14/239
D912,028	S	*	3/2021	Shu	.....	D14/239
D913,998	S	*	3/2021	Pei	.....	D14/239
D914,000	S	*	3/2021	Shu	.....	D14/239
D916,063	S	*	4/2021	Lyu	.....	D14/239
D925,508	S	*	7/2021	Lyu	.....	D14/239
D928,753	S	*	8/2021	Lyu	.....	D14/239
D933,671	S	*	10/2021	Lyu	.....	D14/452
D934,209	S	*	10/2021	Lyu	.....	D14/239
D935,871	S	*	11/2021	Lu	.....	D14/239
D937,281	S	*	11/2021	Pei	.....	D14/452
D942,434	S	*	2/2022	Lyu	.....	D14/239
2019/0390817	A1	*	12/2019	Pei	.....	F16M 11/10
2020/0340614	A1	*	10/2020	Pei	.....	F16M 11/2092
2021/0332936	A1	*	10/2021	Lyu	.....	F16M 11/048

\* cited by examiner

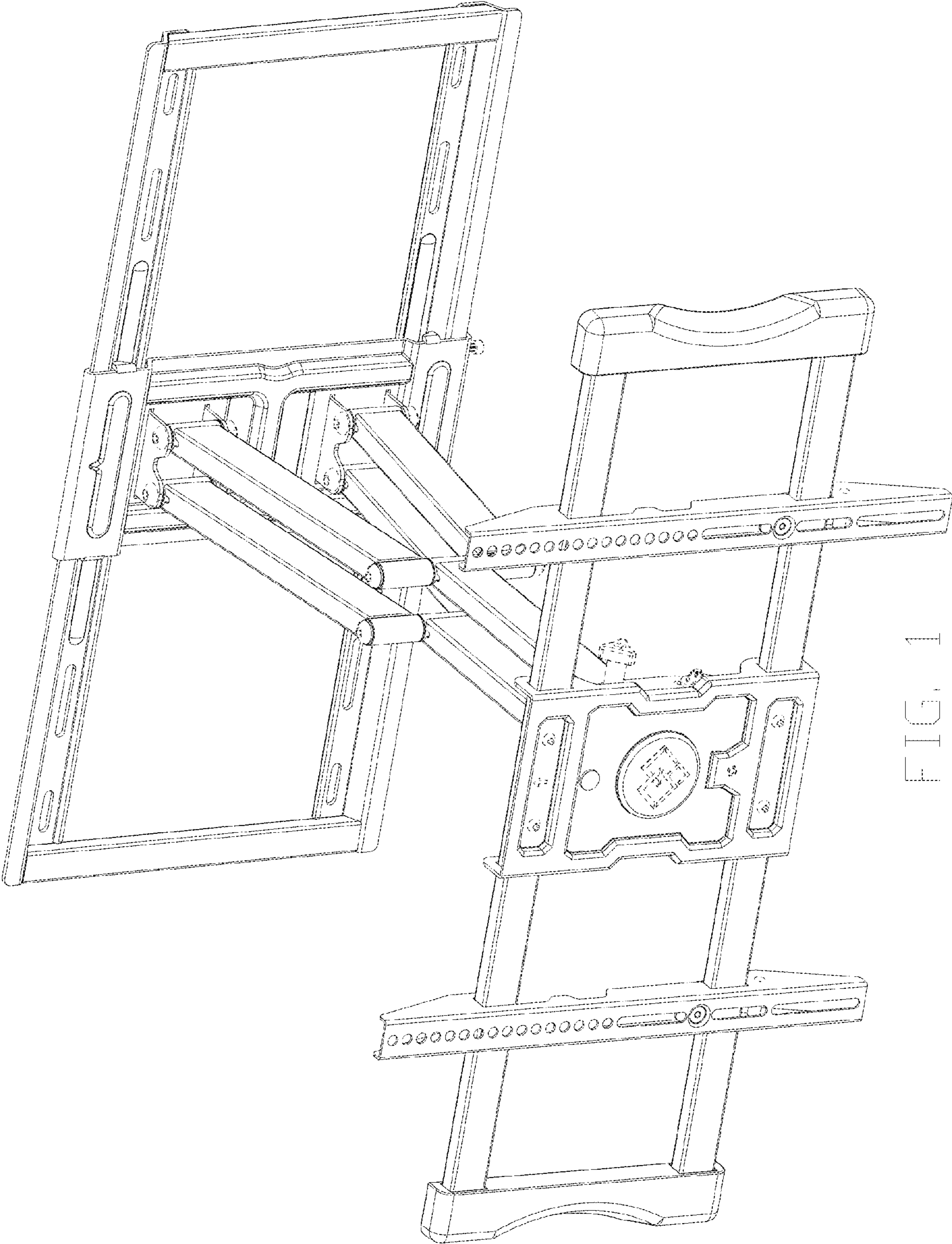


FIG. 1

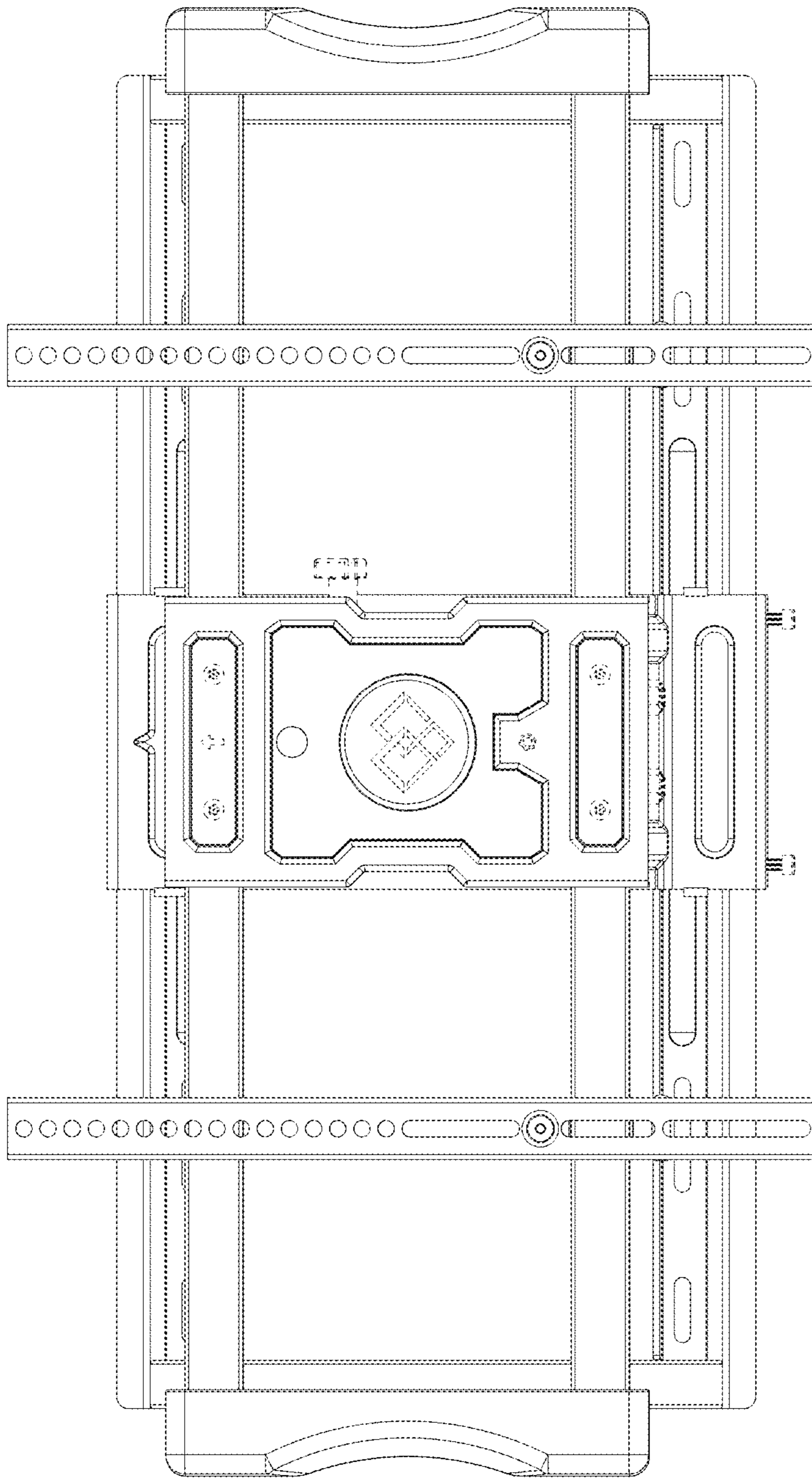


FIG. 2

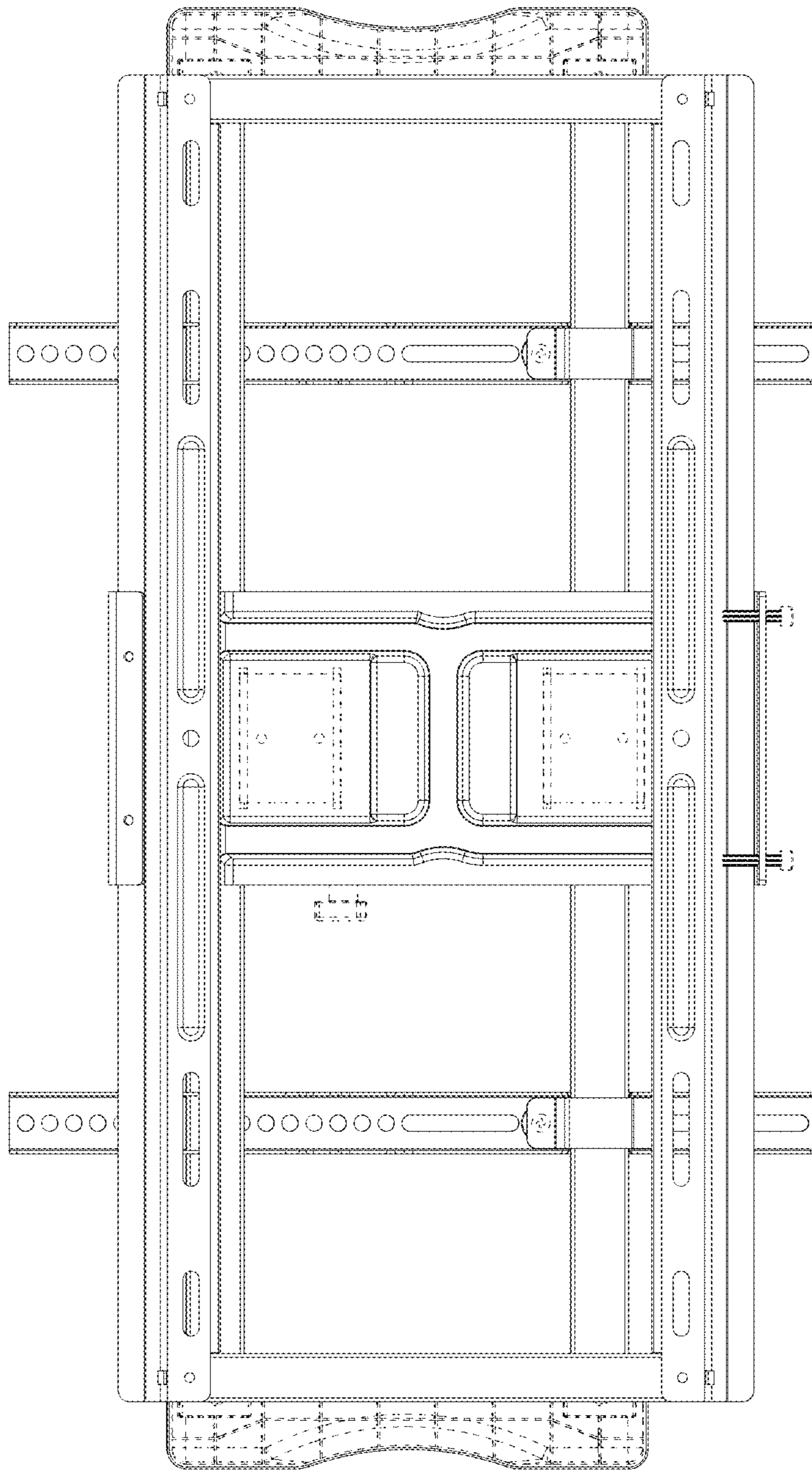


FIG. 3

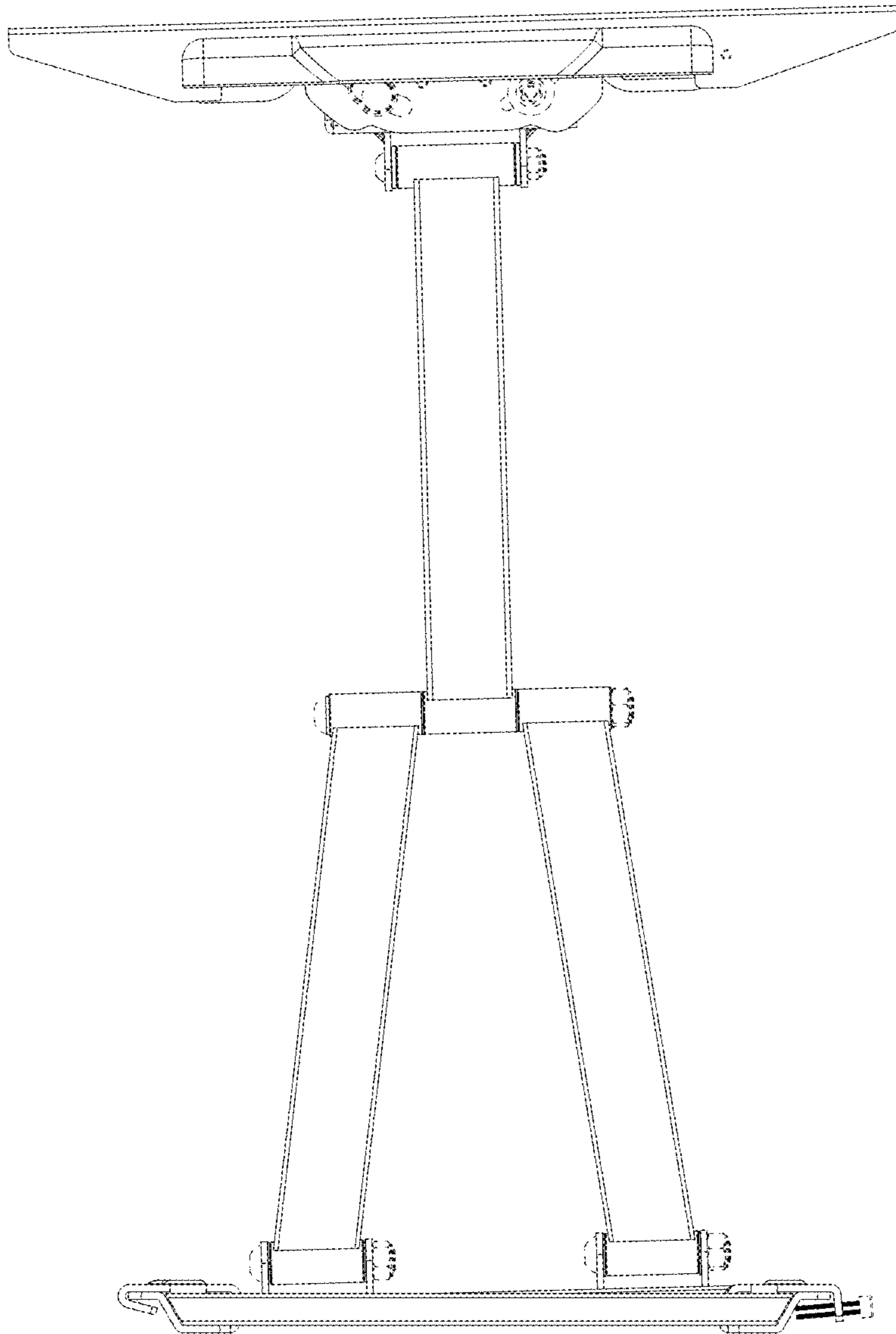


FIG. 4

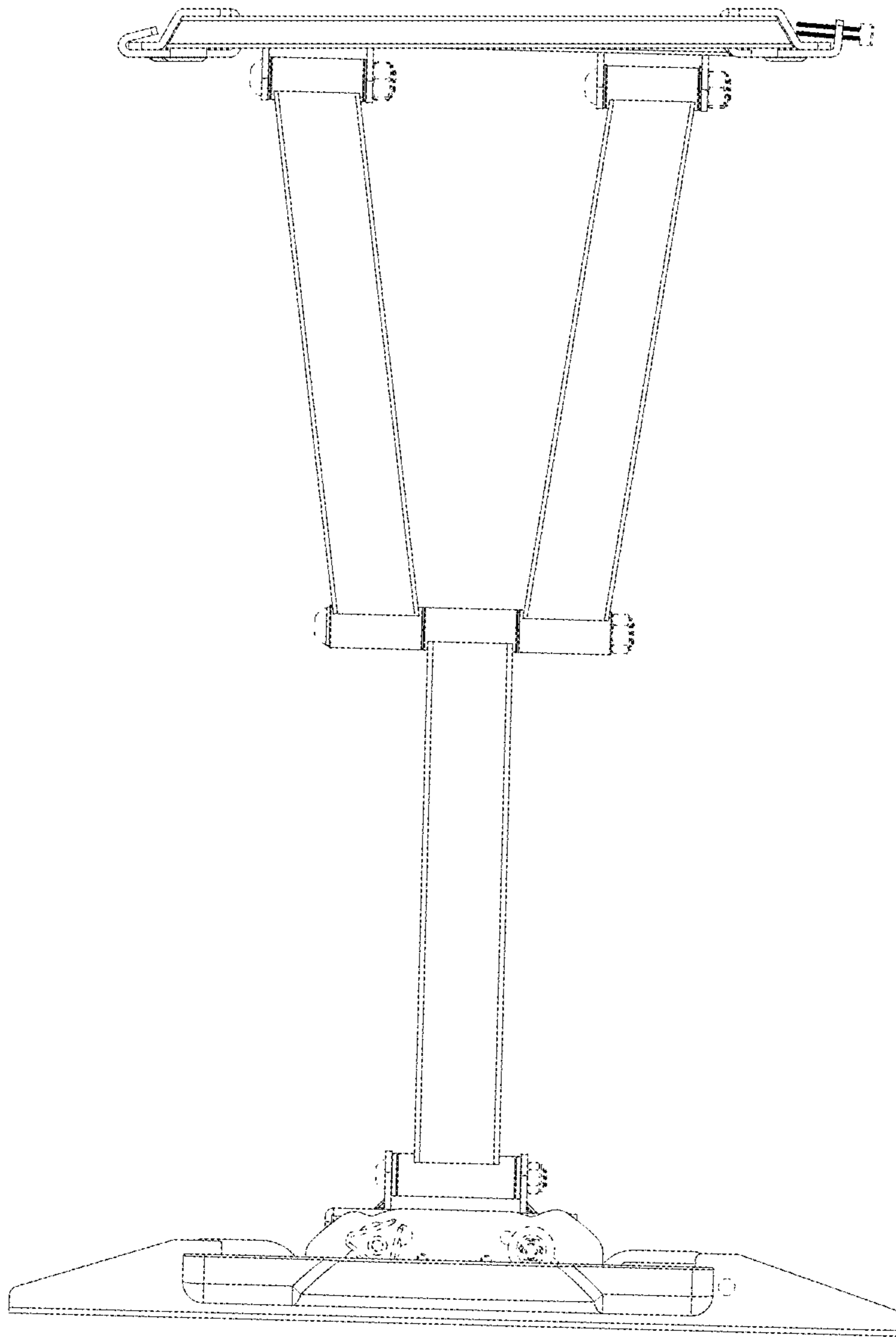


FIG. 5

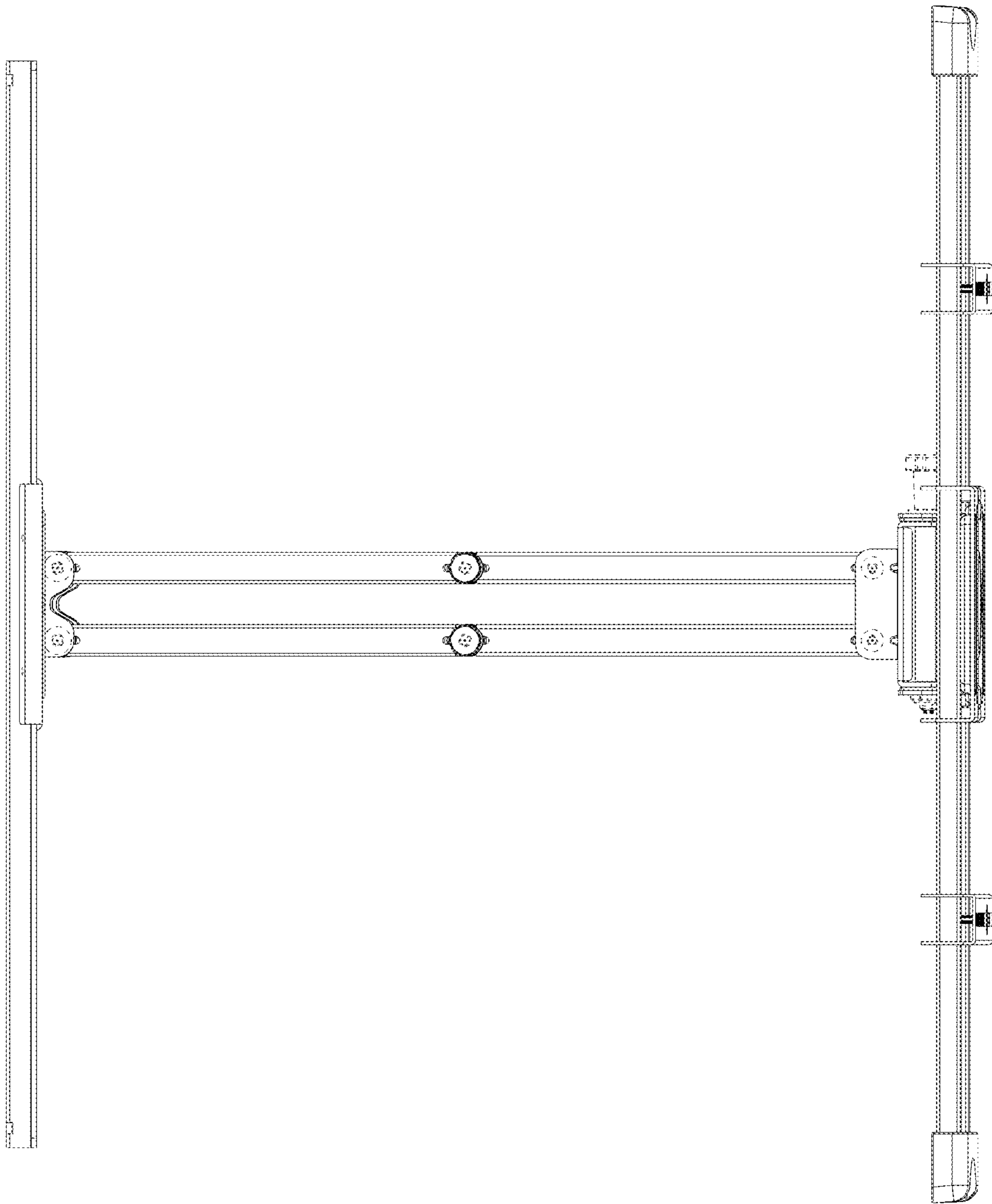


FIG. 6



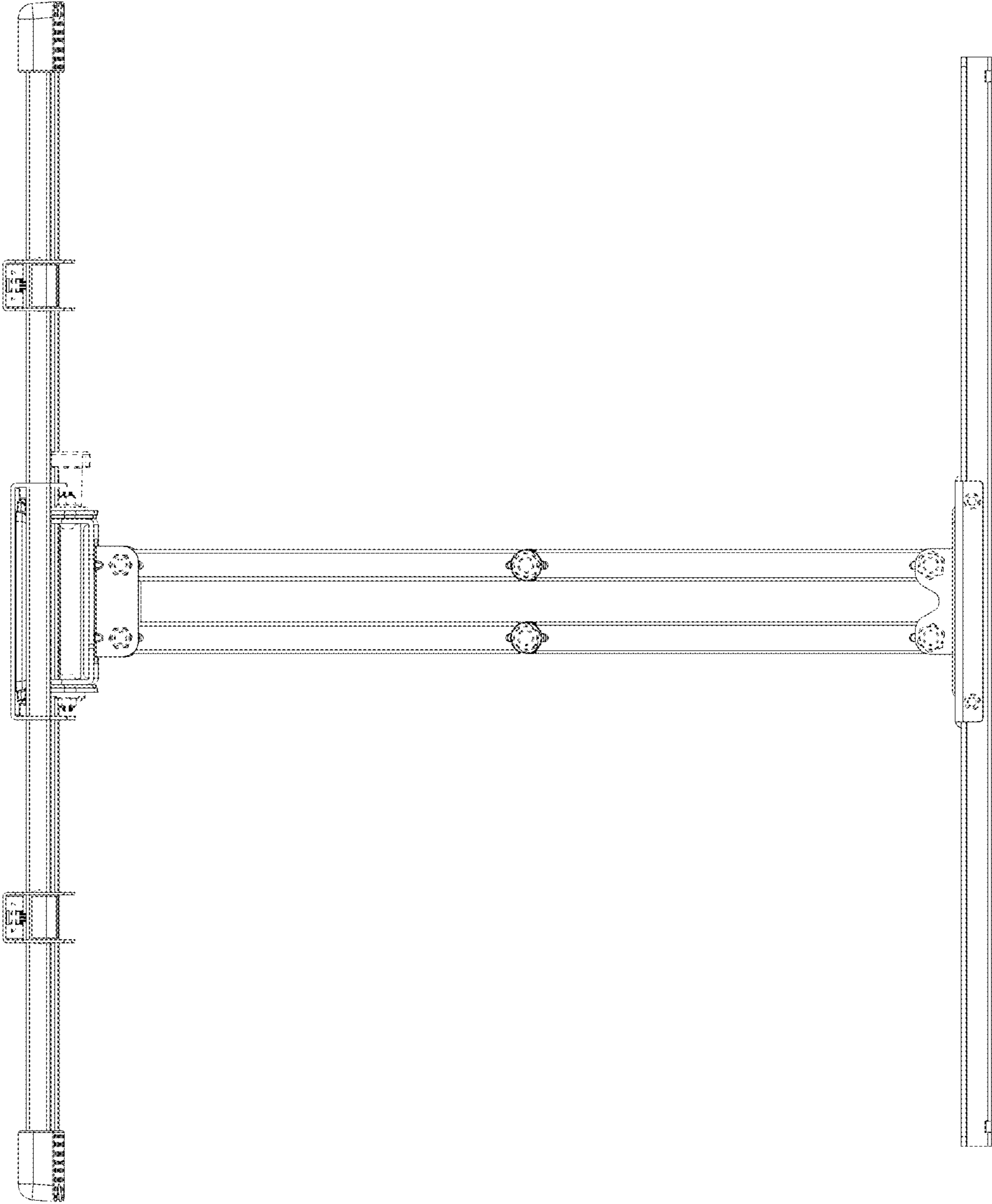


FIG. 7