



US00D974352S

(12) **United States Design Patent**
Akana et al.

(10) **Patent No.:** **US D974,352 S**
(45) **Date of Patent:** **** Jan. 3, 2023**

(54) **ELECTRONIC DEVICE**

(71) Applicant: **Apple Inc.**, Cupertino, CA (US)

(72) Inventors: **Jody Akana**, San Francisco, CA (US); **Molly Anderson**, San Francisco, CA (US); **Bartley K. Andre**, Palo Alto, CA (US); **Shota Aoyagi**, San Francisco, CA (US); **Anthony Michael Ashcroft**, San Francisco, CA (US); **Marine C. Bataille**, San Francisco, CA (US); **Jeremy Bataillou**, San Francisco, CA (US); **Abidur Rahman Chowdhury**, San Francisco, CA (US); **Clara Geneviève Marine Courtaigne**, Palo Alto, CA (US); **Markus Diebel**, San Francisco, CA (US); **Jonathan Gomez Garcia**, San Francisco, CA (US); **M. Evans Hankey**, San Francisco, CA (US); **Julian Hoenig**, San Francisco, CA (US); **Richard P. Howarth**, San Francisco, CA (US); **Jonathan P. Ive**, San Francisco, CA (US); **Julian Jaede**, San Francisco, CA (US); **Duncan Robert Kerr**, San Francisco, CA (US); **Peter Russell-Clarke**, San Francisco, CA (US); **Benjamin Andrew Shaffer**, San Jose, CA (US); **Sung-Ho Tan**, San Francisco, CA (US); **Clement Tissandier**, San Francisco, CA (US); **Eugene Antony Whang**, San Francisco, CA (US); **Rico Zörkendörfer**, San Francisco, CA (US)

(73) Assignee: **Apple Inc.**, Cupertino, CA (US)

(**) Term: **15 Years**

(21) Appl. No.: **29/714,473**

(22) Filed: **Nov. 22, 2019**

(51) **LOC (14) Cl.** **14-02**

(52) **U.S. Cl.**
USPC **D14/341**

(58) **Field of Classification Search**
USPC D14/138 AA, 138 AB, 138 AC, 138 AD,
D14/138 C, 138 G, 203.1–203.8, 248,
D14/315–318, 341–347, 371, 374, 432,

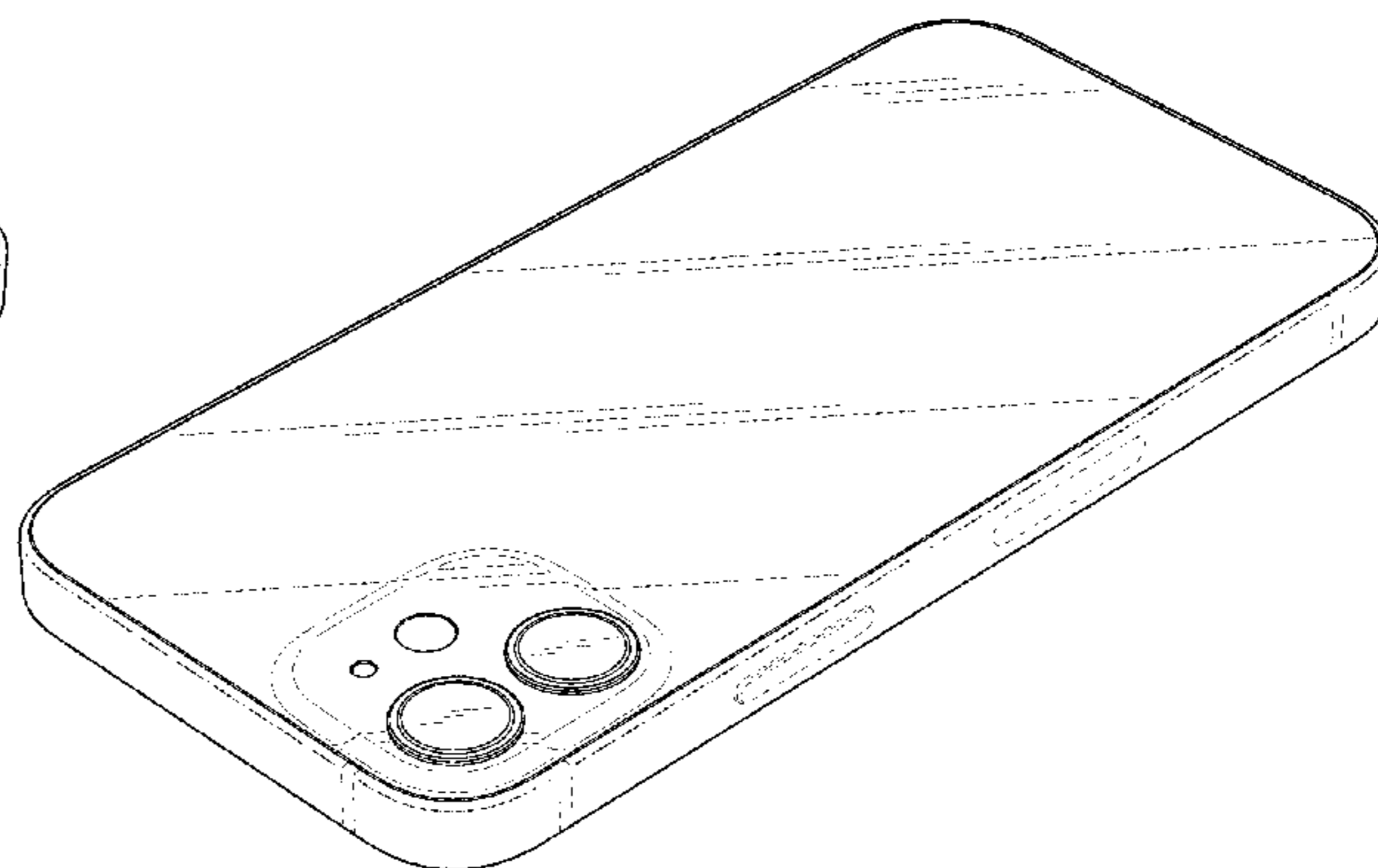
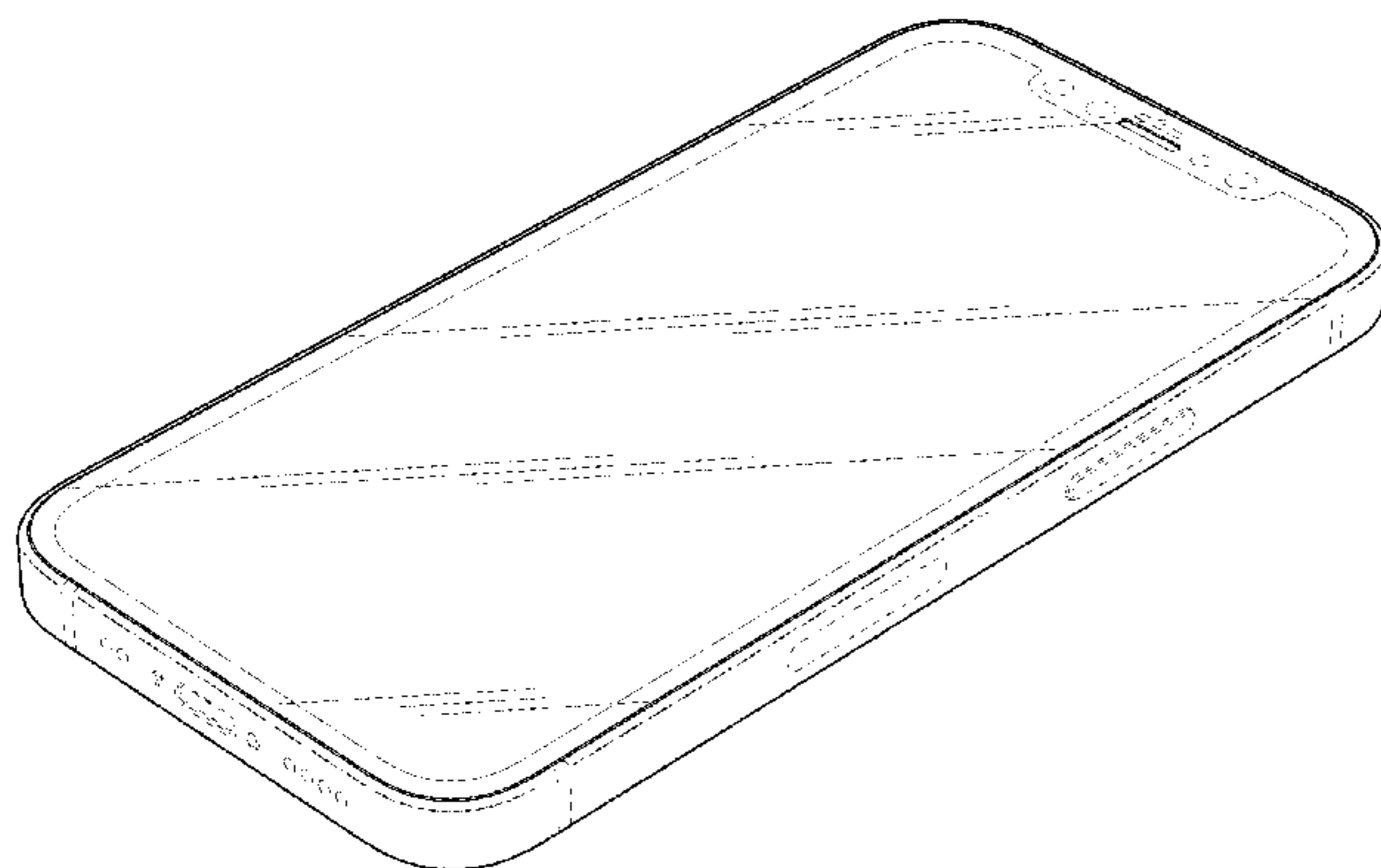
D14/439, 496; D6/308, 310; D10/50,
D10/65, 104.1; D18/6–7; D19/26,
D19/59–60; D21/324, 329–330, 332
CPC ... H04M 1/0202; H04M 1/0266; H04M 1/725
See application file for complete search history.

(56)

References Cited

U.S. PATENT DOCUMENTS

D337,569 S	7/1993	Kando
D420,354 S	2/2000	Morales
D504,889 S	5/2005	Andre et al.
D548,732 S	8/2007	Cebe et al.
D558,756 S	1/2008	Andre et al.
D558,757 S	1/2008	Andre et al.
D558,758 S	1/2008	Andre et al.
D573,143 S	7/2008	Park et al.
D580,387 S	11/2008	Andre et al.
D597,067 S	7/2009	Oh et al.
D599,342 S	9/2009	Andre et al.
D600,241 S	9/2009	Andre et al.
D602,014 S	10/2009	Andre et al.
D602,015 S	10/2009	Andre et al.
D602,017 S	10/2009	Andre et al.
D602,488 S	10/2009	Jiang et al.
D603,834 S	11/2009	Lyman et al.
D604,297 S	11/2009	Andre et al.
D608,750 S	1/2010	He et al.
D613,736 S	4/2010	Andre et al.
7,697,281 B2	4/2010	Dabov et al.
D618,204 S	6/2010	Andre et al.
D619,555 S	7/2010	Yang et al.
D622,270 S	8/2010	Andre et al.
D622,718 S	8/2010	Andre et al.
D622,719 S	8/2010	Andre et al.
D625,307 S	10/2010	Cheng
D626,937 S	11/2010	Yeo et al.
D627,344 S	11/2010	Chien et al.
D627,769 S	11/2010	Kumagai
D627,778 S	11/2010	Akana et al.
D631,028 S	1/2011	Park et al.
D631,458 S	1/2011	Liao et al.
D633,461 S	3/2011	Kim et al.
D633,493 S	3/2011	Akana
D633,908 S	3/2011	Akana et al.
D635,113 S	3/2011	Park et al.
D635,952 S	4/2011	Park et al.
D636,390 S	4/2011	Andre et al.
D636,392 S	4/2011	Akana et al.
D636,752 S	4/2011	Liao et al.
D638,003 S	5/2011	Chen
D638,815 S	5/2011	Lee et al.



US D974,352 S

D639,261 S	6/2011	Garnham et al.	D749,563 S	2/2016	Akana et al.
D639,763 S	6/2011	Kim et al.	9,256,252 B2	2/2016	Chao
D639,771 S	6/2011	Chen	D750,620 S	3/2016	Zhai
D640,663 S	6/2011	Arnholt et al.	D750,729 S	3/2016	Sheikh et al.
D642,563 S	8/2011	Akana et al.	D751,051 S	3/2016	Cho et al.
D648,303 S	11/2011	Park et al.	D752,010 S	3/2016	Kim
D649,968 S	12/2011	Li	D752,037 S	3/2016	Akana et al.
D653,645 S	2/2012	Park	9,274,142 B2	3/2016	Nickel et al.
D654,887 S	2/2012	McManigal et al.	D754,125 S	4/2016	Akana et al.
D656,477 S	3/2012	Yi et al.	D759,008 S	6/2016	Akana et al.
D662,503 S	6/2012	Akana et al.	D760,217 S	6/2016	Akana et al.
D668,627 S	10/2012	Chung	D761,226 S	7/2016	Poulin
D671,905 S	12/2012	Mauritzson	D762,207 S	7/2016	Akana et al.
D671,937 S	12/2012	Akana et al.	D762,610 S	8/2016	Joung et al.
D672,343 S	12/2012	Akana	D767,522 S	9/2016	Wu et al.
D673,562 S	1/2013	Johnson	D769,208 S	10/2016	Ho et al.
D676,432 S	2/2013	Hasbrook et al.	9,462,094 B2	10/2016	Liu et al.
D677,641 S	3/2013	Sutherland et al.	D770,411 S	11/2016	Zhang
D677,642 S	3/2013	Park	D770,433 S	11/2016	Kangasmaa et al.
D677,657 S	3/2013	Akana et al.	D771,607 S	11/2016	Kim et al.
D680,092 S	4/2013	Tsai et al.	D771,622 S	11/2016	Akana et al.
D680,984 S	4/2013	Harmon et al.	D771,623 S	11/2016	Akana et al.
D680,995 S	4/2013	Lee	D772,865 S	11/2016	Akana et al.
D681,032 S	4/2013	Akana et al.	D774,499 S	12/2016	Fathollahi
D681,632 S	5/2013	Akana et al.	D777,700 S	1/2017	Kwon et al.
D683,711 S	6/2013	Hofer et al.	9,537,219 B2	1/2017	Ayala et al.
D684,571 S	6/2013	Akana et al.	D778,867 S	2/2017	Husgafvel et al.
D686,586 S	7/2013	Cho et al.	D779,484 S	2/2017	Akana et al.
D687,404 S	8/2013	Yoshimura	9,577,318 B2	2/2017	Pascolini et al.
D687,793 S	8/2013	Park	D780,748 S	3/2017	Wang et al.
D688,218 S	8/2013	Lee	D781,807 S	3/2017	Hubbard et al.
D688,221 S	8/2013	Zuffo et al.	9,594,147 B2	3/2017	Han et al.
D688,660 S	8/2013	Akana et al.	D783,565 S	4/2017	Kim et al.
D689,455 S	9/2013	Daniel	D783,566 S	4/2017	Kim et al.
8,526,180 B2	9/2013	Rayner	D783,602 S	4/2017	Akana et al.
D690,693 S	10/2013	Akana et al.	D784,314 S	4/2017	Ryu et al.
D691,133 S	10/2013	Akana et al.	D784,315 S	4/2017	Ryu et al.
D692,881 S	11/2013	Akana et al.	D786,229 S	5/2017	Kim et al.
D693,324 S	11/2013	Wang	D790,535 S	6/2017	Akana et al.
D693,785 S	11/2013	Sutherland et al.	D792,366 S	7/2017	Zhang et al.
D696,247 S	12/2013	Kim	D792,386 S	7/2017	Lee et al.
D697,911 S	1/2014	McManigal et al.	D794,623 S	8/2017	Kwon et al.
D698,770 S	2/2014	Park	D796,497 S	9/2017	Kim et al.
D698,773 S	2/2014	Wildner	9,761,927 B2	9/2017	Kasar et al.
8,640,868 B2	2/2014	O'Dowd et al.	D798,851 S	10/2017	Kim et al.
D702,219 S	4/2014	Suk	D798,852 S	10/2017	Kim et al.
D705,188 S	5/2014	Chau et al.	D800,710 S	10/2017	Ryu et al.
D706,235 S	6/2014	Kim	D800,716 S	10/2017	Akana et al.
D706,251 S	6/2014	Park	D801,321 S	10/2017	Kim et al.
D706,301 S	6/2014	Akana et al.	D803,209 S	11/2017	Akana et al.
D706,776 S	6/2014	Akana et al.	D805,495 S	12/2017	Kester et al.
D707,223 S	6/2014	Akana et al.	D806,705 S	1/2018	Akana et al.
D708,608 S	7/2014	Sugiyama et al.	D810,715 S	2/2018	Cho et al.
D710,815 S	8/2014	Kim et al.	D831,625 S *	10/2018	Cho D14/248
8,804,353 B2	8/2014	Montevirgen et al.	D835,620 S	12/2018	Akana et al.
D712,384 S	9/2014	Hibi	D890,153 S *	7/2020	Kim D14/248
D712,405 S	9/2014	Akana et al.	D893,490 S *	8/2020	Akana D14/439
D713,833 S	9/2014	Wilkey	D895,627 S *	9/2020	Akana D14/439
D718,268 S	11/2014	Wu et al.	D896,232 S *	9/2020	Akana D14/439
8,879,245 B2	11/2014	Kim	D905,696 S *	12/2020	Akana D14/439
D719,941 S	12/2014	Kim et al.	D926,769 S *	8/2021	Akana D14/439
D720,747 S	1/2015	Kim et al.	D945,978 S *	3/2022	Akana D14/138 G
D721,344 S	1/2015	Lee et al.	D947,849 S *	4/2022	Akana D14/439
8,933,347 B2	1/2015	Kiple et al.	D947,850 S *	4/2022	Akana D14/439
D724,572 S	3/2015	Wildner	D954,672 S *	6/2022	Akana D14/138 G
8,989,826 B1	3/2015	Connolly	D957,402 S *	7/2022	Akana D14/439
D731,481 S	6/2015	Akana et al.	D962,186 S *	8/2022	Park D14/138 G
D732,497 S	6/2015	Lee et al.	D962,187 S *	8/2022	Park D14/138 G
D732,498 S	6/2015	Huang et al.	2009/0247244 A1	10/2009	Mittleman et al.
D732,539 S	6/2015	Akana et al.	2011/0050560 A1	3/2011	Foster et al.
D733,146 S	6/2015	Akana et al.	2011/0117971 A1	5/2011	Kim et al.
D736,205 S	8/2015	Park et al.	2011/0268218 A1	11/2011	Kang et al.
D739,391 S	9/2015	Chen et al.	2012/0088555 A1	4/2012	Hu
D741,279 S	10/2015	Tai et al.	2012/0168577 A1	7/2012	Cheng
D742,351 S	11/2015	Chen et al.	2012/0170189 A1	7/2012	Li et al.
D743,391 S	11/2015	Akana et al.	2012/0329535 A1	12/2012	Kuo
D744,993 S	12/2015	Diebel	2013/0321237 A1	12/2013	Woodhull et al.
D746,275 S	12/2015	Mohammad	2013/0331156 A1	12/2013	Lui
D747,287 S	1/2016	Chang et al.	2016/0191095 A1	6/2016	Santelli

FOREIGN PATENT DOCUMENTS

CN	300928488	S	5/2009
CN	301134880	S	2/2010
CN	301139661	S	2/2010
CN	301161836	S	3/2010
CN	301271887	S	6/2010
CN	301300814	S	8/2010
CN	301794564	S	1/2012
CN	301867415	S	3/2012
CN	302242618	S	12/2012
CN	302268386	S	1/2013
CN	302279529	S	1/2013
CN	302321988	S	2/2013
CN	302333118	S	2/2013
CN	302350915	S	3/2013
CN	302404040	S	4/2013
CN	302430473	S	5/2013
CN	202998218	U	6/2013
CN	302455942	S	6/2013
CN	302476338	S	6/2013
CN	302560014	S	9/2013
CN	302588771	S	9/2013
CN	302606411	S	10/2013
CN	302619300	S	10/2013
CN	302748579	S	2/2014
CN	302808732	S	4/2014
CN	302873818	S	7/2014
CN	302982246	S	10/2014
CN	303000183	S	11/2014
CN	303000194	S	11/2014
CN	303453788	S	11/2015
CN	303617715	S	3/2016
CN	303647864	S	4/2016
CN	303774339	S	8/2016
CN	303805687	S	8/2016
CN	304095914	S	4/2017
CN	304095915	S	4/2017
CN	304130421	S	5/2017
DM	095015		2/2017
EM	002088591-0001		8/2012
GB	6090075	*	5/2020
GB	6090082	*	5/2020
GB	6163381	*	9/2021
HK	1914134-0001	*	12/2019
HK	1915014-0001	*	4/2020
IN	210894-0001		6/2007
IN	210897-0001		6/2007
IN	2768570001		2/2016
JP	D1326330	S	4/2008
JP	D1351277	S	2/2009
JP	D1456810	S	12/2012
JP	D1469635	S	5/2013
JP	D1478342	S	9/2013
JP	1548987	S	5/2016
JP	1563161	S	11/2016
JP	1574816	S	4/2017
JP	D1600999	S	4/2018
KR	300606828		7/2011
KR	300849814		4/2016
KR	300902453		9/2017
RU	85816		7/2013
RU	89999	U1	9/2014
RU	90363	U1	10/2014
RU	104650	U1	8/2017
TW	D149042	S	9/2012
TW	D169484	S	8/2015
TW	D172231	S	12/2015
WO	WO-DM080555	S	2/2013

OTHER PUBLICATIONS

Apple iPhone 12 official images, released: Oct. 23, 2020, [retrieved Jun. 2, 2022], Retrieved from Internet, URL: <https://www.gsmarena.com/apple_iphone_12-pictures-10509.php> (Year: 2020).*

Review: Apple iPhone 12, Oct. 20, 2020, [retrieved Jun. 2, 2022], Retrieved from Internet, URL: <<https://www.wired.com/review/apple-iphone-12/>> (Year: 2020).*

Apple iPhone 12 Review, Oct. 20, 2020, [retrieved Jun. 2, 2022], Retrieved from Internet, URL: <<https://www.nytimes.com/2020/10/20/technology/personaltech/apple-iphone-12-review.html>> (Year: 2020).*

How to choose between all the new iPhone 12 models, Oct. 14, 2020, [retrieved Jun. 2, 2022], Retrieved from Internet, URL: <<https://www.theverge.com/circuitbreaker/21508433/apple-iphone-12-models-differences-comparisons-how-to-choose>> (Year: 2020).*

iPhone 12 and 12 Pro review, Oct. 20, 2020, [retrieved Jun. 2, 2022], Retrieved from Internet, URL: <<https://www.engadget.com/apple-iphone-12-12-pro-review-cameras-5g-performance-price-214630744.html>> (Year: 2020).*

The iPhone 12 is a big leap forward . . . , Apr. 23, 2021, [retrieved Jun. 2, 2022], Retrieved from Internet, URL: <<https://www.businessinsider.com/guides/tech/apple-iphone-12-review>> (Year: 2021).*

iPhone 12 review, Oct. 29, 2020, [retrieved Jun. 2, 2022], Retrieved from Internet, URL: <<https://www.imore.com/iphone-12-review>> (Year: 2020).*

iPhone 12 vs. iPhone 12 mini, Sep. 21, 2021, [retrieved Jun. 2, 2022], Retrieved from Internet, URL: <<https://www.tomsguide.com/news/iphone-12-vs-iphone-12-mini-what-should-you-buy>> (Year: 2021).*

Apple iPhone 5 pictures, as posted at GsmArena.com [online], [retrieved on Apr. 27, 2017]. Available on the Internet, (URL: http://www.gsmarena.com/apple_iphone_5-pictures-4910.php#image15), dated Sep. 2012.

Apple iPhone 7 is here with a water resistant body, better cameras, 256GB capacity & no headphone jack, dated Sep. 8, 2016. Retrieved from Internet, (URL: <https://collinsdail.blogspot.com/2016/09/apple-iphone-7-is-here-with-water.html>).

Apple iPhone 7 and 7plus | New Camera, dated Sep. 8, 2016. Retrieved from Internet, (URL: <http://sujoyrdas.blogspot.com/2016/09/apple-iphone-7-and-7plus-new-camera.html>).

Brownlee, Marques, "Apple iPhone X Unboxing!" Youtube.com, dated Oct. 31, 2017, Available at (<https://youtu.be/ODoQYGZt8M?t=68>).

Carlson, Ronald, Tapscape.com, "Translucent iPhone: Will Apple Revisit G3 iMac?," accessed at <http://www.tapscape.com/translucent-iphone/>, accessed on Apr. 3, 2013, 3 pages.

ConceptsiPhone, "iPhone 8 and iPhone 8 Plus—Introducing" Youtube, dated Oct. 7, 2016, accessed at (<https://www.youtube.com/watch?v=WSf8aJlYcJg>).

Cultofandroid, "This Android-Powered iPhone 5C Clone Will Cost Just \$100 In China" accessed at http://www.cultofandroid.com/40408/this-android-powered-iphone-5c-clone-will-cost-just-100-in-china/?utm_campaign=twitter&utm_medium=twitter&utm_source=twitter, dated Aug. 27, 2013, 2 pages.

Daily Life News, "iPhone 5s Leaked Images Hint 2 Different Screen Sizes." accessed at <https://www.youtube.com/watch?v=8tcTHa63WHI>, dated Apr. 10, 2013, 4 pages.

Engadget, "Meizu's M8? Apple lawyers, start your engines", accessed at <http://www.engadget.com/2007/01/29/meizus-m8-apple-lawyers-start-your-engines/>, dated Jan. 29, 2007, 3 pages.

Everythingapplepro, "The 2018 iPhone X Plus Will be Big!" Youtube.com, dated Feb. 12, 2018, Retrieved from the Internet: (<https://youtu.be/m2iMjpaKTeQ?t=14>).

Faulkner, Cameron, "Essential Phone Review", Tech Radar, dated Nov. 25, 2017, accessed at Retrieved from the Internet: (URL: <http://www.techradar.com/reviews/essential-phone>).

Gokey, M., "LG G3 vs. HTC One M8: Which Android Flag Should iPhone Haters Fly?," dated Sep. 18, 2014, accessed at www.digitaltrends.com/mobile/lg-g3-vs-htc-one-m8/, 12 pages.

Gorsler, Fabian, "Leak Suggests Apple Will Release 3 New iPhone Models in 2018" Highsnobiety.com, dated Nov. 14, 2017, Retrieved from the Internet: (<https://www.highsnobiety.com/2017/11/14/three-new-iphones-2018/>).

Gsmarena, "Nokia Lumia 820", accessed at http://www.gsmarena.com/nokia_lumia_820-4968.php, dated Aug. 29, 2013, 2 pages.

Gsmarena, "Xiaomi MI-2", accessed at http://www.gsmarena.com/xiaomi_mi_2-4928.php, dated Aug. 29, 2013, 2 pages.

Gsmarena, "Xiaomi MI-2s", accessed at http://www.gsmarena.com/xiaomi_mi_2s-5397.php, dated Aug. 29, 2013, 2 pages.

Hands-On With an iPhone 8 Dummy Model, dated Aug. 10, 2017. Retrieved from Internet, (URL: <https://www.youtube.com/watch?v=YuQUBhOAbUM>).

Identify your iPhone Model, dated Jan. 23, 2017. Retrieved from the Internet URL: <https://support.apple.com/en-us/HT201296>.

“iPhone 6, Une Enieme Maquette Comparee Avec L’iPhone 5s,” dated May 3, 2014, accessed at <http://www.nowhereelse.fr/iphone-6-maquette-comparee-iphone-5s-97315/>, 2 pages.

K11 Bumper vs. RhinoShield Crash Guard: Super Thin Protective Bumpers for iPhone 6s Plus!, dated Feb. 23, 2016. Retrieved from Internet, <url:<https://www.youtube.com/watch?v=eX5ETZkOhj4>>, 3 pages.

Karmakar, Amit, “The iPhone X plus 2018 Dummy model and leaks” Youtube.com, dated Dec. 1, 2017, Retrieved from the Internet: (<https://www.youtube.com/watch?v=1pEesxpiOd4>).

MacManus, Christopher, cnet.com, “Artist pictures a budget iPhone—in color.” accessed at <http://www.cnet.com/au/news/artist-pictures-a-budget-iphone-in-color/>, dated Mar. 21, 2013, 4 pages.

Maggio, Edoardo, “These renders show what Apple might have planned for the successor to the iPhone X” BusinessInsider.com, dated Jan. 24, 2018, Retrieved from the Internet: (<https://www.businessinsider.com.au/martin-hajek-renders-apple-2018-iphone-x-successor-2018-1?r=US&IR=T>).

Mayo, B., “Purported iPhone 6 Pictures Show Protruding Camera, Rounded Edges,” 9to5Mac.com, accessed at <http://9to5mac.com/2014/03/31/purported-iphone-6-pictures-show-protruding-camera-rounded-edges/>, 23 pages, dated Mar. 31, 2014.

Mia P., “Apple Leak Reveals All Glass Phone With 3D Sensor; Touch Bar Feature Redefines Emoji Use; Is This iPhone 8?” GameNGuide, dated Oct. 31, 2016, accessed at (<http://www.gamenguide.com/articles/60727/20161031/apple-leak-reveals-all-glass-phone-with-3d-sensor-touch-bar-feature-redefines-emoji-use-is-this-iphone-8.htm>).

Nokia, “Nokia Lumia 820—Our most versatile Lumia”, accessed at <http://www.nokia.com/global/products/phone/lumia820/>, dated Aug. 29, 2013, 6 pages.

@NowhereElseFr, “Just Another Purported #iPhone6 or #iPhoneAir Dummy . . . #Apple,” dated May 4, 2014, accessed at <https://twitter.com/NowhereElseFr/status/462938116924264448/photo/1>, 5 pages.

@Onleaks, “#iPhone X!!! Yes, time has already come to meet the new #iPhone . . .” dated Jan. 6, 2019, accessed at <https://twitter.com/Onleaks/status/1081902300434780161>, 5 pages.

Photo-John, “Apple’s iPhone 5 Camera—What’s New?”, as archived at <https://web.archive.org/web/20140805181048/http://www.photographyreview.com/reviews/apple-iphone-5-camera-whats-new>, dated Sep. 12, 2012, 3 pages.

Schroeder, S., “Sharp Aquos S2 is a Nearly Bezel-Less Phone with Mid-Range Specs,” Mashable, dated Aug. 8, 2017, Retrieved from the Internet:(URL: <http://mashable.com/2017/08/08/sharp-aquos-s2/#C05q3N0tzOqV>), 10 Pages.

“Sharp Executive Confirms iPhone 8 to Use OLED Display; Limited to Only Premium 5.5-inch Plus Model” dated Oct. 29, 2016, accessed at (<http://www.redsn0w.us/2016/10/sharp-executive-confirms-iphone-8-to.html>).

Stuff Staff in News, stuffideast.com “Apple’s new iPhone to come in a five colours.” accessed at <http://stuffideast.com/2013/04/11/151344/apples-new-iphone-to-come-in-a-five-colours/>, dated Apr. 11, 2013, 1 page.

stuff.tv, “Sparse wallets rejoice, the plastic budget iPhone 5S cometh, The iPhone 5S may not be an incremental increase but a decrease, in price and build quality.” accessed at <http://www.stuff.tv/news/sparse-wallets-rejoice-plastic-budget-iphone-5s-cometh>, dated Mar. 23, 2013, 1 page.

Swift, “BBK Vivo Xplay X510W Review,” dated Oct. 21, 2013, accessed at <http://chinesetech.net/2013/10/21/bbk-vivo-xplay-x510w-review/>, 12 pages.

Team Digit, “Exclusive: First look at 2019 Apple iPhone XI renders,” dated Jan. 6, 2019. Retrieved from the Internet: (<https://www.digit.in/news/mobile-phones/exclusive-first-look-at-2019-iphone-xi-renders-45655.html>), 3 pages.

TechDesigns, “iPhone 8 Official 2017—Concept” Youtube, dated Oct. 27, 2016, accessed at (<https://www.youtube.com/watch?v=LYUJYLD1XR0>).

Verykool Spark LTE SL5011 review: All that glitters is not gold, dated May 24, 2016. Retrieved from Internet, (URL:<https://www.androidguys.com/reviews/verykool-spark-lte-sl5011-review-all-that-glitters-is-not-gold/>).

welectronics.com, “Xiaomi MI 2 GSM unlocked,” accessed at <http://www.welectronics.com/gsm/misc/XIAOMI-MI-2.HTML?gclid=CK7Nr9bv-rYCFY0o4AodZ0EAEW>, dated Aug. 29, 2013, 2 pages.

Wu, Debbie, “All three iPhone 8 models to have glass backs” Nikkei Asian Review, dated Oct. 26, 2016, accessed at (<https://asia.nikkei.com/Business/Companies/All-three-iPhone-8-models-to-have-glass-backs?page=1>).

Geskin, Ben, “2020 iPhone concept with all-new, all-screen design, no notch and time-of-flight camera.” Twitter.com, dated Sep. 27, 2019.

Epstein, Ben, “This is the stunning iPhone 12 of our dreams, but it’s too good to be true” BGR News, dated Oct. 2, 2019.

Apple, “iPad Pro” Apple.com, dated Nov. 15, 2018.

* cited by examiner

Primary Examiner — Messina L Smith

Assistant Examiner — Aram Kwon

(74) *Attorney, Agent, or Firm* — Sterne, Kessler, Goldstein & Fox P.L.L.C.

(57)

CLAIM

The ornamental design for an electronic device, as shown and described.

DESCRIPTION

FIG. 1 is a bottom front perspective view of a first embodiment of an electronic device showing the claimed design;

FIG. 2 is a top rear perspective view thereof;

FIG. 3 is a front view thereof;

FIG. 4 is a rear view thereof;

FIG. 5 is a left side view thereof;

FIG. 6 is a right side view thereof;

FIG. 7 is a top view thereof;

FIG. 8 is a bottom view thereof;

FIG. 9 is a bottom front perspective view of a second embodiment of an electronic device showing the claimed design;

FIG. 10 is a top rear perspective view thereof;

FIG. 11 is a front view thereof;

FIG. 12 is a rear view thereof;

FIG. 13 is a left side view thereof;

FIG. 14 is a right side view thereof;

FIG. 15 is a top view thereof; and,

FIG. 16 is a bottom view thereof.

The broken lines in the figures show portions of the electronic device that form no part of the claimed design.

1 Claim, 12 Drawing Sheets

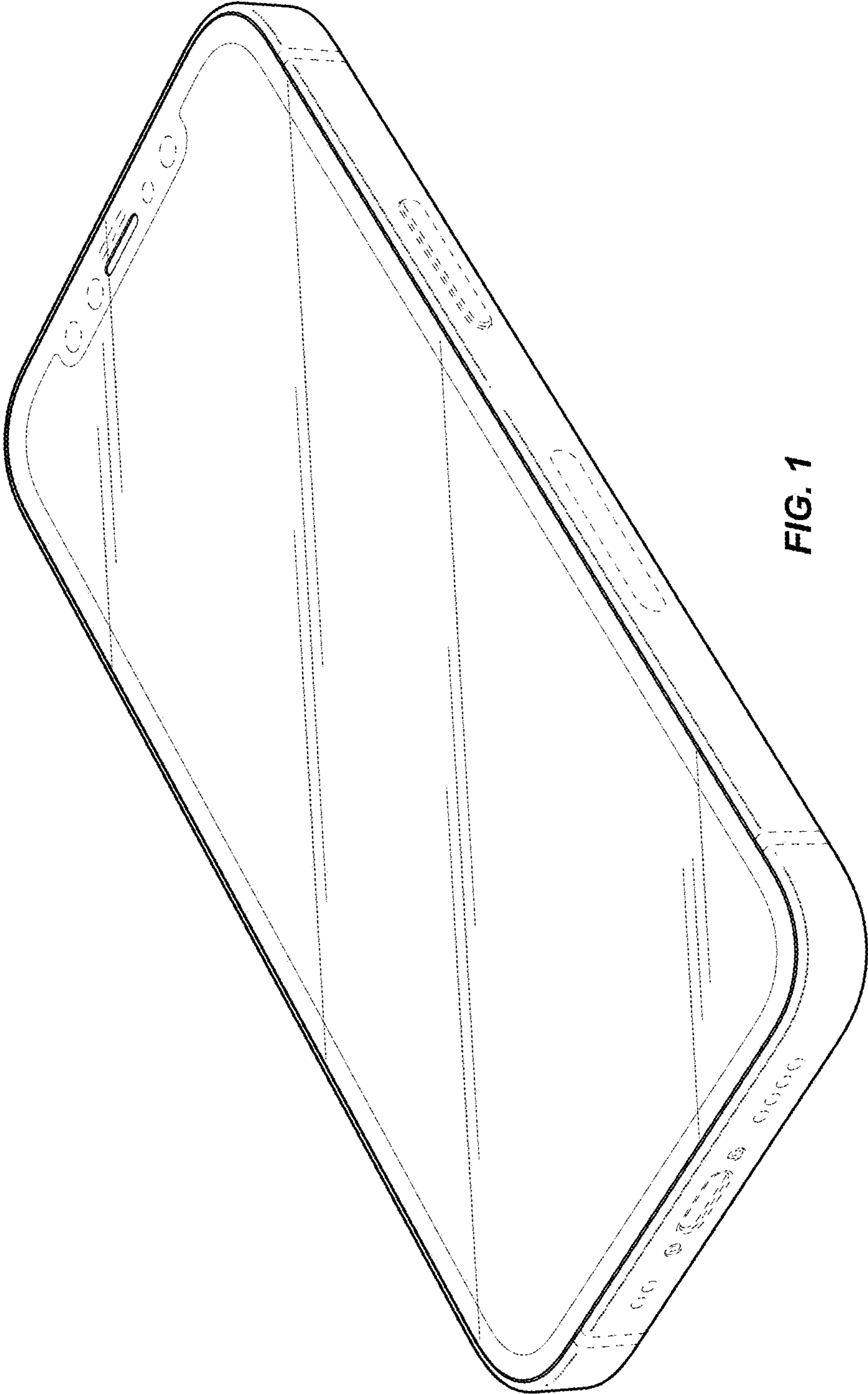


FIG. 1

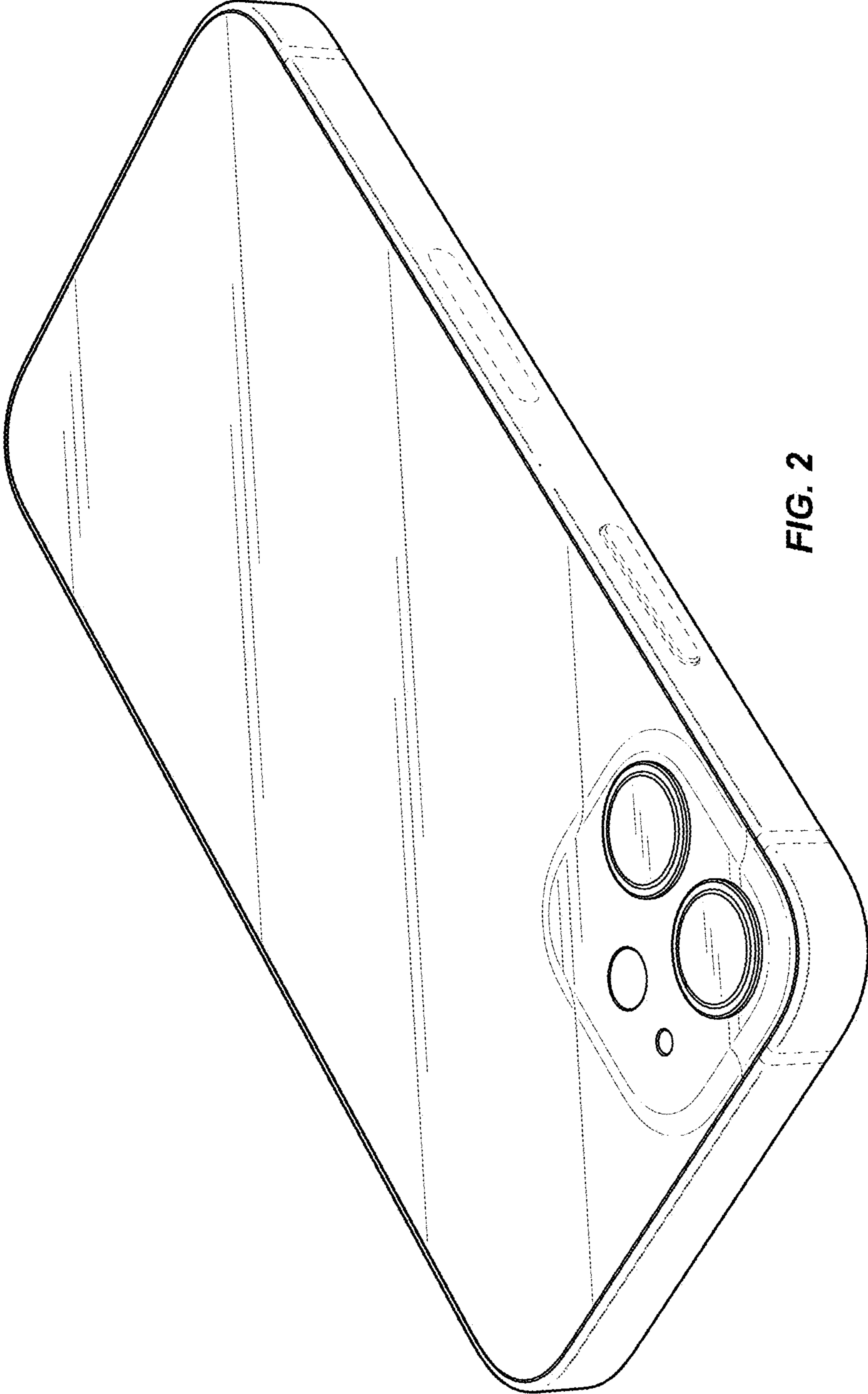


FIG. 2

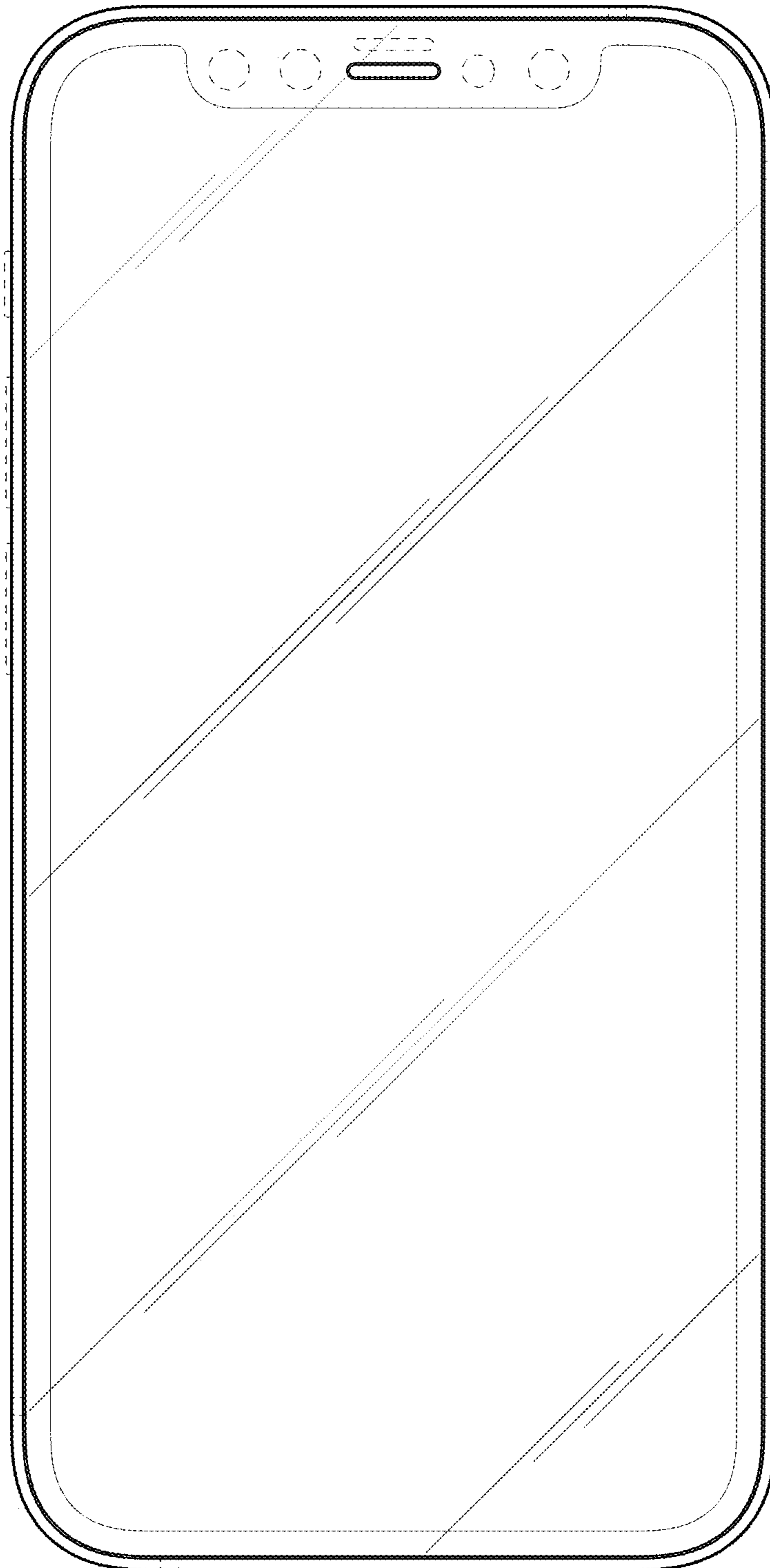


FIG. 3

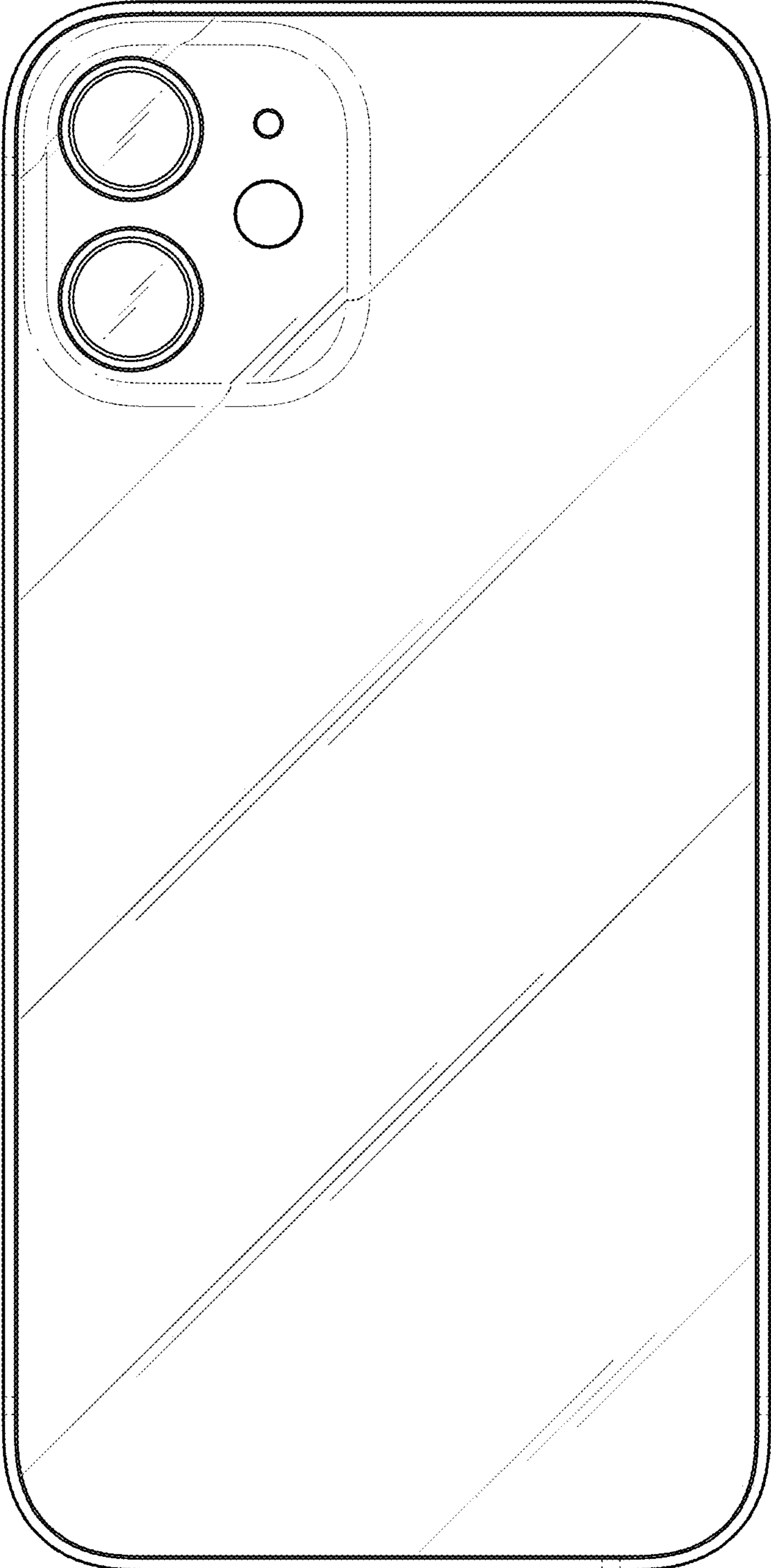


FIG. 4

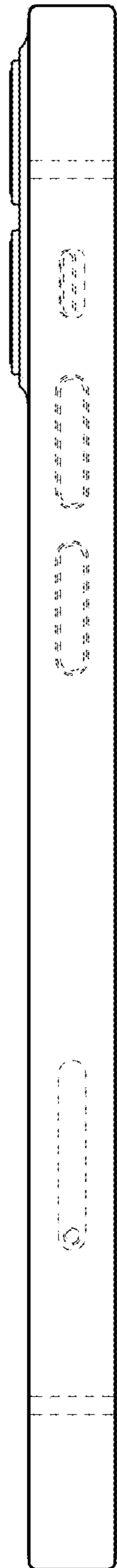


FIG. 5

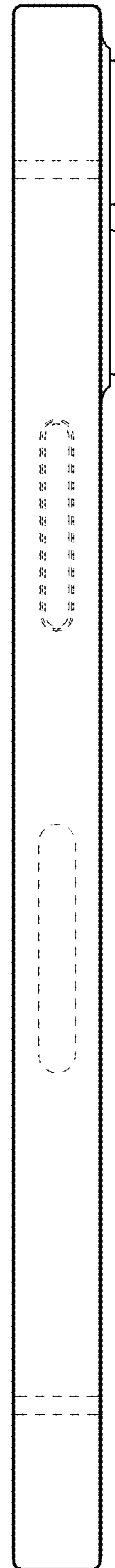


FIG. 6



FIG. 7

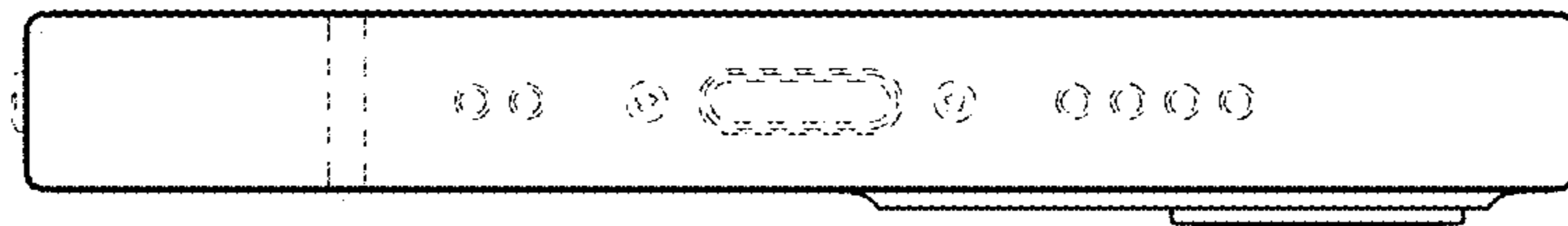


FIG. 8

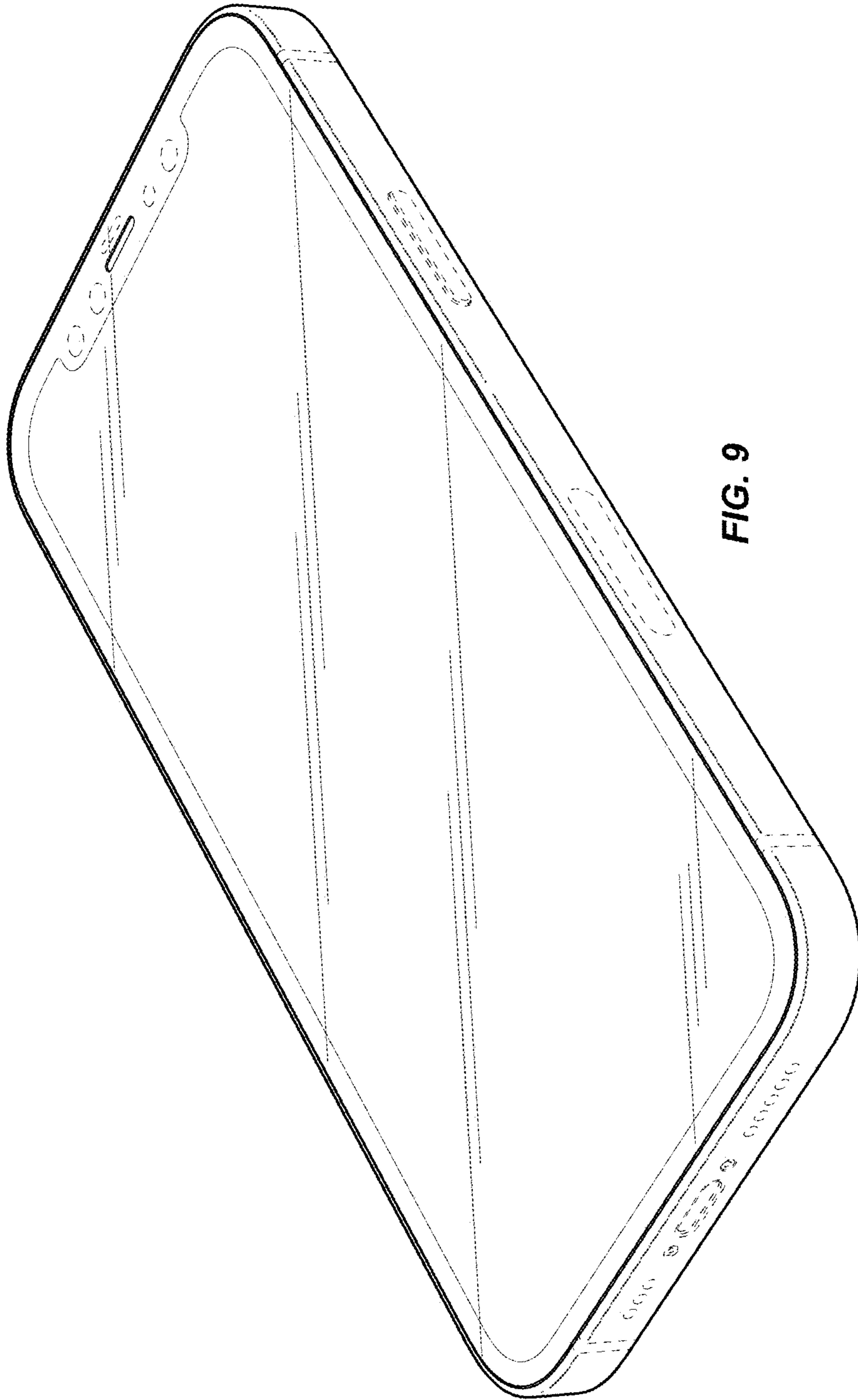


FIG. 9

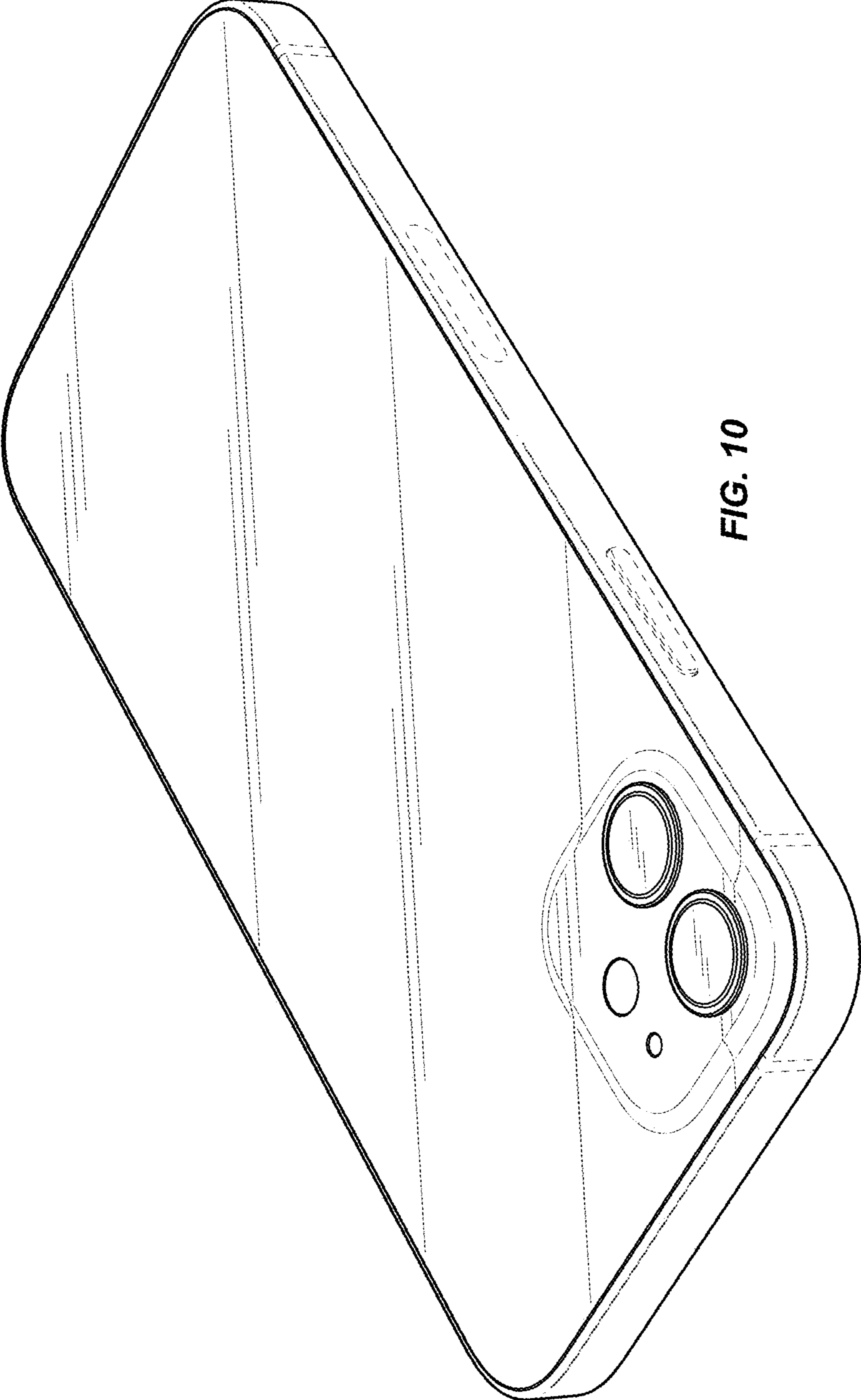


FIG. 10

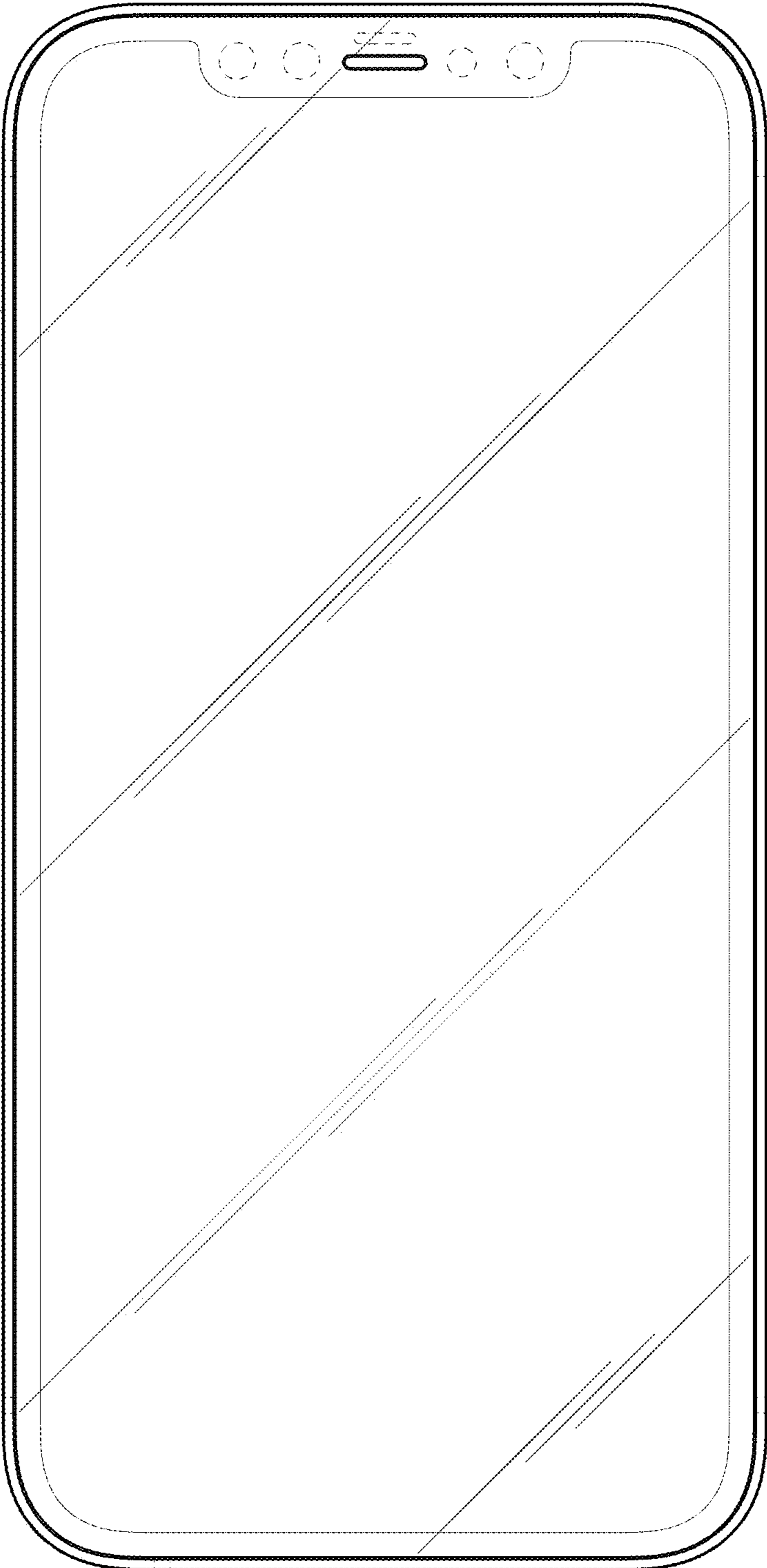


FIG. 11

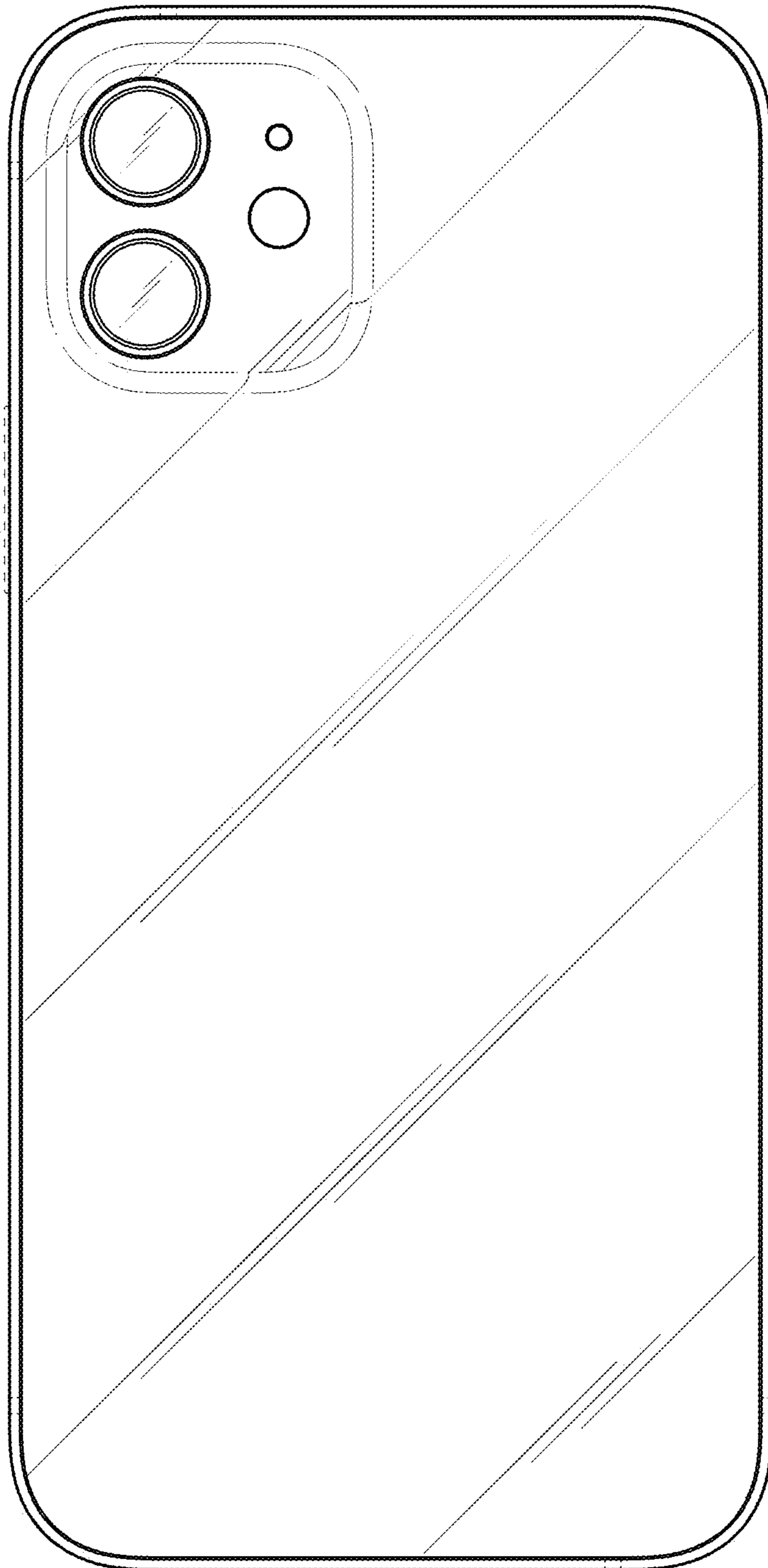


FIG. 12

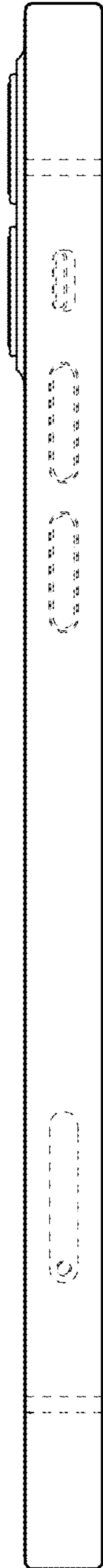


FIG. 13

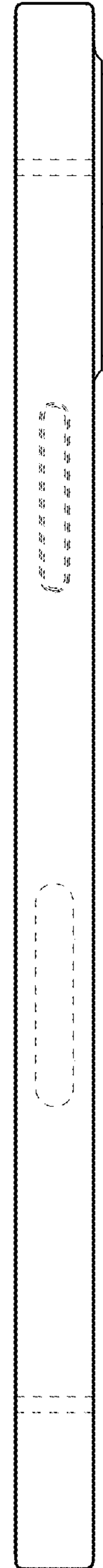


FIG. 14



FIG. 15

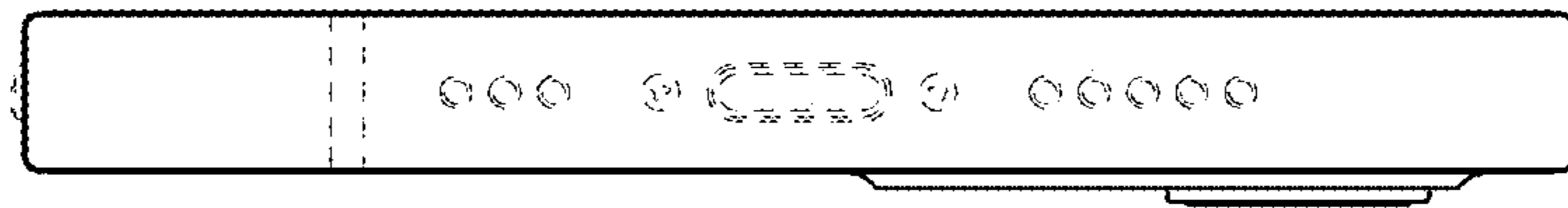


FIG. 16