



US00D974349S

(12) **United States Design Patent**
Kim et al.

(10) **Patent No.:** **US D974,349 S**
(45) **Date of Patent:** **** Jan. 3, 2023**

(54) **SMALL COMPUTER**
(71) Applicant: **LG ELECTRONICS INC., Seoul (KR)**
(72) Inventors: **Yongsoo Kim, Seoul (KR); Daihyung Ryu, Seoul (KR)**
(73) Assignee: **LG ELECTRONICS INC., Seoul (KR)**
(**) Term: **15 Years**
(21) Appl. No.: **35/514,807**
(22) Filed: **Jan. 28, 2022**
(80) **Hague Agreement Data**
Int. Filing Date: **Jan. 28, 2022**
Int. Reg. No.: **DM/218991**
Int. Reg. Date: **Jan. 28, 2022**
Int. Reg. Pub. Date: **Jul. 29, 2022**

(30) **Foreign Application Priority Data**
Sep. 24, 2021 (KR) 30-2021-0045519
(51) **LOC (14) Cl.** **14-02**
(52) **U.S. Cl.**
USPC **D14/314**
(58) **Field of Classification Search**
USPC D14/240, 242, 300, 301, 308, 314, 315,
D14/316, 317, 341, 345, 346, 353, 354
CPC G06F 13/00; G06F 16/00; G06F 16/10
See application file for complete search history.

(56) **References Cited**
U.S. PATENT DOCUMENTS
D289,648 S * 5/1987 Felix D14/242
6,411,515 B1 * 6/2002 Sakamoto H04Q 1/114
361/689

6,549,397 B1 * 4/2003 Diaz G06F 1/188
312/223.1
D488,150 S * 4/2004 Chen D14/242
D508,047 S * 8/2005 Taniho D14/314
D531,589 S * 11/2006 Hsu D13/184
D541,269 S * 4/2007 Heesen D14/314
D541,792 S * 5/2007 Liu D14/240
D554,638 S * 11/2007 Heesen D14/348
D610,133 S * 2/2010 Asano D14/240
D615,968 S * 5/2010 Herbst D14/300
D667,005 S * 9/2012 Lutz D14/314
D673,145 S * 12/2012 Andersson D14/314
D698,347 S * 1/2014 Andersson D14/314
D714,824 S * 10/2014 Park D14/496
D717,294 S * 11/2014 Tsusaka D14/314
D717,297 S * 11/2014 Koberling D14/349
D728,539 S * 5/2015 Dubrule D14/240
D757,697 S * 5/2016 Dubrule D14/240
D807,872 S * 1/2018 Nomoto D14/314
D814,451 S * 4/2018 Shin D14/242
D853,999 S * 7/2019 Jiang D14/242
D862,437 S * 10/2019 Lee D14/242
D877,140 S * 3/2020 Little D14/314

(Continued)

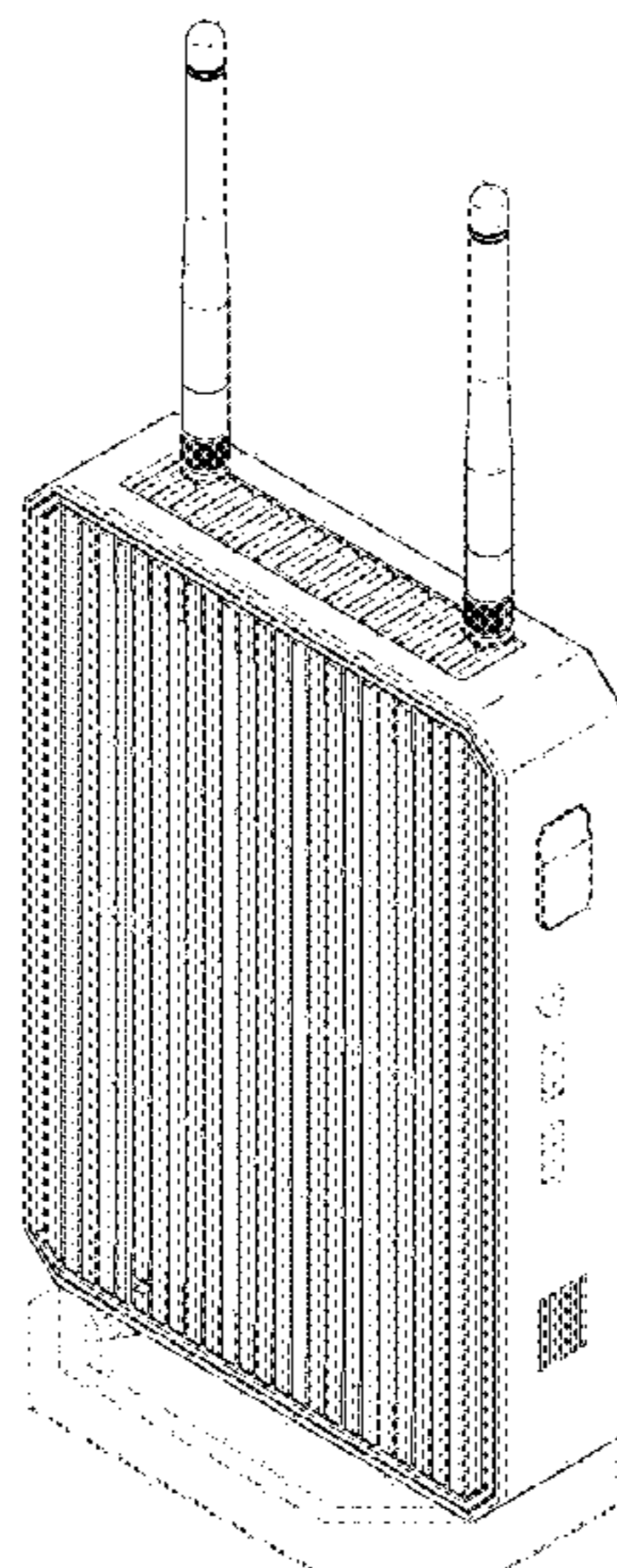
Primary Examiner — Charles D Hanson
(74) *Attorney, Agent, or Firm* — Birch, Stewart, Kolasch & Birch, LLP

(57) **CLAIM**
The ornamental design for a small computer, as shown and described.

DESCRIPTION

1. Small computer
1.1 : Perspective
1.2 : Front
1.3 : Back
1.4 : Left
1.5 : Right
1.6 : Top
1.7 : Bottom
The broken lines indicate portions of the article that form no part of the claimed design.

1 Claim, 7 Drawing Sheets



(56)

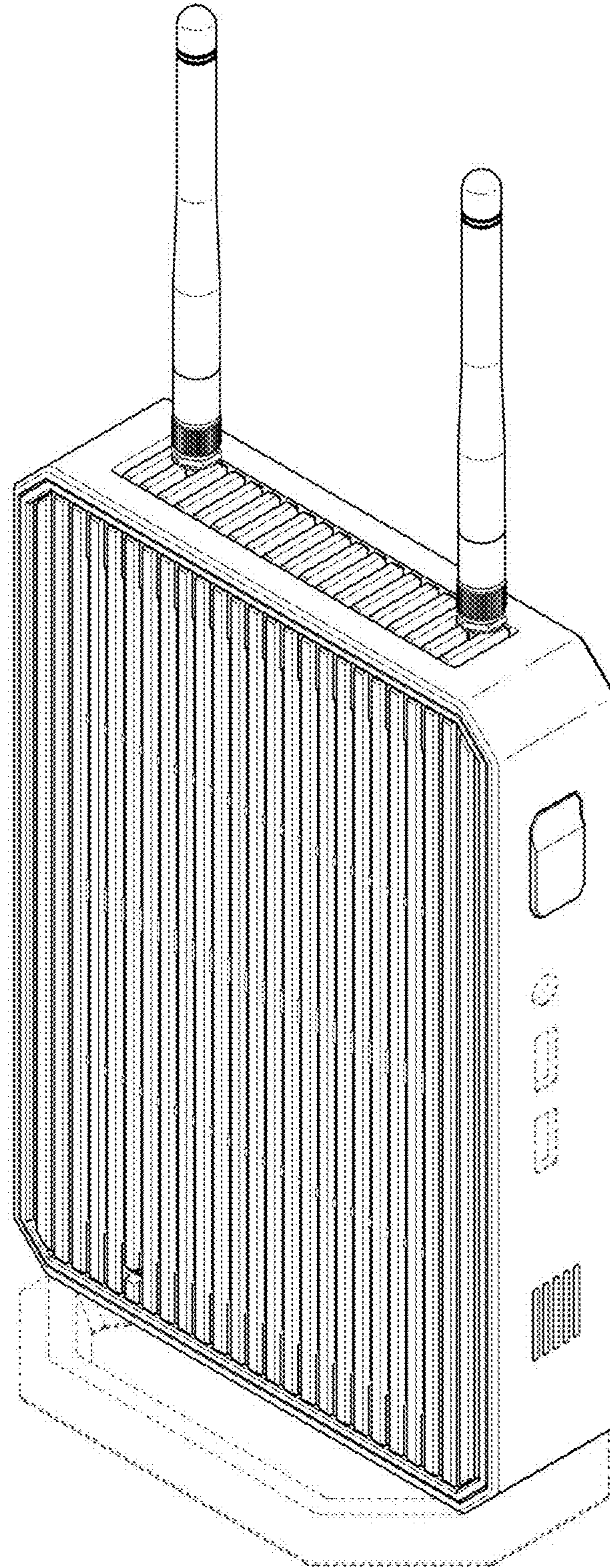
References Cited

U.S. PATENT DOCUMENTS

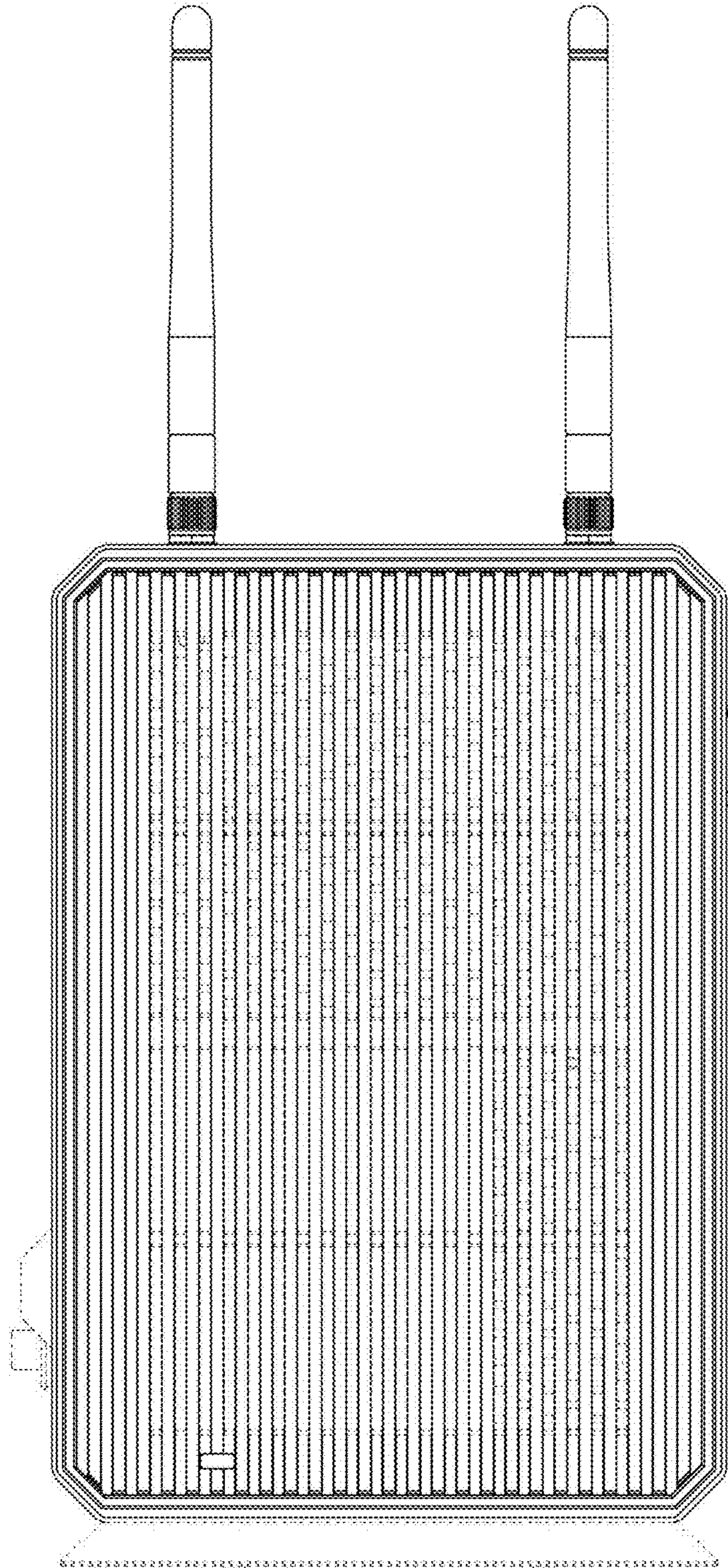
D888,046 S *	6/2020	Lu	D14/301
D915,391 S *	4/2021	Ryu	D14/314
2002/0036892 A1 *	3/2002	Sakamoto	H04B 1/74 361/704
2009/0195976 A1 *	8/2009	Chang	G06F 1/20 361/679.34

* cited by examiner

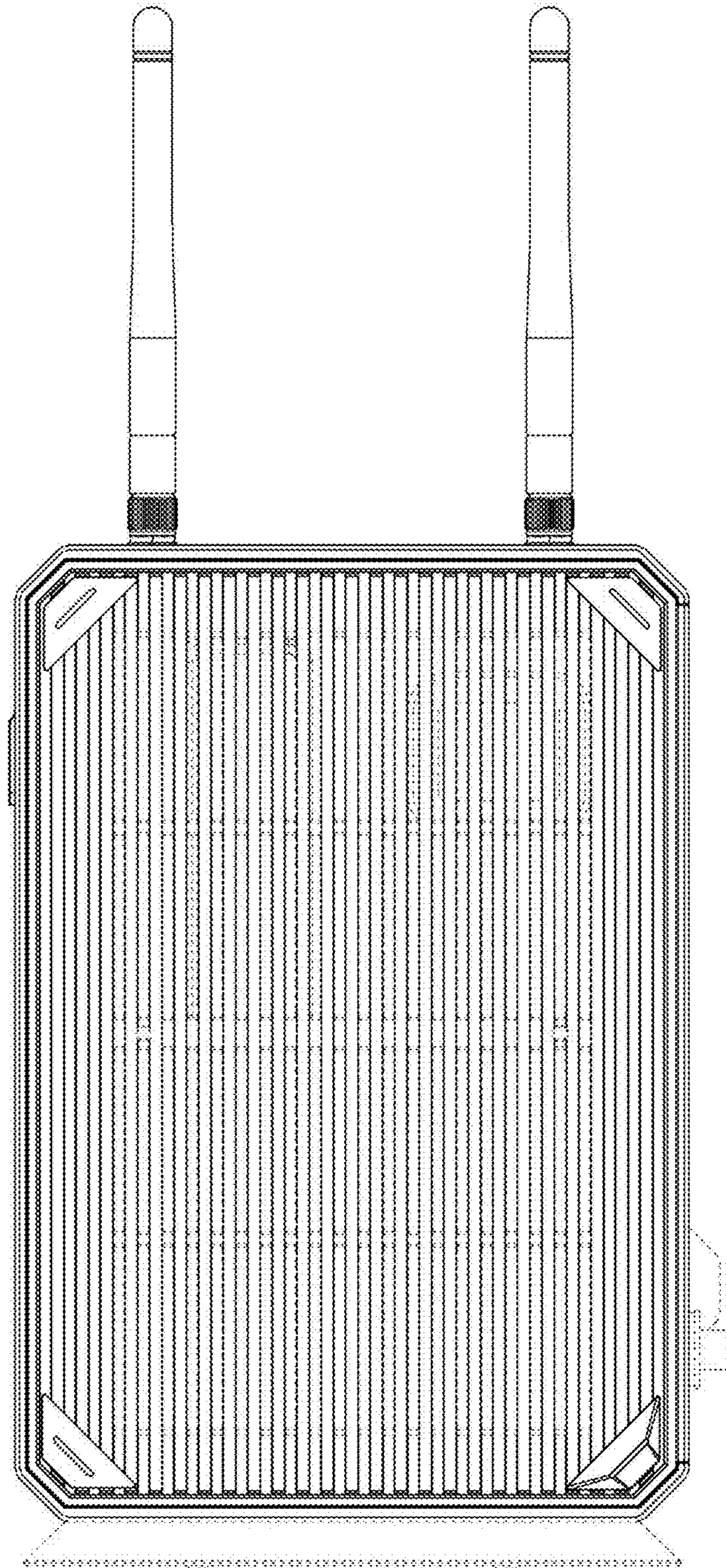
1.1



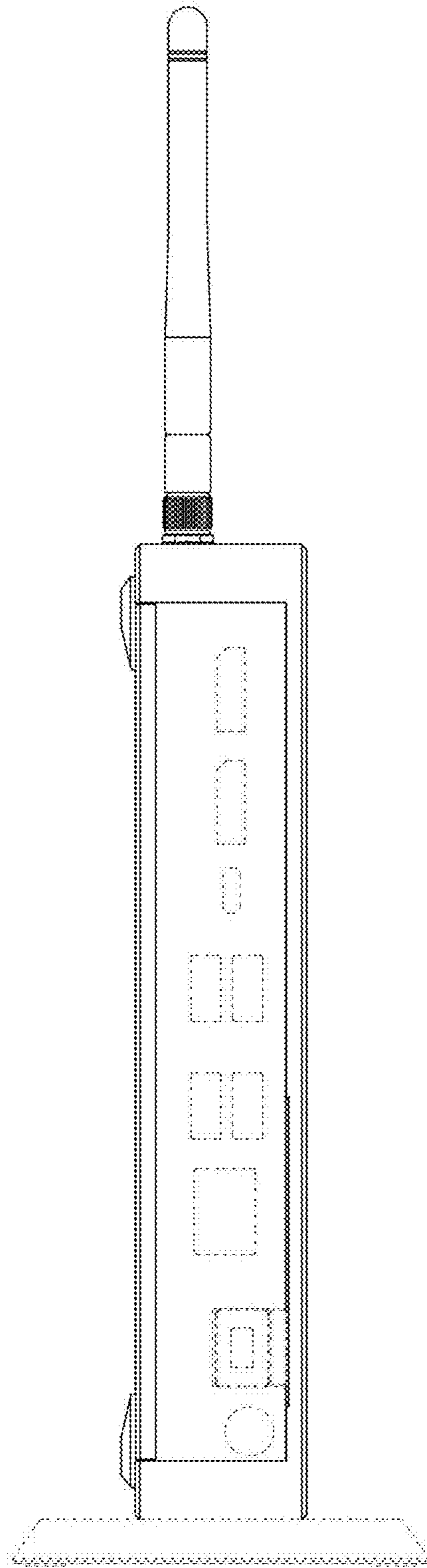
1.2



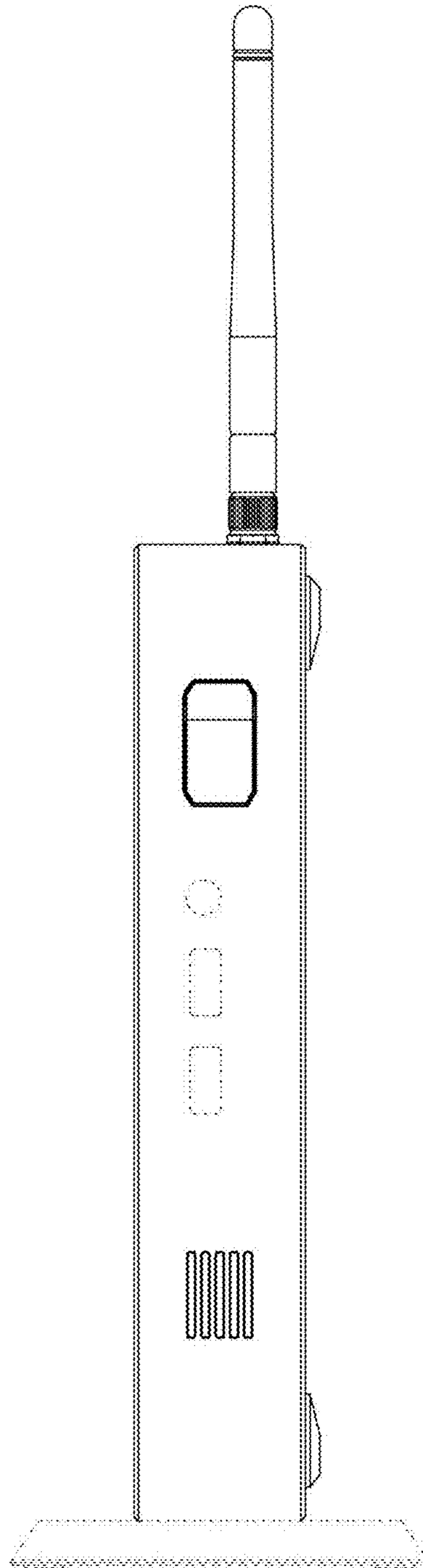
1.3



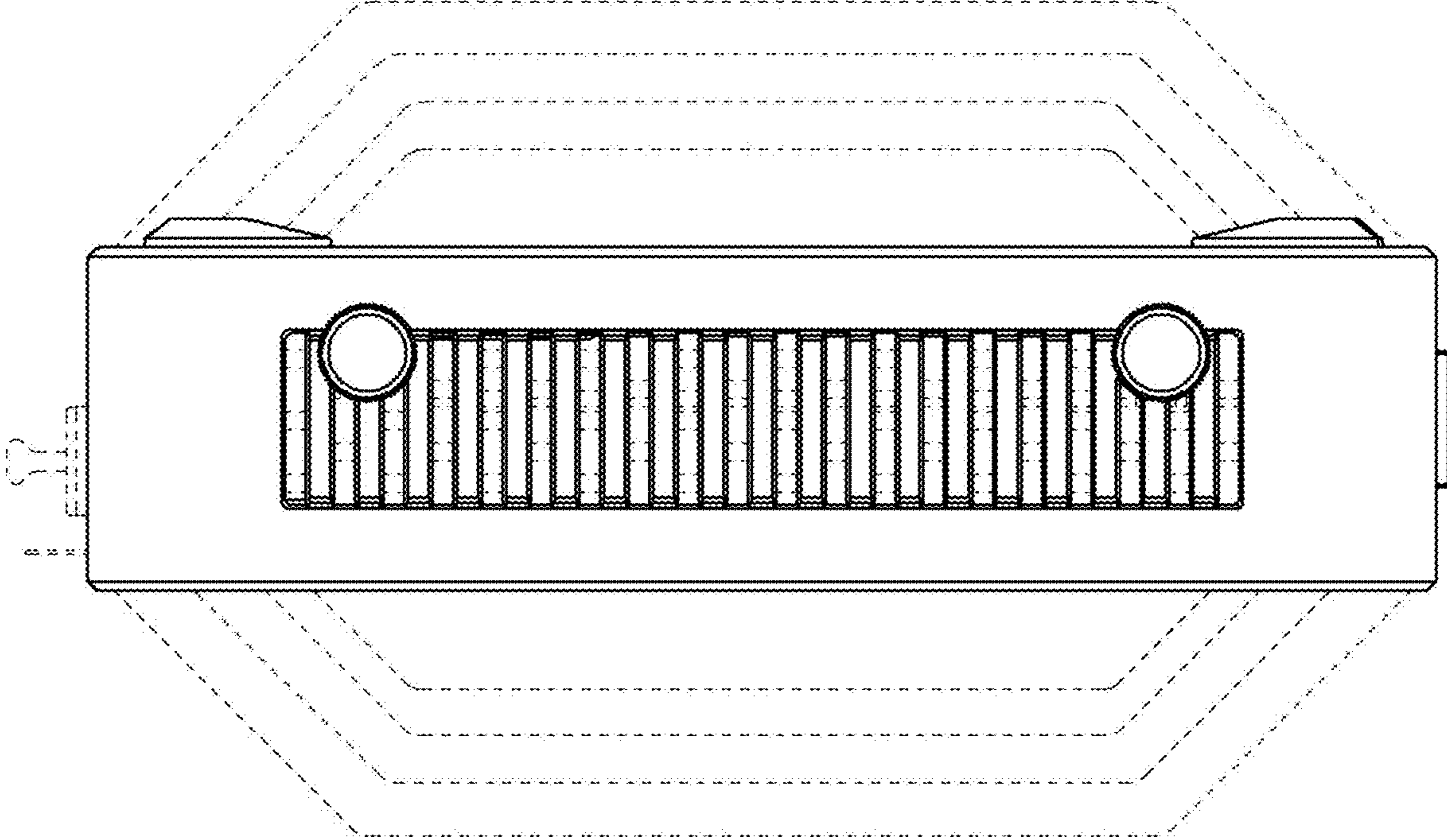
1.4



1.5



1.6



1.7

