



US00D974347S

(12) **United States Design Patent**
Adelman

(10) **Patent No.:** **US D974,347 S**

(45) **Date of Patent:** **** Jan. 3, 2023**

(54) **DEVICE MOUNT**

(71) Applicant: **Nite Ize, Inc.**, Boulder, CO (US)

(72) Inventor: **Gregory M. Adelman**, Boulder, CO (US)

(73) Assignee: **Nite Ize, Inc.**, Boulder, CO (US)

(**) Term: **15 Years**

(21) Appl. No.: **29/785,910**

(22) Filed: **May 27, 2021**

Related U.S. Application Data

(63) Continuation of application No. 29/755,437, filed on Oct. 20, 2020.

(51) **LOC (14) Cl.** **14-99**

(52) **U.S. Cl.**
USPC **D14/253**

(58) **Field of Classification Search**
USPC D14/251-253, 224, 224.1, 432-434, 447, D14/451, 452; D12/114, 415, 426.1, 223, D12/406, 407; D16/242, 244, 245; D3/218; D13/108
CPC B60R 11/00; B60R 11/02; B60R 11/0241; B60R 11/0252; B60R 2011/0003; B60R 2011/0005; B60R 2011/0008; H04M 1/04; F16M 11/00; F16M 11/04; F16M 11/041; F16M 11/06; H05K 5/0204
See application file for complete search history.

(56) **References Cited**

U.S. PATENT DOCUMENTS

D707,672 S 6/2014 Lai
D817,317 S 5/2018 Lee
D833,369 S 11/2018 Lan
10,259,400 B1 * 4/2019 Song B60R 11/0241
D875,090 S * 2/2020 Leeds-Frank D14/253

D877,066 S * 3/2020 Zhang D12/415
D879,090 S 3/2020 Chung
10,598,199 B1 * 3/2020 Fan B60R 11/0241
D881,200 S * 4/2020 Leeds-Frank D14/447

(Continued)

FOREIGN PATENT DOCUMENTS

CN 304646653 S 5/2018
CN 306093100 * 10/2020

(Continued)

OTHER PUBLICATIONS

Adjustable Handlebar Mount for Tables or Phones, date not known [online], retrieved on Aug. 5, 2022, retrieved from the Internet: (Year: 2022).

(Continued)

Primary Examiner — Rebekah A Caruso

(74) *Attorney, Agent, or Firm* — Potomac Law Group, PLLC

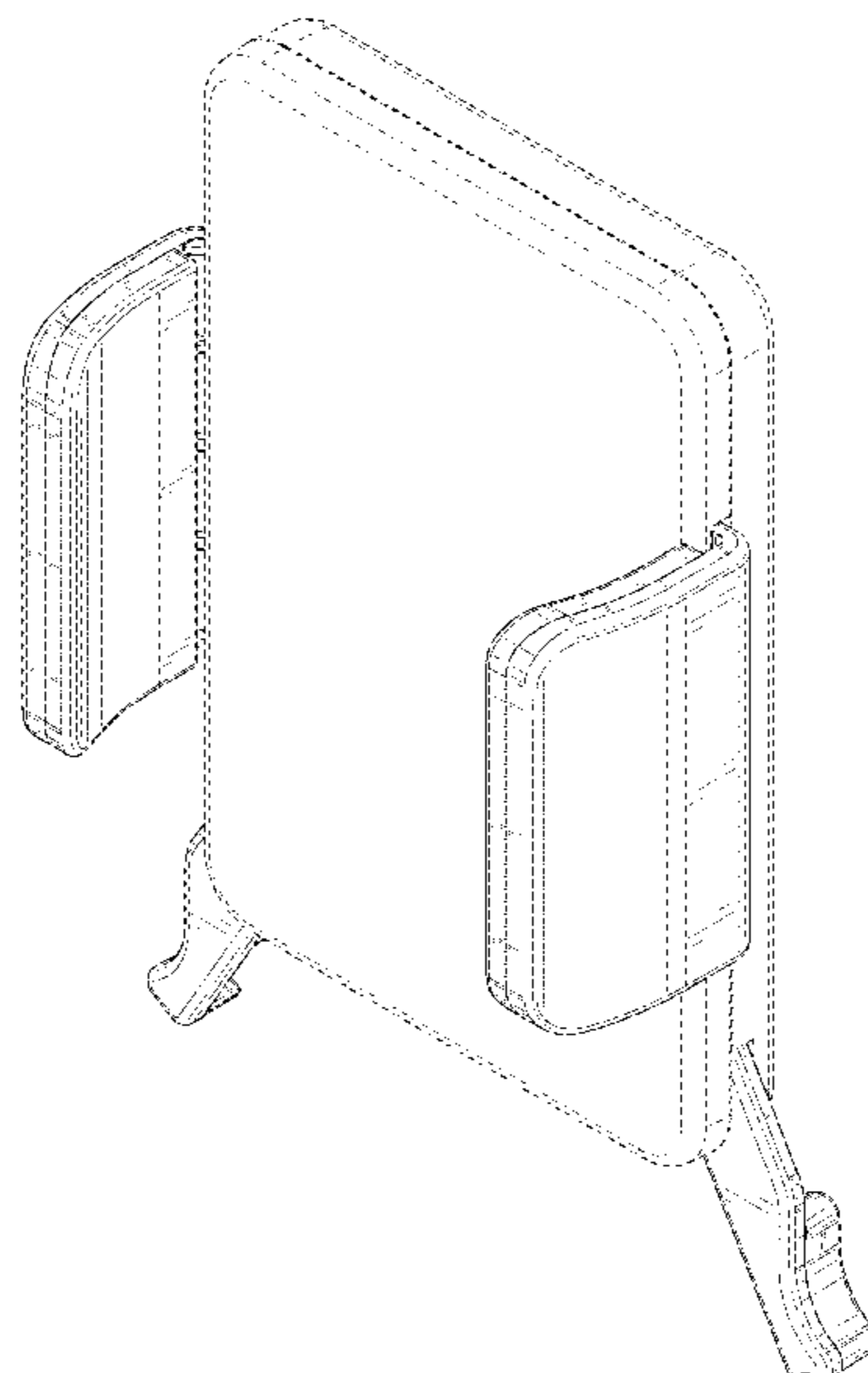
(57) **CLAIM**

The ornamental design for a device mount, as shown and described.

DESCRIPTION

FIG. 1 shows a front perspective view of a device mount; FIG. 2 shows a front view of the device mount of FIG. 1; FIG. 3 shows a rear view of the device mount of FIG. 1; FIG. 4 shows a right side view of the device mount of FIG. 1; FIG. 5 shows a left side view of the device mount of FIG. 1; FIG. 6 shows a top view of the device mount of FIG. 1; and, FIG. 7 shows a bottom view of the device mount of FIG. 1. The broken lines depict portions of the device mount that form no part of the claimed design.

1 Claim, 7 Drawing Sheets



(56)

References Cited

U.S. PATENT DOCUMENTS

D889,454 S * 7/2020 Liu D14/253
D892,787 S * 8/2020 Chen D14/253
D894,829 S * 9/2020 Zhang D13/108
D895,544 S * 9/2020 Zhao D13/108
D895,601 S * 9/2020 Liao D14/253
D896,177 S * 9/2020 Zheng D13/108
D900,087 S * 10/2020 Leeds-Frank D14/253
D908,689 S * 1/2021 Chen D14/253
11,027,665 B1 * 6/2021 Cao B60R 11/0241
D926,107 S * 7/2021 Leeds-Frank D12/415
D926,108 S * 7/2021 Leeds-Frank D12/415
D928,041 S * 8/2021 Jones
D931,204 S * 9/2021 Liao D13/108
D934,235 S * 10/2021 Liao D12/415
D946,492 S * 3/2022 Qu D12/415
2011/0183728 A1 7/2011 Lin
2013/0292296 A1 11/2013 Kang et al.
2014/0009900 A1 1/2014 Yeo

2016/0080022 A1 3/2016 Radmard
2020/0191178 A1* 6/2020 Yang H04M 1/04
2022/0124190 A1* 4/2022 Adelman F16M 13/02

FOREIGN PATENT DOCUMENTS

GB 6088007 S 4/2020
JP 1667077 S 8/2020
KR 3020190000593 S 5/2019

OTHER PUBLICATIONS

Bike Phone Mount, Motorcycle Phone Holder, Nov. 28, 2020 [online], retrieved Aug. 5, 2022, retrieved from the Internet (Year: 2020).
Nite Ize Squeeze Rotating Smartphone Bar Mount, Dec. 15, 2020 [online], retrieved on Aug. 11, 2022, retrieved from the Internet: (Year:2020).

* cited by examiner

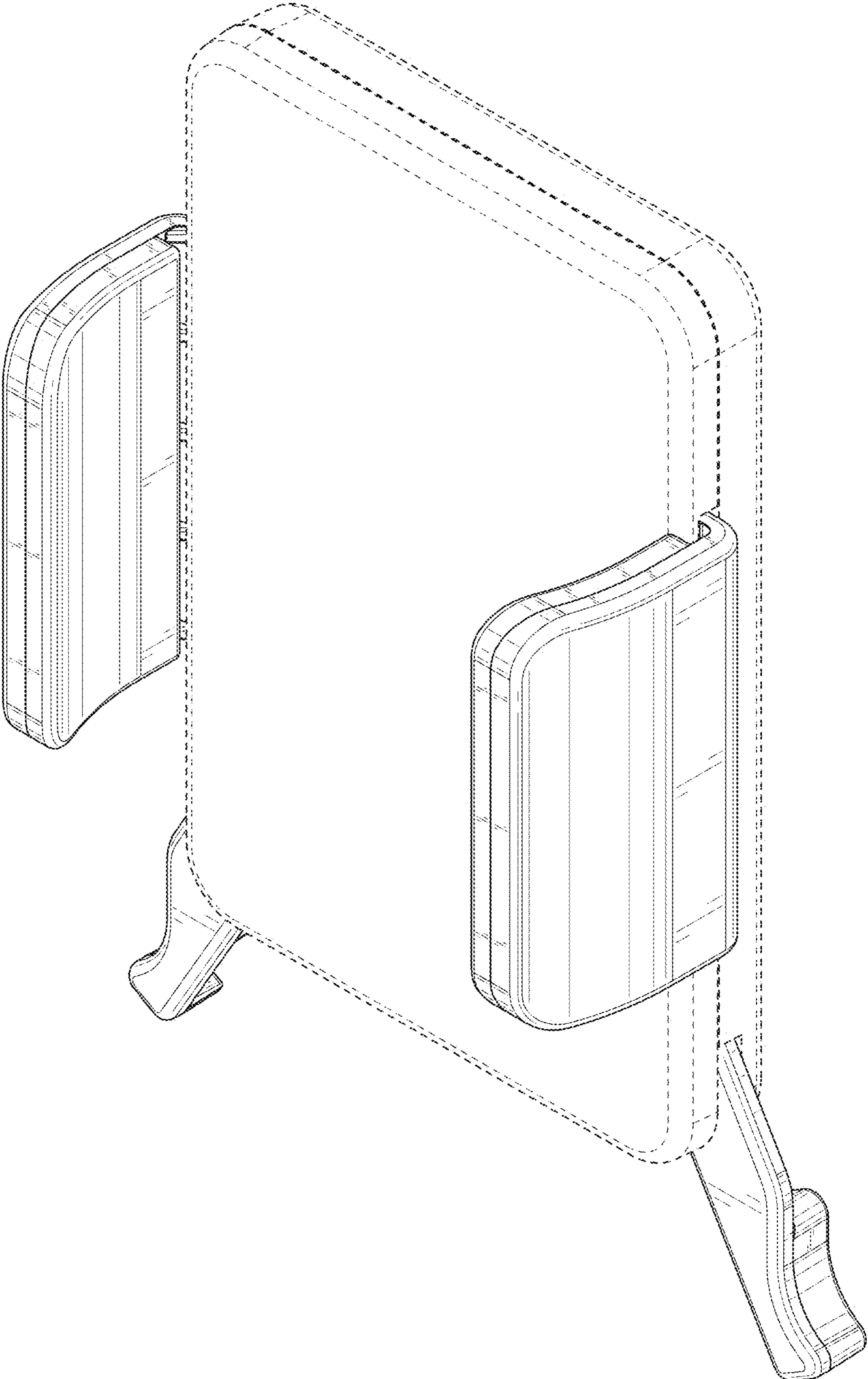


FIG. 1

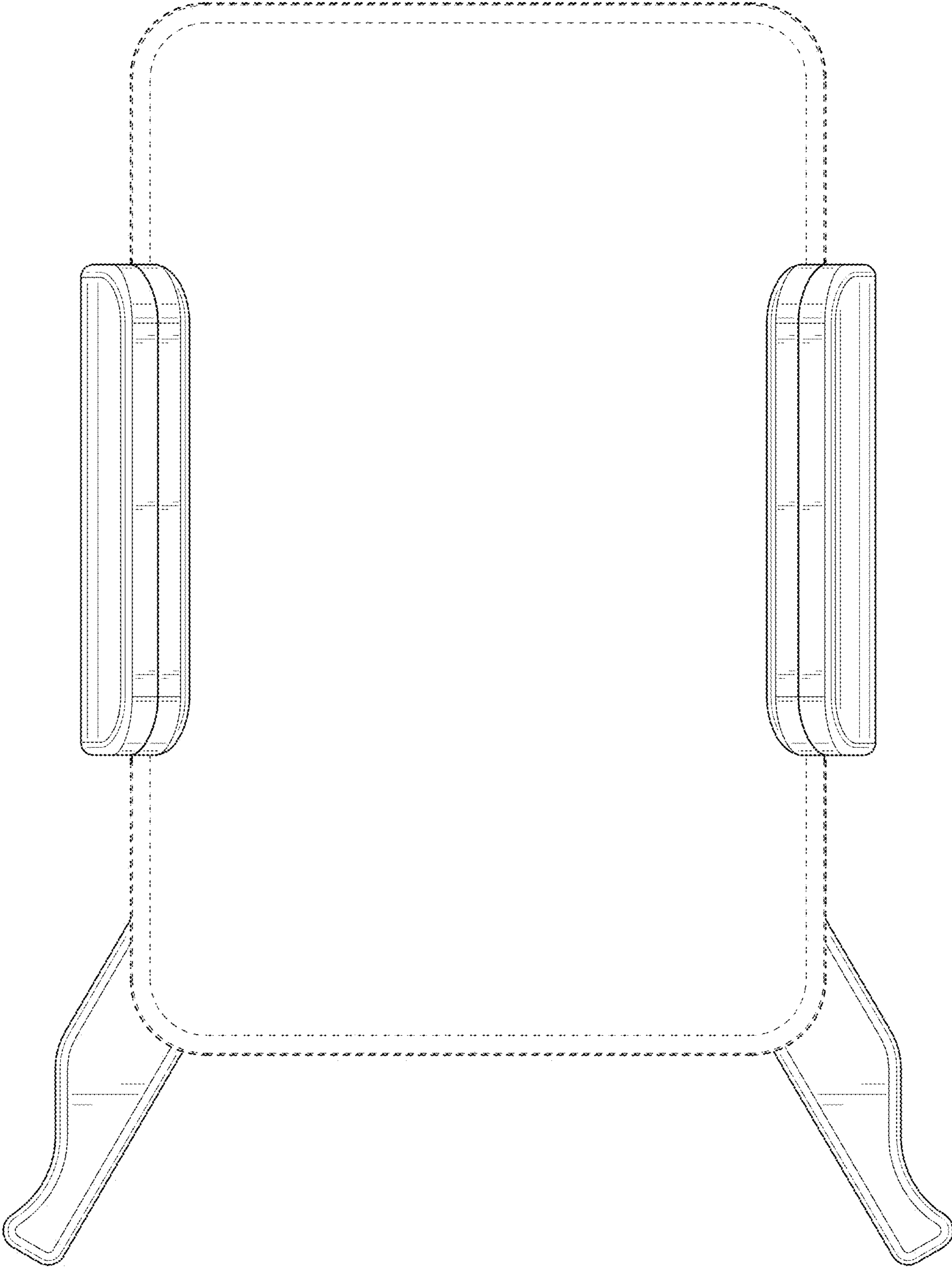


FIG. 2

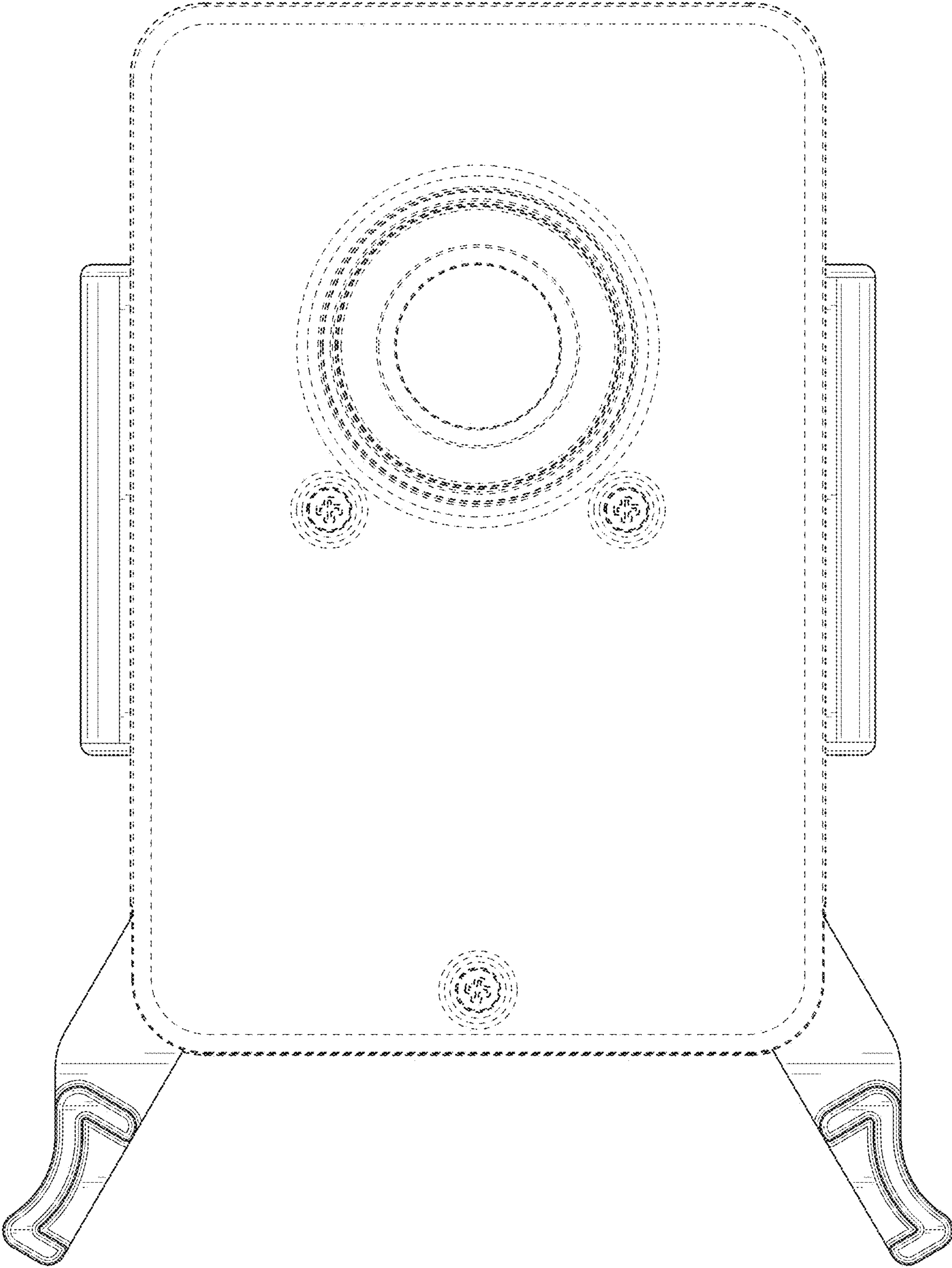


FIG. 3

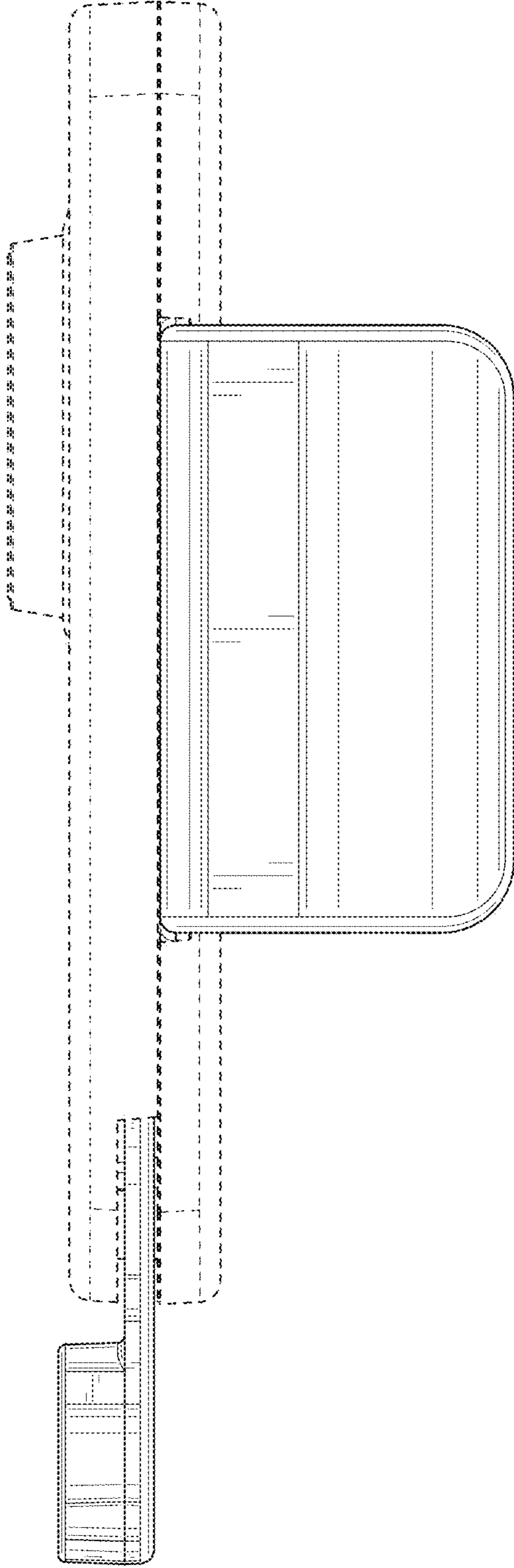


FIG. 4

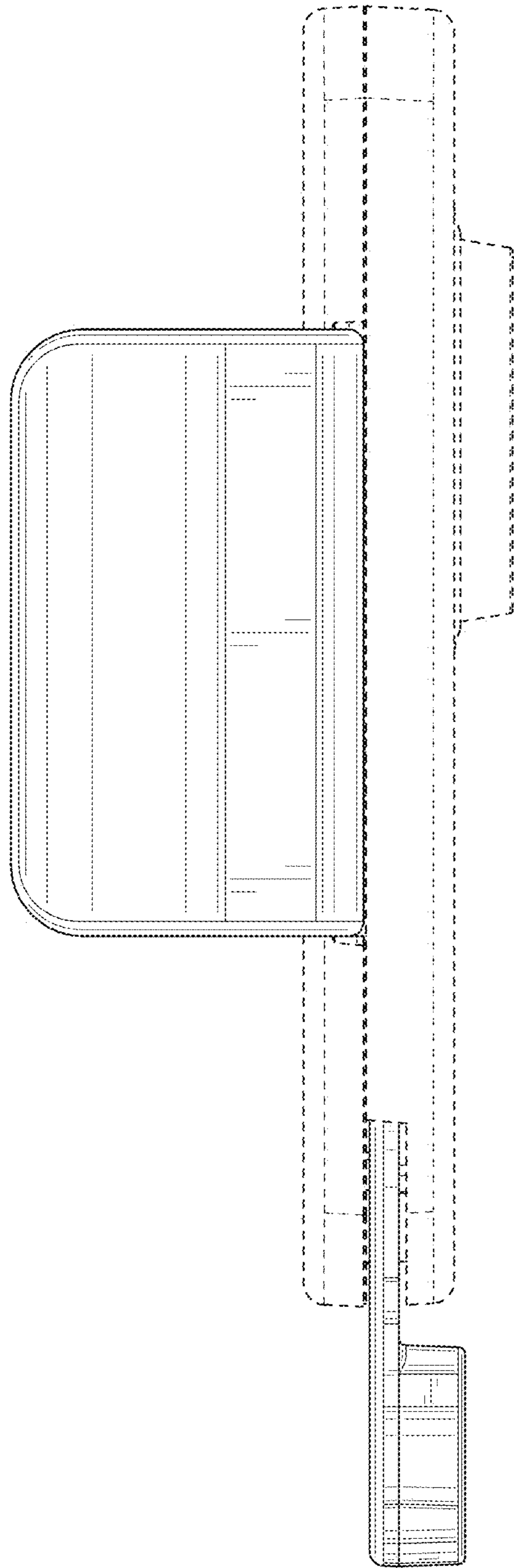


FIG. 5

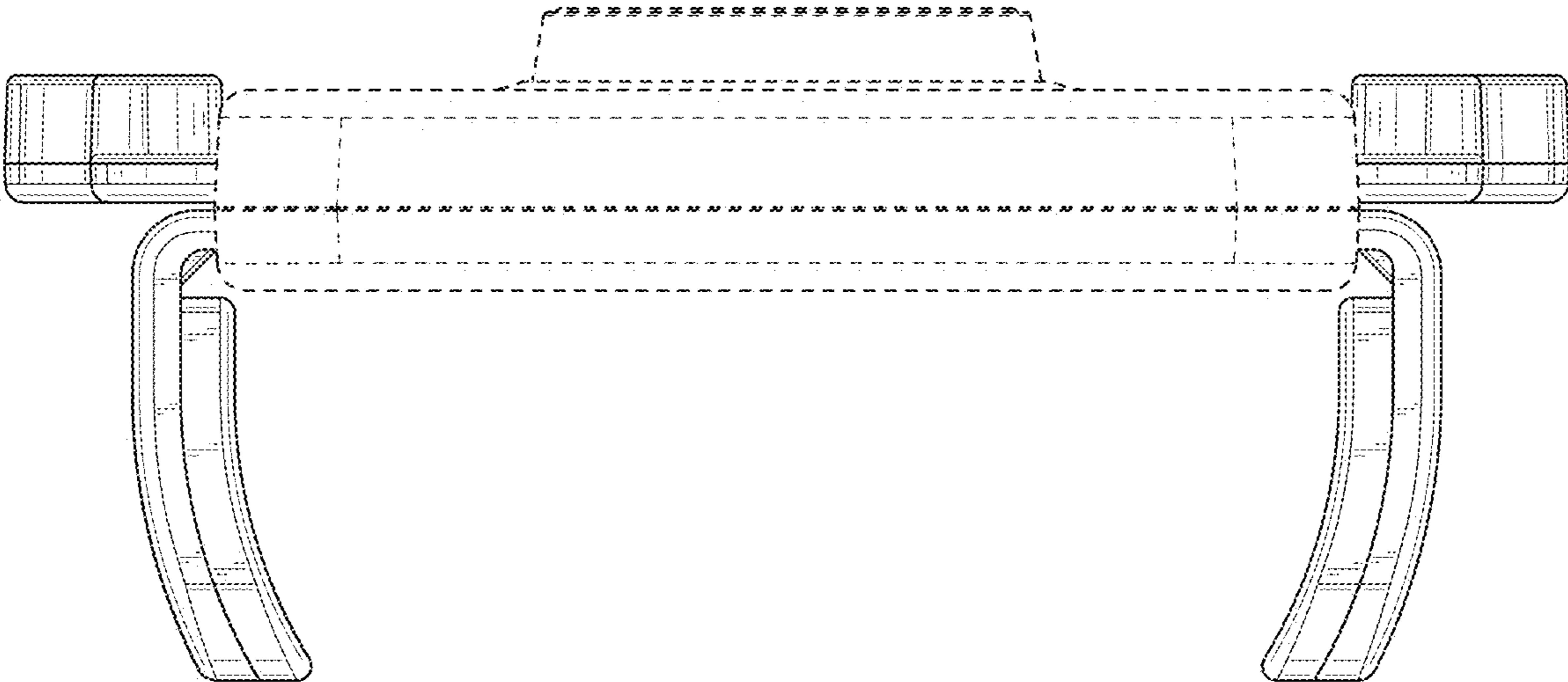


FIG. 6

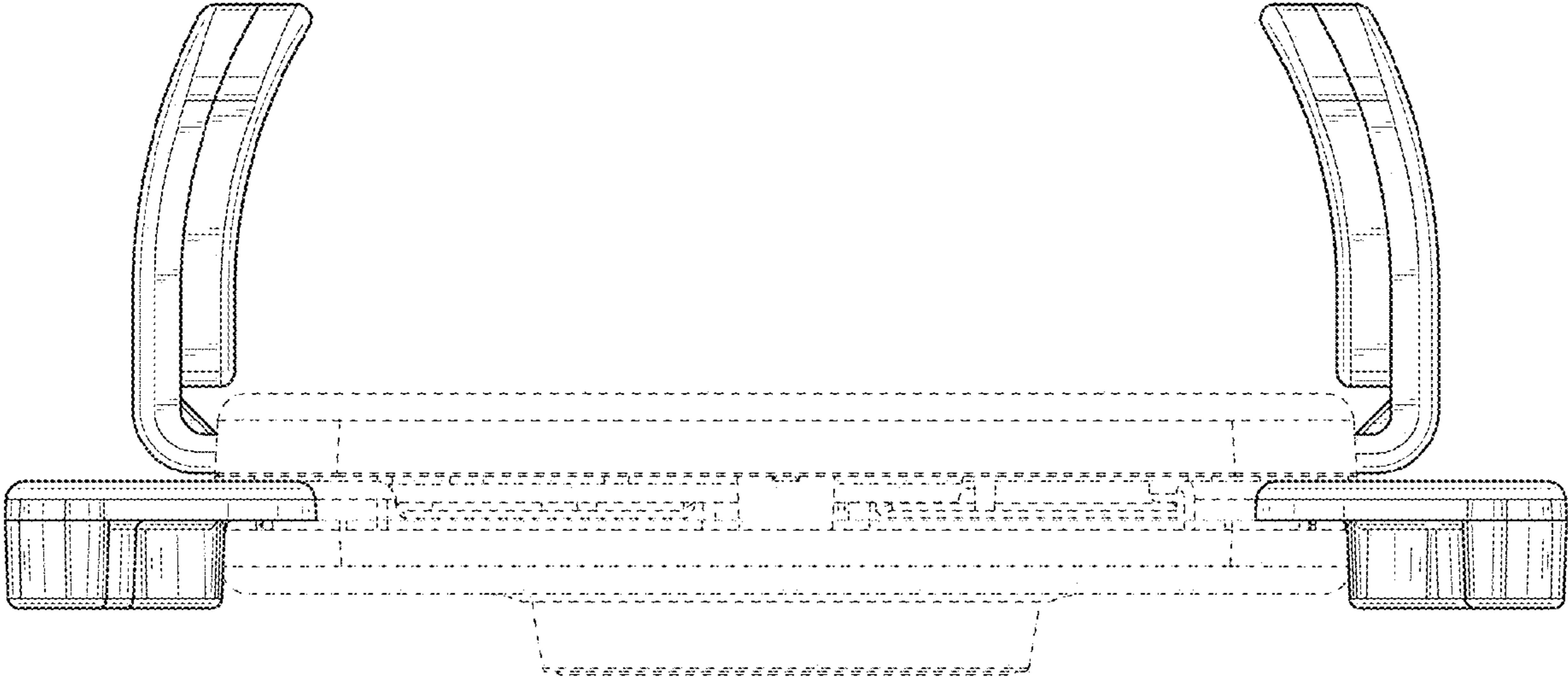


FIG. 7