



US00D974346S

(12) **United States Design Patent** (10) **Patent No.:** **US D974,346 S**
Xie (45) **Date of Patent:** **** Jan. 3, 2023**

(54) **PHONE CASE**

(71) Applicant: **Xianhui Xie**, Fuzhou (CN)

(72) Inventor: **Xianhui Xie**, Fuzhou (CN)

(**) Term: **15 Years**

(21) Appl. No.: **29/800,934**

(22) Filed: **Jul. 25, 2021**

(51) **LOC (14) Cl.** **14-03**

(52) **U.S. Cl.**
USPC **D14/250**; D14/251

(58) **Field of Classification Search**
USPC D3/201, 218, 247, 249, 269; D13/107,
D13/108, 118, 119; D14/217, 248,
D14/250-253, 432, 440
CPC H04B 1/3888; H04M 1/0283; H04M
1/0202; A45F 2005/028; A45F 2200/0525
See application file for complete search history.

(56) **References Cited**

U.S. PATENT DOCUMENTS

D641,154 S *	7/2011	Smith	D3/218
8,936,222 B1 *	1/2015	Bastian	A45F 5/00 224/183
D775,619 S *	1/2017	Tien	D14/250
10,117,505 B1 *	11/2018	Alvarez	A45F 5/00
10,278,299 B2 *	4/2019	Kim	F16M 13/04
10,581,480 B1 *	3/2020	Kim	A45F 5/00
D892,491 S *	8/2020	Feng	D3/201
10,784,914 B1 *	9/2020	Kim	H04M 1/725
D902,194 S *	11/2020	Gluck	D3/249
D903,650 S *	12/2020	Huang	D14/250
D931,847 S *	9/2021	Min	D14/253
D954,695 S *	6/2022	Deng	D14/250
D958,131 S *	7/2022	Kanakis	D14/250
D960,882 S *	8/2022	Spinella	D13/108

D963,635 S *	9/2022	Peng	D14/250
2009/0090750 A1 *	4/2009	Alcenat	A45F 5/00 224/101
2015/0257288 A1 *	9/2015	Livernois	H04M 1/04 248/346.06
2015/0312389 A1 *	10/2015	Curran	H04M 1/0281 455/575.6
2016/0039357 A1 *	2/2016	Jang	F16M 13/00 224/567
2017/0055660 A1 *	3/2017	Tien	A45C 11/00
2018/0220782 A1 *	8/2018	Mody	A45F 5/00
2019/0208046 A1 *	7/2019	Gluck	H04M 1/21
2020/0099413 A1 *	3/2020	Kim	A45C 11/00
2021/0012623 A1 *	1/2021	Gov-Ari	G08B 25/016

* cited by examiner

Primary Examiner — L. A. Grabenstetter
(74) *Attorney, Agent, or Firm* — Jeenam Park

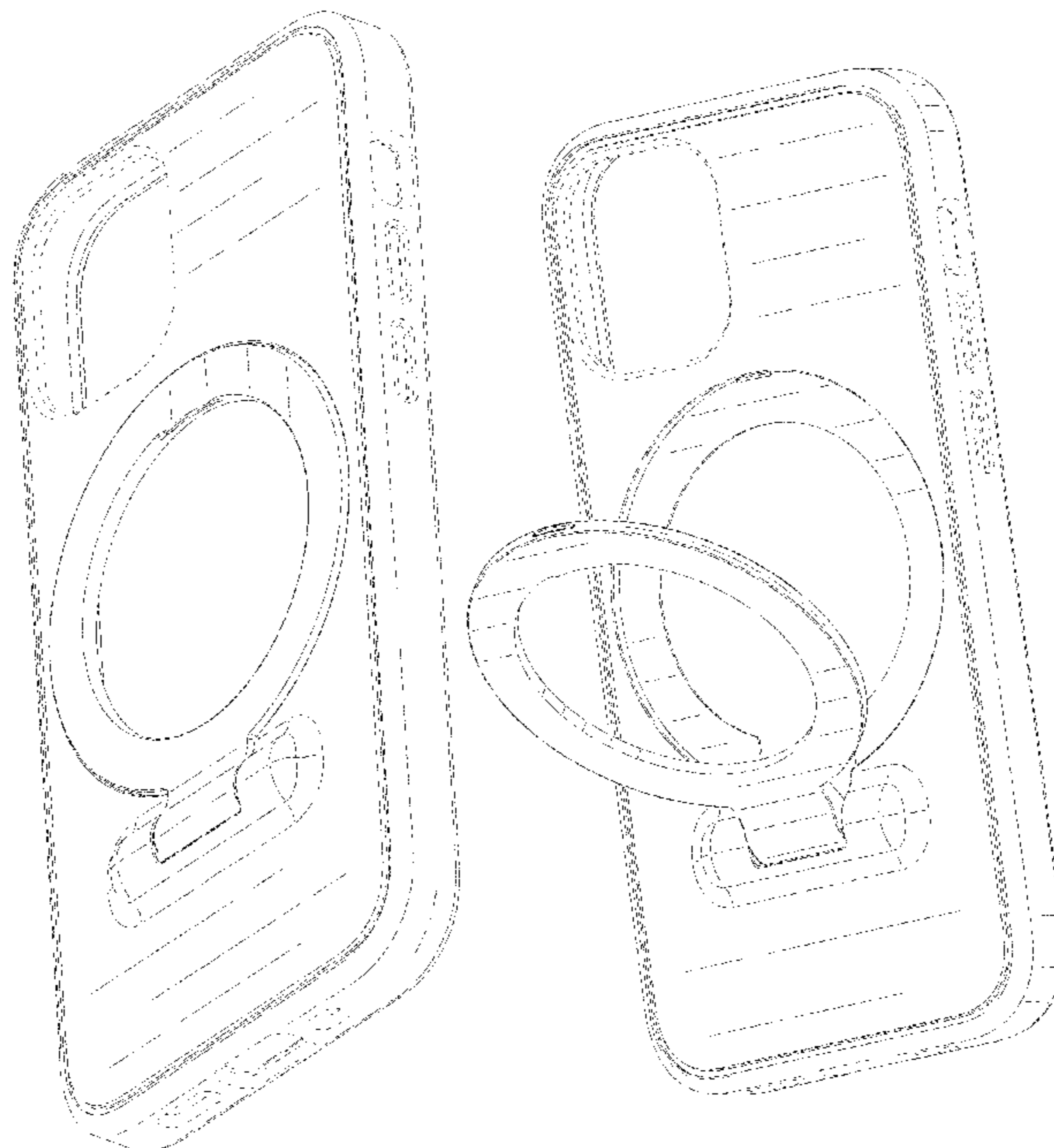
(57) **CLAIM**

The ornamental design for a phone case, as shown and described.

DESCRIPTION

FIG. 1 is a perspective view of a phone case showing my new design;
FIG. 2 is another perspective view thereof;
FIG. 3 is a view of use state;
FIG. 4 is a front view thereof;
FIG. 5 is a rear view thereof;
FIG. 6 is a left side view thereof;
FIG. 7 is a right side view thereof;
FIG. 8 is a top plan view thereof; and,
FIG. 9 is a bottom plan view thereof.
The dashed or broken lines shown in the drawings depict portions of the phone case in which the design is embodied that form no part of the claimed design.

1 Claim, 9 Drawing Sheets



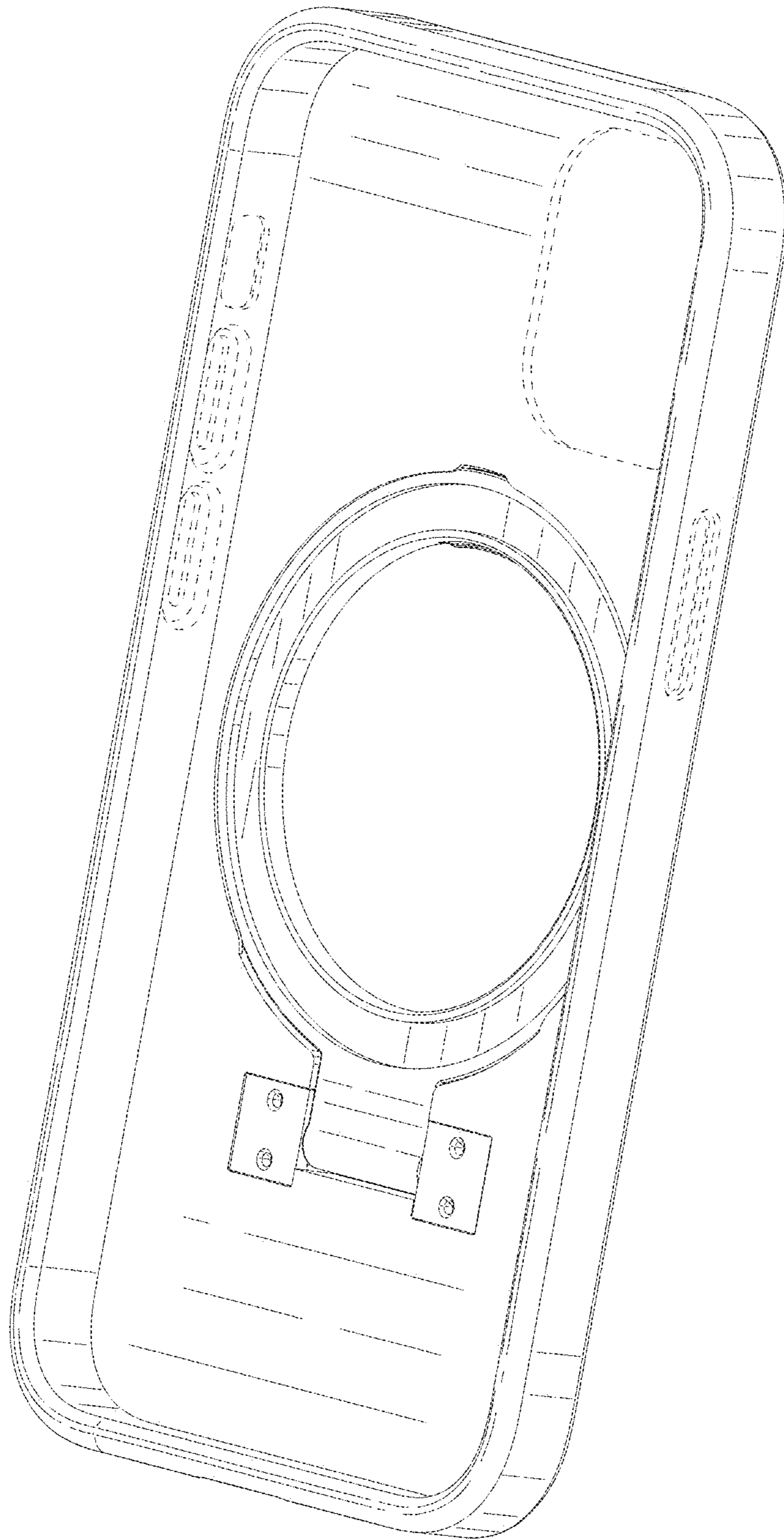


FIG. 1

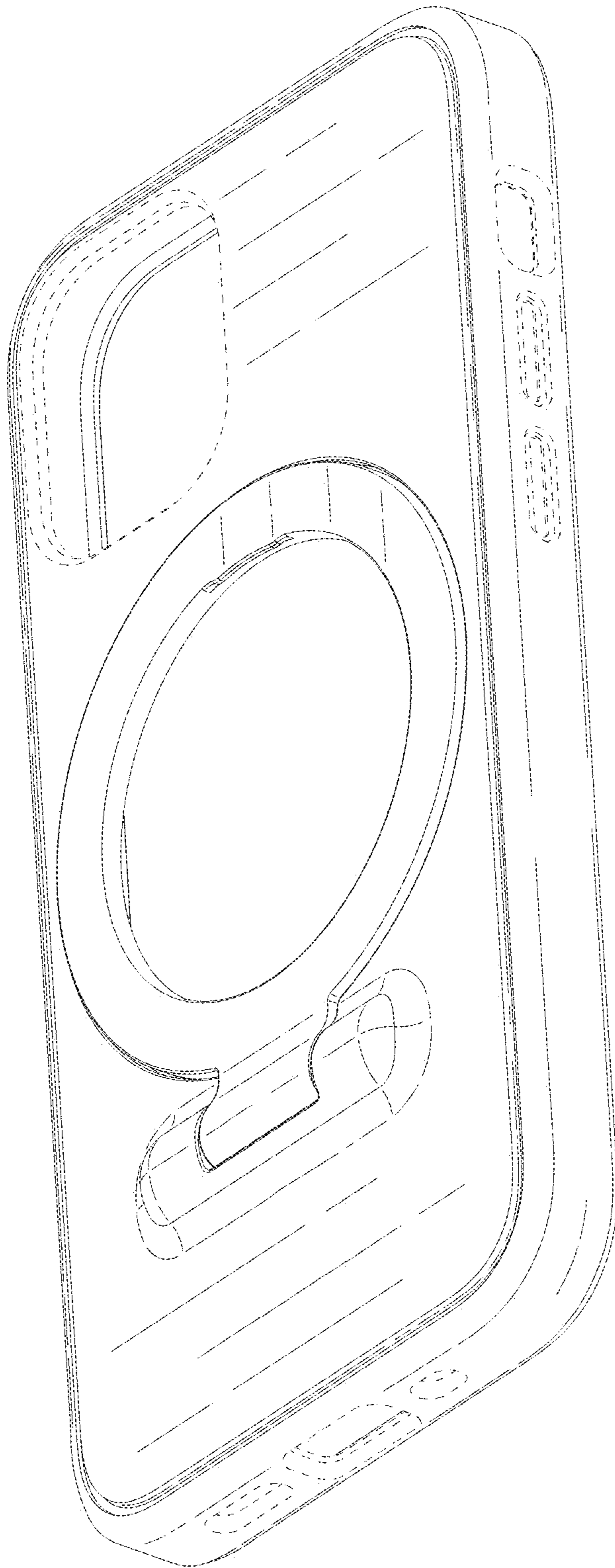


FIG. 2

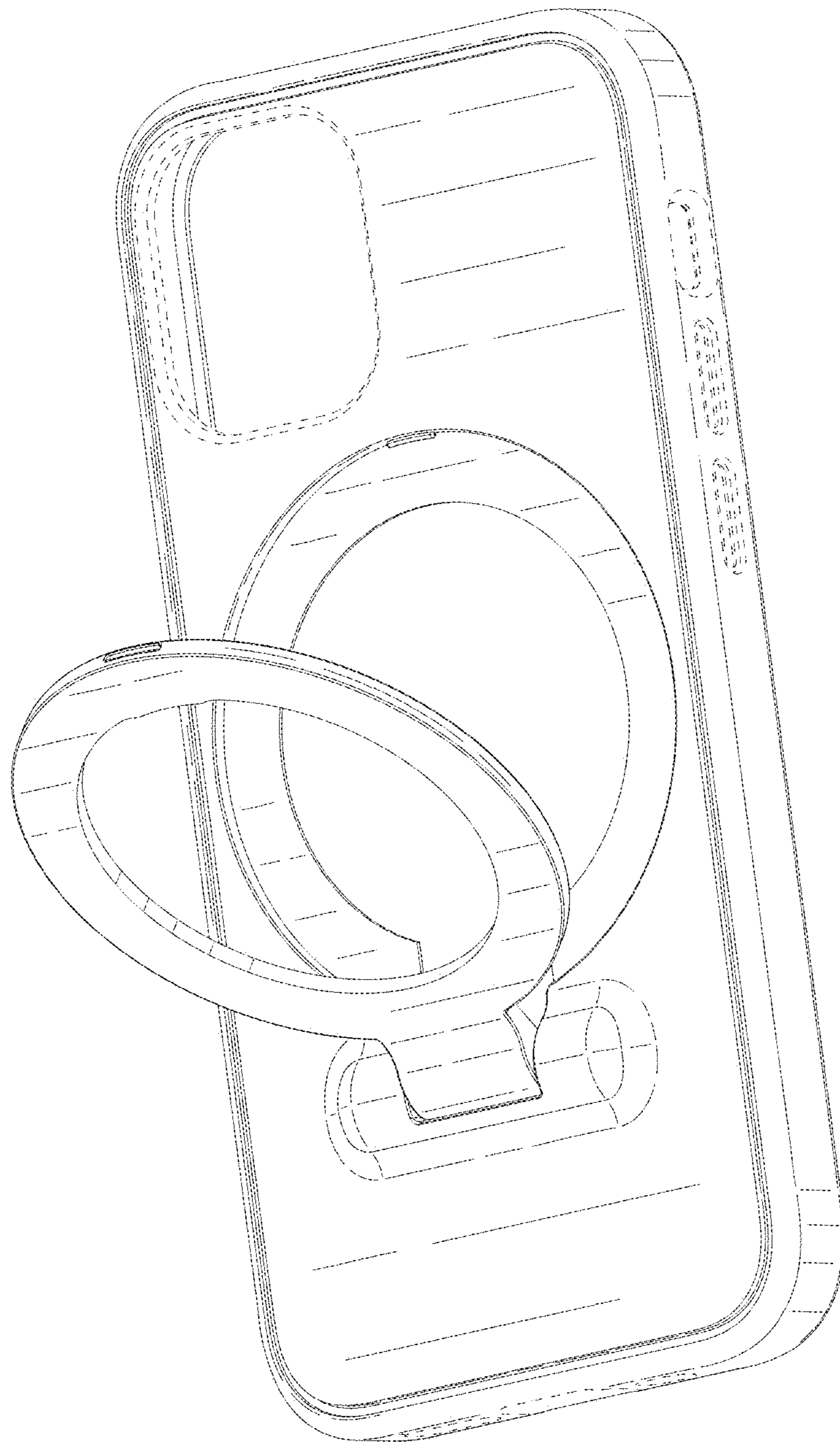


FIG. 3

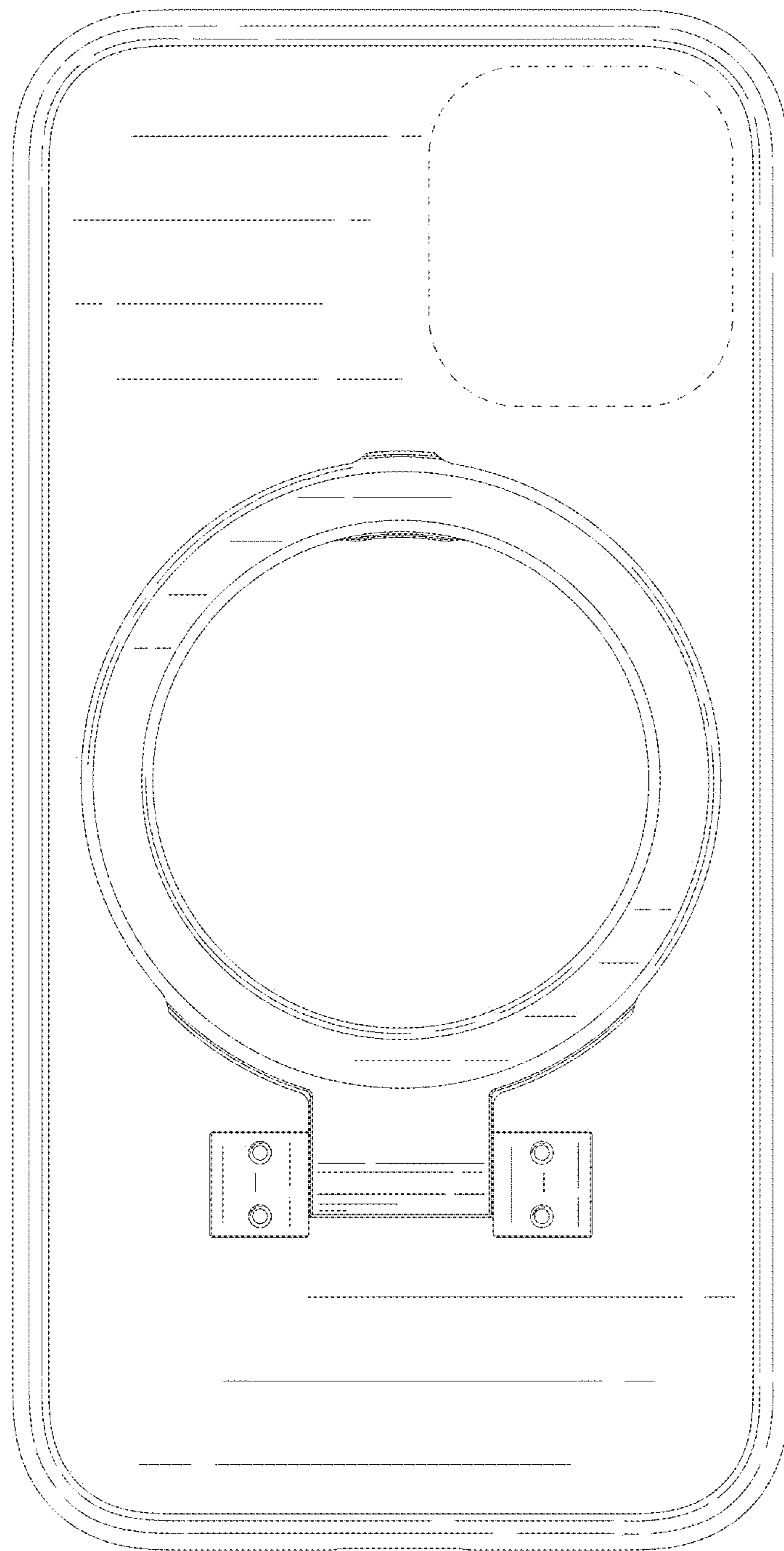


FIG. 4

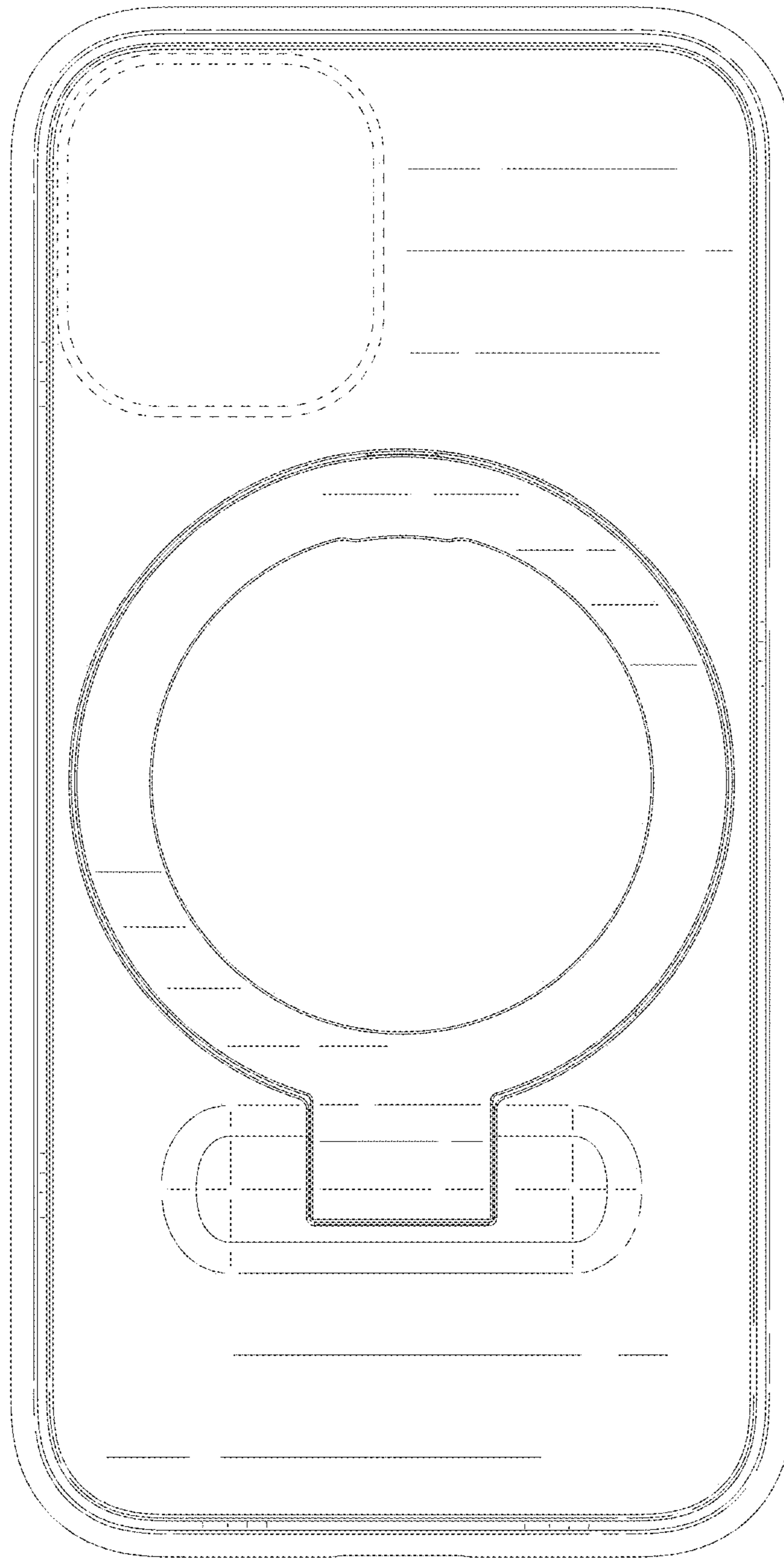


FIG. 5

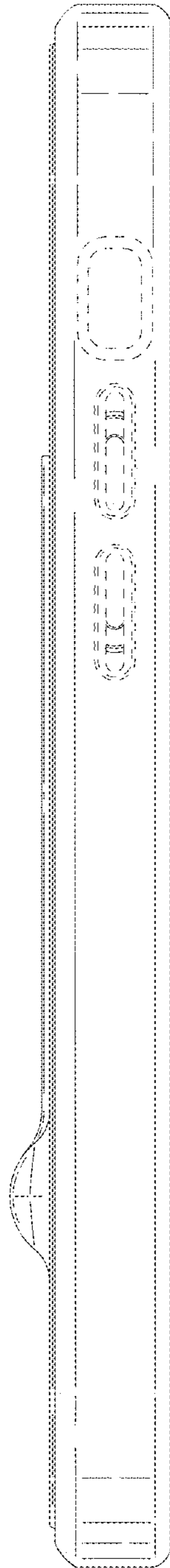


FIG. 6

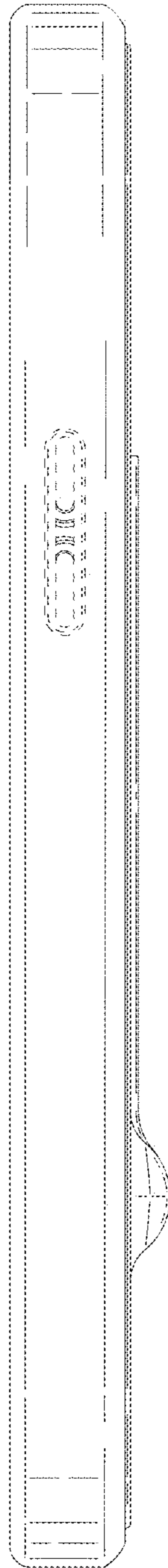


FIG. 7

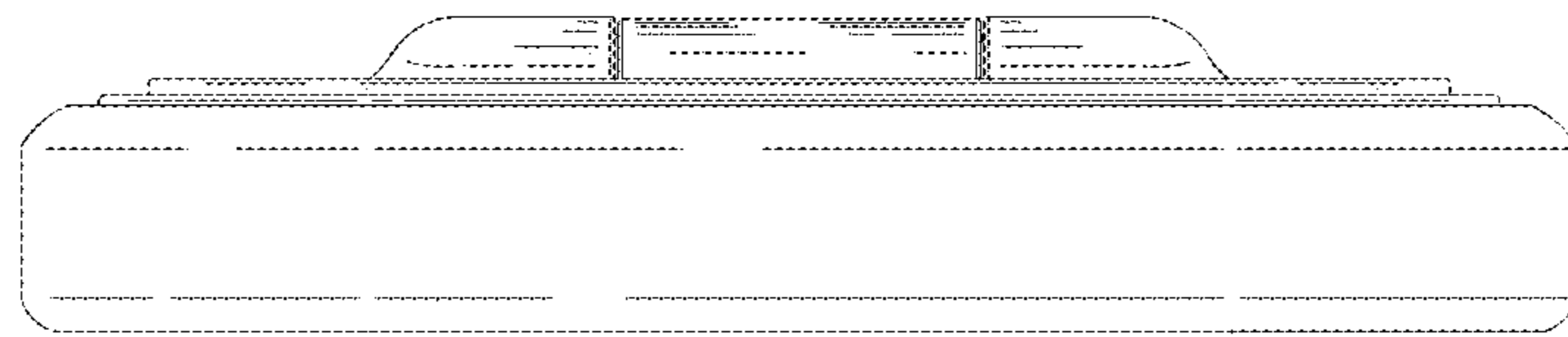


FIG. 8

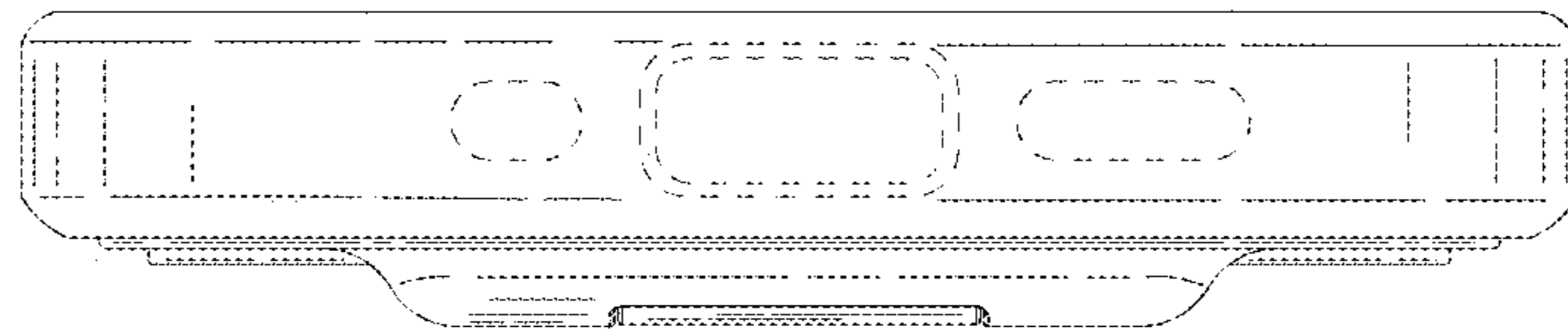


FIG. 9