



US00D974341S

(12) **United States Design Patent**  
**Ju**

(10) **Patent No.:** **US D974,341 S**

(45) **Date of Patent:** **\*\* Jan. 3, 2023**

(54) **NETWORK SWITCH**

(71) Applicant: **Samsung Electronics Co., Ltd.**,  
Suwon-si (KR)

(72) Inventor: **Taihyung Ju**, Suwon-si (KR)

(73) Assignee: **Samsung Electronics Co., Ltd.**,  
Suwon-si (KR)

(\*\*) Term: **15 Years**

(21) Appl. No.: **29/777,403**

(22) Filed: **Apr. 6, 2021**

(30) **Foreign Application Priority Data**

Dec. 10, 2020 (KR) ..... 30-2020-0061158

(51) **LOC (14) Cl.** ..... **14-03**

(52) **U.S. Cl.**  
USPC ..... **D14/240**

(58) **Field of Classification Search**  
USPC .... D14/240, 242, 357, 358, 140-140.9, 155,  
D14/125, 137, 139, 243, 348, 349, 351,  
D14/354, 355, 313; D13/184  
CPC ..... H04L 12/00; H03K 17/00; H04W 88/00;  
H04W 88/005; H04W 88/02; H04W  
88/08; H04W 88/085; H04W 88/10;  
H04W 88/12; H04W 88/14; H04B 1/38  
See application file for complete search history.

(56) **References Cited**

**U.S. PATENT DOCUMENTS**

D431,239 S *	9/2000	Sasago	.....	D14/313
D536,675 S *	2/2007	Millar	.....	D13/184
D541,263 S *	4/2007	Yao	.....	D14/240
D585,441 S *	1/2009	Alfonso	.....	D14/313
D606,542 S *	12/2009	Lu	.....	D14/240
D730,307 S *	5/2015	Tang	.....	D14/125
D767,546 S *	9/2016	Kwak	.....	D14/240
D767,547 S *	9/2016	Kwak	.....	D14/240

D785,616 S *	5/2017	Zimmermann	.....	D14/313
D886,087 S *	6/2020	Jang	.....	D14/240
D895,561 S *	9/2020	Xiang	.....	D13/133

(Continued)

**FOREIGN PATENT DOCUMENTS**

JP	D1691935	*	8/2021
JP	D1691936	*	8/2021
JP	D1691937	*	8/2021

(Continued)

*Primary Examiner* — Bridget L Eland

(74) *Attorney, Agent, or Firm* — NSIP Law

(57) **CLAIM**

I claim the ornamental design for a network switch, as shown and described.

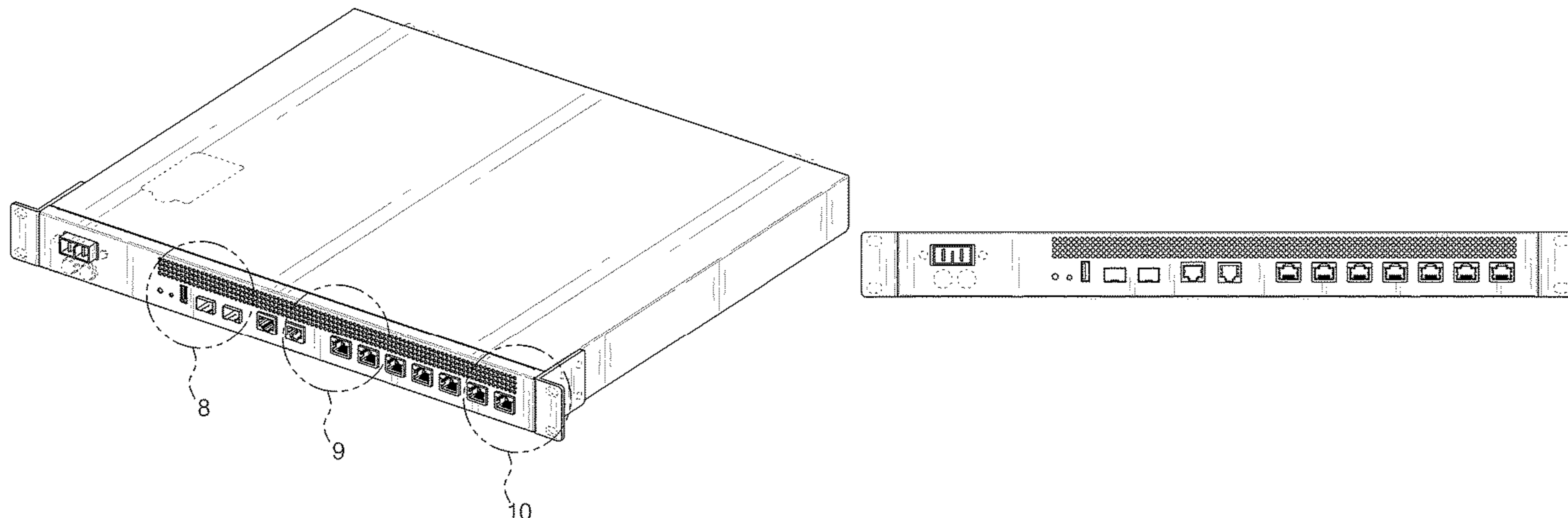
**DESCRIPTION**

FIG. 1 is a front perspective view of a network switch showing my new design;  
FIG. 2 is a front view thereof;  
FIG. 3 is a rear view thereof;  
FIG. 4 is a left-side view thereof;  
FIG. 5 is a right-side view thereof;  
FIG. 6 is a top view thereof;  
FIG. 7 is a bottom view thereof;  
FIG. 8 is an enlarged view of the encircled portion 8 in FIG. 1;  
FIG. 9 is an enlarged view of the encircled portion 9 in FIG. 1; and  
FIG. 10 is an enlarged view of the encircled portion 10 in FIG. 1.

The evenly-dashed broken lines in the figures depict portions of the network switch which form no part of the claimed design.

The dot-dot-dash broken lines encircling portions of the claimed design that are illustrated in enlargements form no part of the claimed design.

**1 Claim, 8 Drawing Sheets**



(56)

**References Cited**

U.S. PATENT DOCUMENTS

D937,235 S \* 11/2021 Xiang ..... D13/133  
D937,236 S \* 11/2021 Xiang ..... D13/133

FOREIGN PATENT DOCUMENTS

KR 301132246.0000 \* 10/2021  
KR 301140399.0000 \* 12/2021  
KR 301140400.0000 \* 12/2021  
KR 301140401.0000 \* 12/2021

\* cited by examiner

FIG. 1

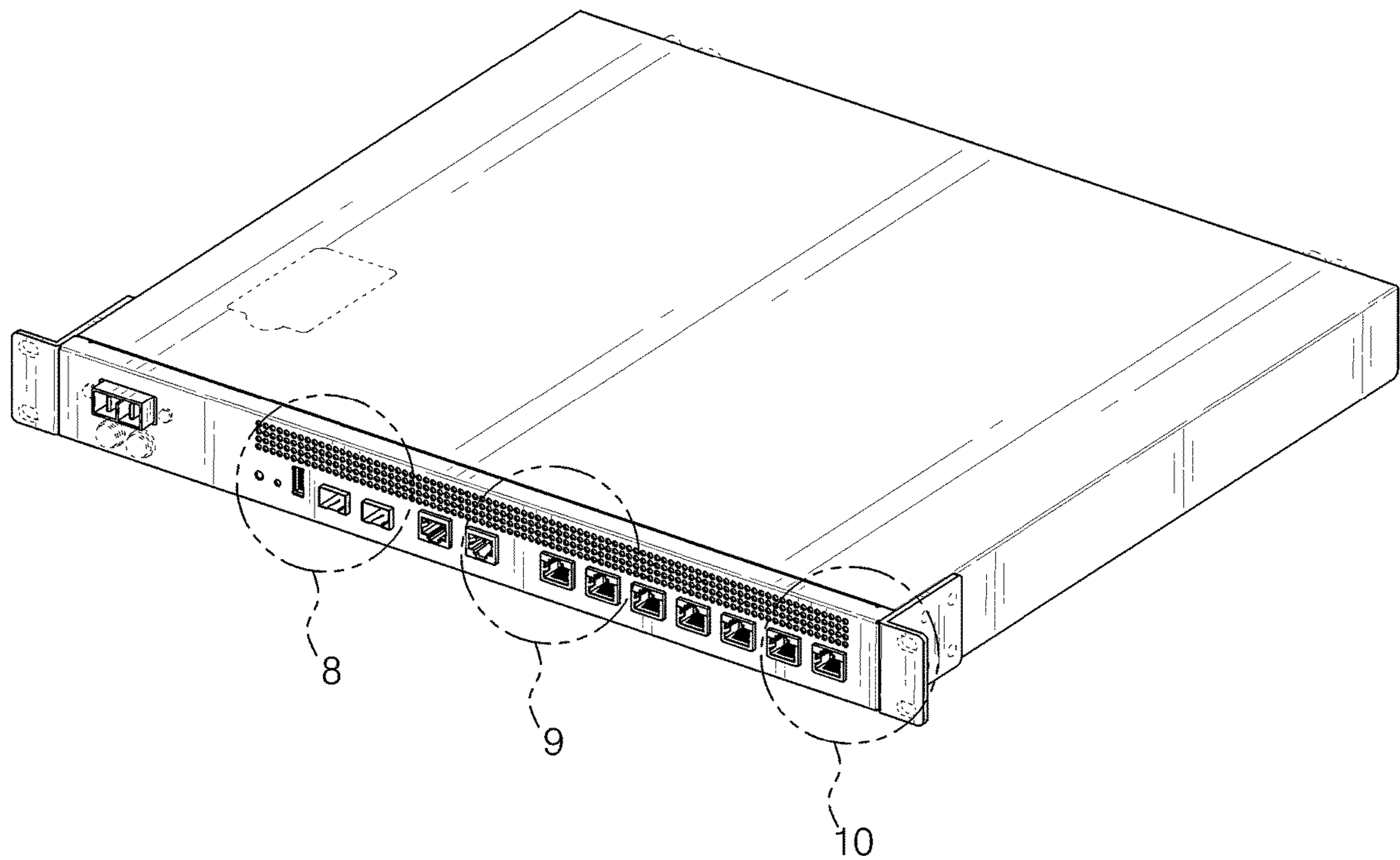


FIG. 2

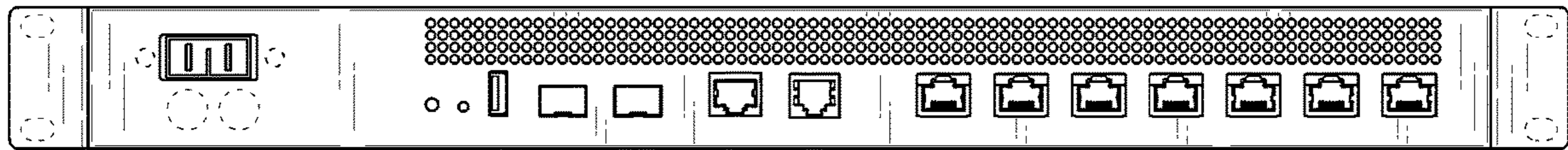


FIG. 3

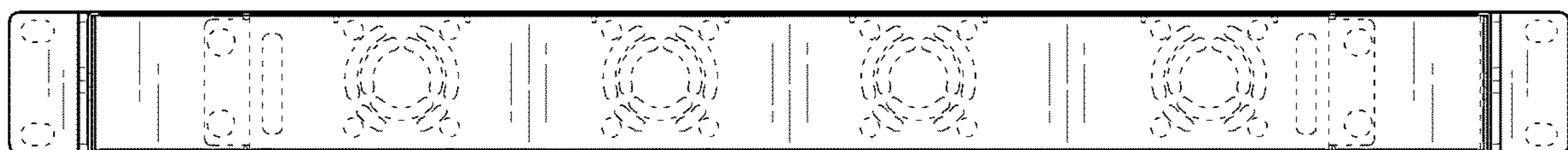


FIG. 4

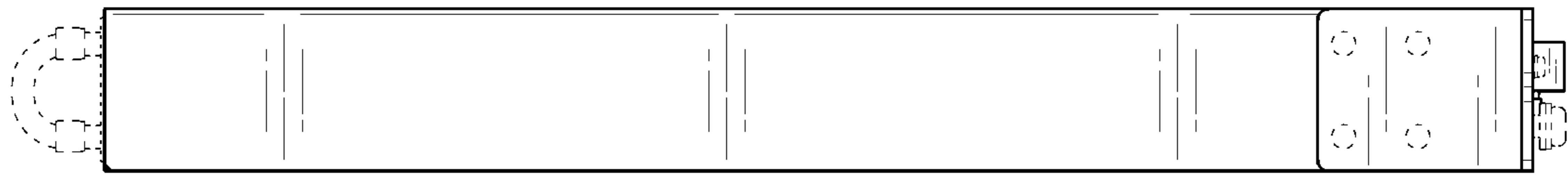


FIG. 5

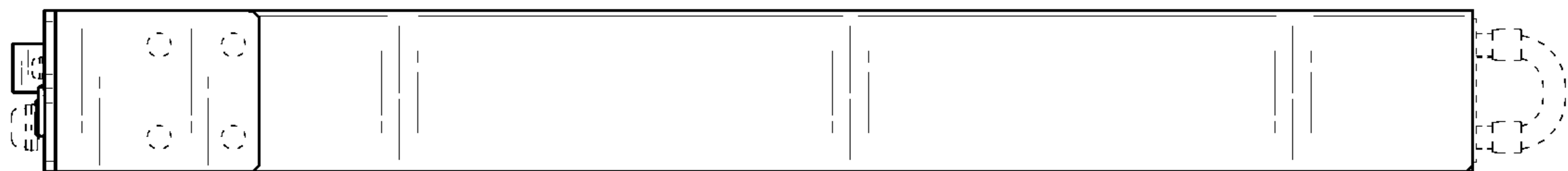


FIG. 6

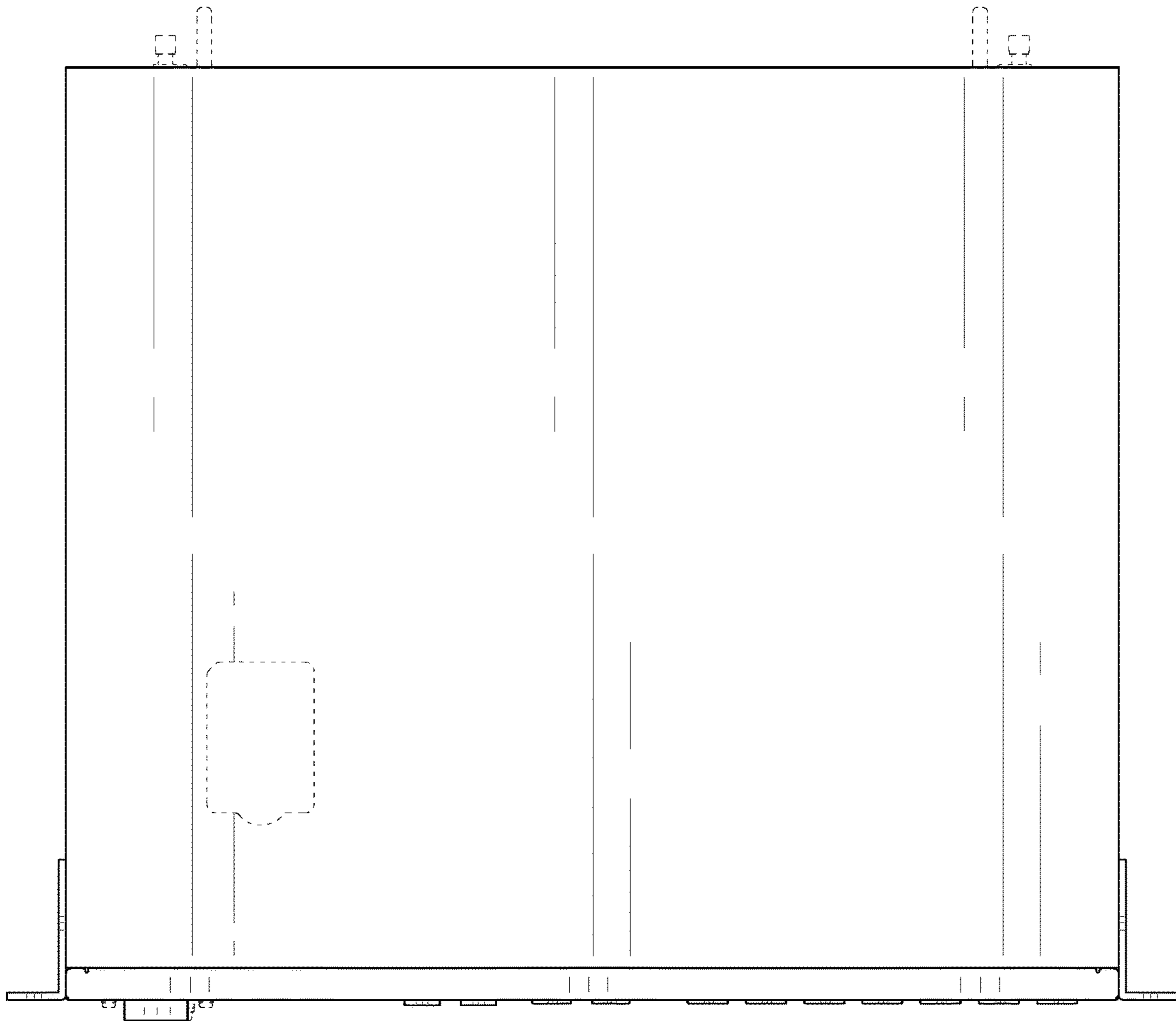


FIG. 7

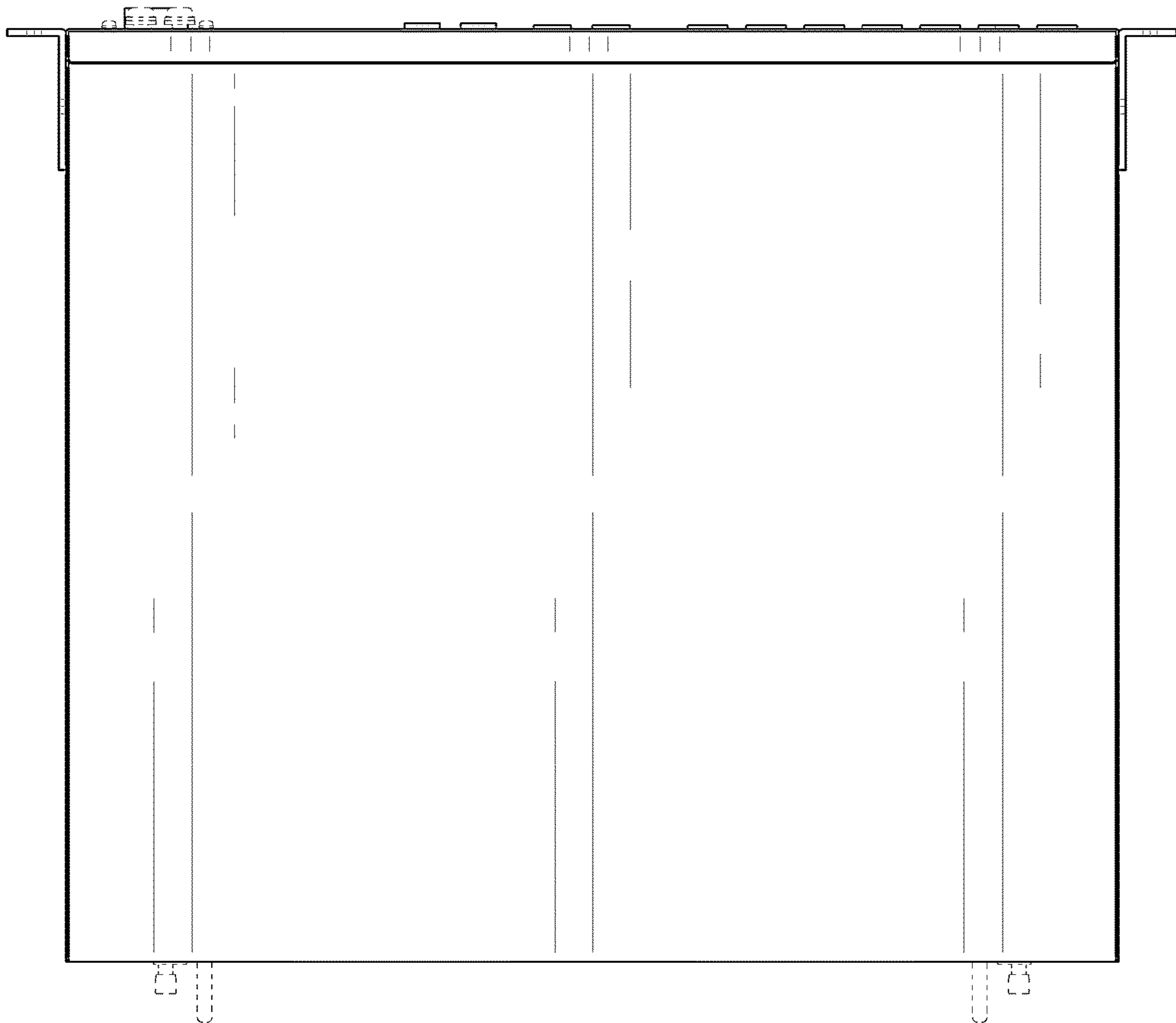




FIG. 8

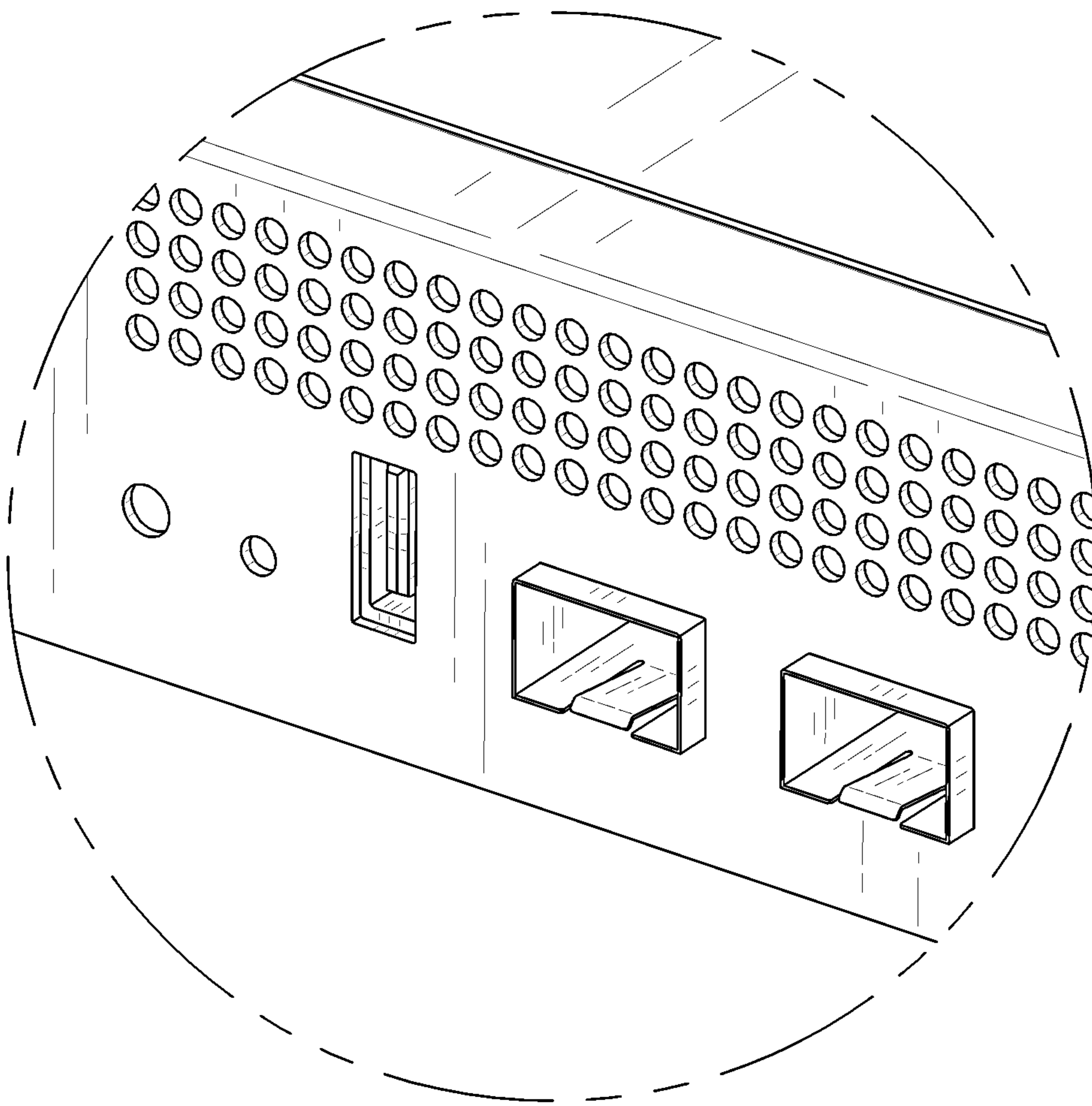




FIG. 9

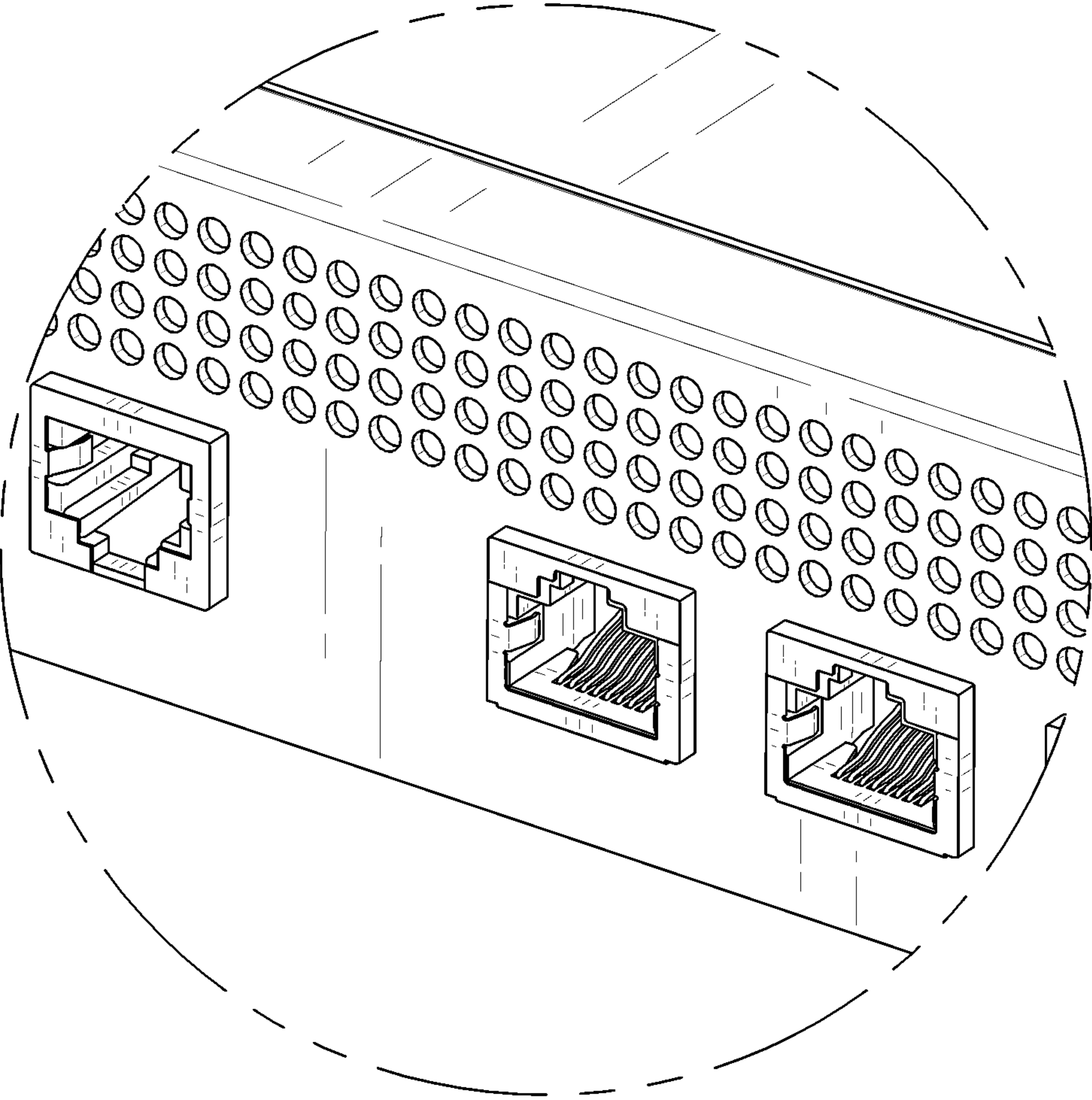


FIG. 10

